
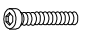

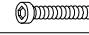

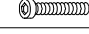










Assembly Instructions

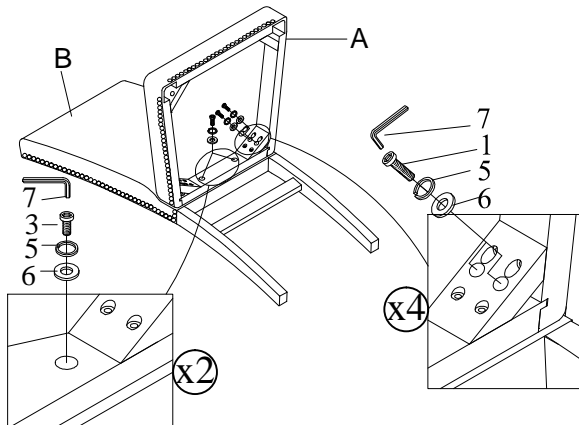
5PC 42" MARBLE FINISH COUNTER TABLE & 4 CHAIRS

Thank you for purchasing this quality product. Be sure to check all packing materials carefully for small parts, which may have come loose inside the carton during shipment. Identify and count all items and compare with the parts list and/or hardware list shown below.

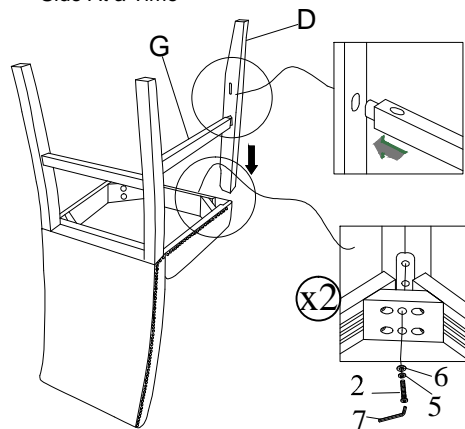
PARTS LIST				HARDWARE LIST			
No.	DESCRIPTION	SKETCH	Q'TY	No.	DESCRIPTION	SKETCH	Q'TY
A	SEAT FRAME WITH CUSHION		4	1	ALLEN BOLT (5/16" x 3-1/4"mm)		16
B	BACK FRAME WITH CUSHION		4	2	ALLEN BOLT (5/16" x 2-1/4"mm)		16
C	FRONT LEFT LEG		4	3	ALLEN BOLT (5/16" x 1-1/2"mm)		8
D	FRONT RIGHT LEG		4	4	SCREW (35mm)		24
E	FRONT STRETCHER		4	5	SPRING WASHER (5/16")		40
F	LEFT STRETCHER		4	6	FLAT WASHER (5/16")		40
G	RIGHT STRETCHER		4	7	ALLEN KEY M5		4

DO NOT TIGHTEN LEGS UNTIL THE CHAIR IS FULLY ASSEMBLED

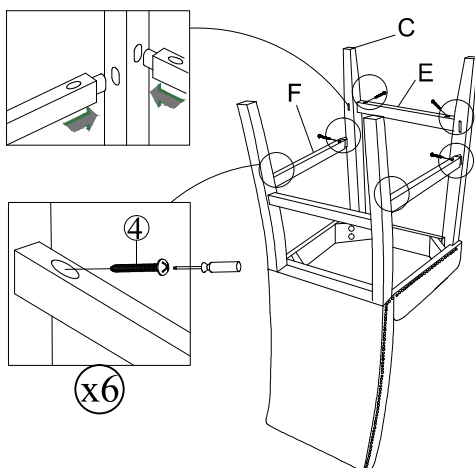
STEP : 1 Attach Seat Cushion to back Frame



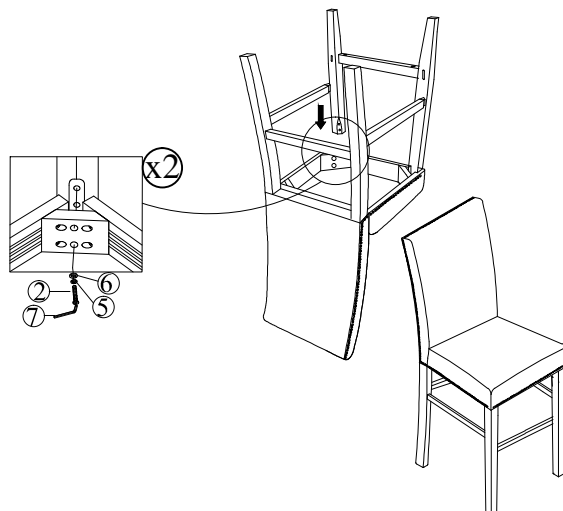
STEP : 2 Insert Front Legs into Seat Frame One Side At a Time



STEP : 3





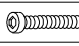
STEP : 4



Assembly Instructions

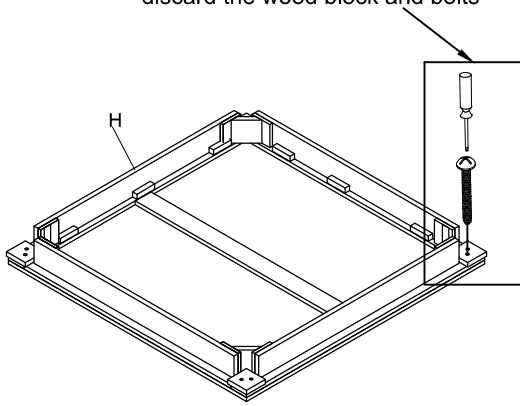
5PC 42" MARBLE FINISH COUNTER TABLE & 4 CHAIRS

PARTS LIST			
No.	DESCRIPTION	SKETCH	Q'TY
H	TABLE TOP		1
I	TABLE LEG		4

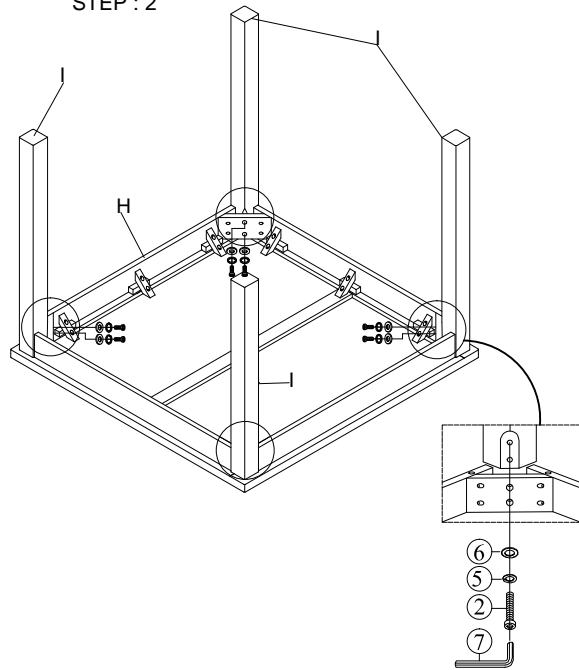
HARDWARE LIST			
No.	DESCRIPTION	SKETCH	Q'TY
2	ALLEN BOLT (5/16" x2-1/4"mm)		8
5	SPRING WASHER (5/16 ")		8
6	FLAT WASHER (5/16 ")		8
7	ALLEN KEY M5		1

STEP : 1

" Move out the corner wood block and discard the wood block and bolts"



STEP : 2



STEP : 3

