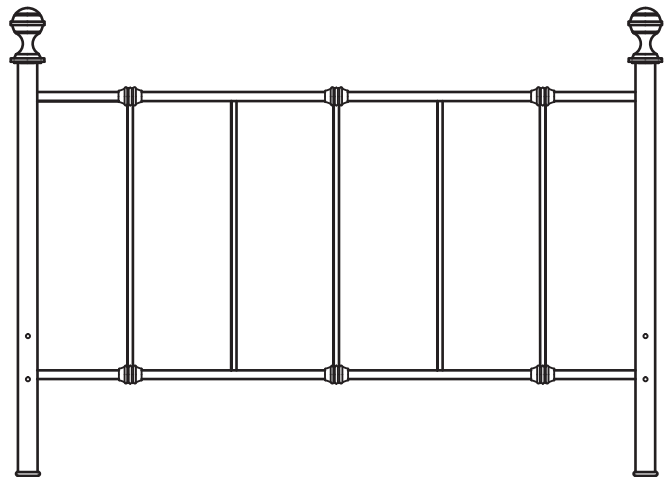
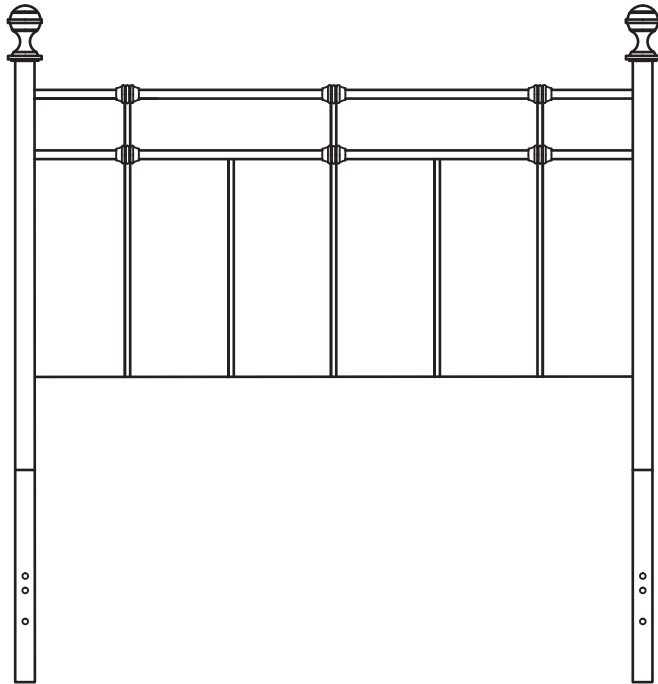


HEADBOARD & HEADBOARD/FOOTBOARD

ASSEMBLY INSTRUCTIONS



HEADBOARD & HEADBOARD/FOOTBOARD

BEFORE YOU BEGIN

Save all packaging materials until product is fully assembled. Hardware and small pieces may not be seen and could be accidentally discarded with packaging materials.

Follow the instructions carefully as deviation from them may void your warranty and present a possible safety risk.

It is recommended that assembly is done on a soft surface like carpet to avoid damage.

CARE INSTRUCTIONS

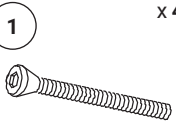
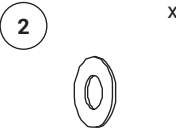
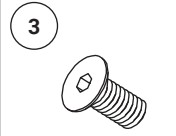
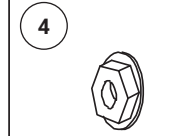
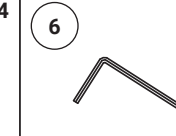
Simply wipe with a damp cloth.

ENJOY YOUR NEW FURNITURE!

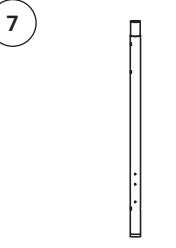
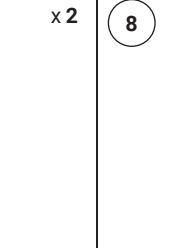
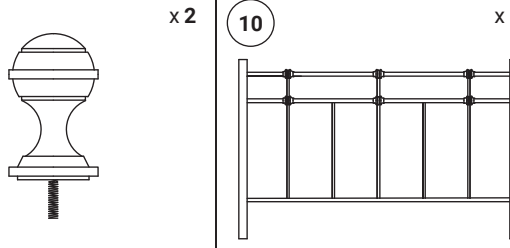
We take pride in hand crafting each product for our customers and strive to make your experience easy and enjoyable. We hope you enjoy your new piece of furniture!

PARTS LIST FOR HEADBOARD

INCLUDED IN HARDWARE BAG

 <p>1 x 4</p> <p>2 3/4" COUNTERSUNK ALLEN HEAD SCREW</p>	 <p>2 x 8</p> <p>2 5/8" OD FLAT WASHER</p>	 <p>3 x 4</p> <p>1/2" FLAT ALLEN HEAD SCREW</p>	 <p>4 x 4</p> <p>1/4" 20 HEX NUT</p>	 <p>6 x 1</p> <p>ALLEN WRENCH</p>
---	---	--	---	---

INCLUDED IN CARTON

 <p>7 x 2</p> <p>LEG EXTENSION</p>	 <p>8 x 2</p> <p>FINIAL</p>	 <p>10 x 1</p> <p>HEADBOARD PANEL</p>
---	--	---

BED FRAME/FOUNDATION IS NOT INCLUDED

SAVE ALL PACKAGING MATERIALS UNTIL PRODUCT IS FULLY ASSEMBLED. HARDWARE AND SMALL PIECES MAY NOT BE SEEN AND COULD BE ACCIDENTALLY DISCARDED WITH PACKAGING MATERIALS.

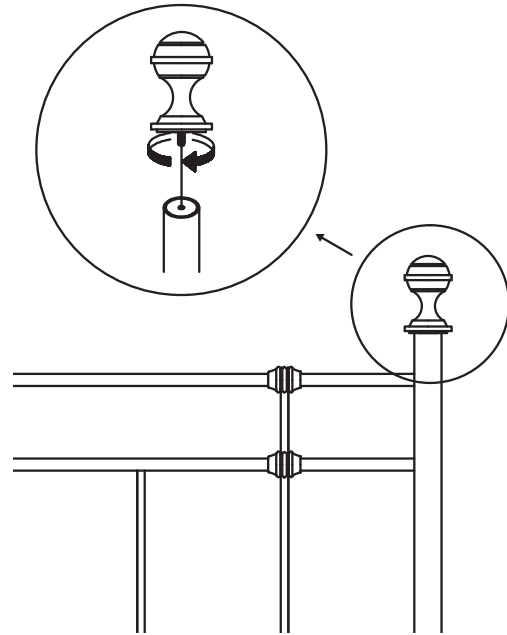
ASSEMBLY INSTRUCTIONS FOR HEADBOARD

STEP 1

Screw finials (8) into the posts of the headboard (10).

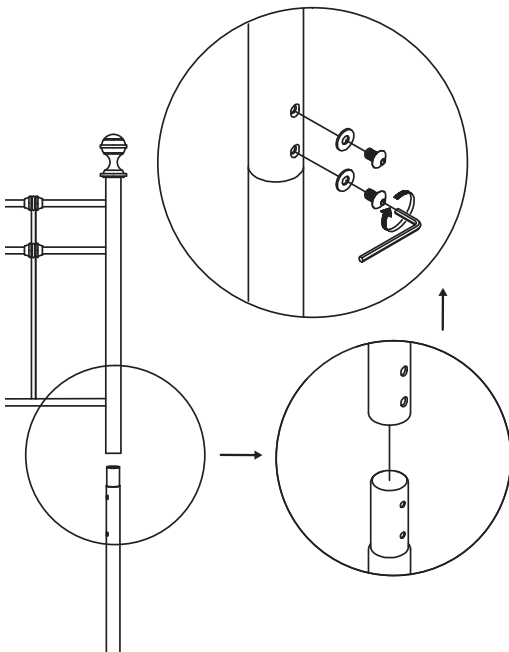
Align top of leg extension (7) with bottom of posts of headboard (10). Make sure the three holes of the leg extension (7) are perpendicular to headboard (10).

Carefully insert leg extensions (7) into bottom of posts of headboard (10) and align the two holes.



STEP 2

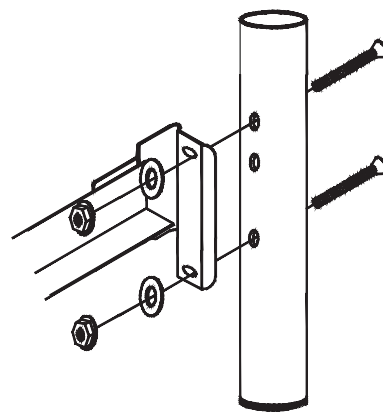
Place a flat metal washer (2) on each screw (3). Insert screws into each of the two holds, and tighten all screws (3) securely using the provided allen wrench (6).



STEP 3

Place headboard (10) and frame (not included) in desired location in room. Place screws (1) through the two holes located in leg extension (7). Align frame bracket over screws. Place a flat washer (2) and nut (4) on each screw, and hand-tighten screws. **DO NOT TIGHTEN** screws all the way.

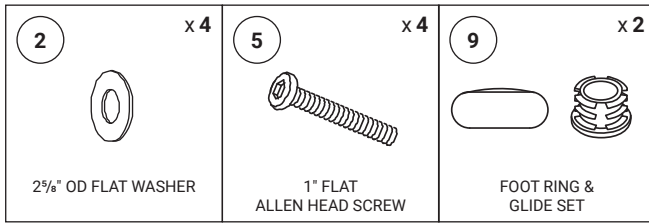
Repeat on other side of headboard (10). Tighten all screws securely using the allen wrench(6).



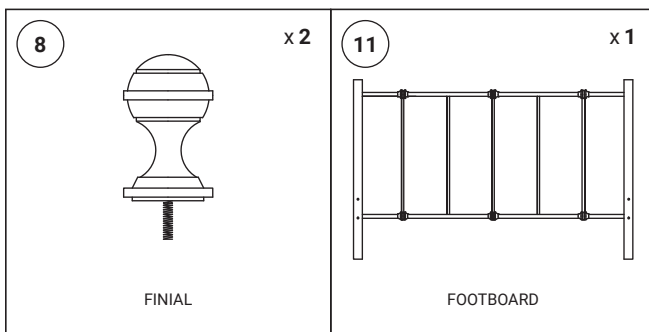
Purchased a headboard/footboard combo? Continue to page 5.

PARTS LIST FOR
FOOTBOARD

INCLUDED IN HARDWARE BAG



INCLUDED IN CARTON



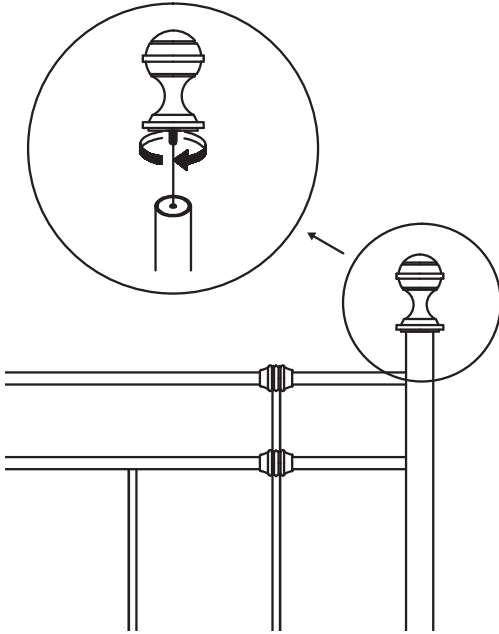
BED FRAME/FOUNDATION IS NOT INCLUDED

SAVE ALL PACKAGING MATERIALS UNTIL PRODUCT IS FULLY ASSEMBLED. HARDWARE AND SMALL PIECES MAY NOT BE SEEN AND COULD BE ACCIDENTALLY DISCARDED WITH PACKAGING MATERIALS.

ASSEMBLY INSTRUCTIONS FOR **FOOTBOARD**

STEP 4

Screw finals (8) into the posts of footboard (11).

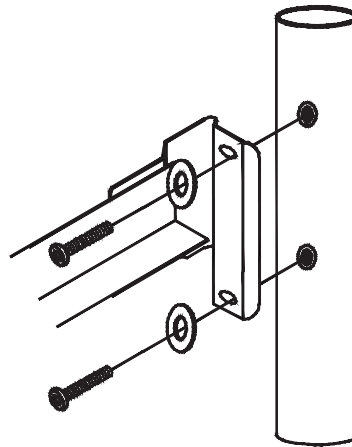


STEP 5

Position footboard panel (11) and align holes in the post with holes in frame (not included) bracket.

Place a flat washer (2) and nut (5) on each screw, and hand-tighten screws. **DO NOT TIGHTEN** screws all the way.

Repeat on other side of footboard (11). Tighten all screws securely using the allen wrench (6).



STEP 6

Place foot ring (9) over the bottom of the post of the footboard (11). Insert the foot glide (9) into the bottom of the post.

Repeat on other side of footboard (11).

