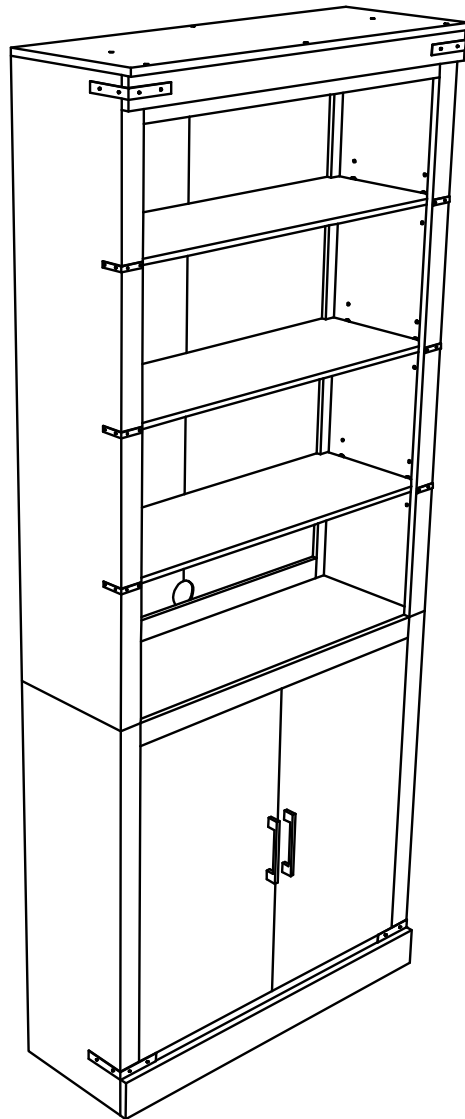


# ASSEMBLY INSTRUCTIONS

N751P346154

N751P346155

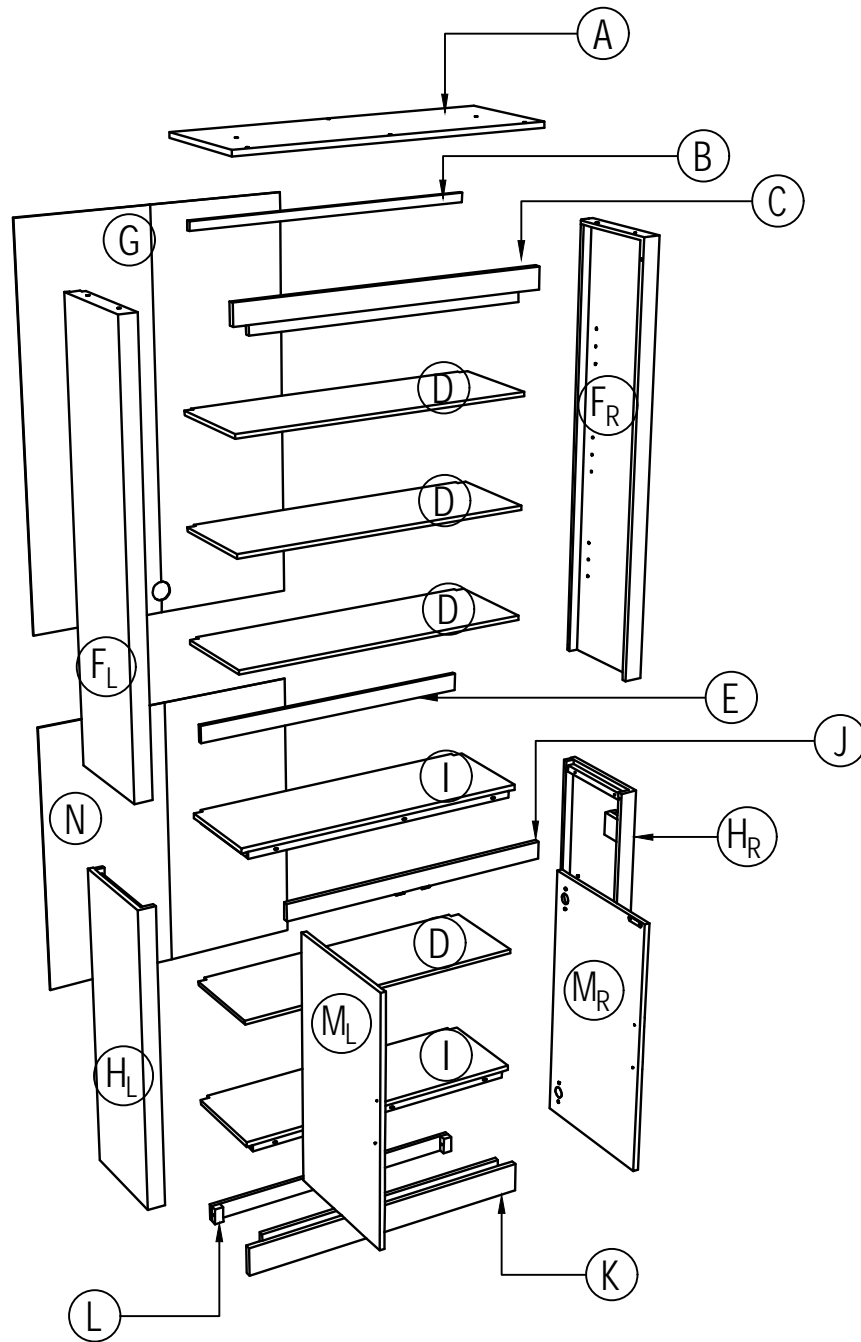


# ASSEMBLY INSTRUCTIONS

## COMPONENTS - KEY DIAGRAM

N751P346154

N751P346155



# ASSEMBLY INSTRUCTIONS

PART LIST - N751P346154

(A)



1 pc

(B)



1 pc

(C)



1 pc

(D)



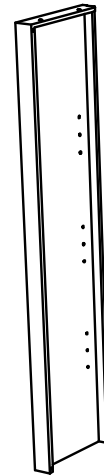
3 pcs

(E)



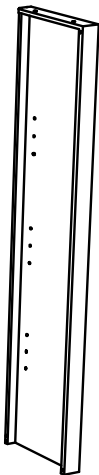
1 pc

(F<sub>L</sub>)



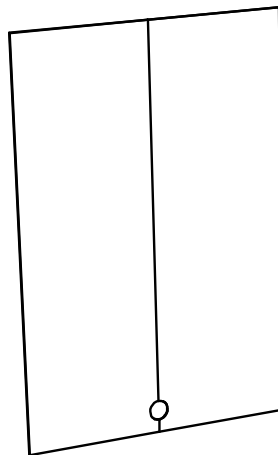
1 pc

(F<sub>R</sub>)

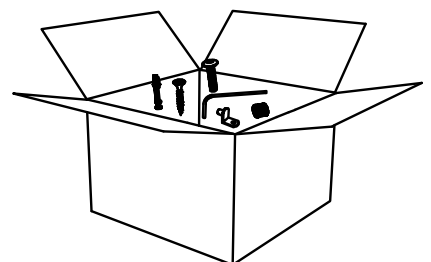


1 pc

(G)



1 pc



HARDWARE

# ASSEMBLY INSTRUCTIONS

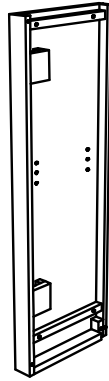
PART LIST - N751P346155

(D)



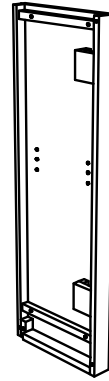
1 pc

(H<sub>L</sub>)



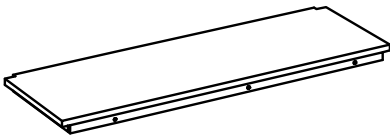
1 pc

(H<sub>R</sub>)



1 pc

(I)



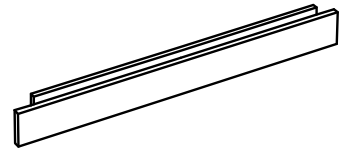
2 pcs

(J)



1 pc

(K)



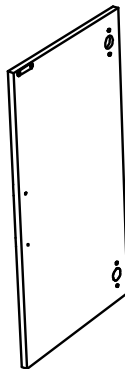
1 pc

(L)



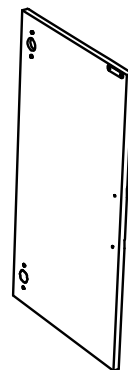
1 pc

(M<sub>L</sub>)



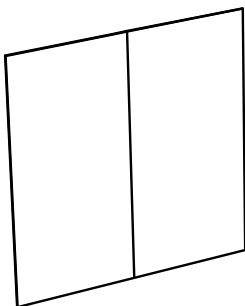
1 pc

(M<sub>R</sub>)



1 pc












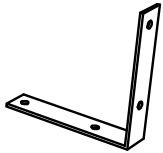


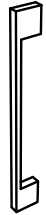
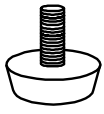

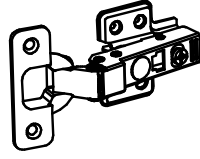
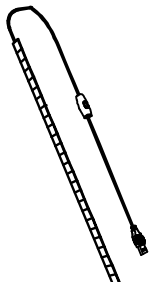

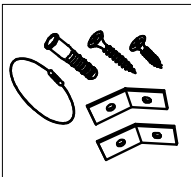
(N)



1 pc

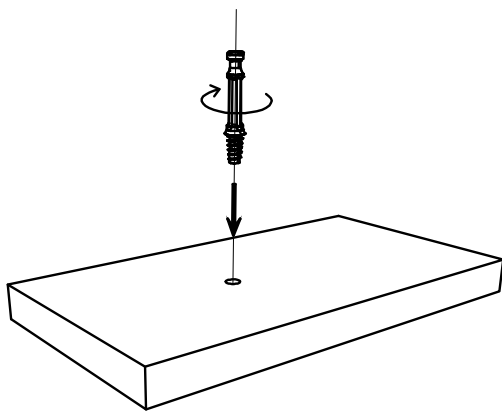
# ASSEMBLY INSTRUCTIONS

## HARDWARE LIST

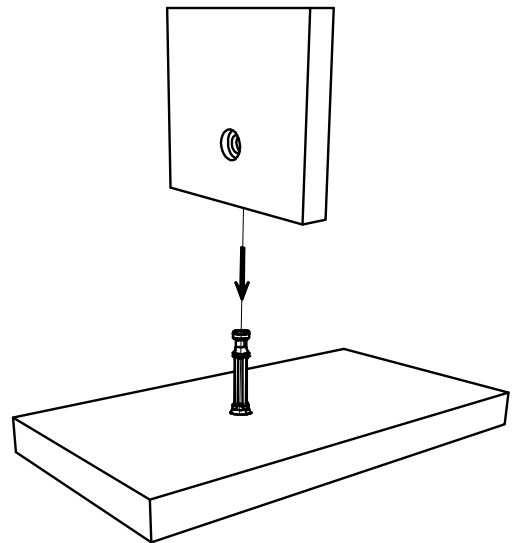
<p>①</p>  <p>Allen key (1pc)</p>	<p>②</p>  <p>Camlock pin (6pcs)</p>	<p>③</p>  <p>Camlock (6pcs)</p>	<p>④</p>  <p>6x30mm Bolt (24pcs)</p>	<p>⑤</p>  <p>6x16mm Washer (20pcs)</p>	<p>⑥</p>  <p>8x30mm Dowel (10pcs)</p>
<p>⑦</p>  <p>4x30mm Screw (4pcs)</p>	<p>⑧</p>  <p>4x20mm Screw (4pcS)</p>	<p>⑨</p>  <p>3x15mm Screw (70pcs)</p>	<p>⑩</p>  <p>3x10mm Screw (56pcs)</p>	<p>⑪</p>  <p>Shelf support latch (16pcs)</p>	<p>⑫</p>  <p>Angle bracket (4pcs)</p>
<p>⑬</p>  <p>Angle bracket (6pcs)</p>	<p>⑭</p>  <p>4x25mm Bolt (4pcs)</p>	<p>⑮</p>  <p>Handle (2pcs)</p>	<p>⑯</p>  <p>Height adjuster (4pcs)</p>	<p>⑰</p>  <p>20x80mm (2pcs)</p>	<p>⑱</p>  <p>Soft close hinge (4pcs)</p>
<p>⑲</p>  <p>LED light trip (1pc)</p>	<p>⑳</p>  <p>Screwdrivers (1pc)</p>	<p>㉑</p>  <p>2 SET Anti fall hardware (1pc)</p>			

# ASSEMBLY INSTRUCTIONS

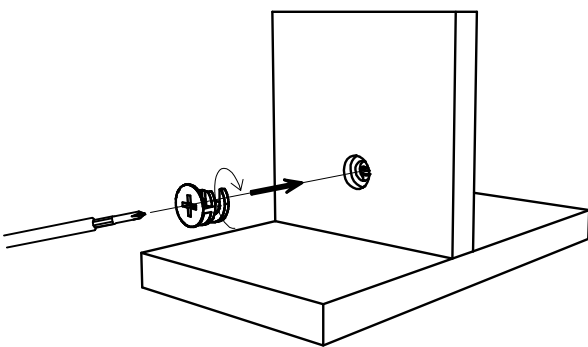
Typical way to install cam screws



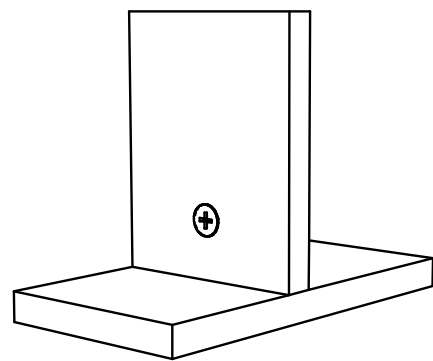
1



2



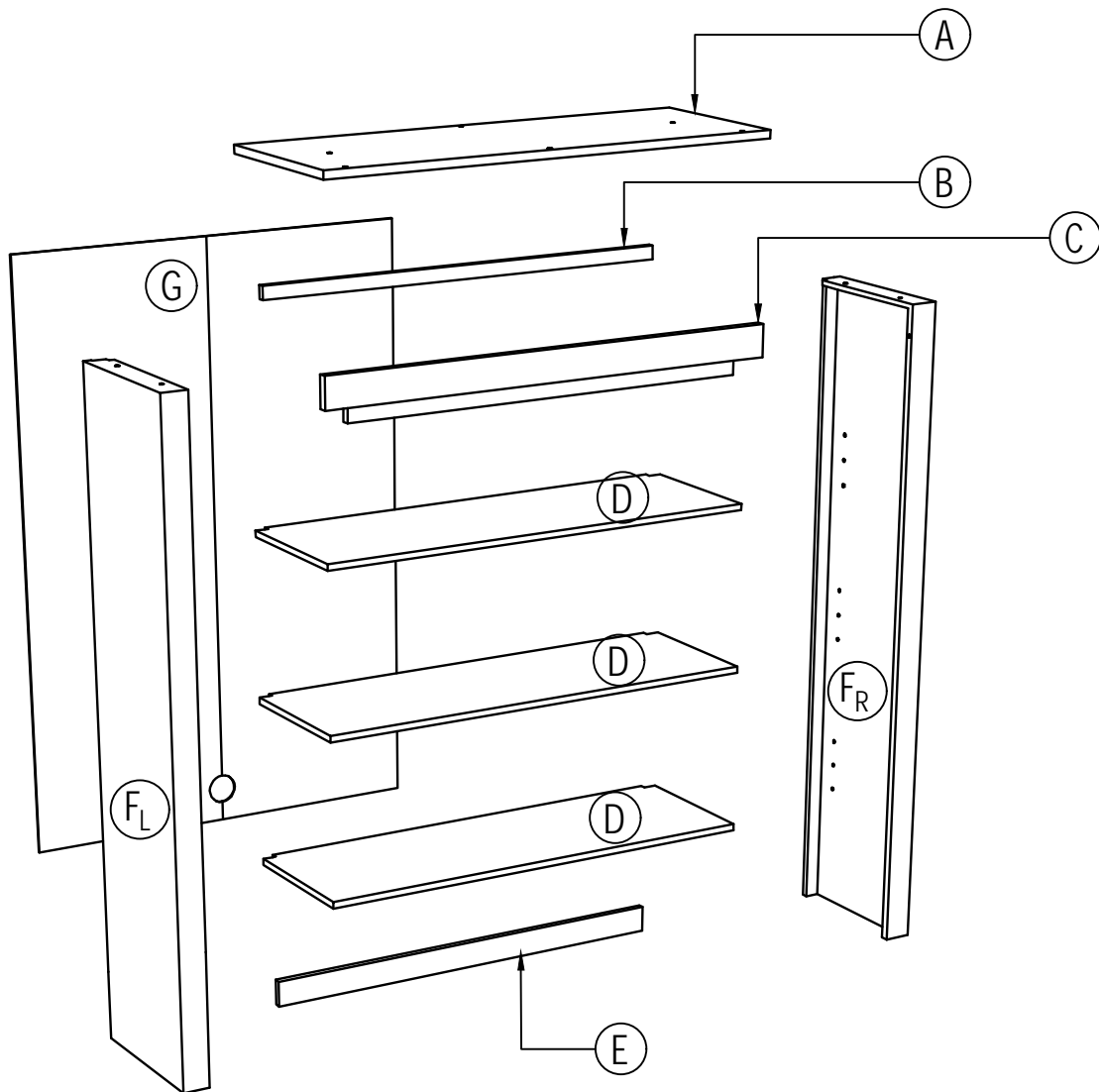
3



4. Done

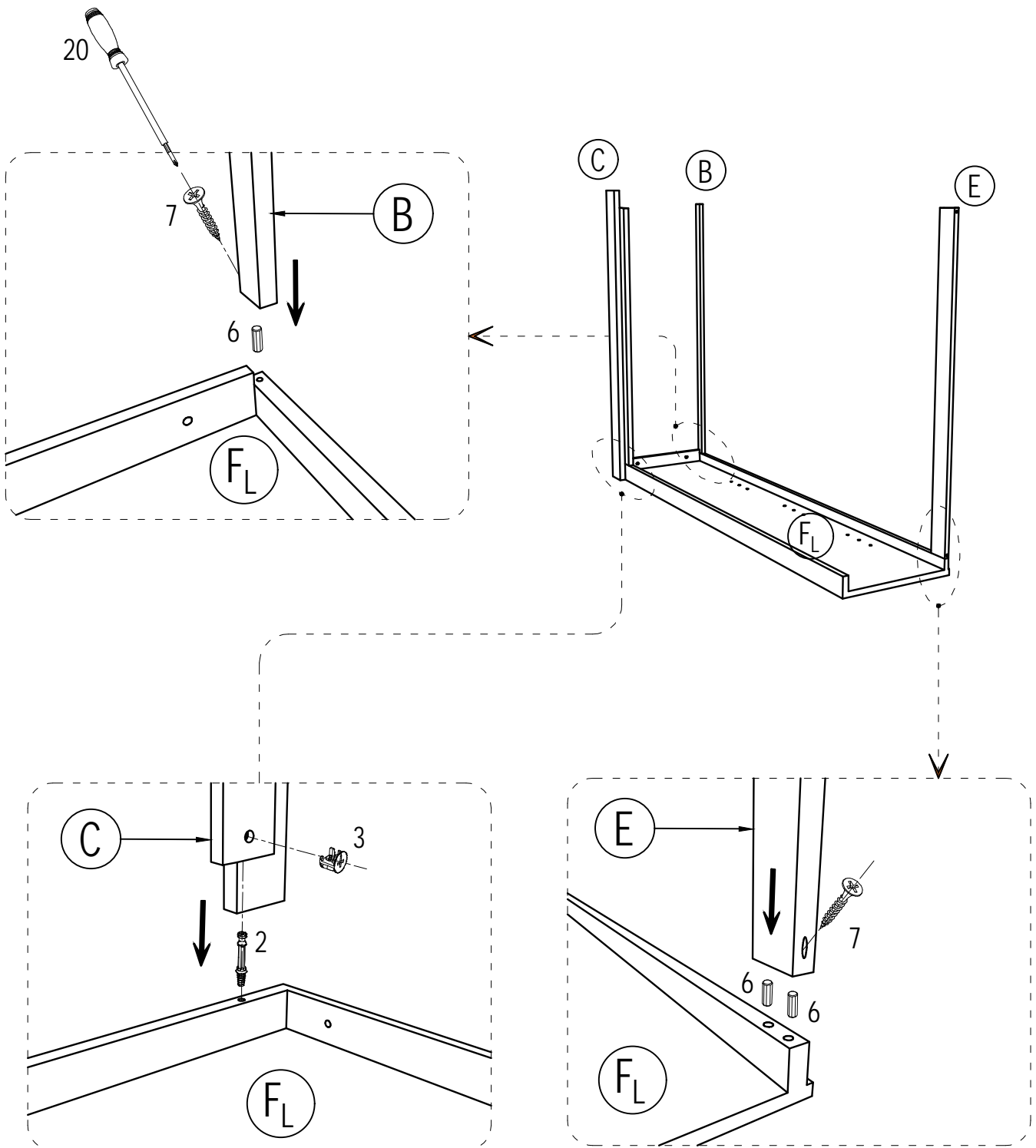
# ASSEMBLY INSTRUCTIONS






## COMPONENTS - KEY DIAGRAM N751P346154



# ASSEMBLY INSTRUCTIONS

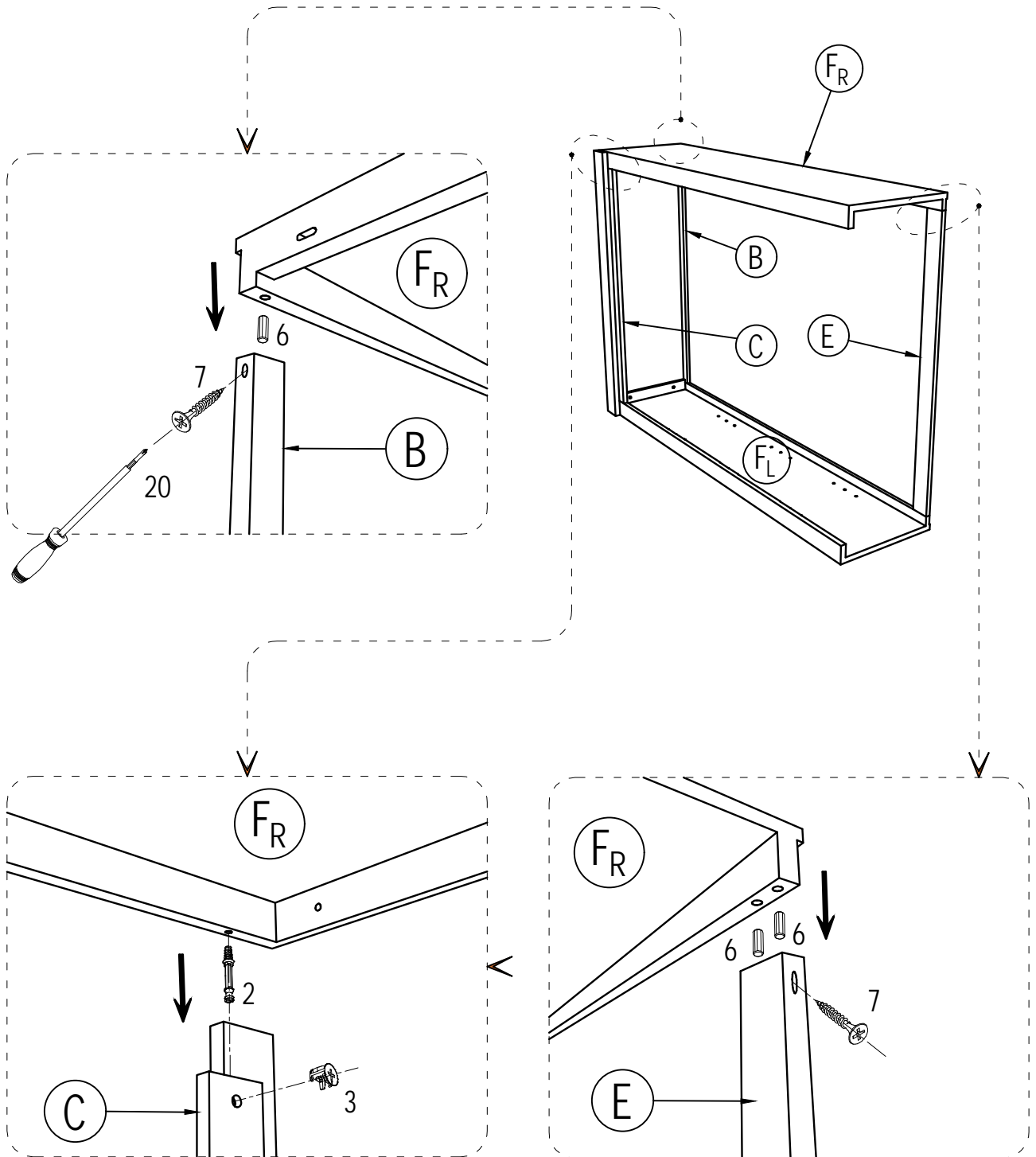
## STEP 1



<p>②</p>  <p>1 pc</p>	<p>③</p>  <p>1 pc</p>	<p>⑥</p>  <p>3 pcs</p>	<p>⑦</p>  <p>4x30mm 2 pcs</p>	<p>⑳</p> 
--	--	---	--	--

# ASSEMBLY INSTRUCTIONS

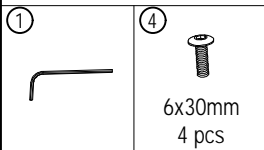
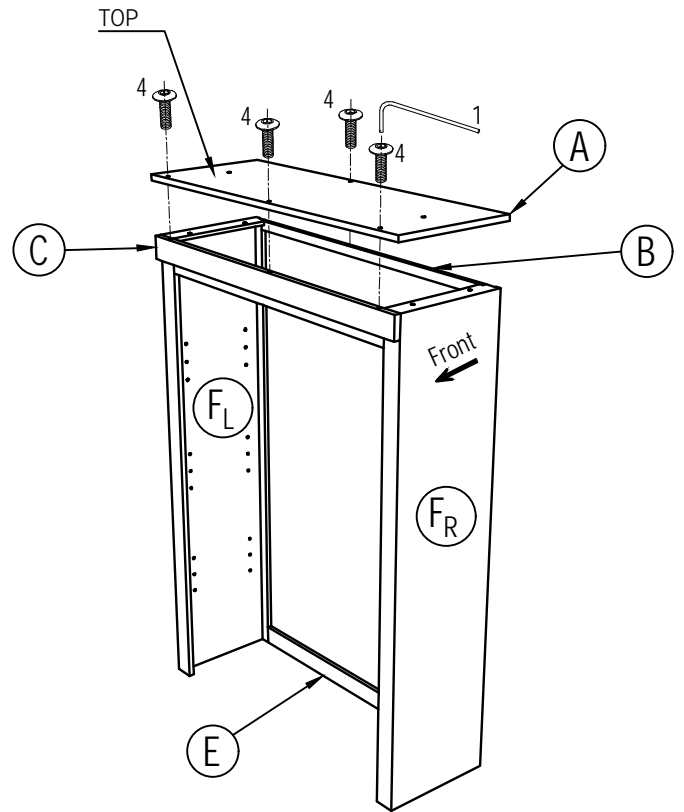
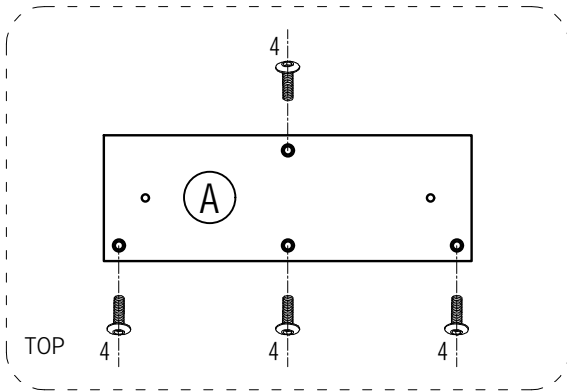
## STEP 2



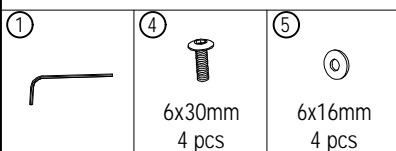
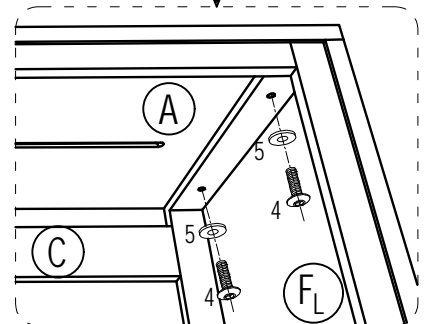
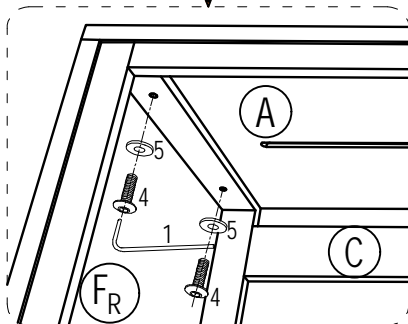
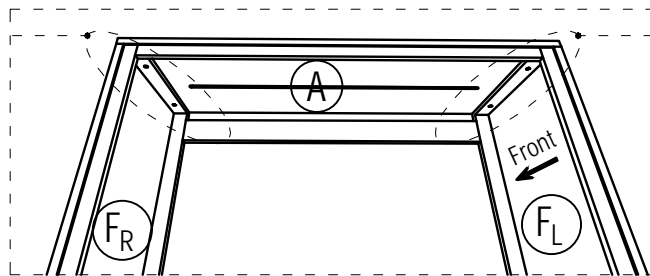
②	③	⑥	⑦	⑳
1 pc	1 pc	3 pcs	4x30mm 2 pcs	

# ASSEMBLY INSTRUCTIONS

## STEP 3

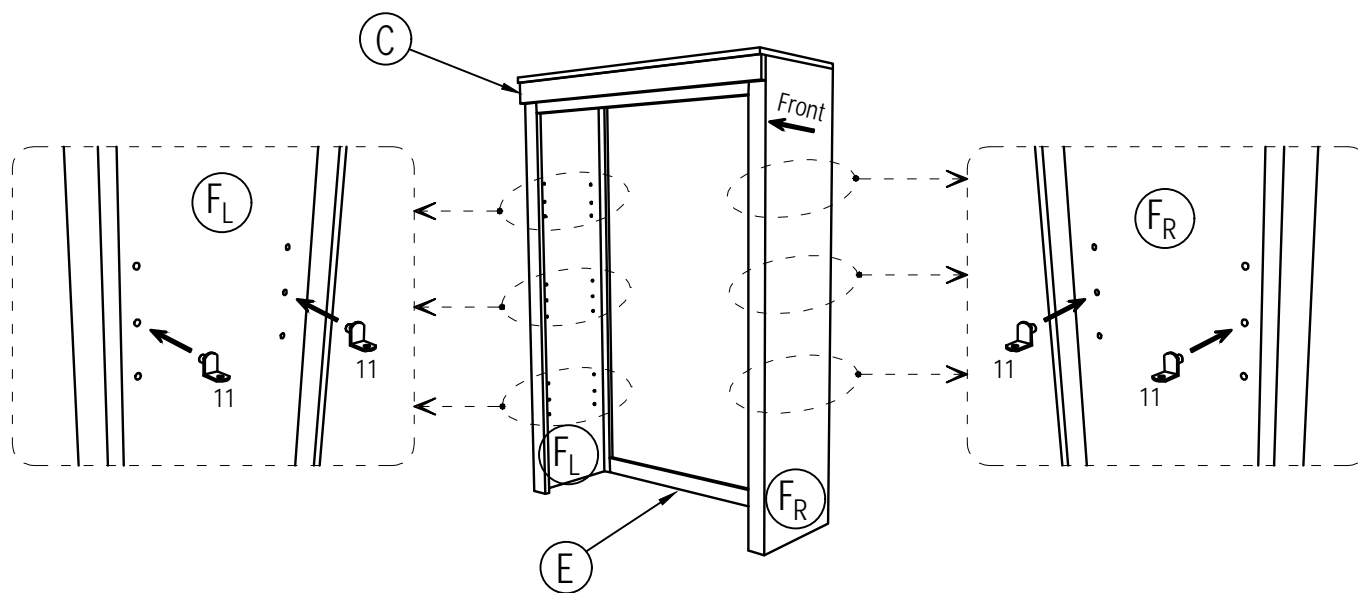


## STEP 4

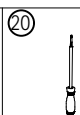
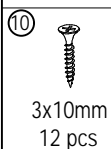
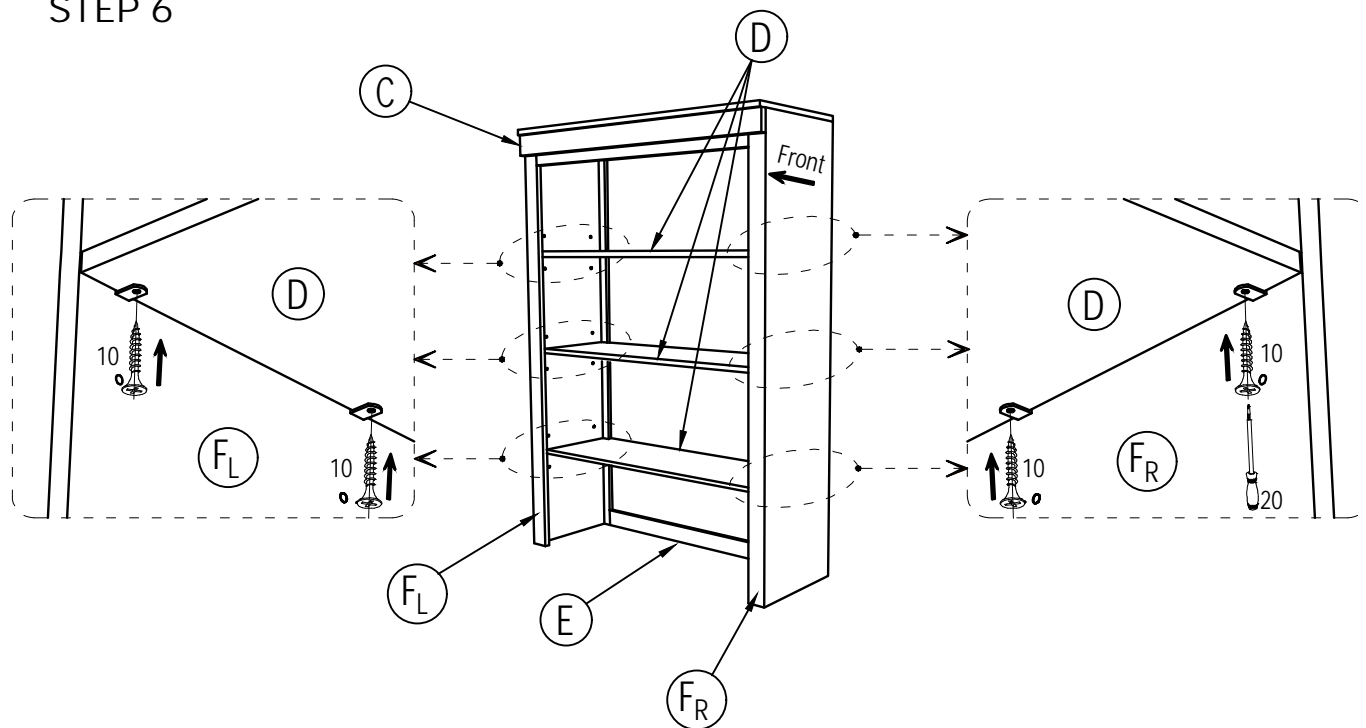


# ASSEMBLY INSTRUCTIONS

## STEP 5

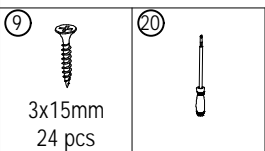
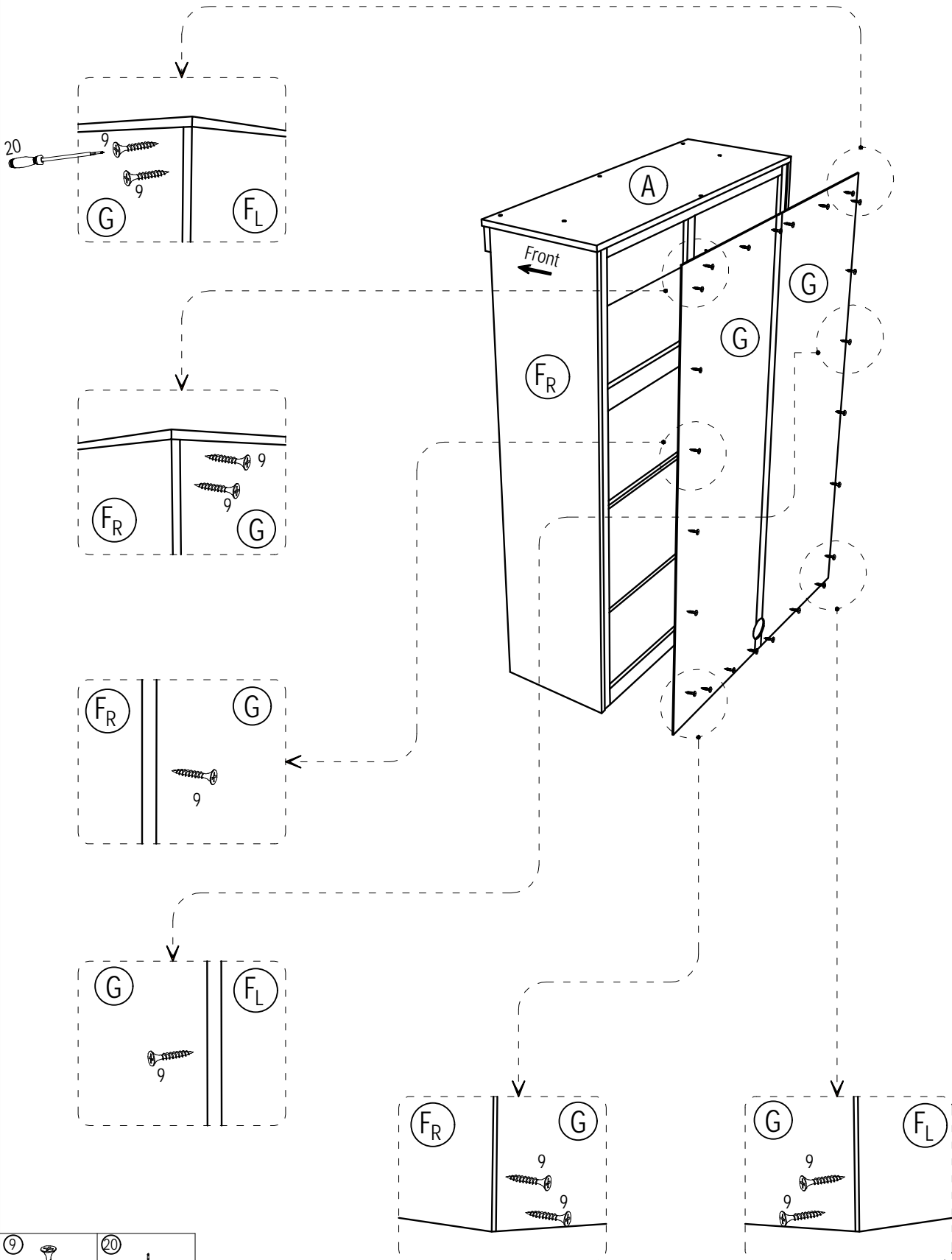


## STEP 6



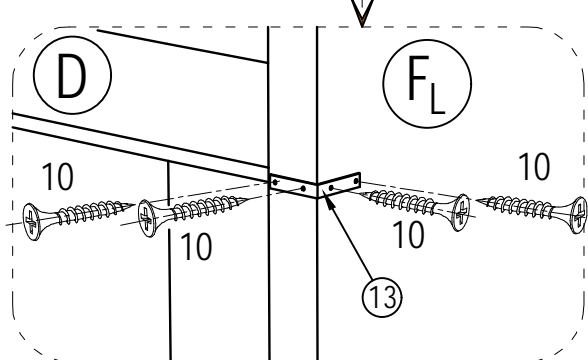
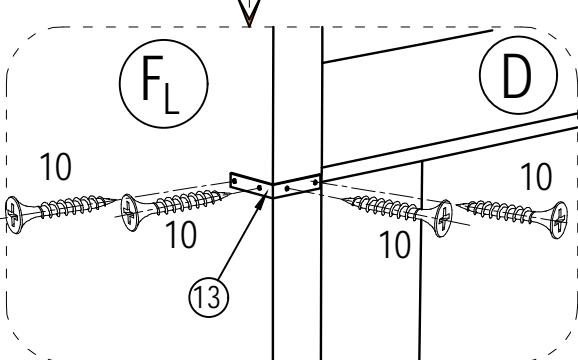
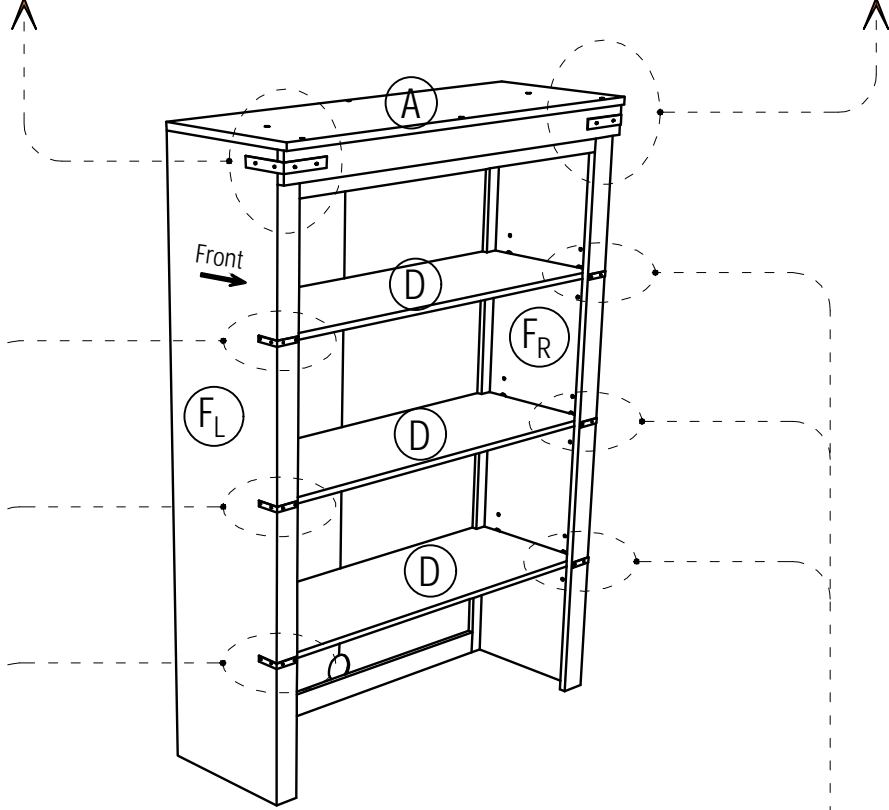
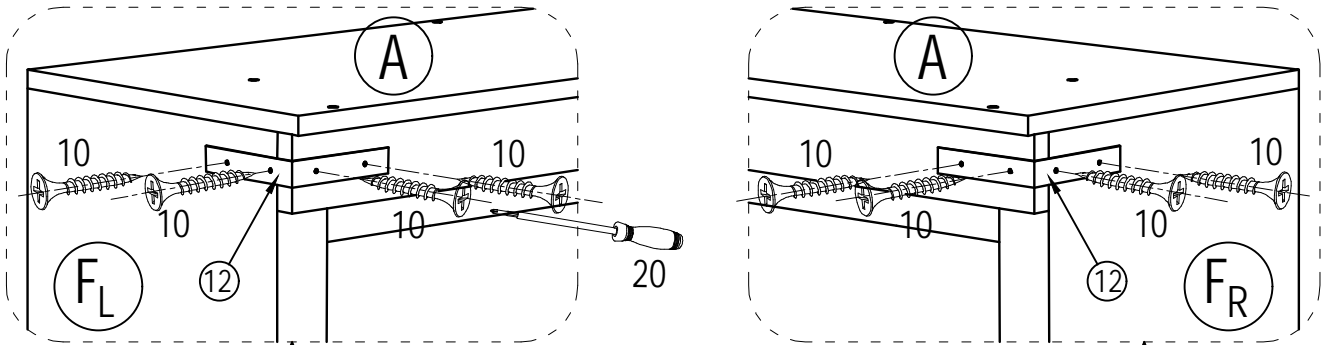
# ASSEMBLY INSTRUCTIONS

## STEP 7



# ASSEMBLY INSTRUCTIONS

## STEP 8

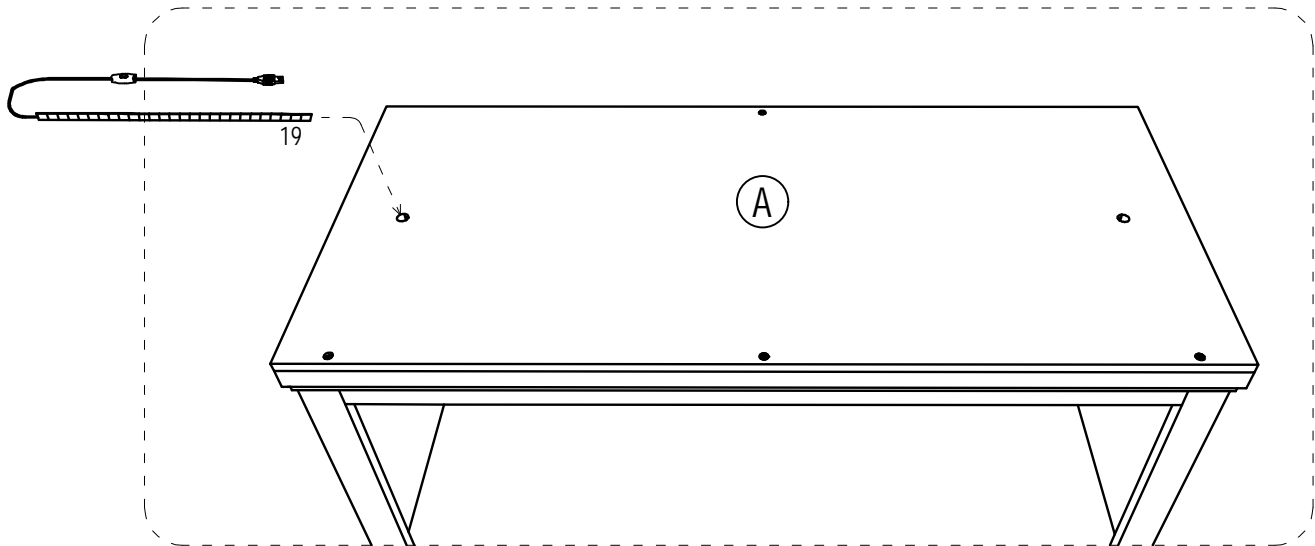


⑩		⑫		⑬		⑳	
	3x10mm 32 pcs		2 pcs		6 pcs		

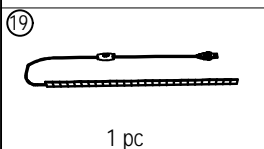
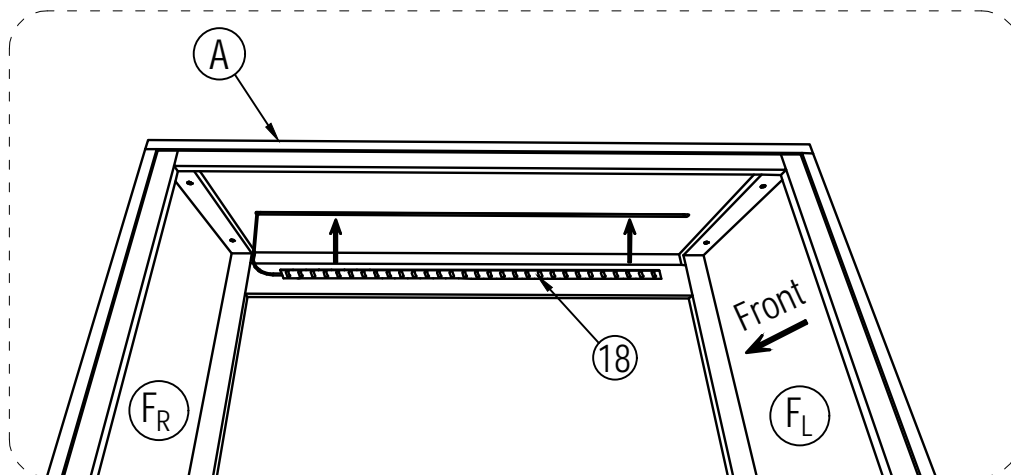
# ASSEMBLY INSTRUCTIONS

## STEP 9

1. Insert the LED strip into the hole



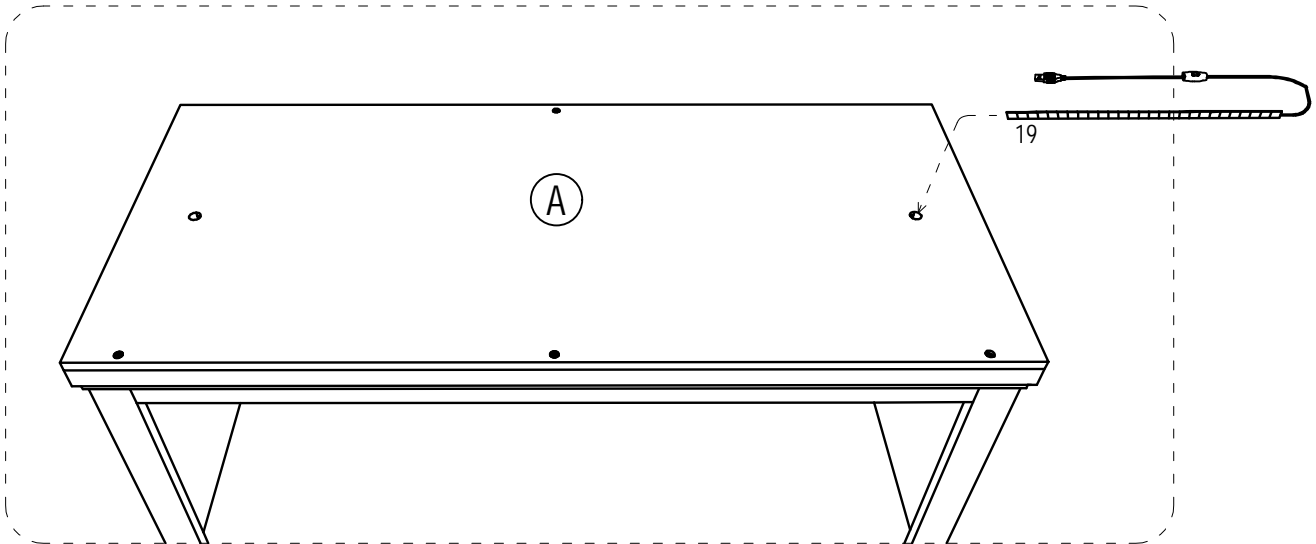
2. Paste the LED strip at the bottom of part A



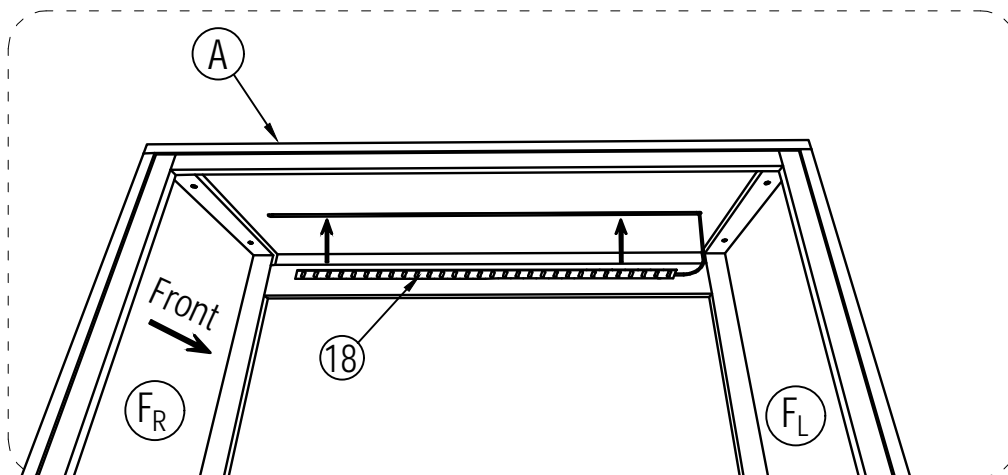
# ASSEMBLY INSTRUCTIONS

## OTHER WAYS TO INSTALL LED STRIP

1. Insert the LED strip into the hole

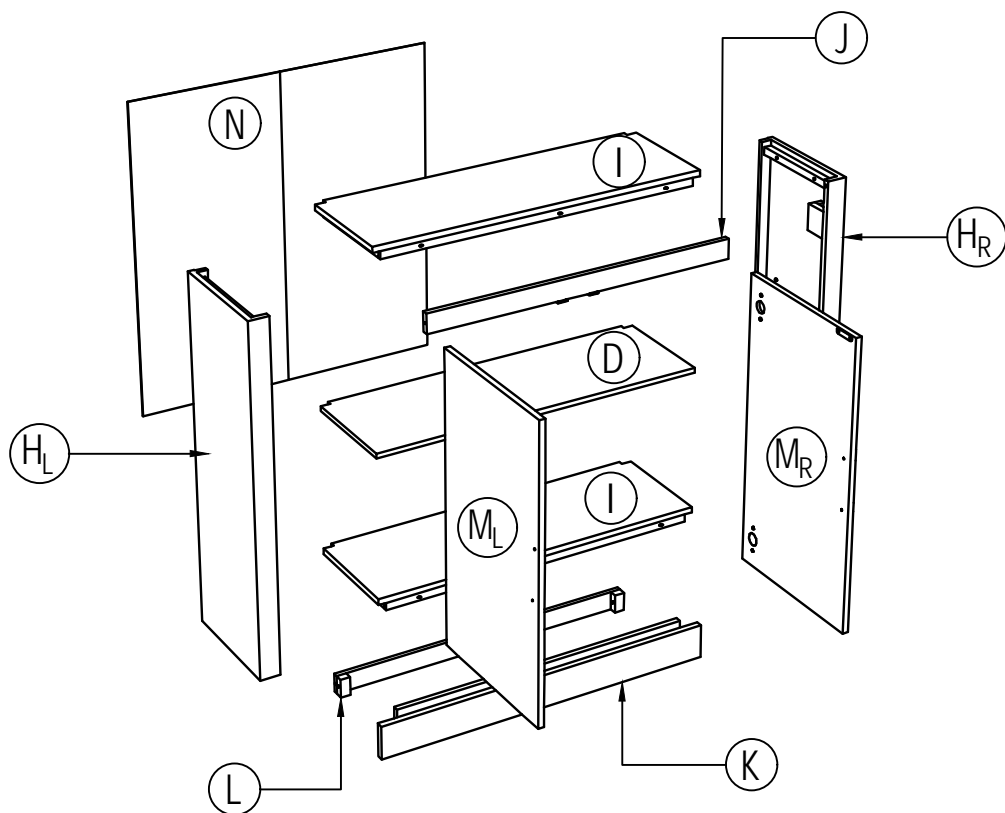


2. Paste the LED strip at the bottom of part A



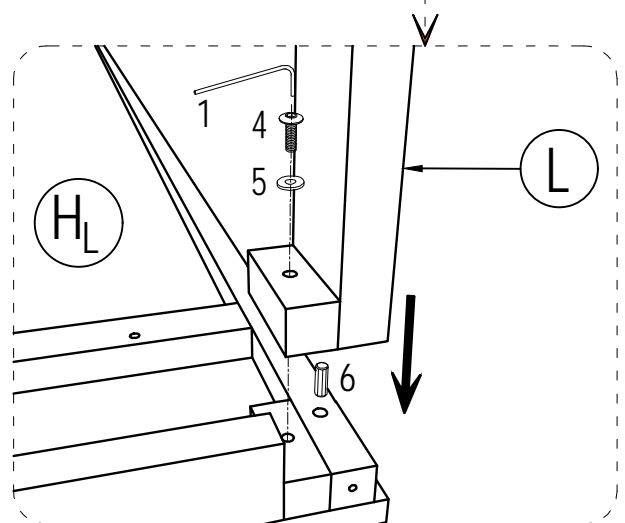
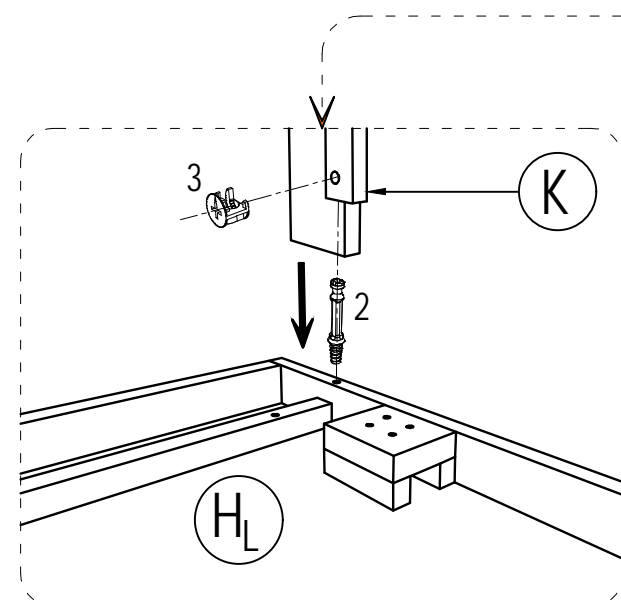
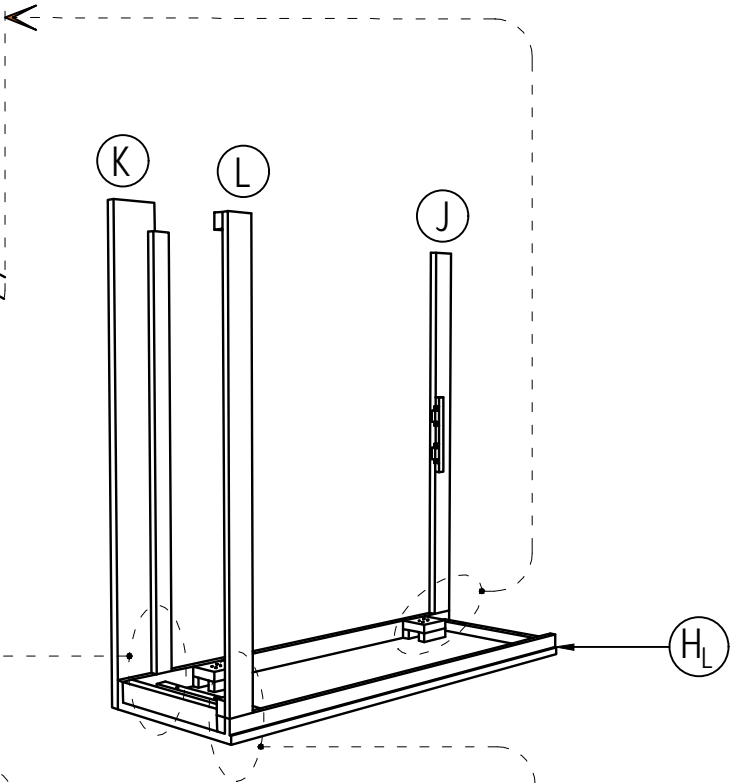
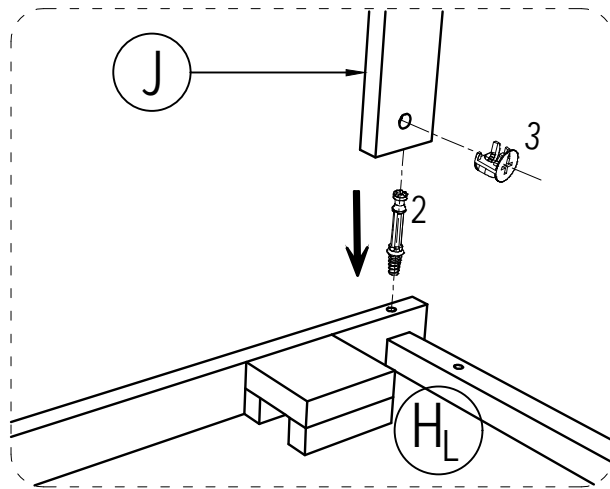
# ASSEMBLY INSTRUCTIONS

## COMPONENTS - KEY DIAGRAM N751P346155



# ASSEMBLY INSTRUCTIONS

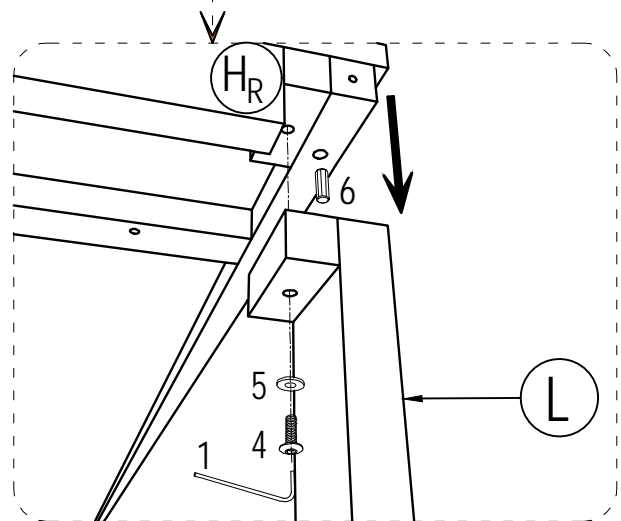
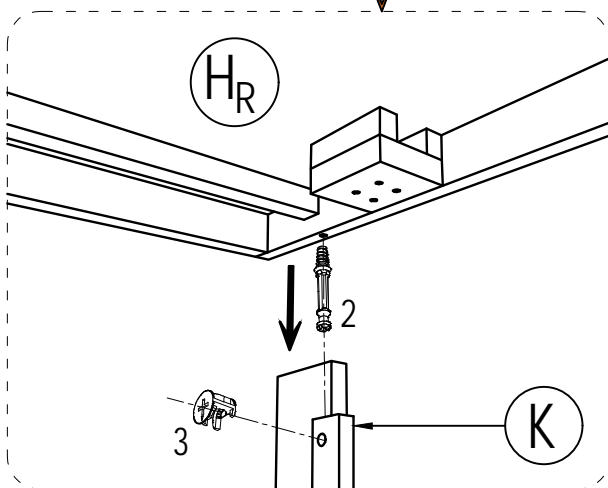
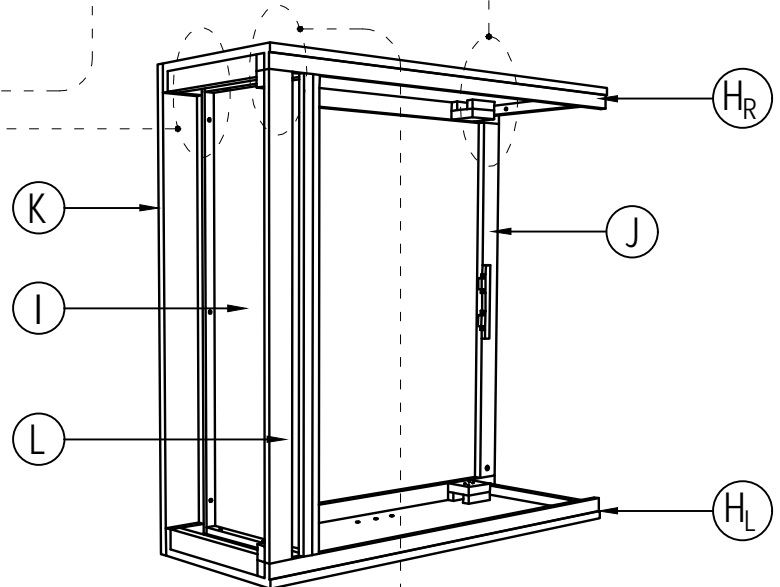
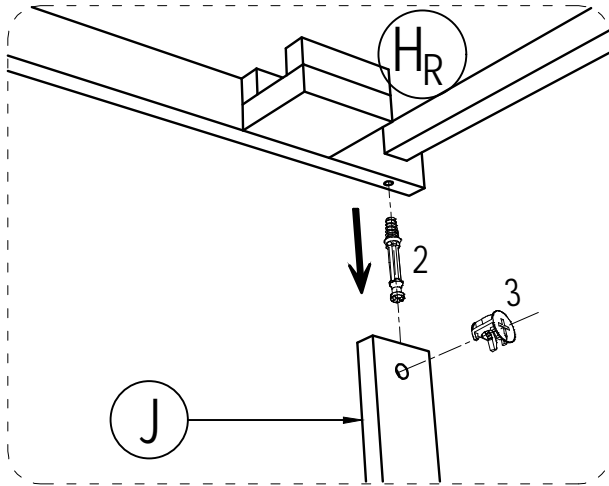
## STEP 10



①	②	③	④	⑤	⑥
	2 pc	2 pc	6x30mm 1 pc	6x16mm 1 pc	1 pc

# ASSEMBLY INSTRUCTIONS

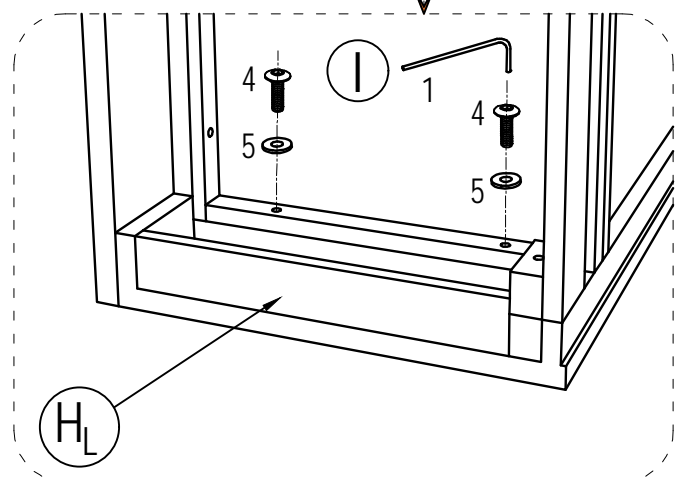
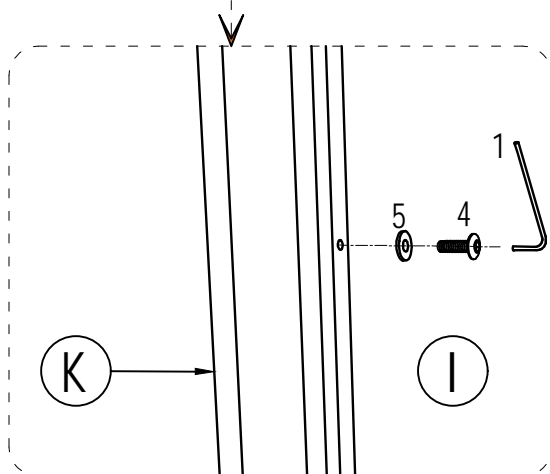
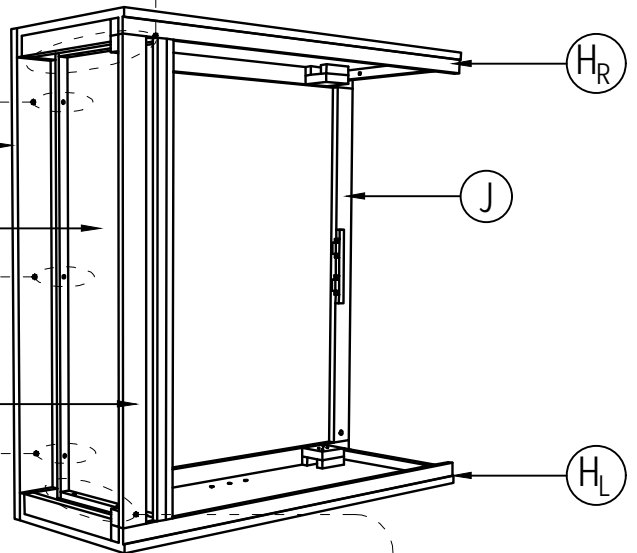
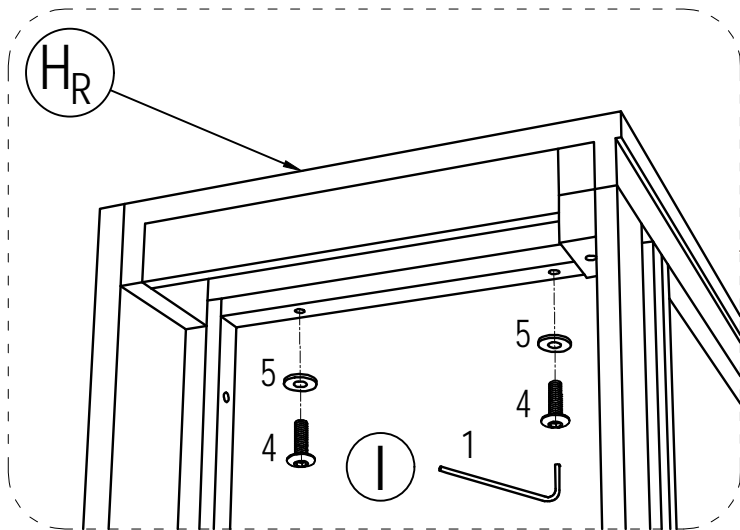
## STEP 11






①	②	③	④	⑤	⑥
	2 pc	2 pc	6x30mm 1 pc	6x16mm 1 pc	1 pc

# ASSEMBLY INSTRUCTIONS

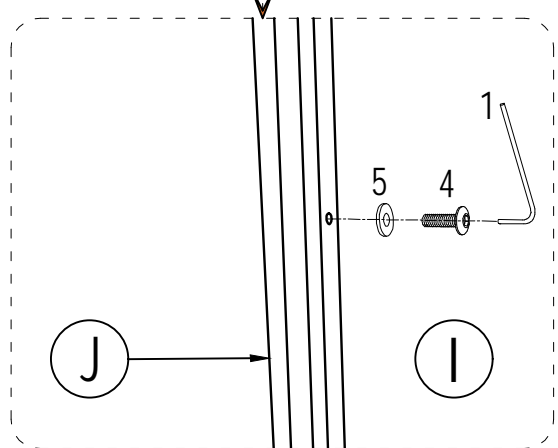
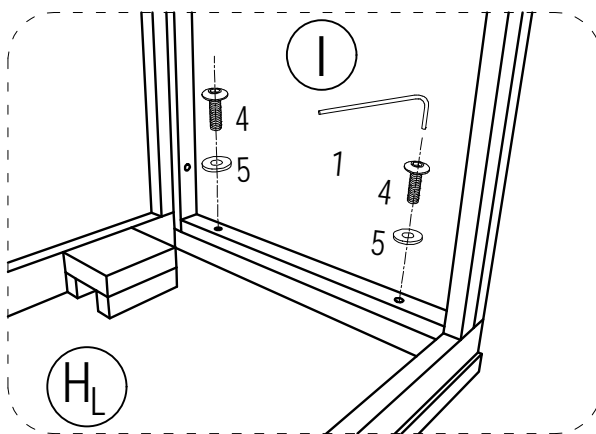
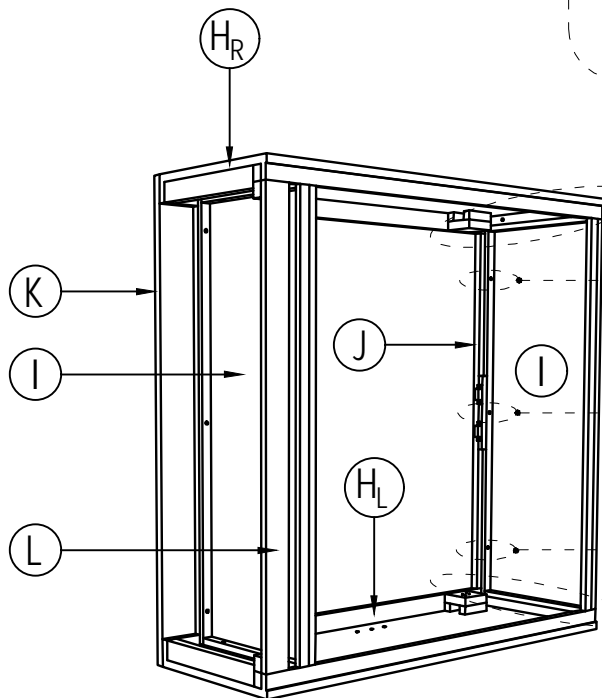
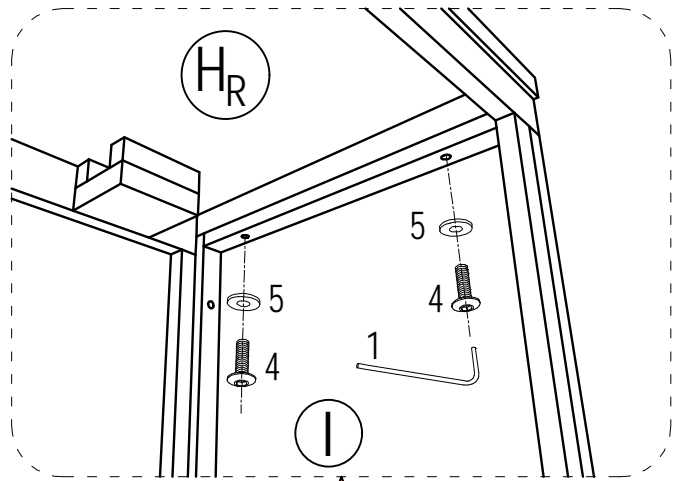
## STEP 12






<p>①</p> 	<p>④</p>  <p>6x30mm 7 pcs</p>	<p>⑤</p>  <p>6x16mm 7 pcs</p>
--	--	--

# ASSEMBLY INSTRUCTIONS

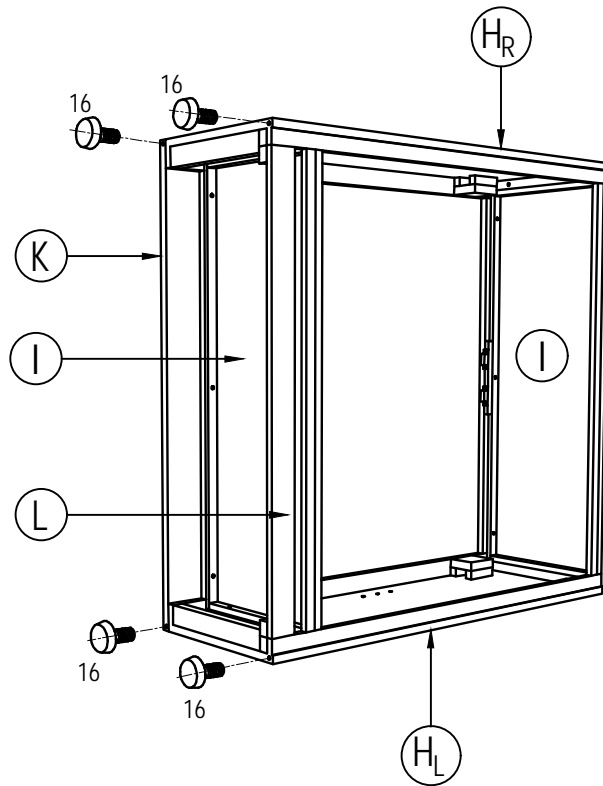
## STEP 13



<p>①</p> 	<p>④</p>  <p>6x30mm 7 pcs</p>	<p>⑤</p>  <p>6x16mm 7 pcs</p>
--	--	--

# ASSEMBLY INSTRUCTIONS

## STEP 14

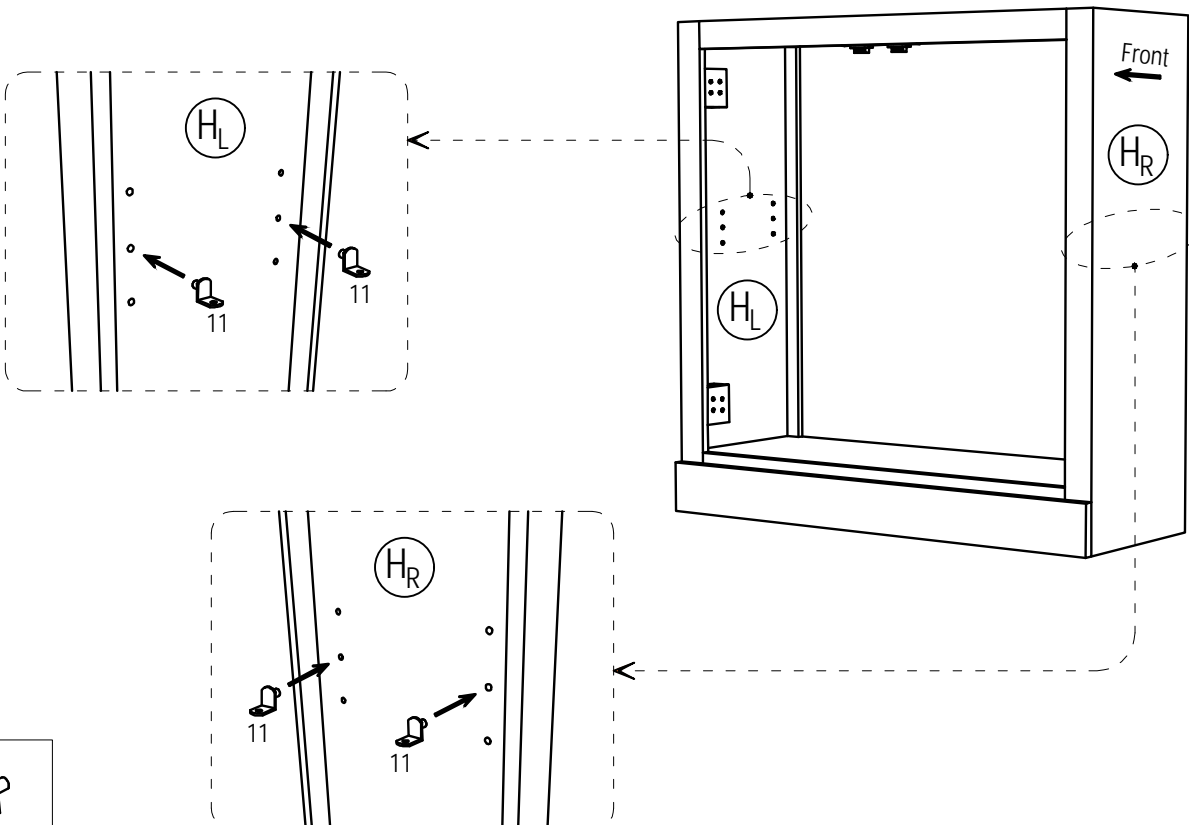


16



4 pcs

## STEP 15



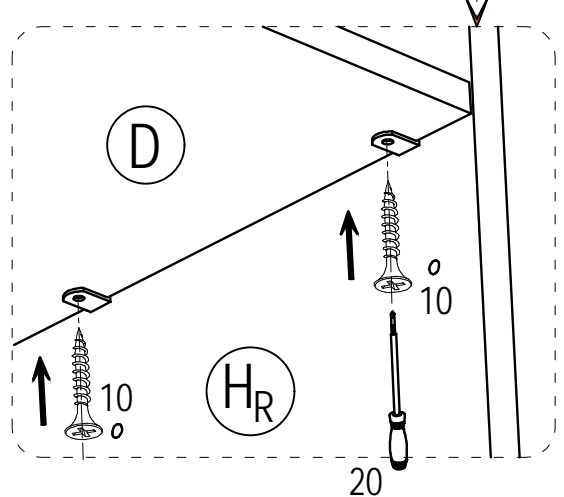
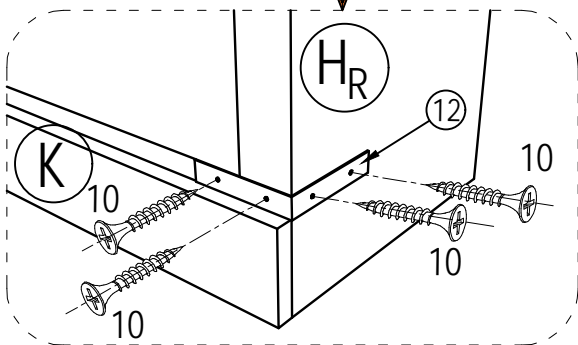
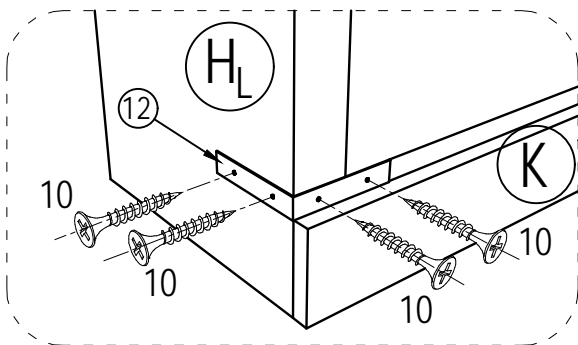
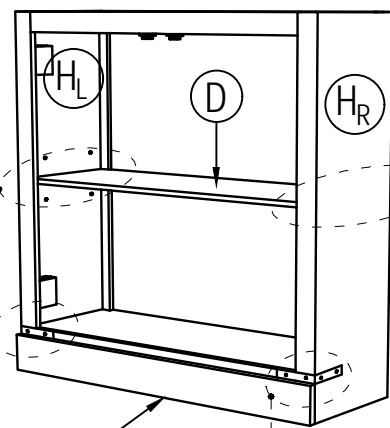
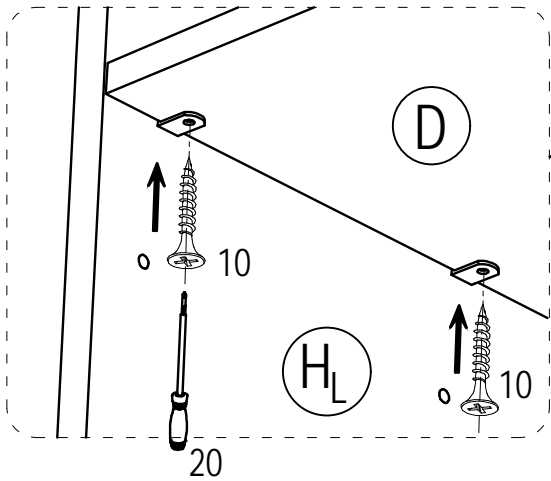
11

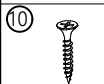
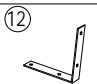
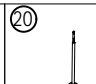


4 pcs

# ASSEMBLY INSTRUCTIONS

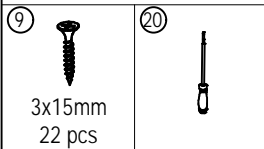
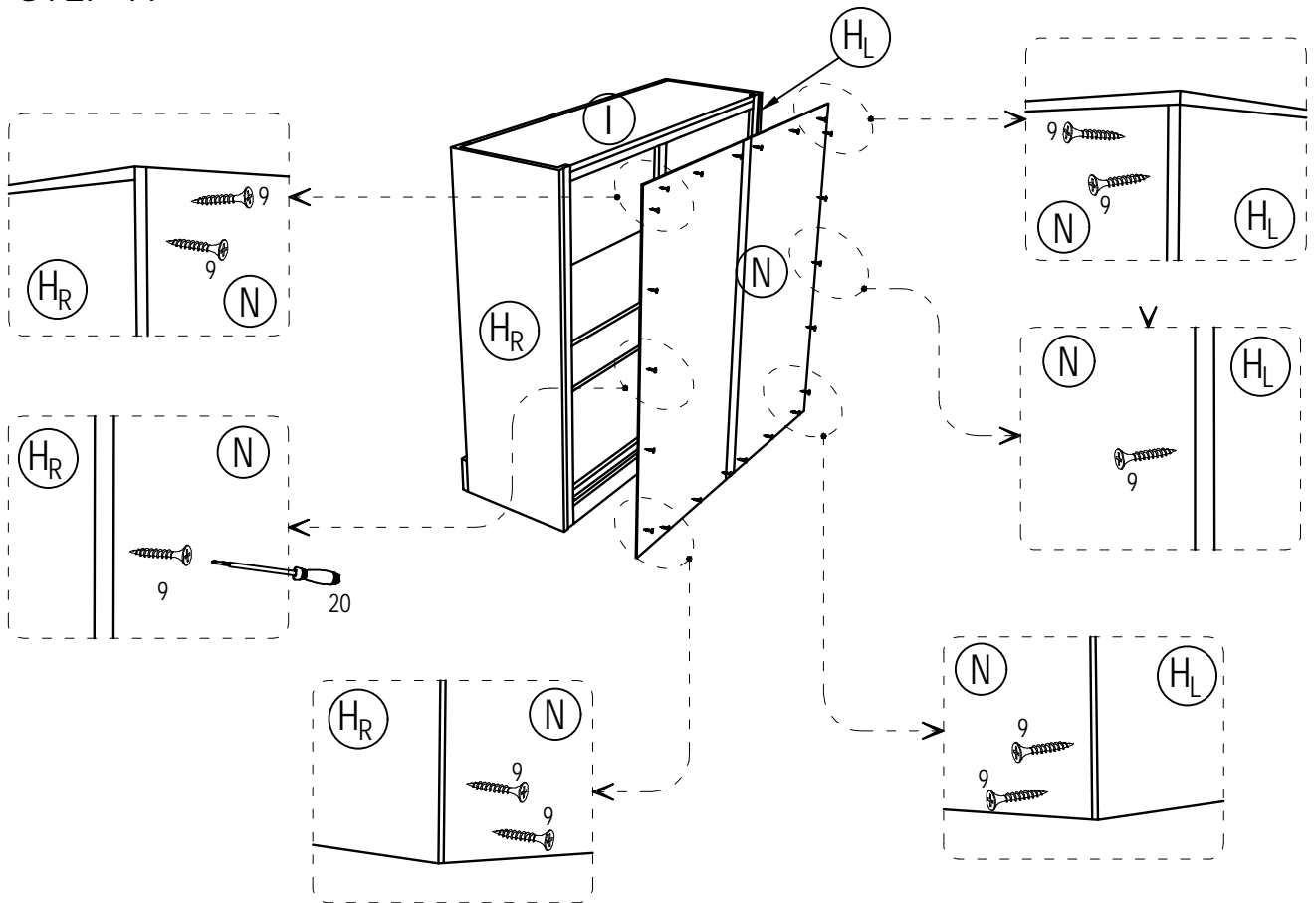
## STEP 16



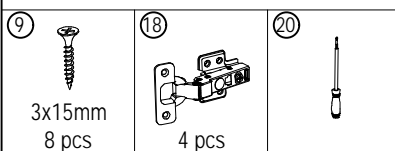
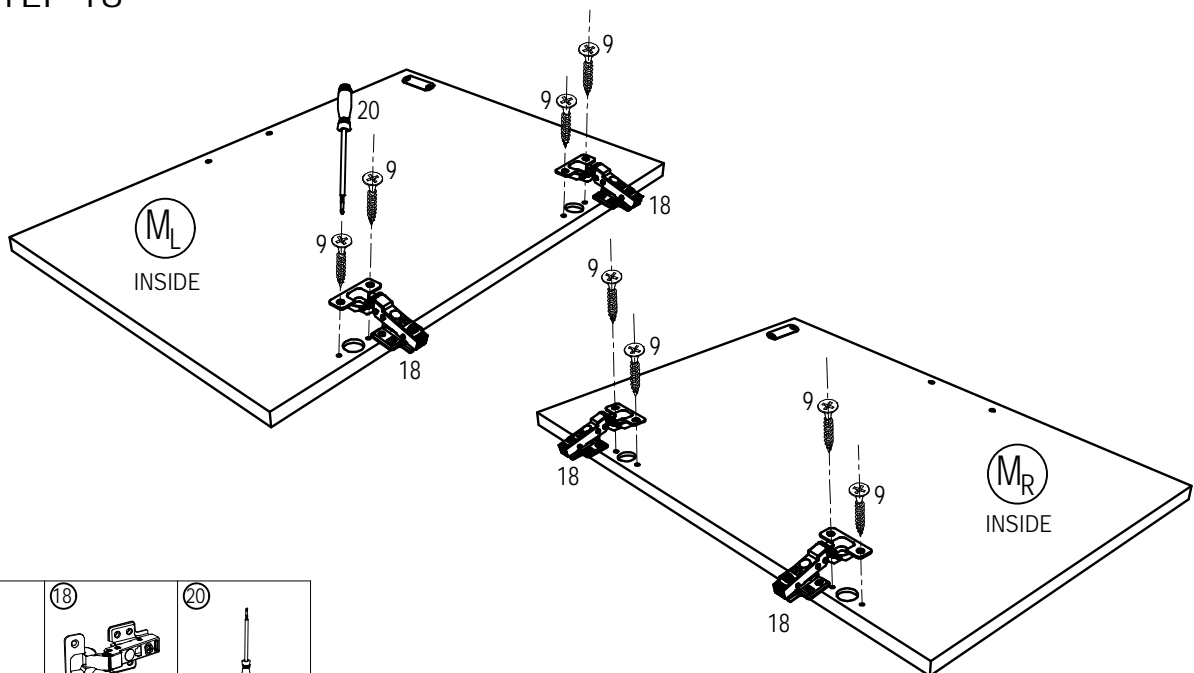
 3x10mm 12 pcs	 2 pcs	 20
--	--	---

# ASSEMBLY INSTRUCTIONS

## STEP 17

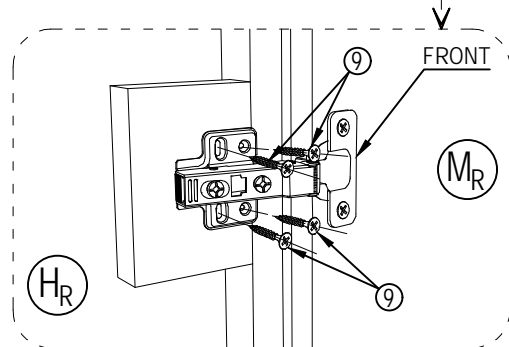
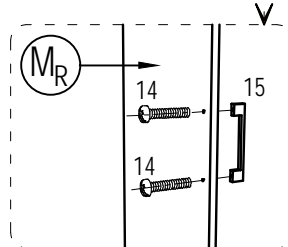
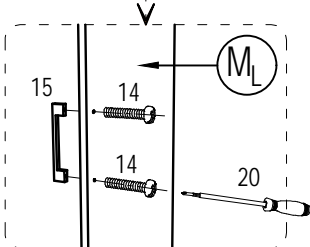
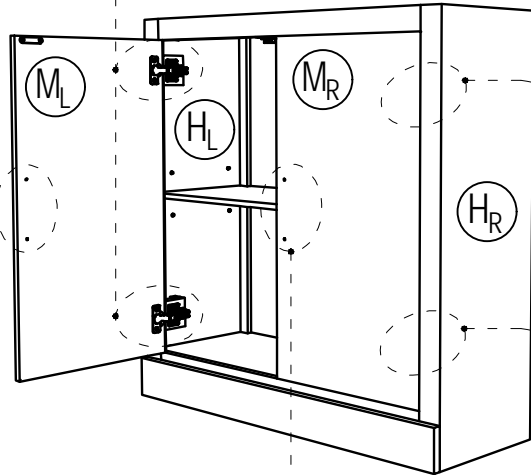
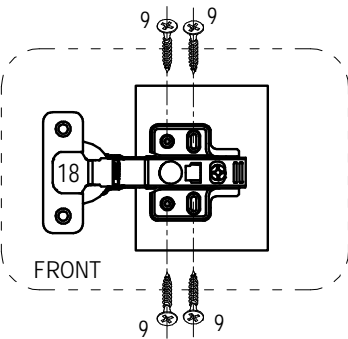
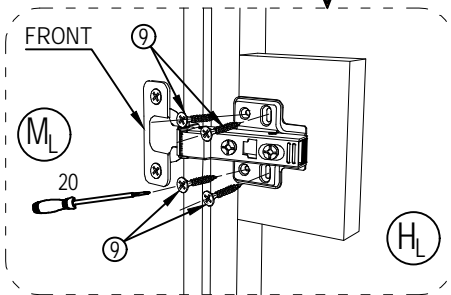


## STEP 18

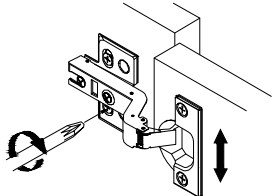


# ASSEMBLY INSTRUCTIONS

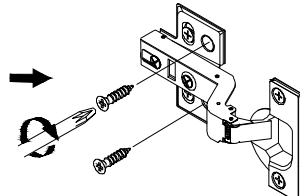
## STEP 19



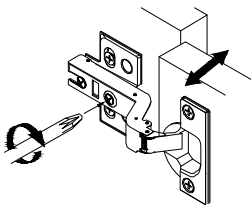
Use the screws to adjust up or down



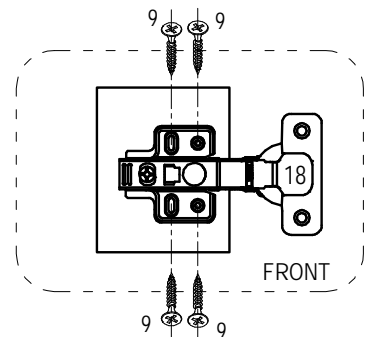
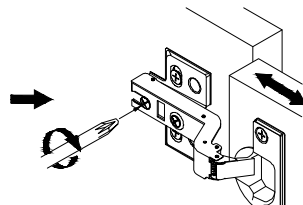
Use the screws to permanent



Use the screws to adjust left or right



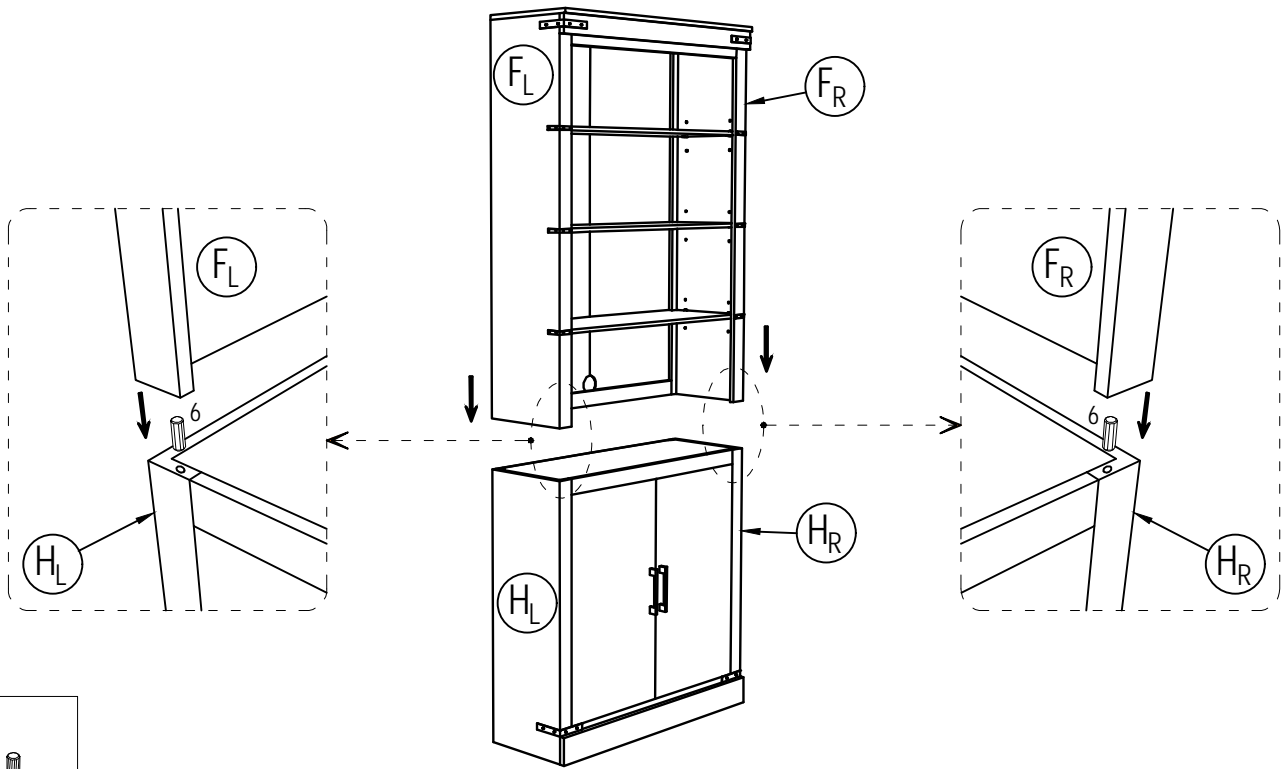
Use the screws to adjust in or out



9	14	15	20
3x15mm 16 pcs	4 pcs	2 pcs	

# ASSEMBLY INSTRUCTIONS

## STEP 20

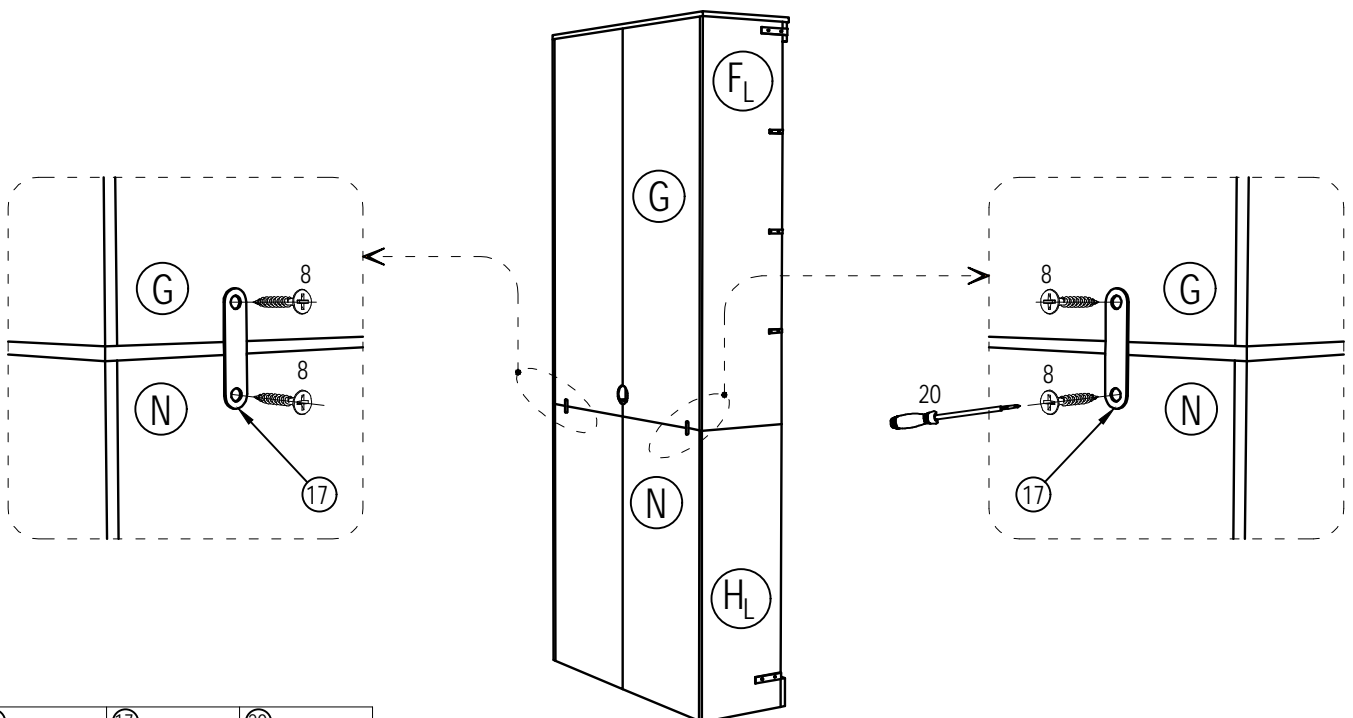


⑥



2 pcs

## STEP 21



⑧



4x20mm  
4 pcs

⑰



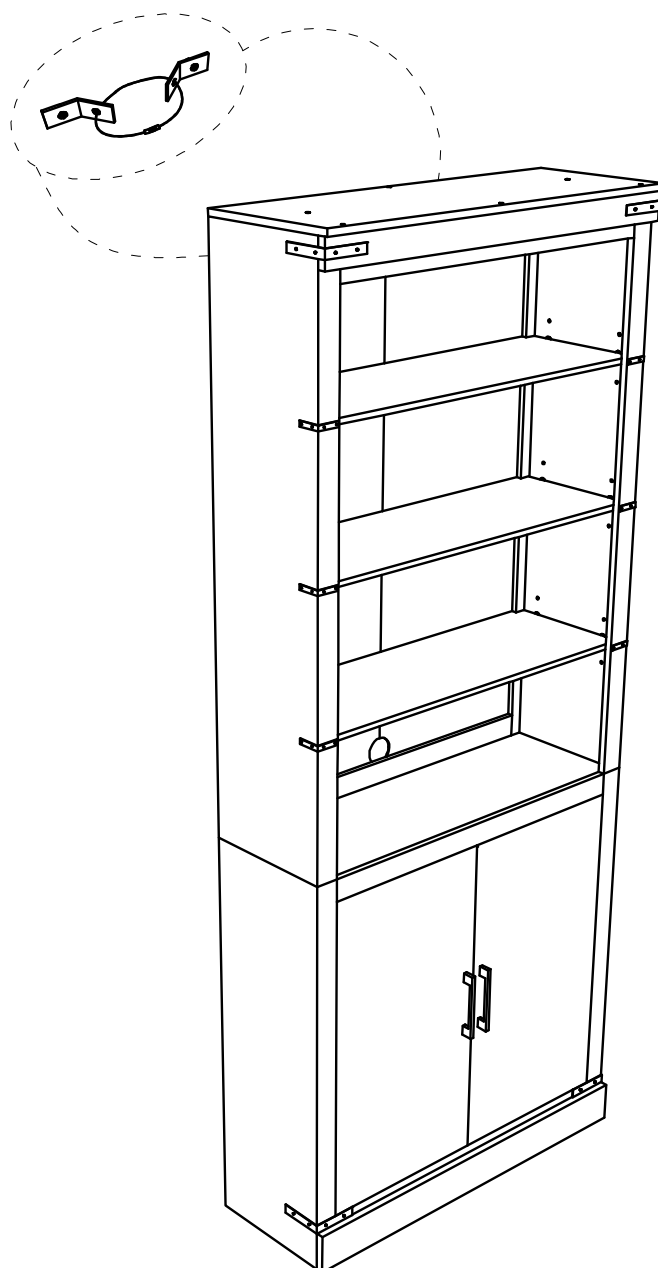
2 pcs

⑳



# ASSEMBLY INSTRUCTIONS

## STEP 22



21



2 SET

1 pc