

HAPPINESS INSTALLATION



CAUTION

Parts are placed at the bottom of the product.

- If you have any questions with the product, please contact us by:
- **Email: customerservice@zoy-living.com**
(we will reply to you within 24 hours)

Assembly Instructions

SKU: SS068AF63D

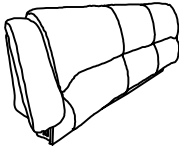
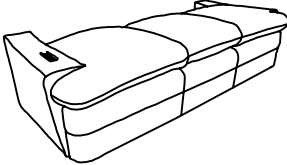
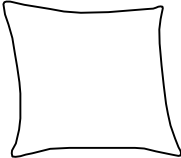
Important safety instructions:

- Thanks for your purchasing this high-quality product,please read carefully all instruction before assembly.
- For your safety and ease,assembly by two or more adults is recommended.
- Keep instructions for future use.



Pre-assembly:

- Do not discard any content until assembly is complete to avoid accidentally discarding small parts or hardware.
- Take out all parts and hardware from box and place them on a clean,soft and smooth surface.

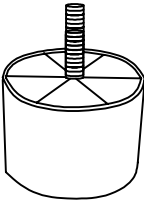
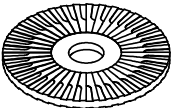
Parts List

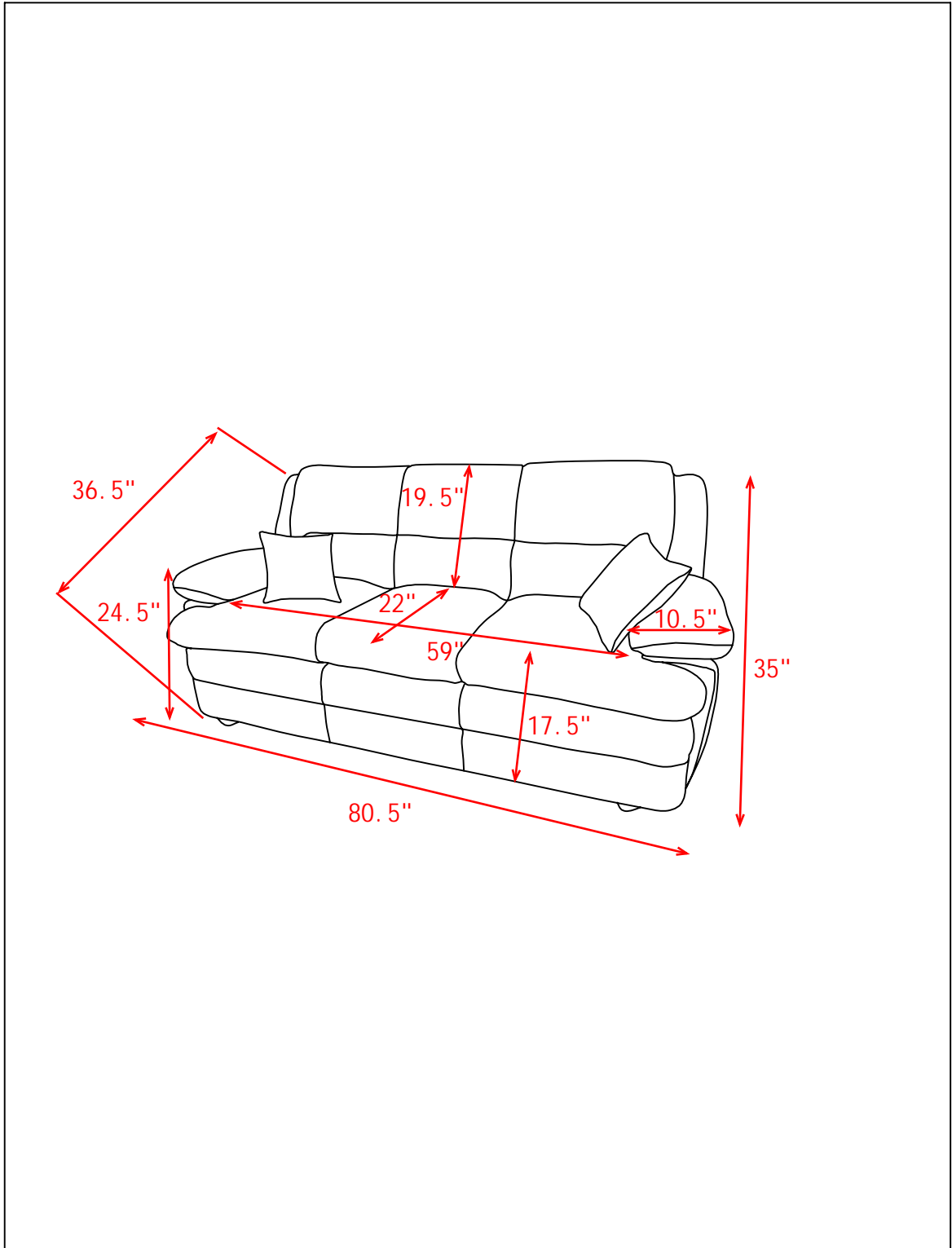
PartNumber	Diagram	QTY
A		1
B		1
C		2

Parts List

PartNumber	Diagram	QTY
D		1
E		1

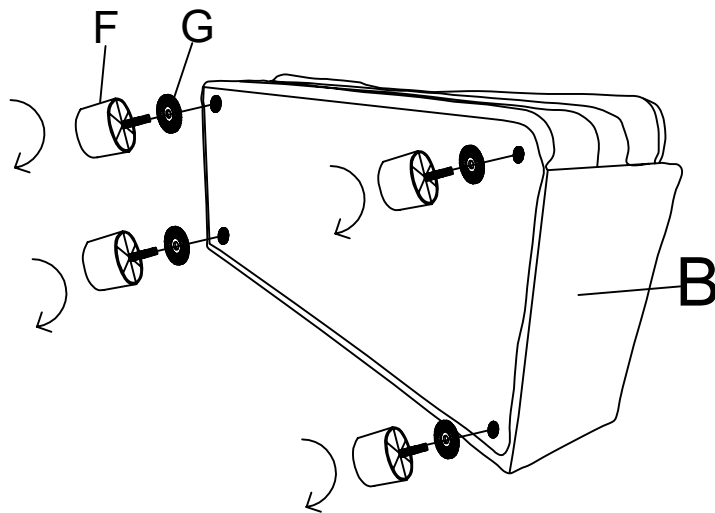
Hardware List

PartNumber	Diagram	QTY
F		4
G		4

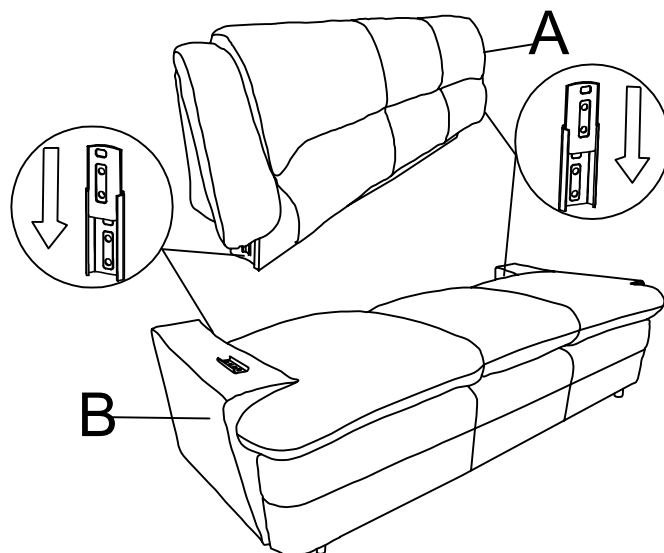


Assembly steps

STEP-1

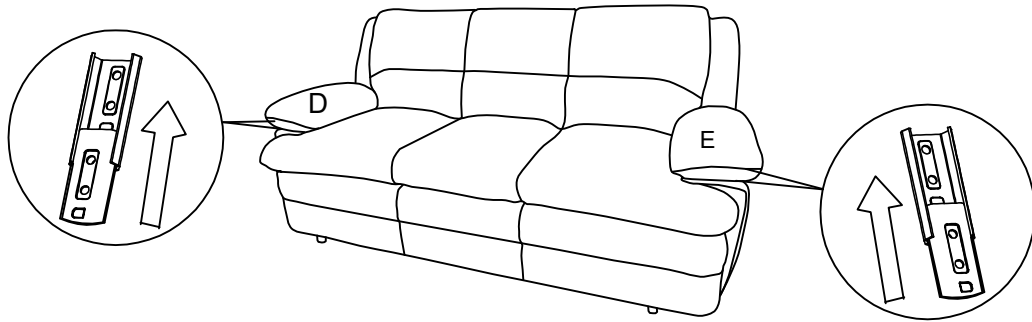


STEP-2

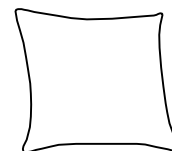
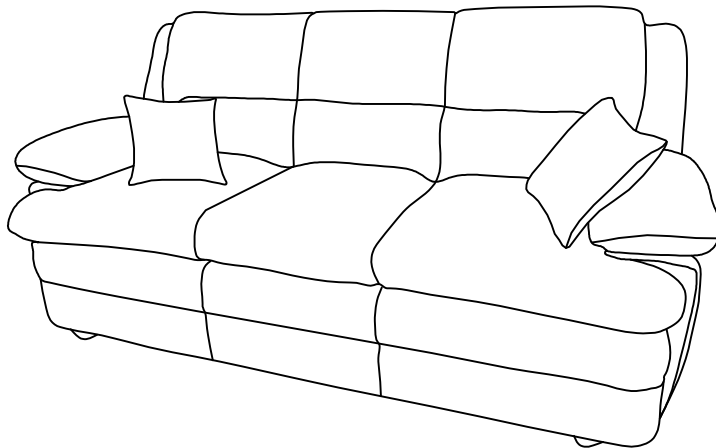


Assembly steps

STEP-3



STEP-4



X2

Warnings

1. Please check if the components of the chair are all included and can be used normally.
2. Assemble all components according to the instruction correctly before you connect the chair to the power.
3. Please DO NOT sit on the armrests or footrest to eliminate the risk of tipping over.
4. If the chair is damaged or doesn't match the website description, please send clear pictures of the product and label of the carton to our service team for further help.
5. If the recliner doesn't work, you may try the following measures for self-checking firstly:
 - a) Check if all the cables are connected;
 - b) Check if the light of transformer is on.

If the chair still doesn't work, please feed the information back to our customer service in time and we'll help you solve the matter as soon as possible.

6. If you have any questions with the product, please contact us by:

Email: customerservice@zoy-living.com (we will reply to you within 24 hours)

