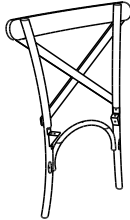



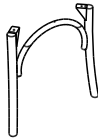

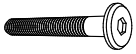


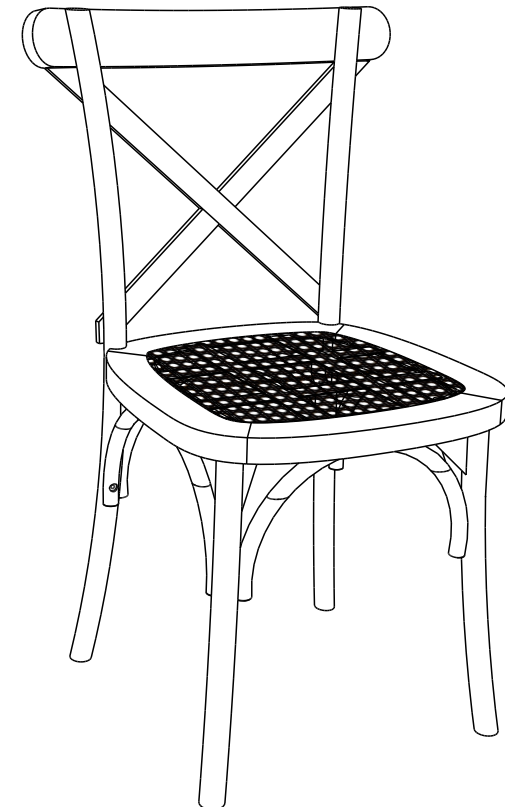


## Part List And Hardware List

PIECE	DESCRIPTION	PICTURE	QUANTITY
A	Back Rest		1x
B	Seat Frame		1x
C	Foot Connection Right		1x
D	Foot Connection Left		1x
E	Front Leg		1x
①	Coarse Screw	 50 mm	2x
②	Jcbc Screw	 M6 x 40mm	8x
③	Screw	 30mm	4x
④	Allen Key	 M4	1x

Product Dimension: 20,08"D x 20,08"W x 34,06"H



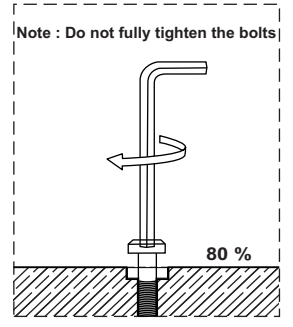
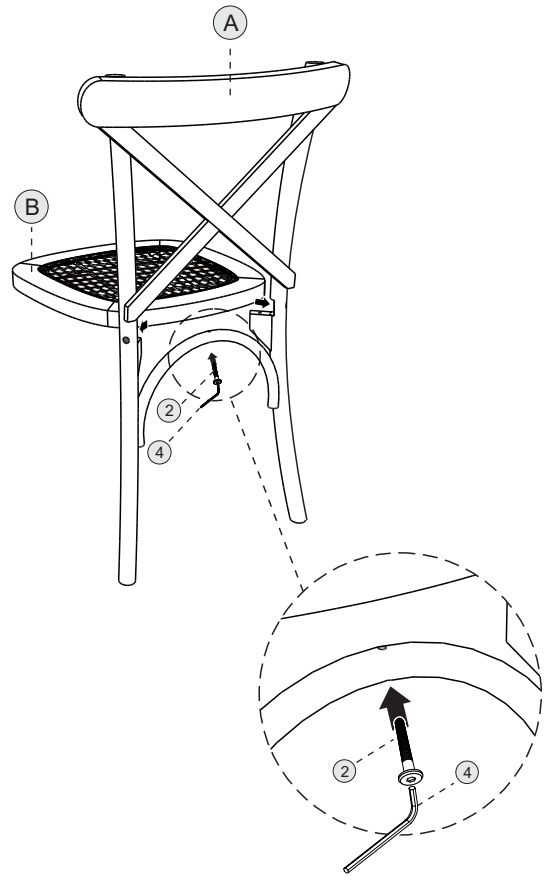
If there are any questions relating to defects, missing parts, assembly issues or replacements, please send a detailed email to [cs@jonathany.com](mailto:cs@jonathany.com).


Do not tighten every single screw until all screws are fitted into all holes, so that all screws fitted can be tightened together

**1**

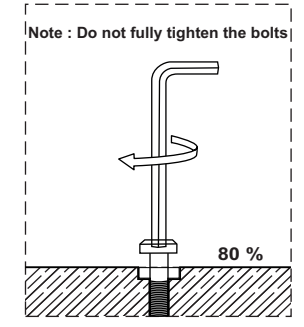
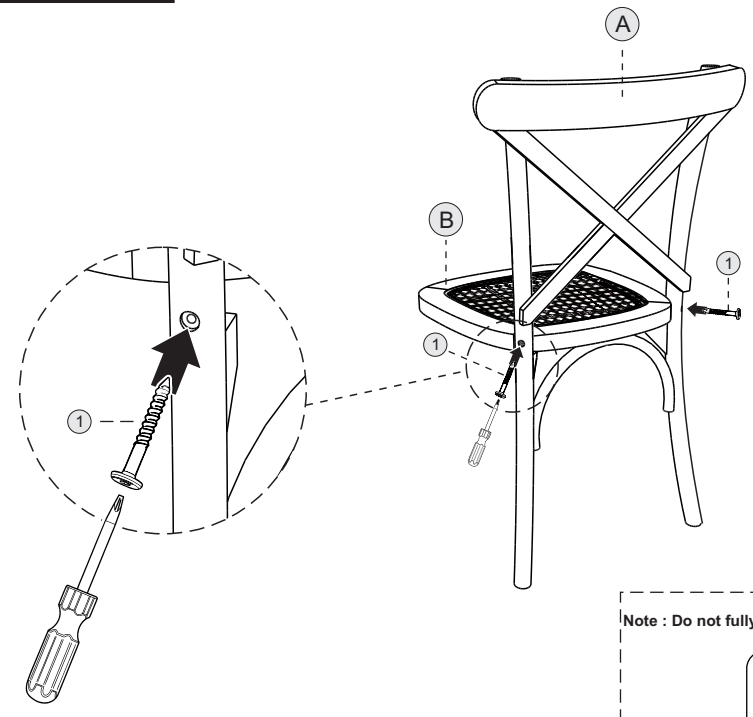
<b>2</b>		1x
<b>4</b>		1x

**!** NOTE: Please assemble the product according to the sticker colors and matching codes on the components



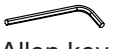
**2**

<b>1</b>		2x
	50 mm	

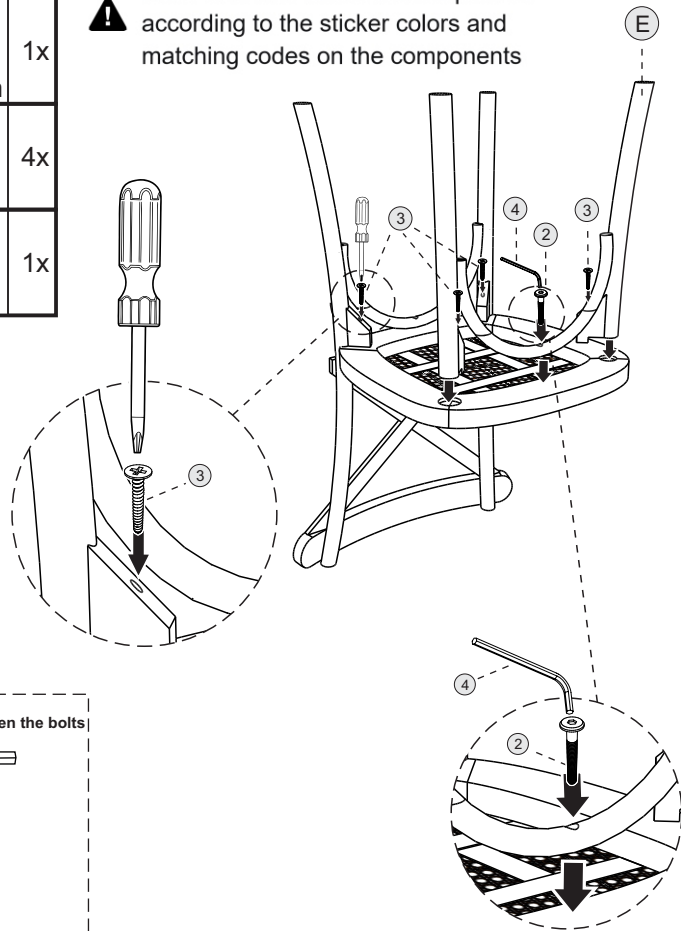
**!** NOTE: Please assemble the product according to the sticker colors and matching codes on the components



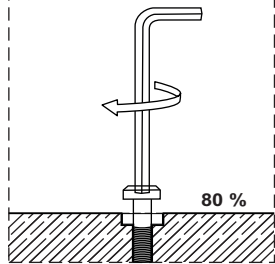
**3**



<b>2</b>		1x
<b>3</b>		4x
<b>4</b>		1x

**!** NOTE: Please assemble the product according to the sticker colors and matching codes on the components

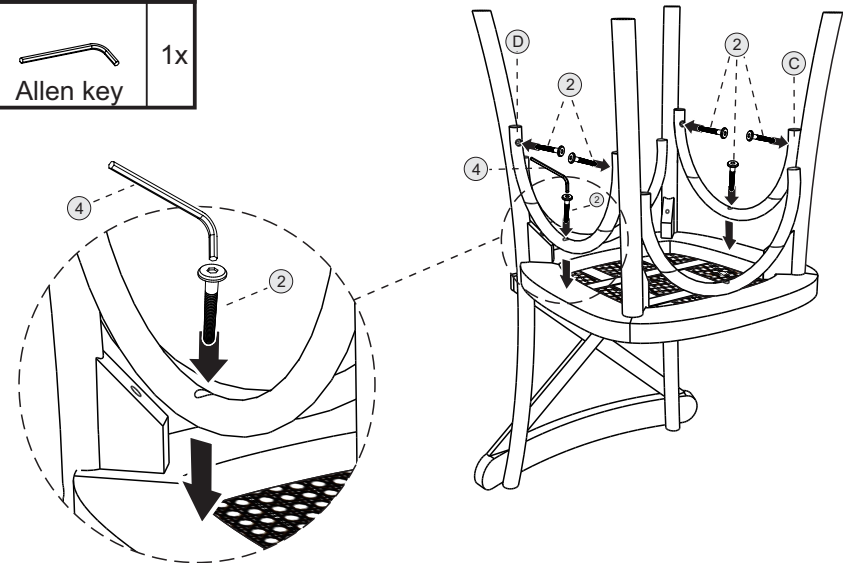


Note : Do not fully tighten the bolts

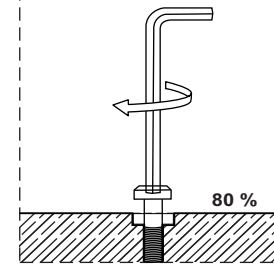
**4**

<b>2</b>		6x
<b>4</b>		1x

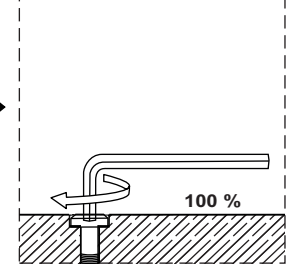
**!** NOTE: Please assemble the product according to the sticker colors and matching codes on the components



Note : Do not fully tighten the bolts



Note : Fully tighten all bolts



5

