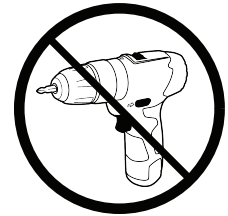
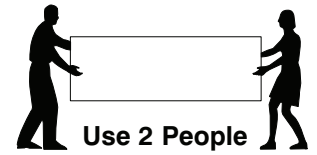
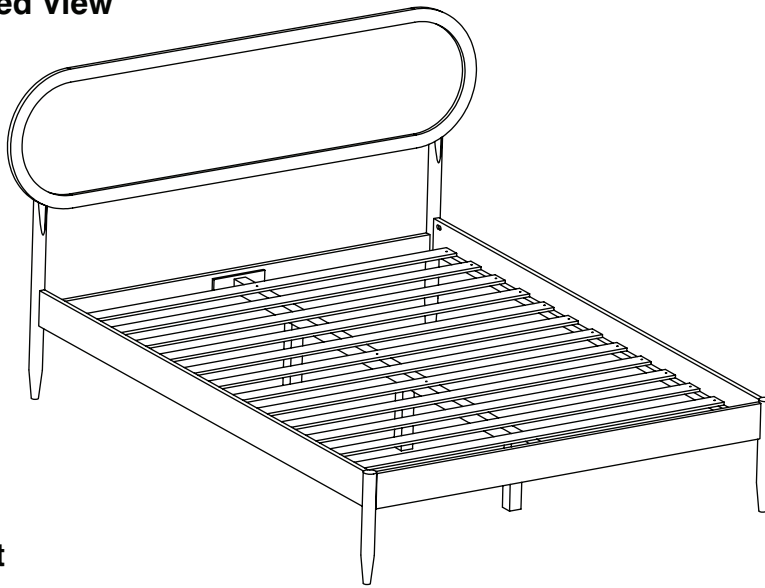


0240 Queen Bed

Assembly Instructions

WI-0724

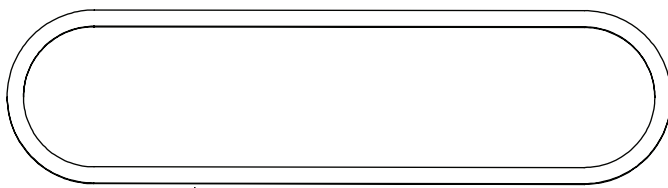
1 Assembled View



Note: Do not assemble using power tools. This can cause the bolts to be overtightened

2 Parts List

Parts in Box A:



A Headboard Panel x 1



B Headboard Support x 1

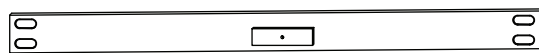


C Headboard Post (Left) x 1



D Headboard Post (Right) x 1

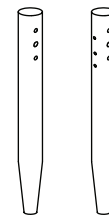
Parts in Box B:



E Footboard Panel x 1

H

Footboard Post (Left Hand) x 1



J

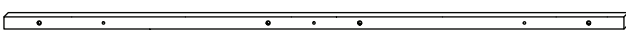
Footboard Post (Right Hand) x 1



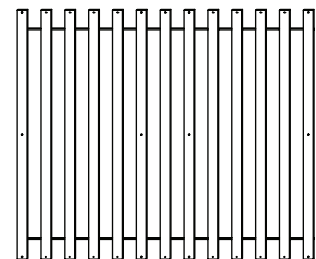
F Side Rail x 2



K Support Leg x 3



G Long Support x 1



L Set of Bed Slats x 1

0240 Queen Bed

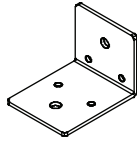
Assembly Instructions

WI-0724

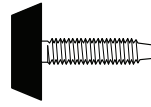
3 Hardware List



1 M4 Allen Key
x 1



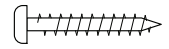
2 Center Rail
Bracket x 2



3 Adjustable
Foot x 3



4 Barrel Nut
x 3



5 Wood Screw
(M4 x 32mm)
x 18



6 Wood Dowel
(10 x 40mm) x 6



7 M6 x 15mm JCB
x 4



8 M6 x 30mm JCB
x 4

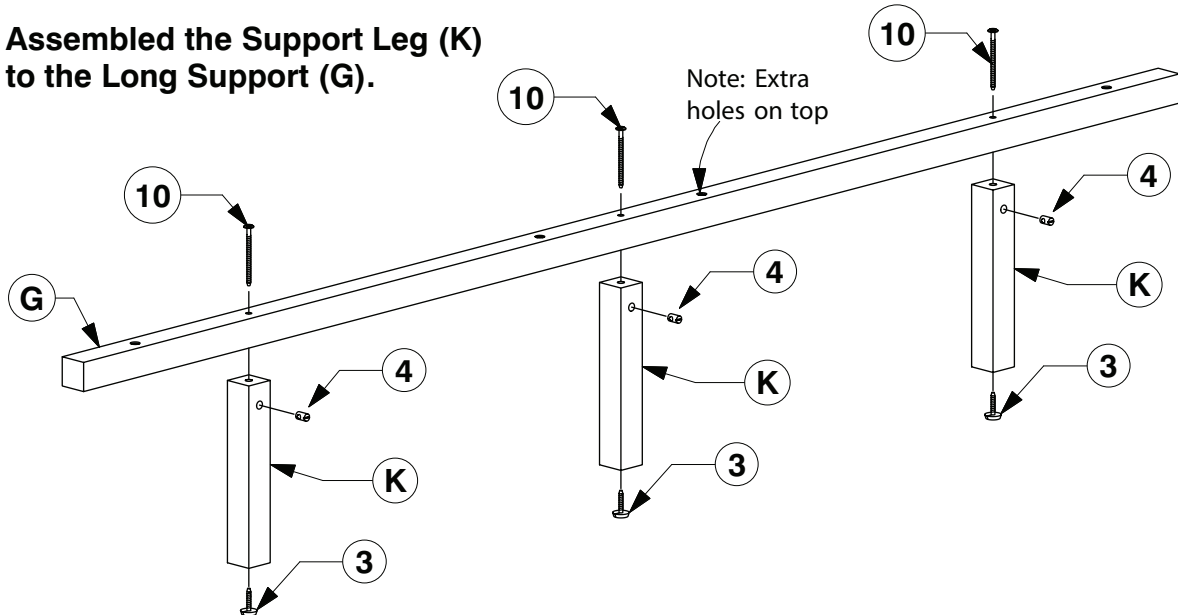


9 M6 x 40mm JCB
x 28

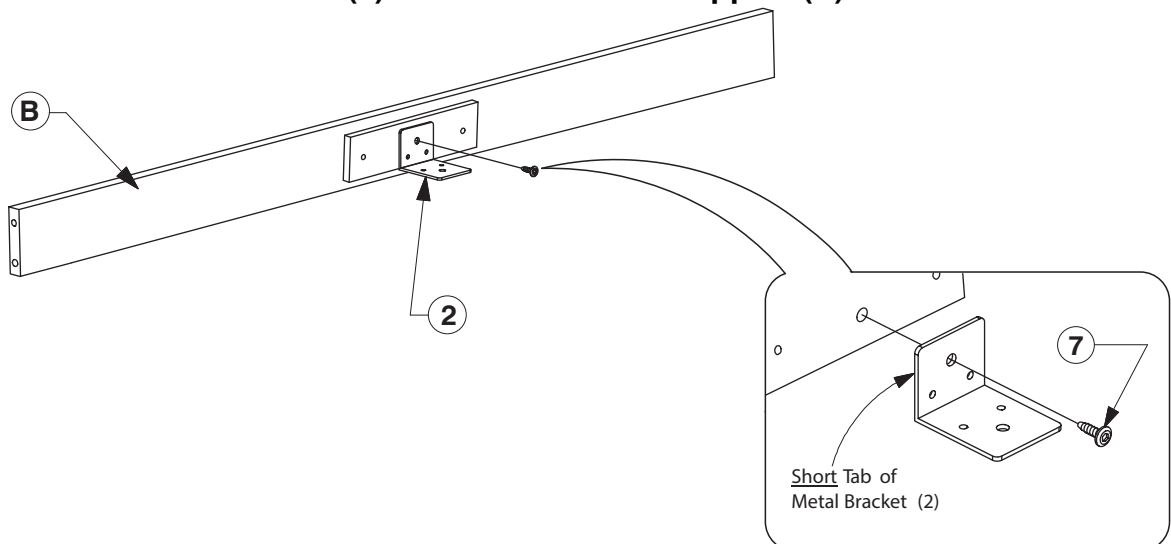


10 M6 x 90mm JCB x 3

4 Assembled the Support Leg (K) to the Long Support (G).



5 Fit the Center Rail Bracket (2) to the Headboard Support (B).

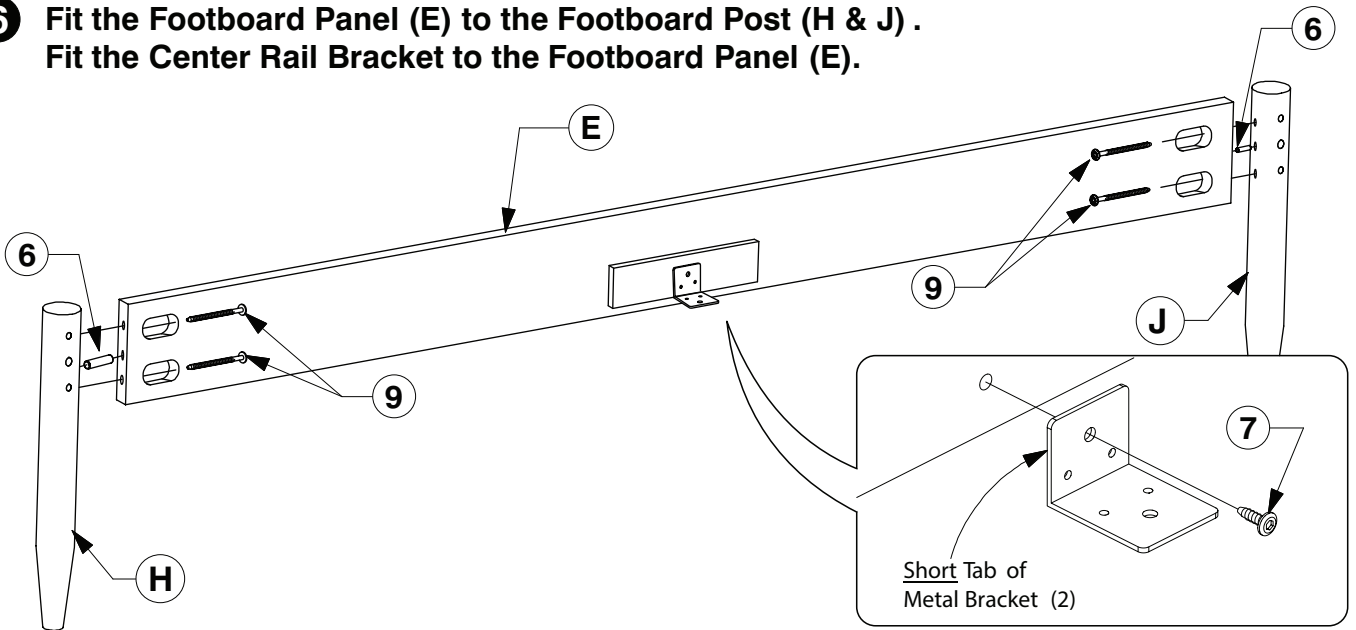


0240 Queen Bed

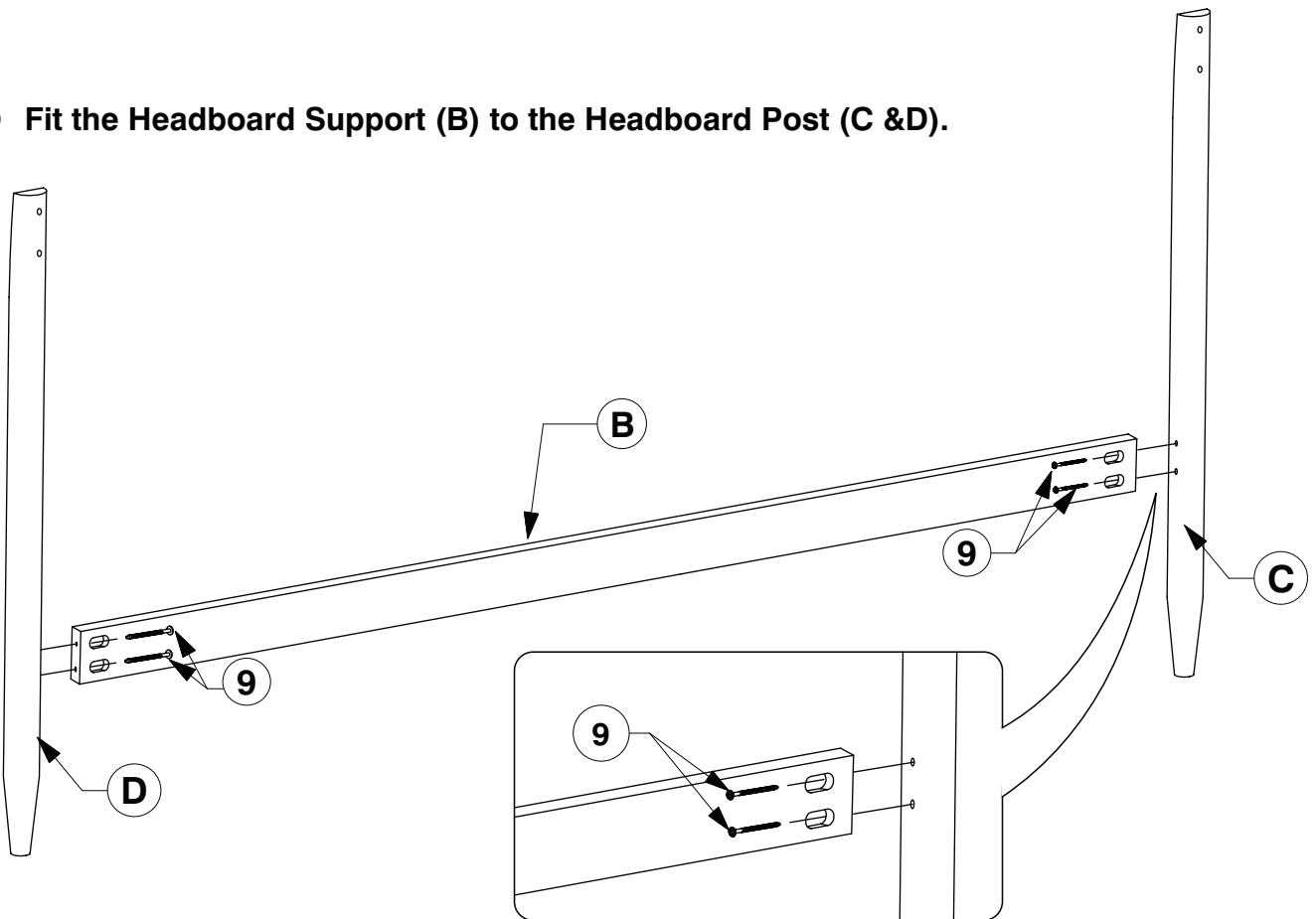
Assembly Instructions

WI-0724

- 6** Fit the Footboard Panel (E) to the Footboard Post (H & J).
Fit the Center Rail Bracket to the Footboard Panel (E).



- 7** Fit the Headboard Support (B) to the Headboard Post (C & D).

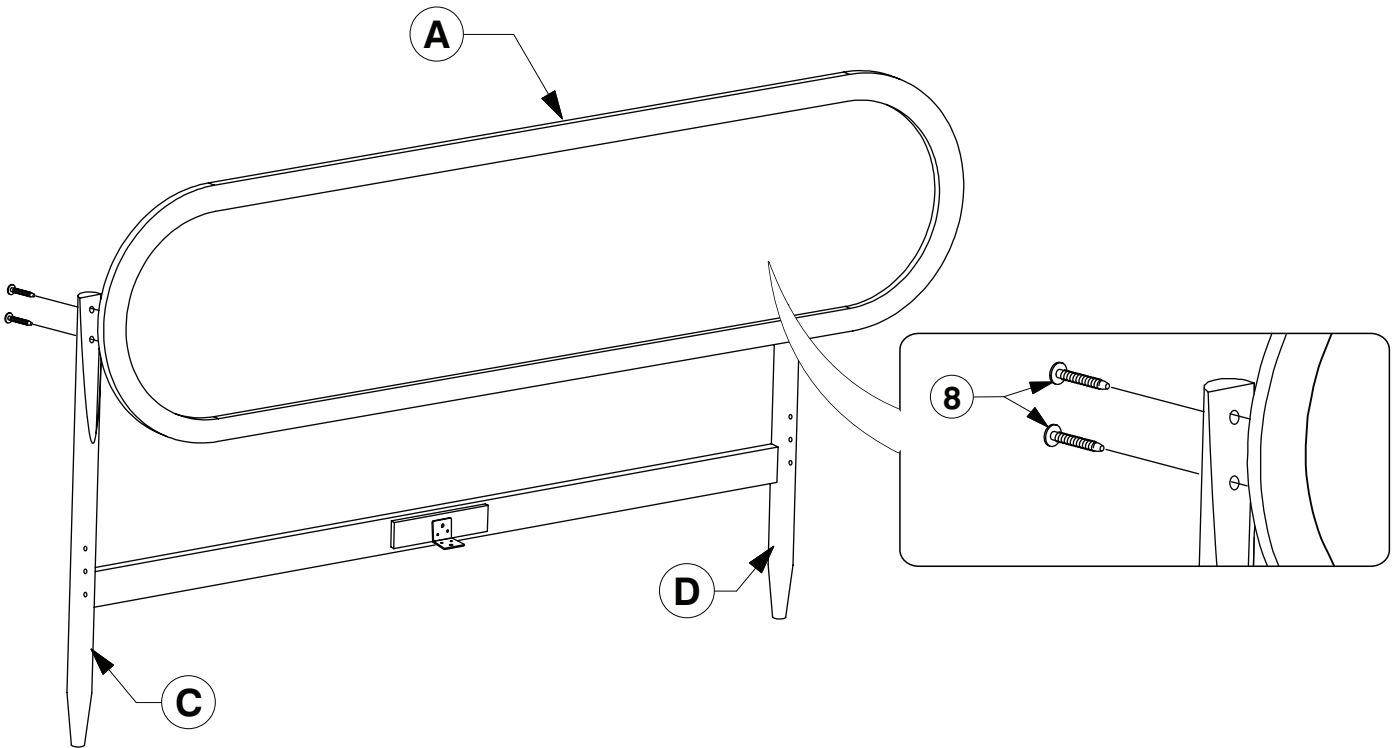


0240 Queen Bed

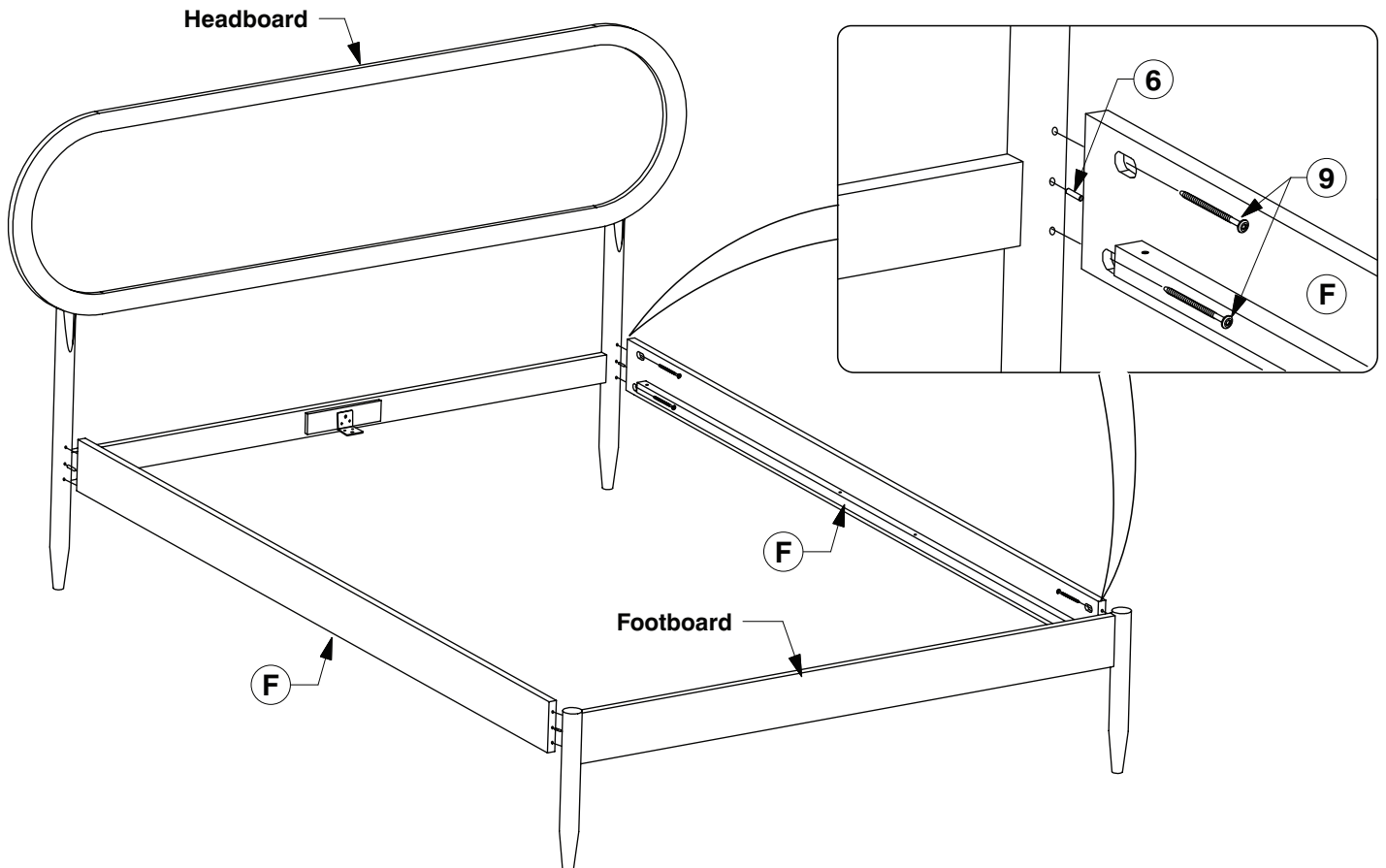
Assembly Instructions

WI-0724

- 8** Fit the Headboard Panel (A) to the Headboard Post (C & D).



- 9** Assemble the Side Rail (F) to the Headboard & Footboard.

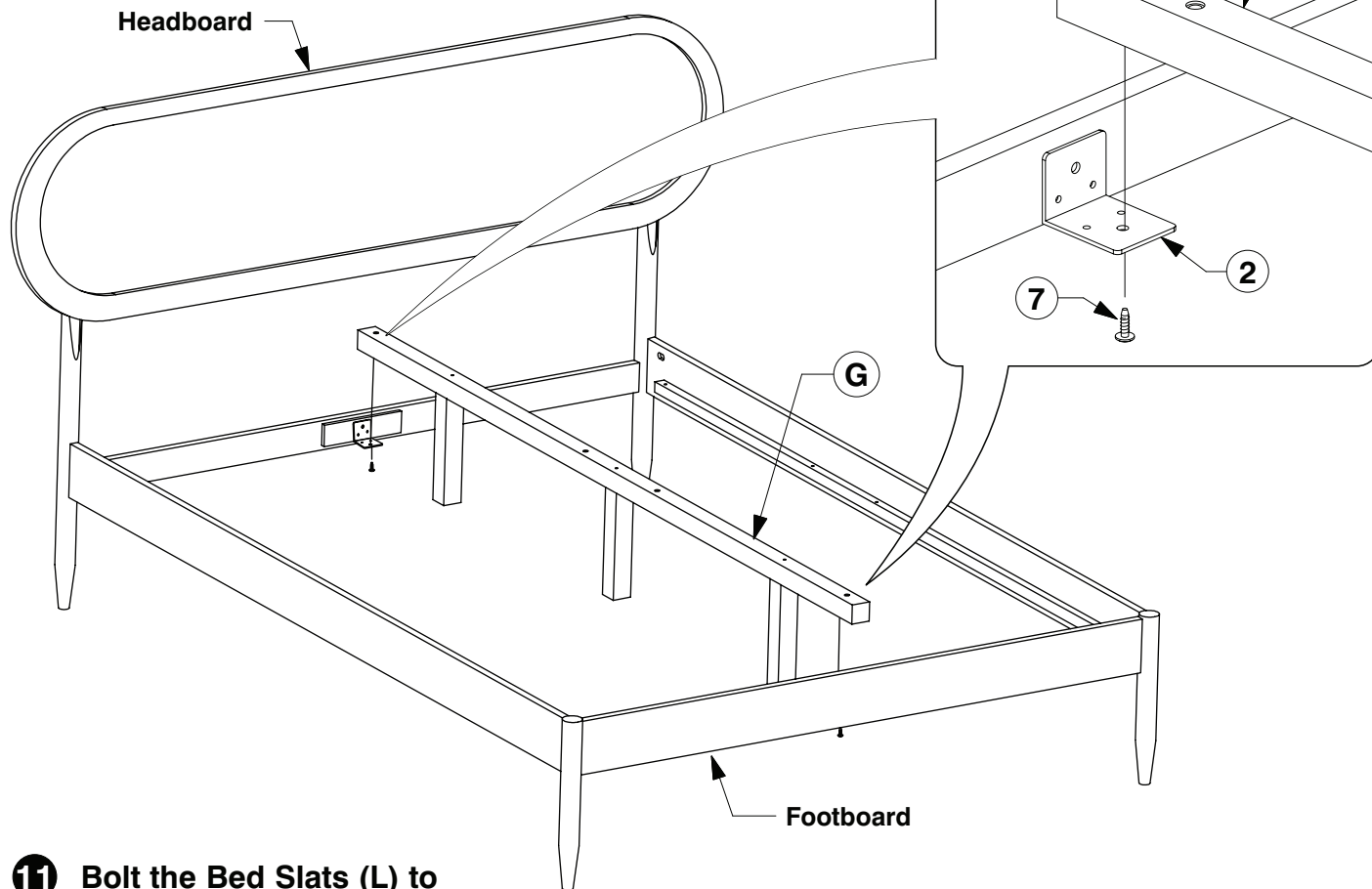


0240 Queen Bed

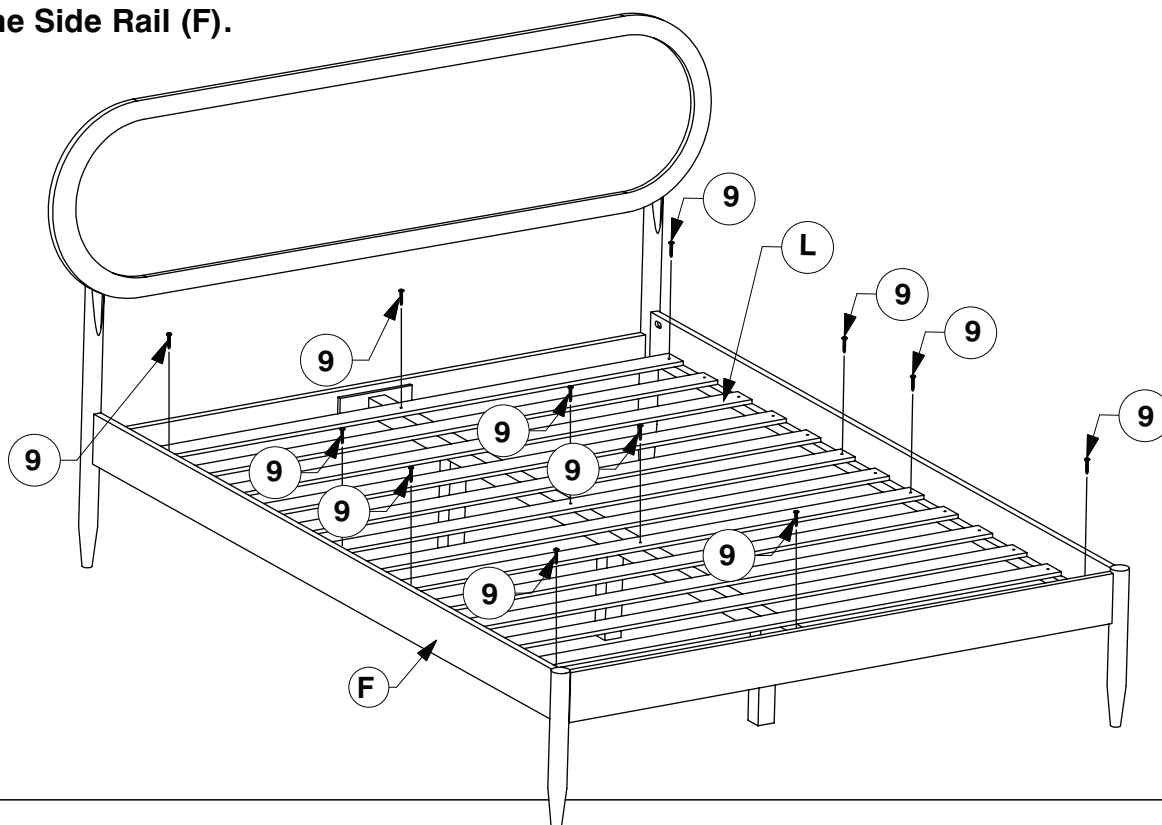
Assembly Instructions

WI-0724

- 10** Bolt the Long Support (G) to the Center Rail Brackets (2) on the Headboard / Footboard.



- 11** Bolt the Bed Slats (L) to the Side Rail (F).

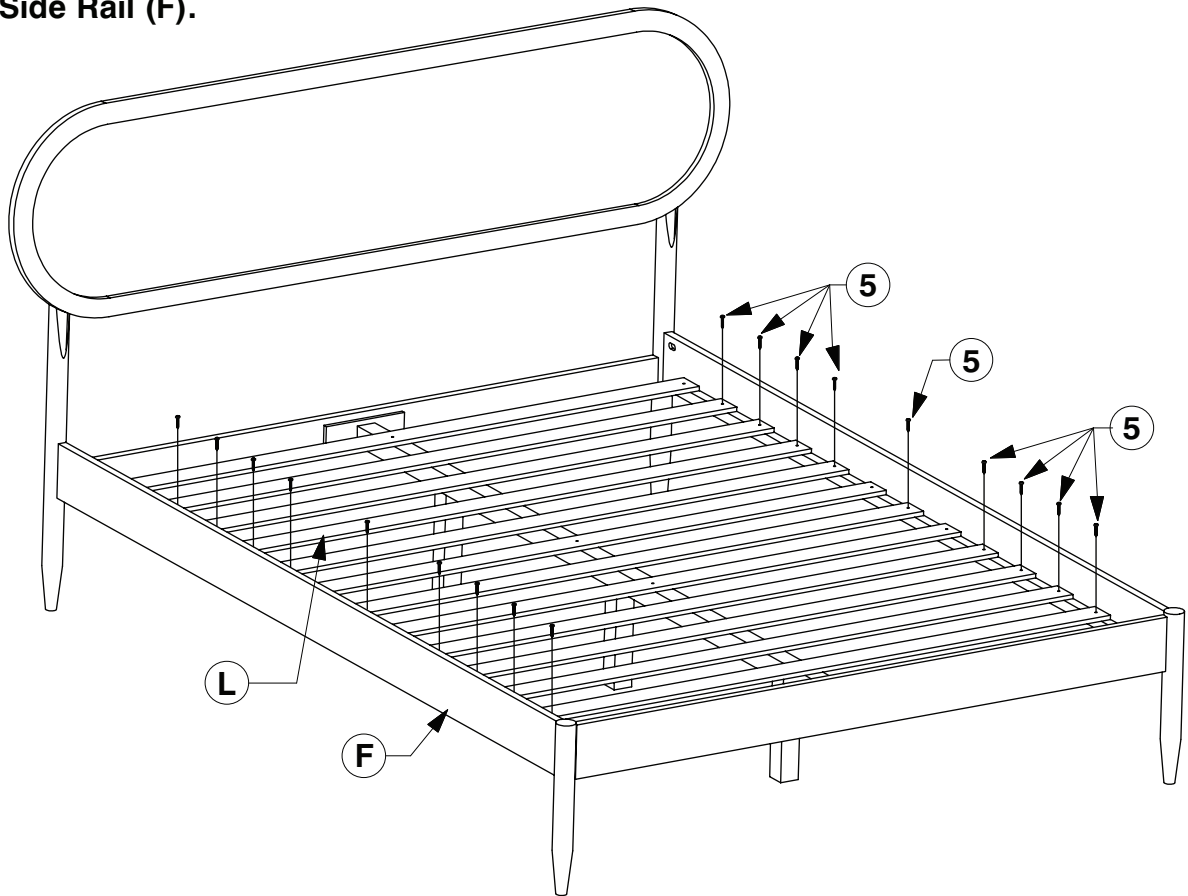


0240 Queen Bed

Assembly Instructions

WI-0724

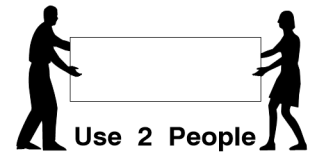
- 12** Screw the Bed Slats (L) to the Side Rail (F).



9013 6 Drawer Dresser

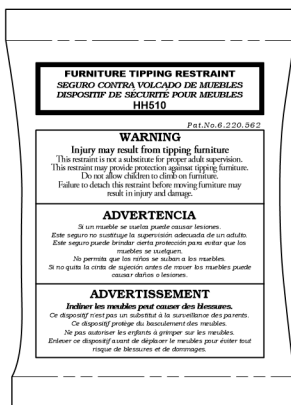
Assembly Instructions

WI-0724



Note: Do not assemble using power tools. This can cause the bolts to be overtightened

WARNING



Anti Tipping Kit
Anti Tipping Kit x 1



Children have died from furniture tipover.

To reduce the risk of furniture tipover:

- ALWAYS install anti-tip device provided.
- NEVER put a TV on this product.
- NEVER allow children to stand, climb, or hang on any drawers, doors or shelves.
- NEVER open more than one drawer at a time.
- DO NOT defeat or remove the drawer interlock system; it is an important stability and safety system.
- Place heaviest items in the lowest drawer.

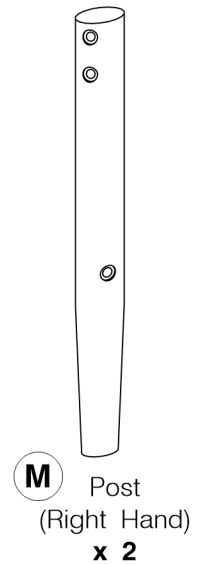
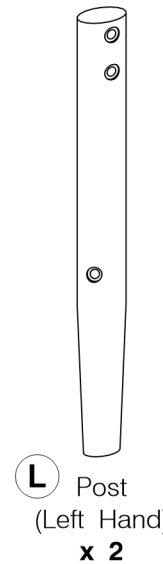
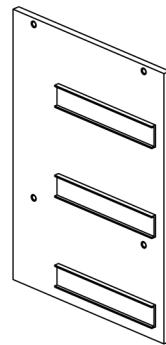
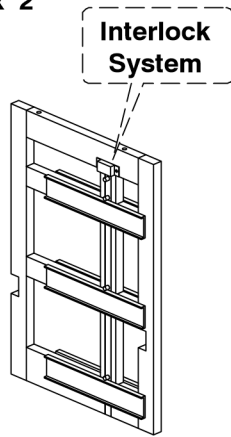
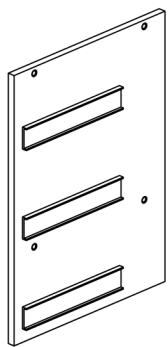
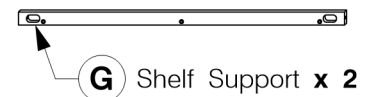
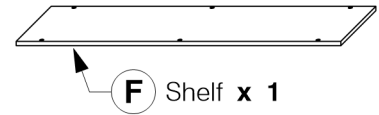
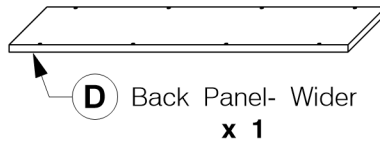
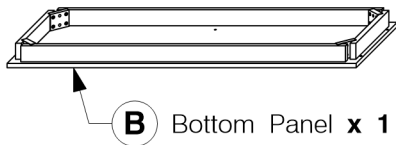
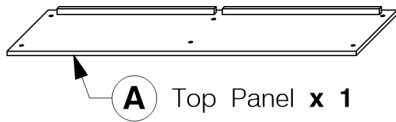
9013 6 Drawer Dresser

Assembly Instructions

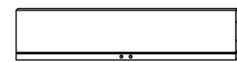
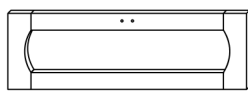
WI-0724

1 Parts List

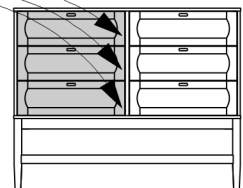
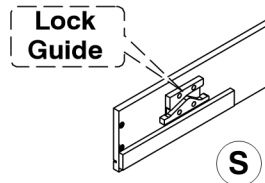
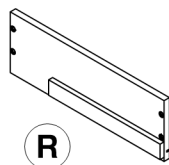
Parts in Box A:



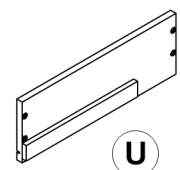
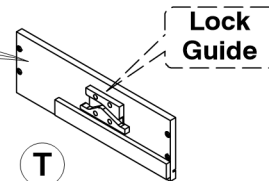
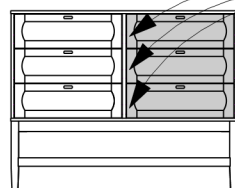
Parts in Box B:



Parts for LEFT Side Drawer



Parts for RIGHT Side Drawer

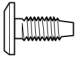
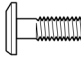
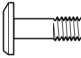

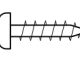
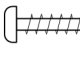
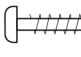

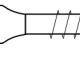





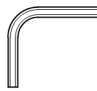


9013 6 Drawer Dresser

Assembly Instructions

WI-0724

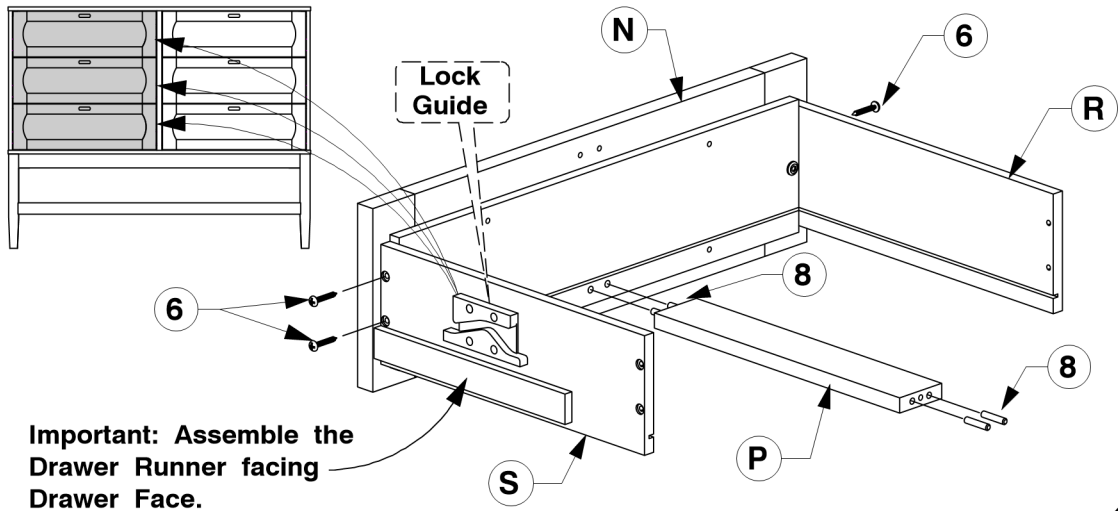
2 Hardware List

- | | | | | |
|---|---|--|--|---|
| 
1 M6 x 15mm JCB
x 28 | 
2 M6 x 30mm JCB
x 2 | 
3 M6 x 40mm JCB
x 4 | 
4 M6 x 60mm JCB
x 10 | 
5 Wood Screw (M4 x 20mm)
x 24 |
| 
6 Wood Screw (M4 x 25mm)
x 60 | 
7 Wood Screw (M4 x 32mm)
x 16 | 
8 M6 x 25mm Wood Dowel
x 24 | 
9 CSK Cap Wood Screw (M6 x 60mm) x 6 | 
10 'L' Bracket (5005-3)
x 14 |
| 
11 Spring Washer x 8 | 
12 Flat Washer x 8 | 
13 M4 x 25mm Wood Screw
x 12 | 
14 Handle (3321-25)
x 6 | 
15 Allen Key x 1 |

3 Assemble the Drawers.

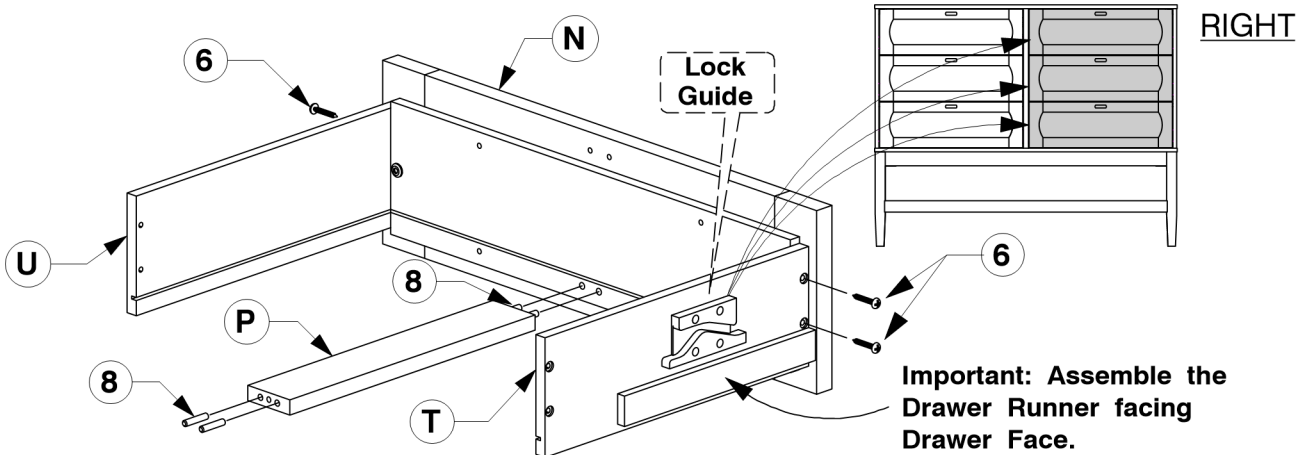
STEP 3.1

LEFT



Important: Assemble the Drawer Runner facing Drawer Face.

X 3



Important: Assemble the Drawer Runner facing Drawer Face.

X 3

RIGHT

9013 6 Drawer Dresser

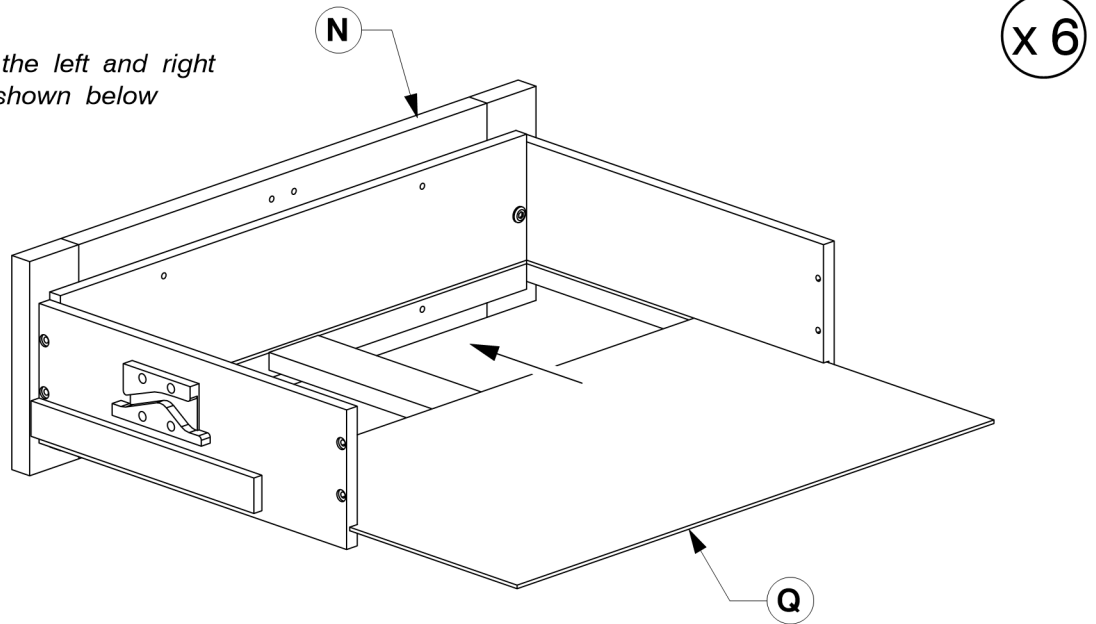
Assembly Instructions

WI-0724

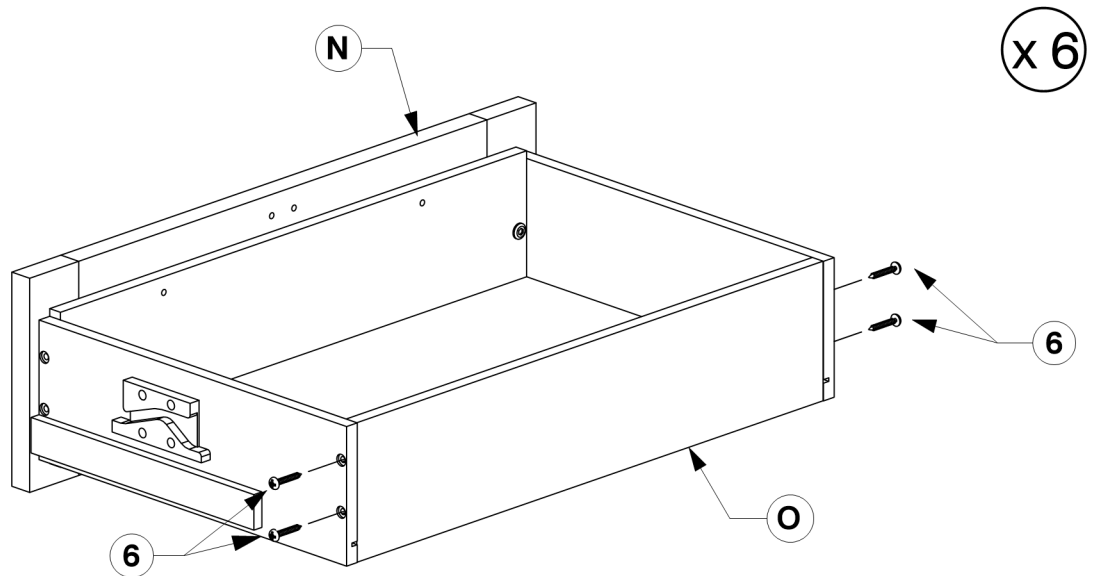
3 Assemble the Drawers.

STEP 3.2

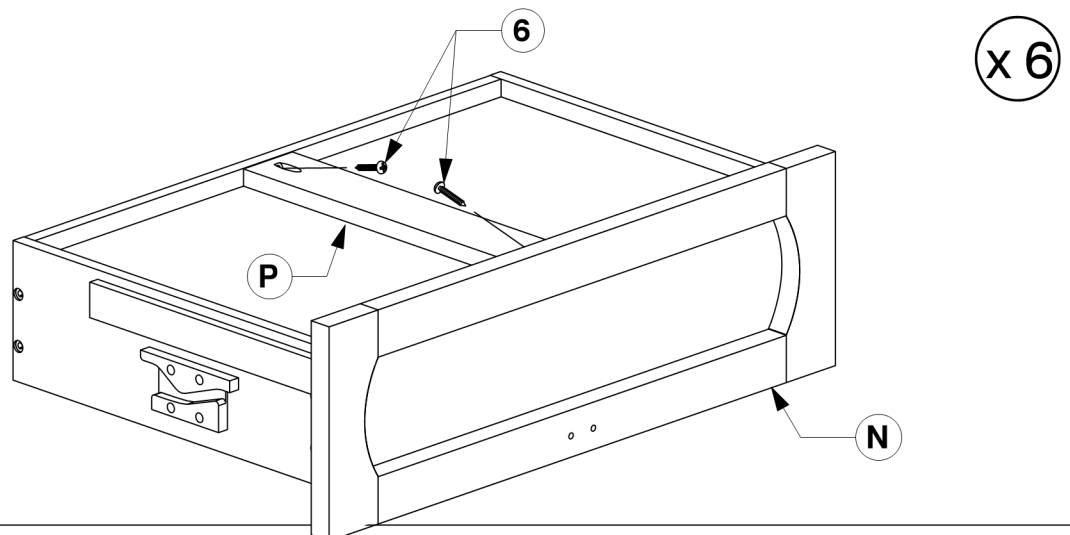
* 3 Assemble the left and right drawers as shown below



STEP 3.3



STEP 3.4

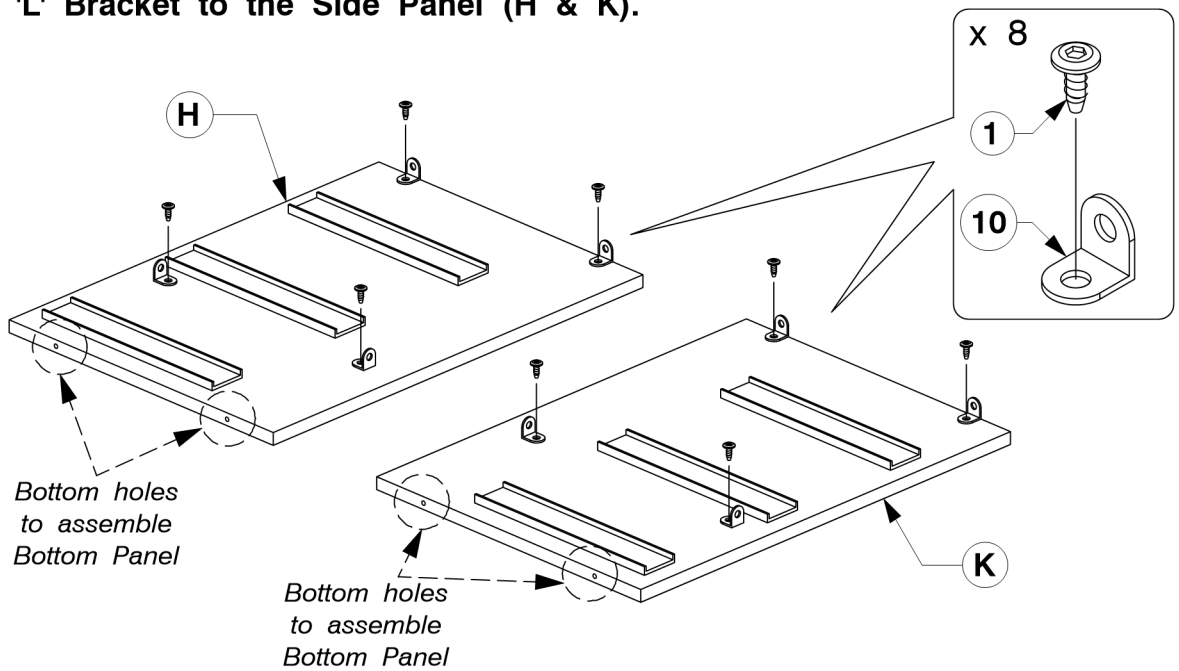


9013 6 Drawer Dresser

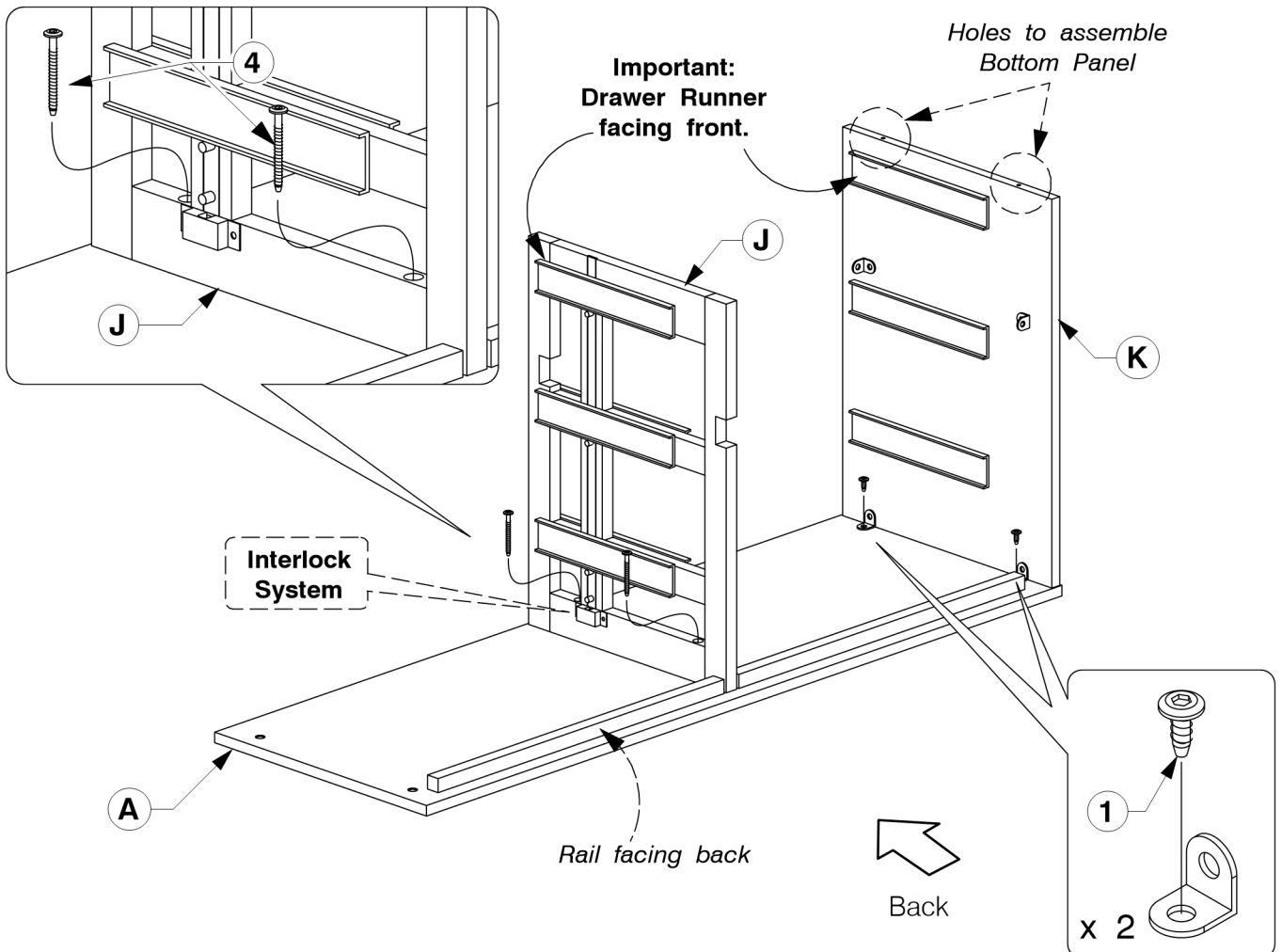
Assembly Instructions

WI-0724

4 Fit the 'L' Bracket to the Side Panel (H & K).



5 Fit the Side Panel- Right Hand (K) & Center Frame (J) to the Top Panel (A).

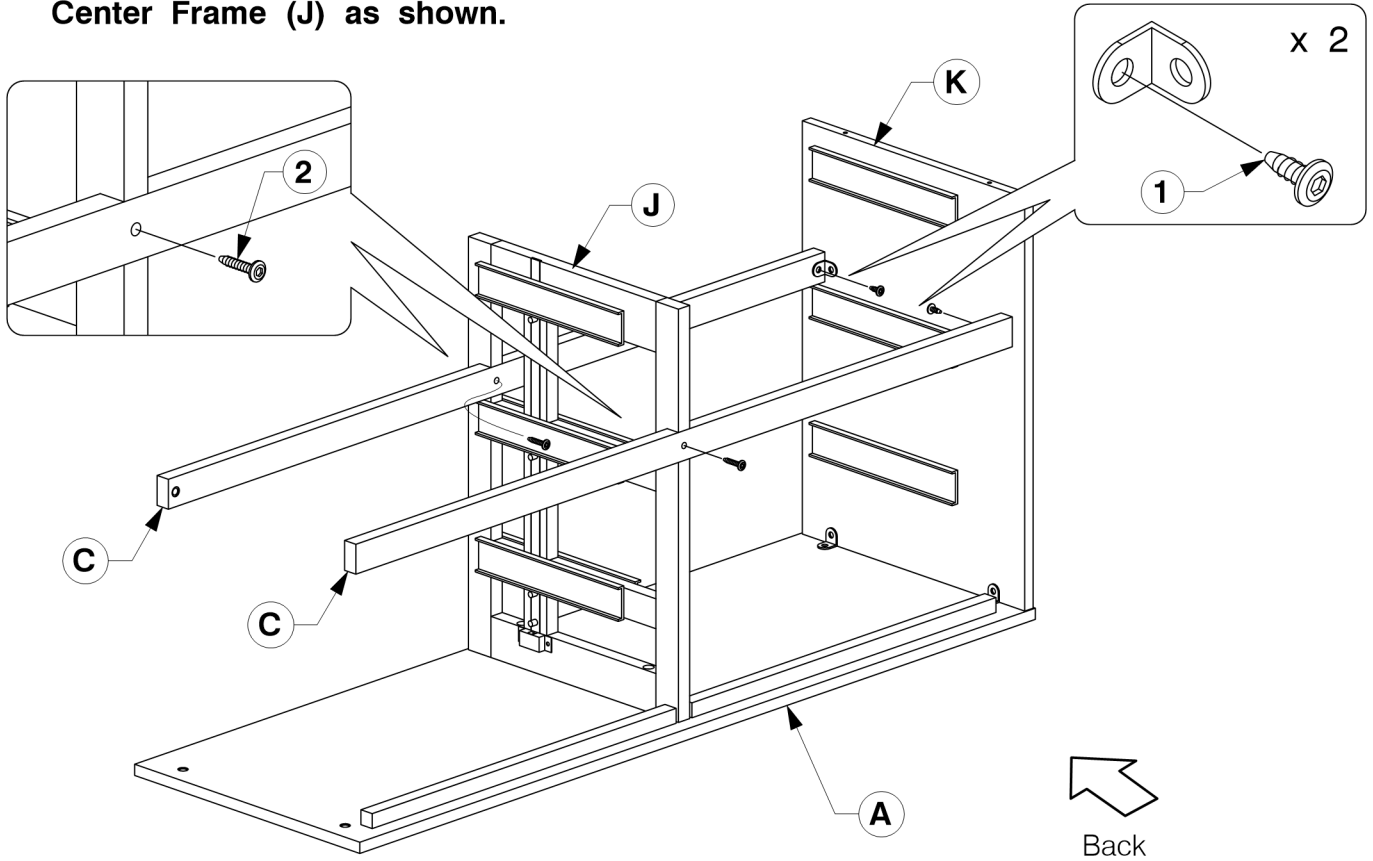


9013 6 Drawer Dresser

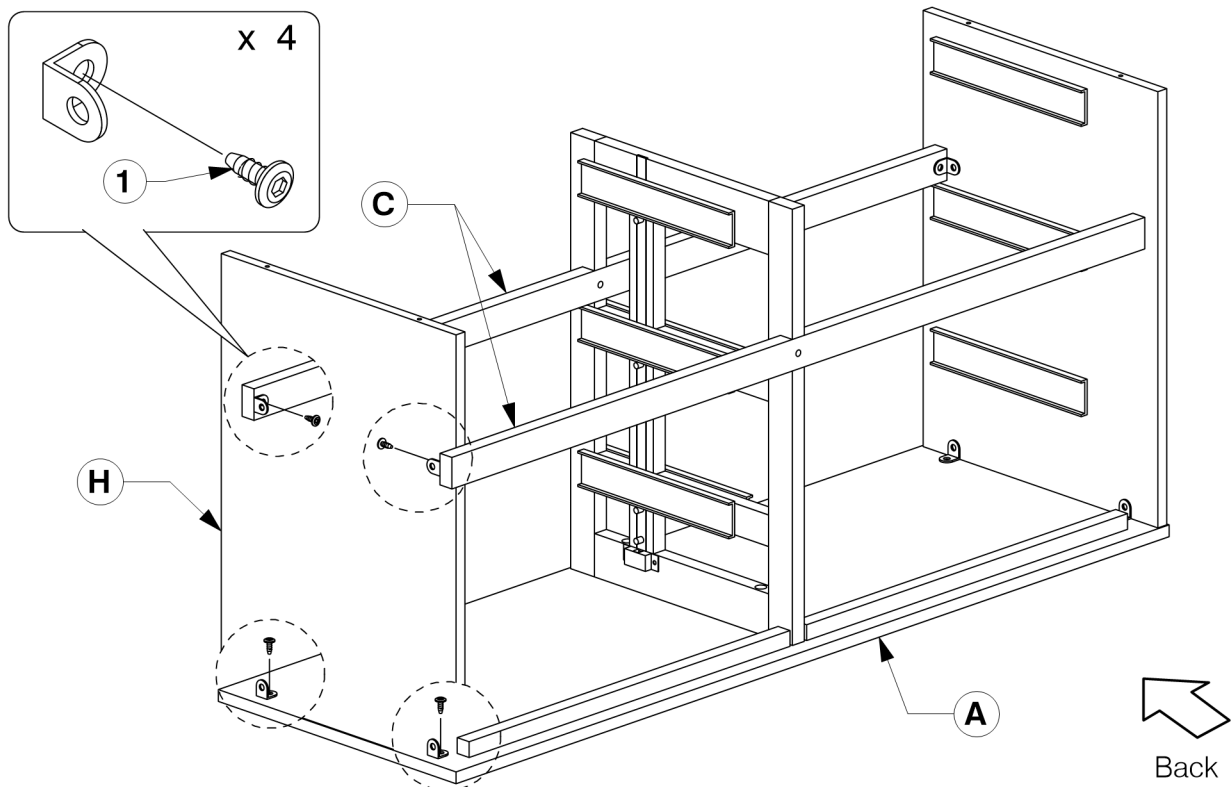
Assembly Instructions

WI-0724

- 6** Fit the Support Bar (C) to the Side Panel- Right Hand (K) & Center Frame (J) as shown.



- 7** Fit the other side of Side Panel- Left Hand (H) to the Top Panel (A) & Support Bar (C).

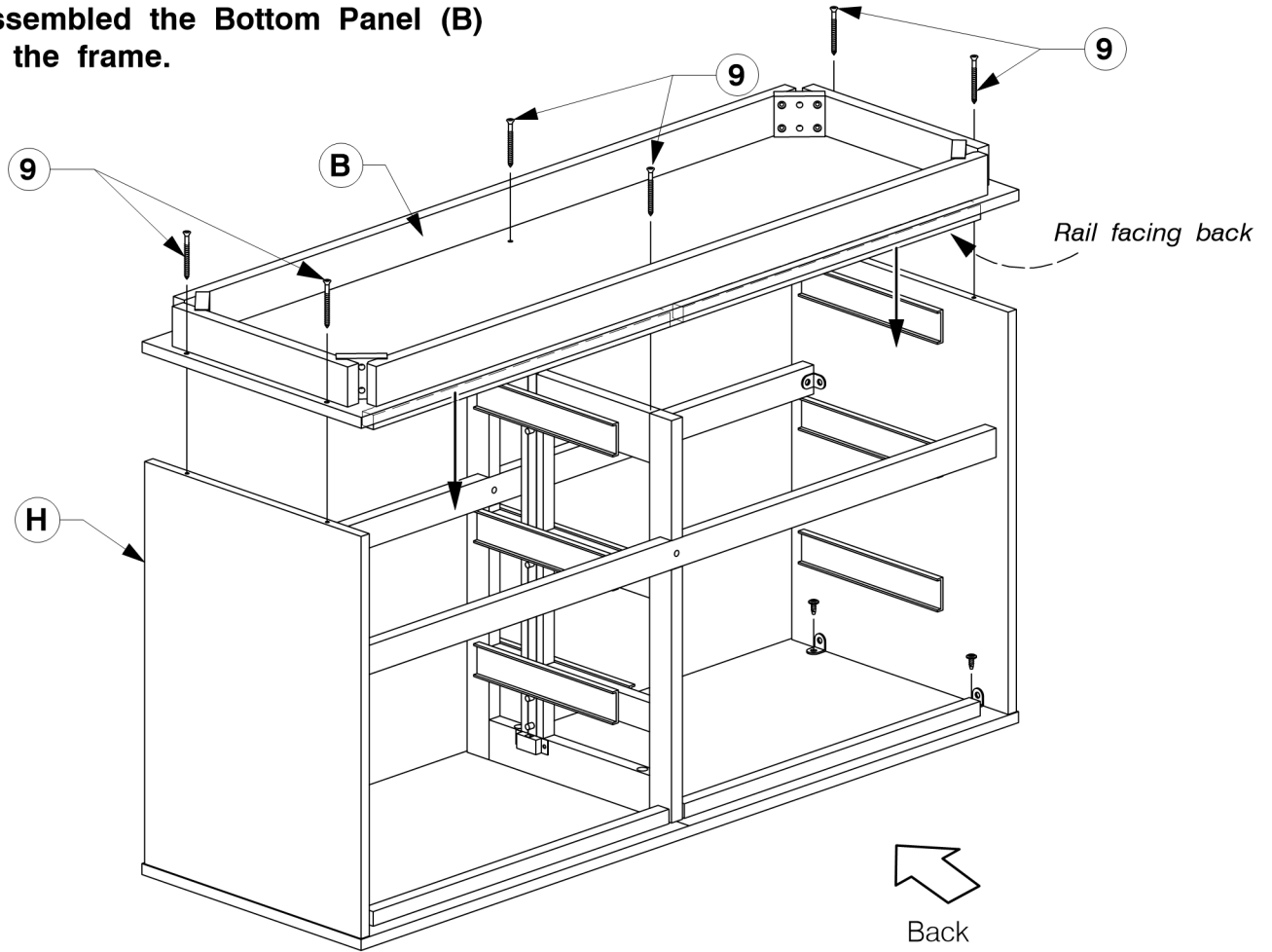


9013 6 Drawer Dresser

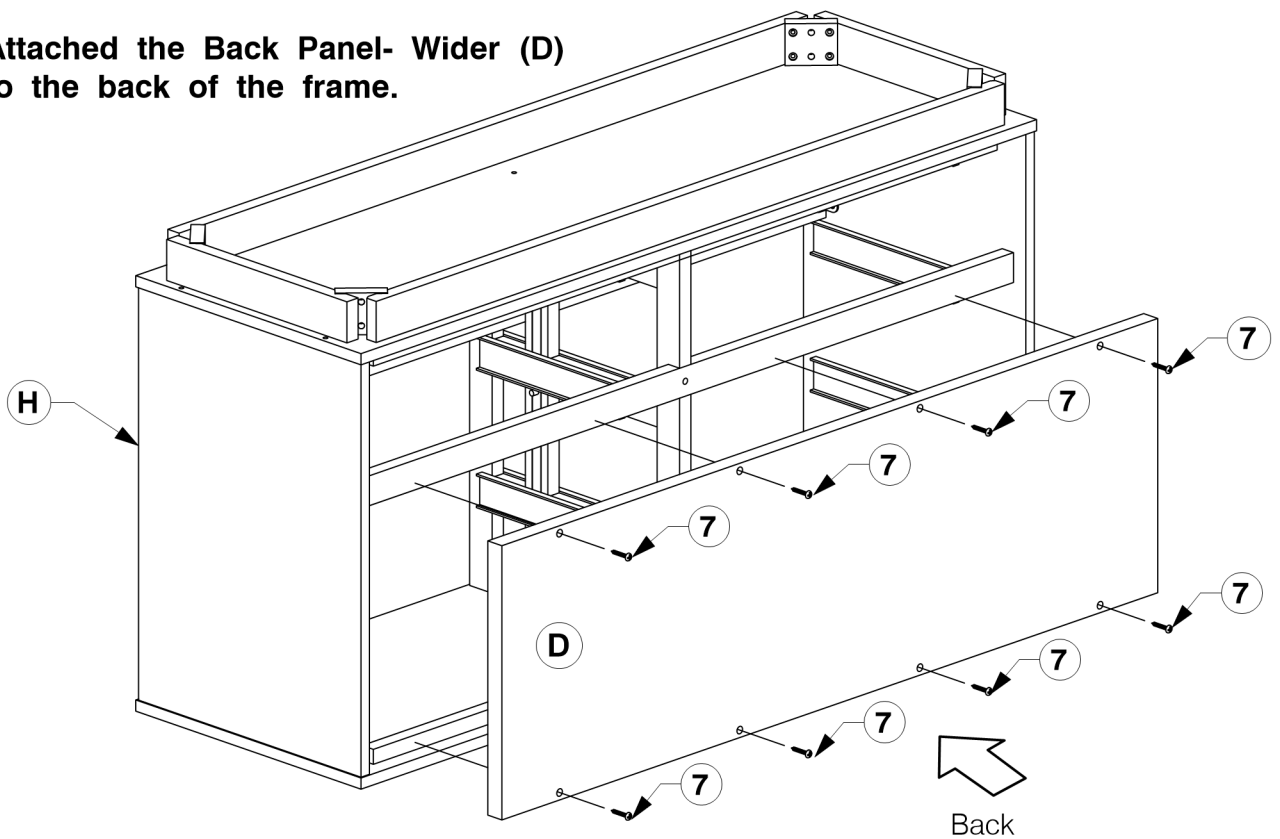
Assembly Instructions

WI-0724

- 8** Assembled the Bottom Panel (B) to the frame.



- 9** Attached the Back Panel- Wider (D) to the back of the frame.

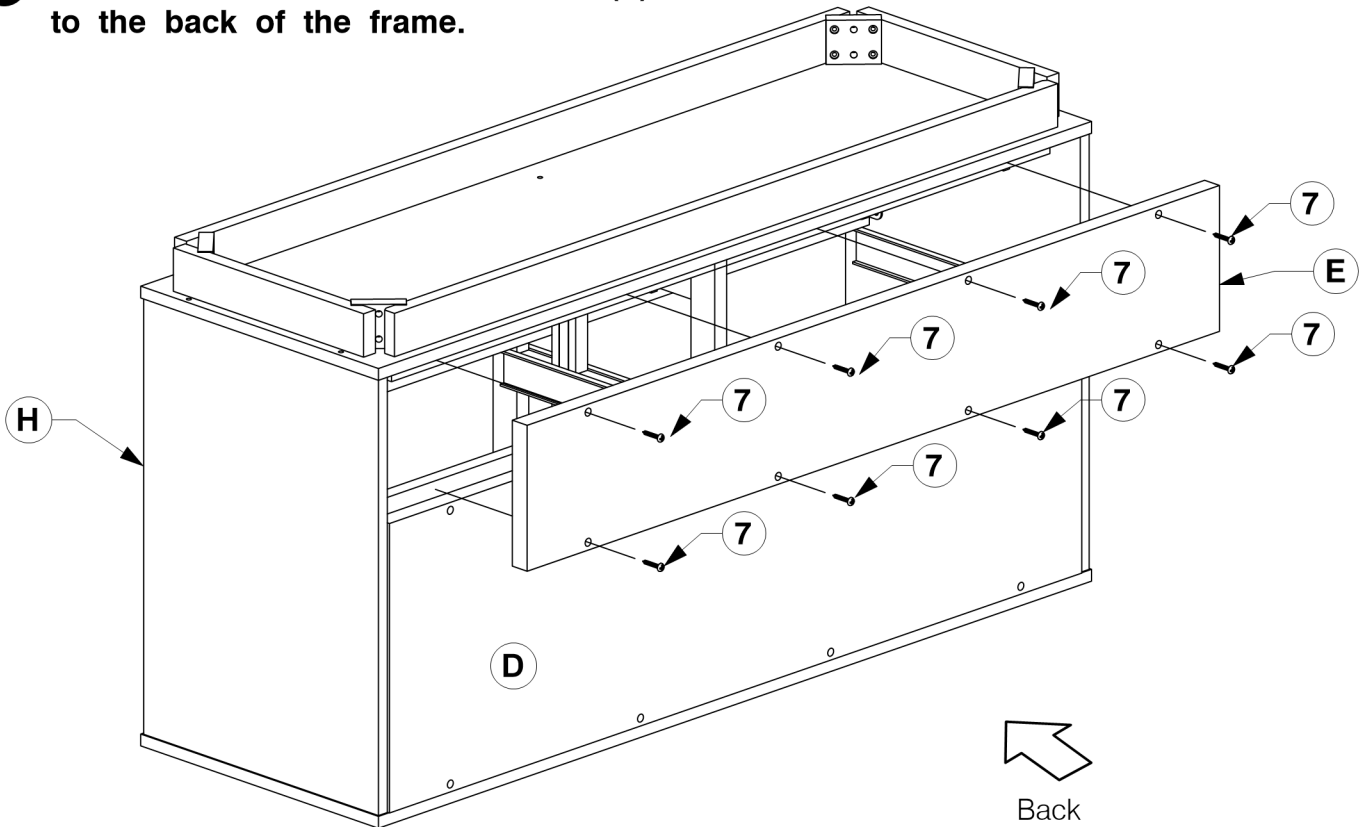


9013 6 Drawer Dresser

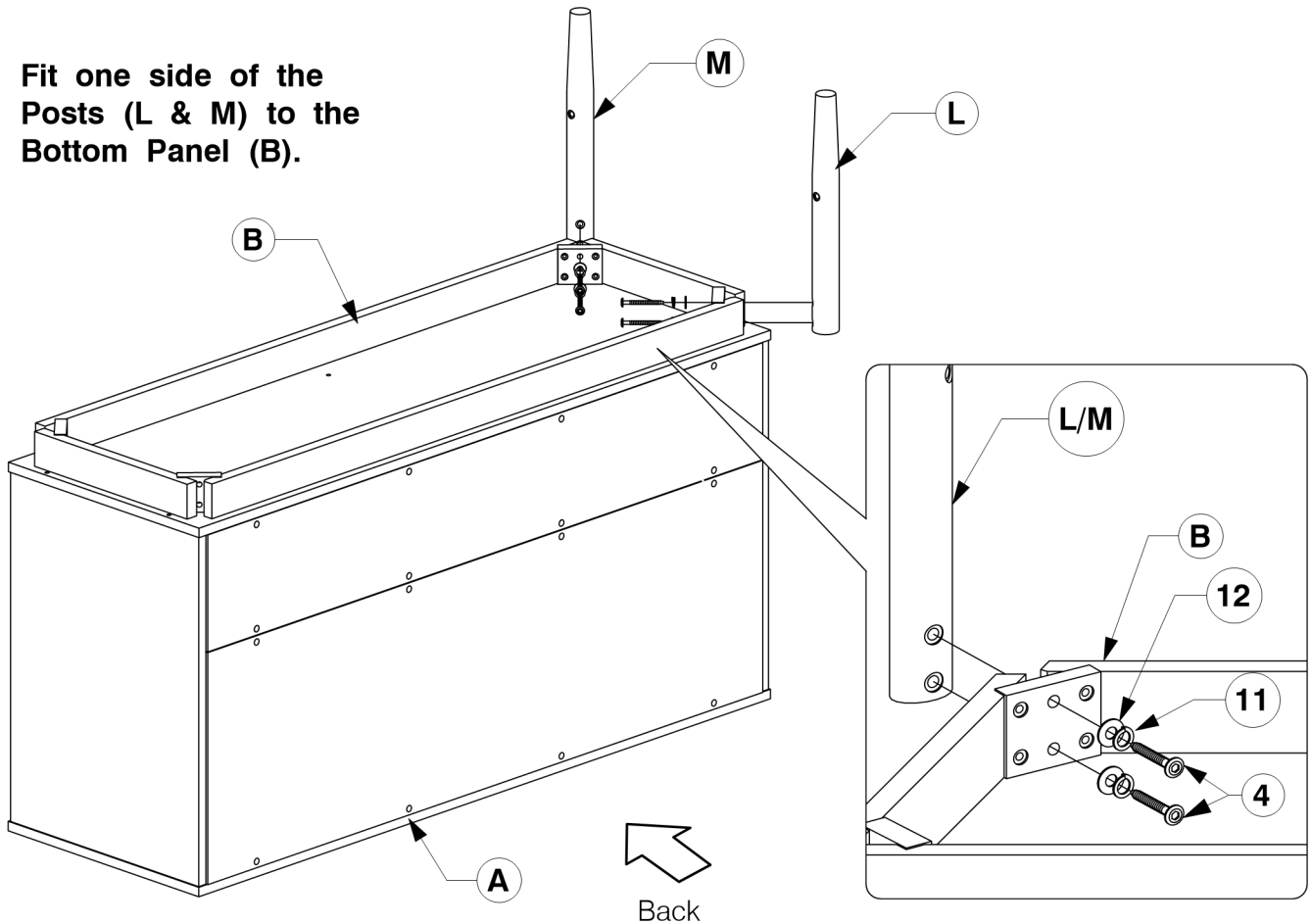
Assembly Instructions

WI-0724

- 10** Attached the Back Panel- Narrow (E) to the back of the frame.



- 11** Fit one side of the Posts (L & M) to the Bottom Panel (B).

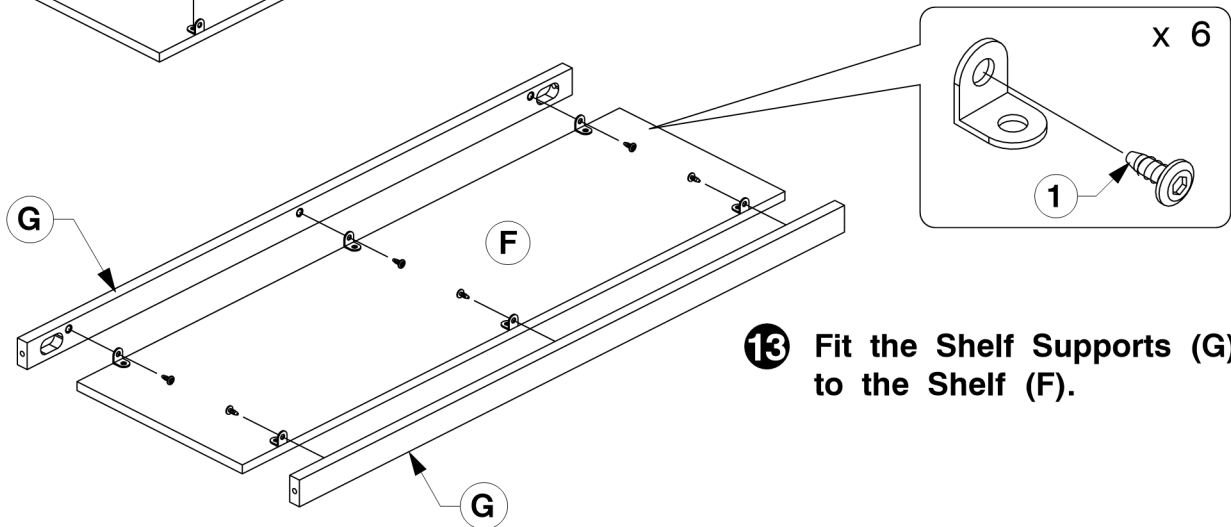
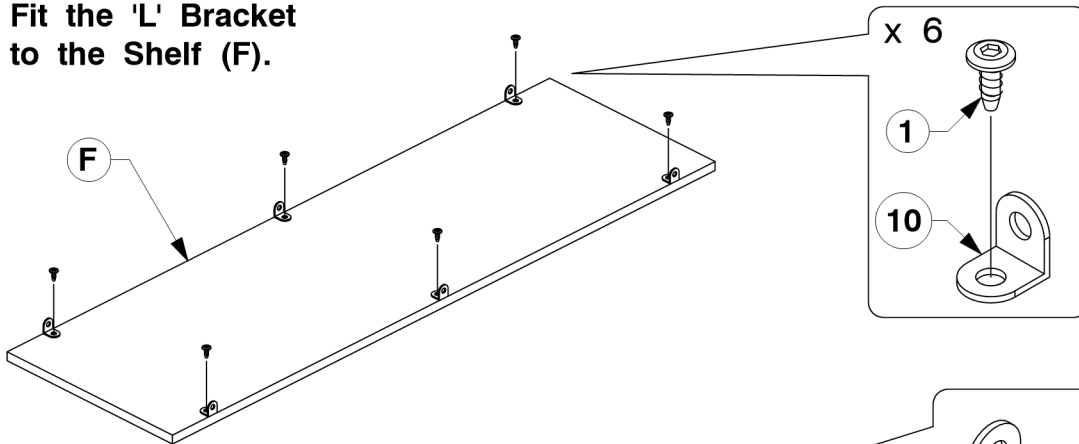


9013 6 Drawer Dresser

Assembly Instructions

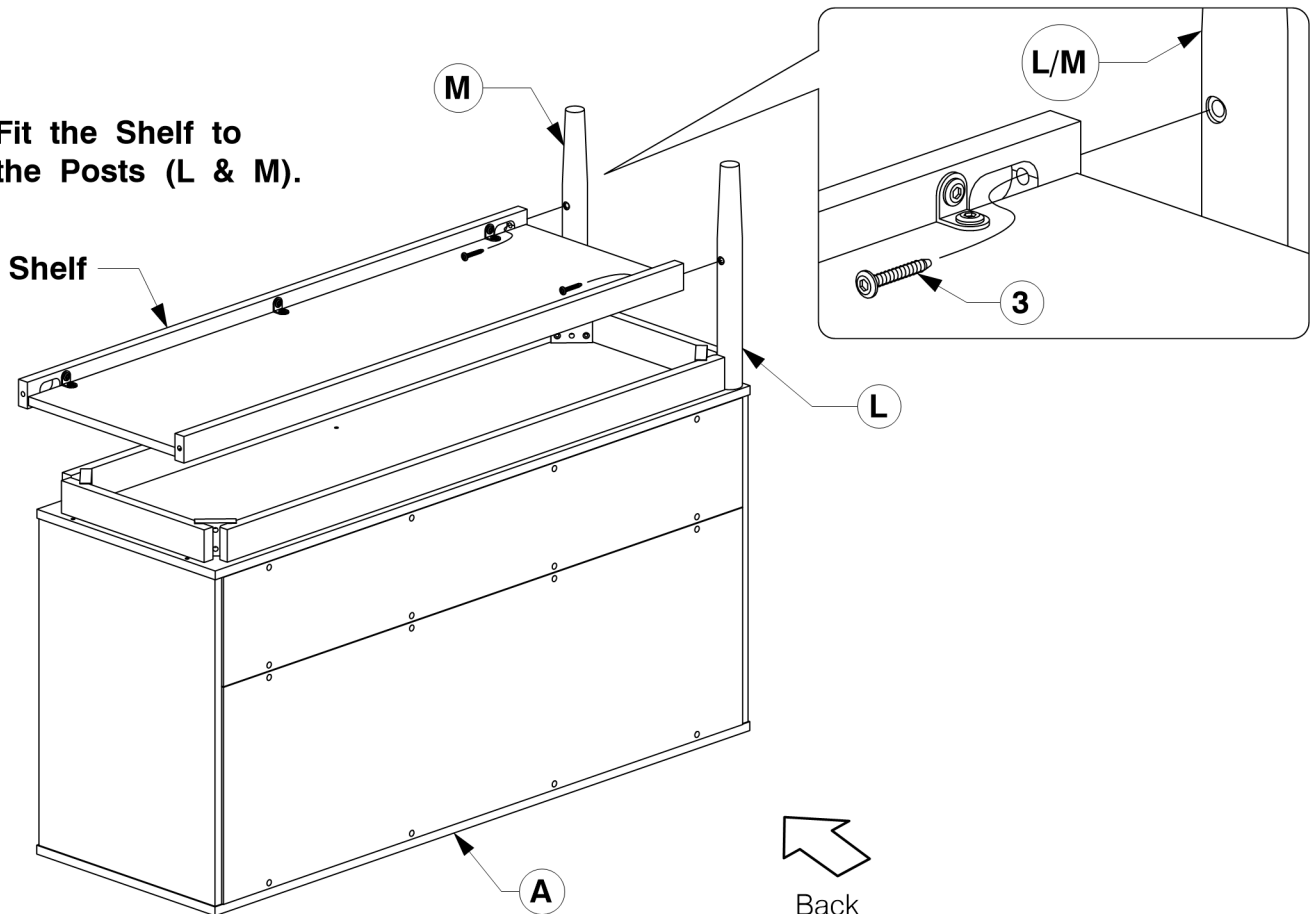
WI-0724

12 Fit the 'L' Bracket to the Shelf (F).



13 Fit the Shelf Supports (G) to the Shelf (F).

14 Fit the Shelf to the Posts (L & M).

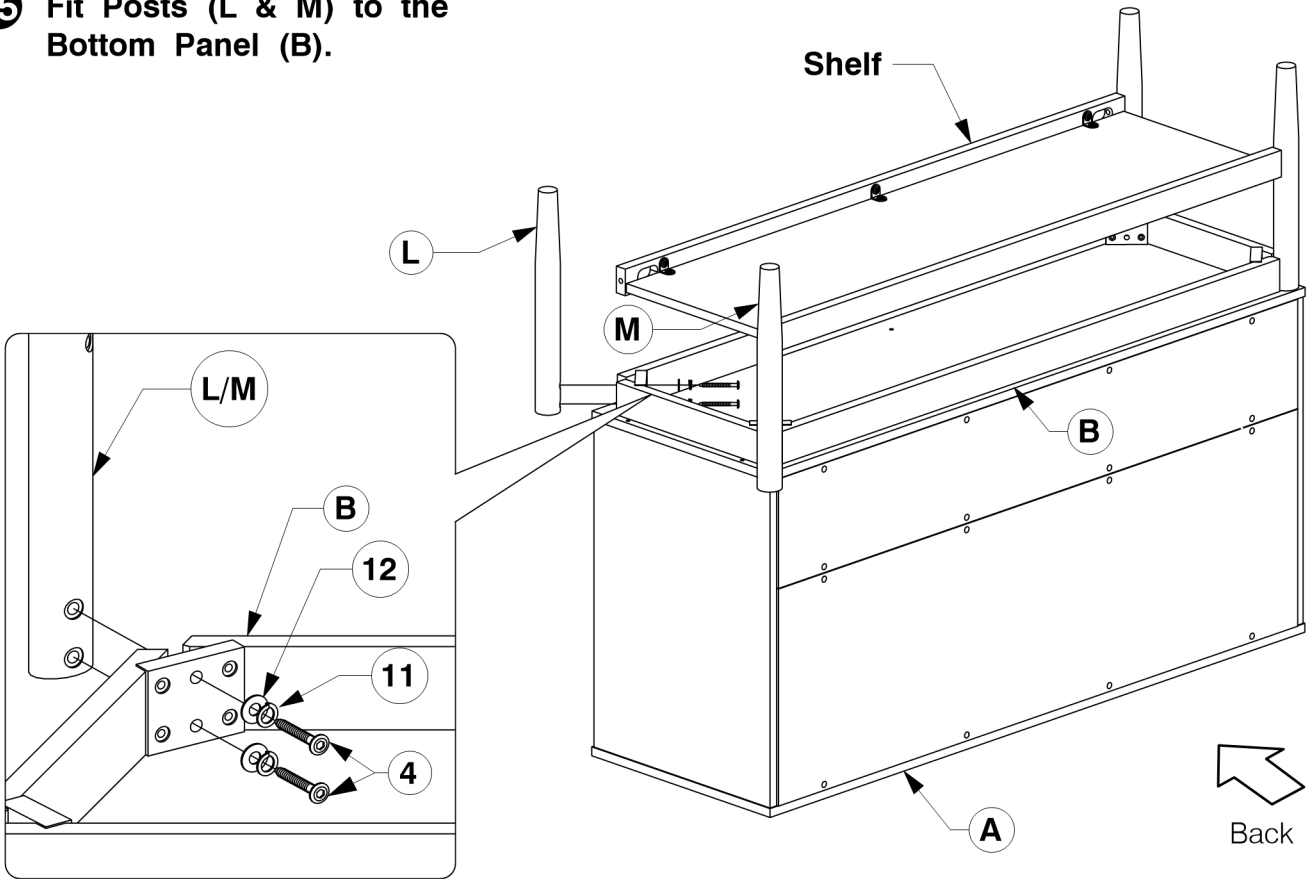


9013 6 Drawer Dresser

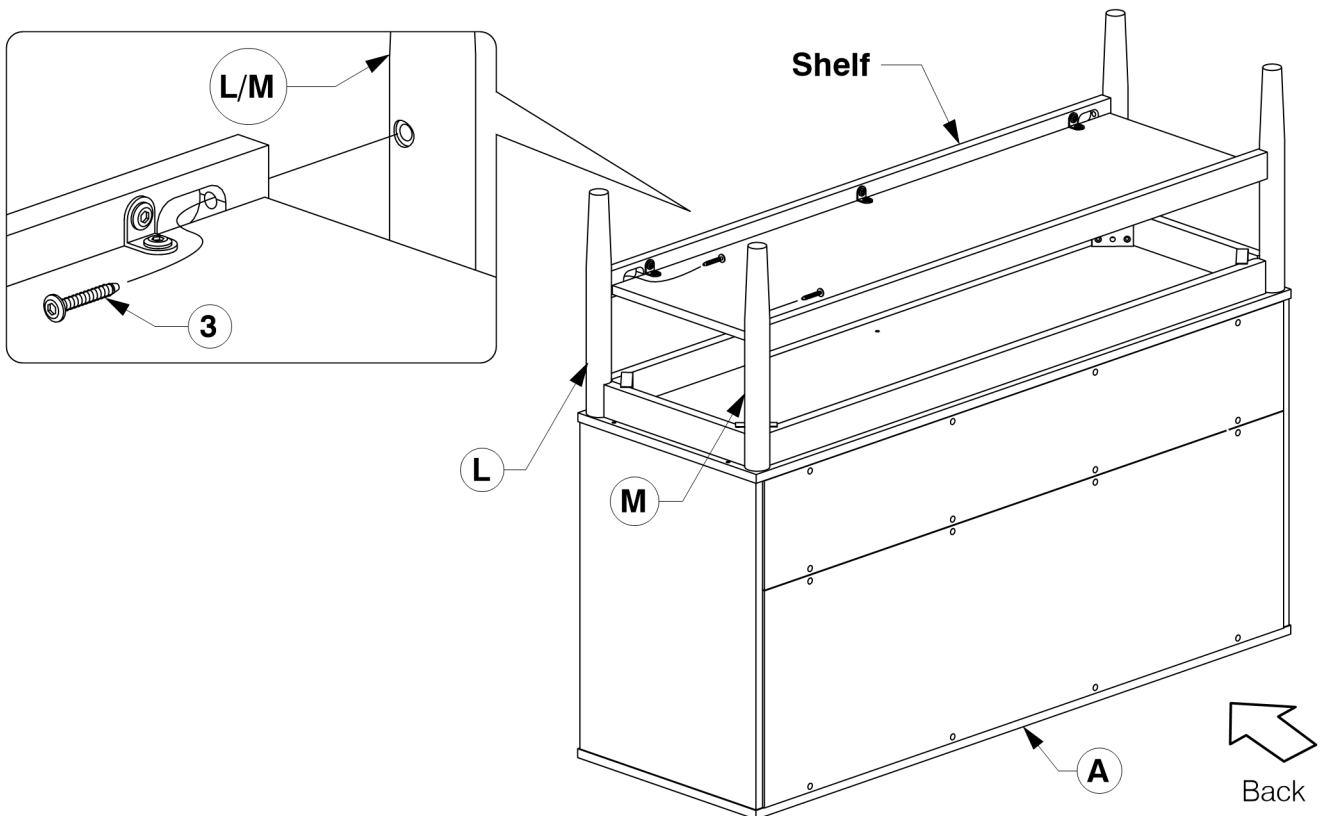
Assembly Instructions

WI-0724

- 15** Fit Posts (L & M) to the Bottom Panel (B).



- 16** Tighten the Shelf to the Posts (L & M).



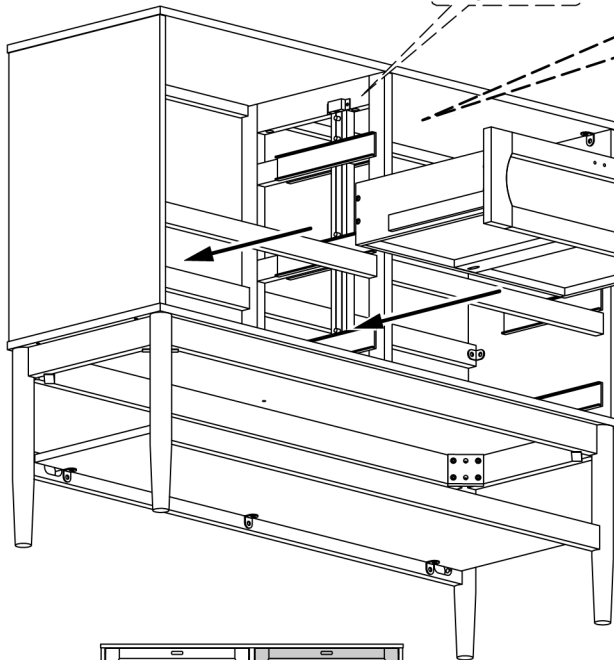
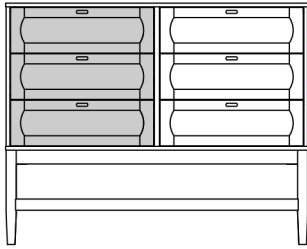
9013 6 Drawer Dresser

Assembly Instructions

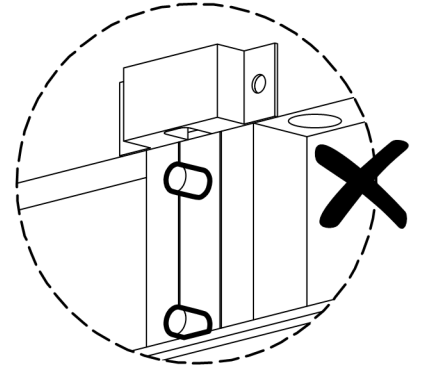
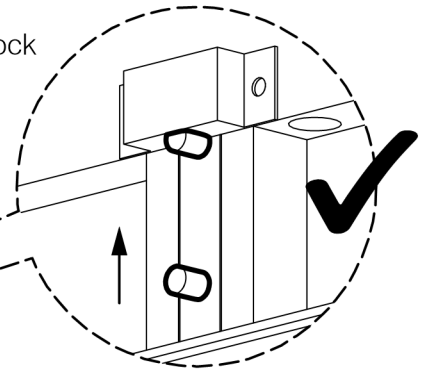
WI-0724

17 Install the Drawers.

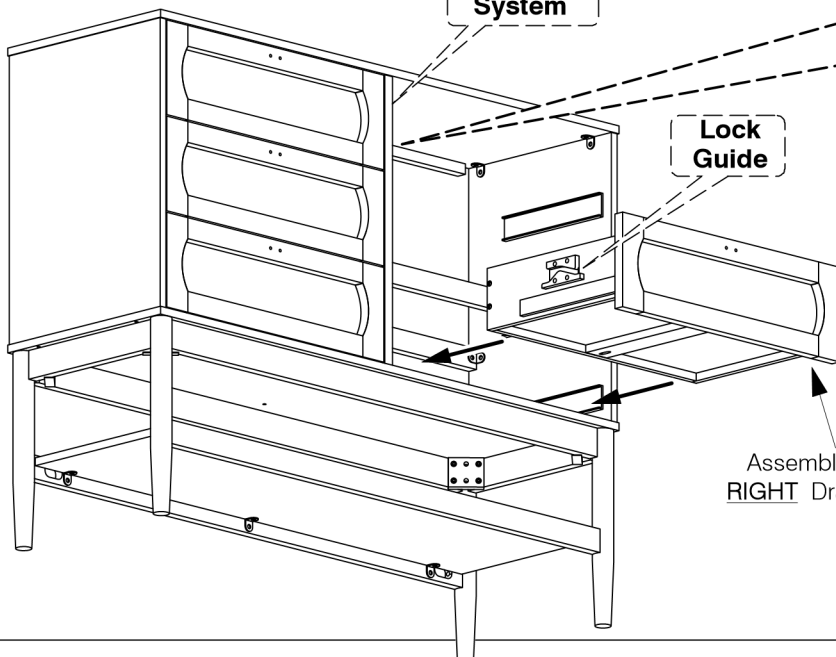
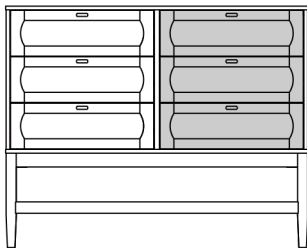
LEFT



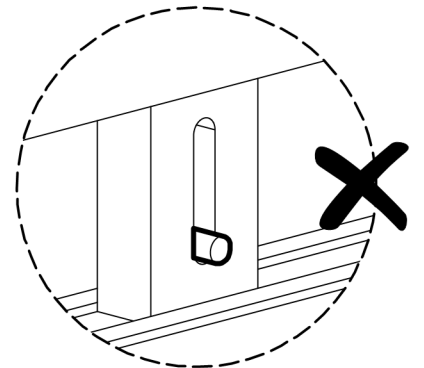
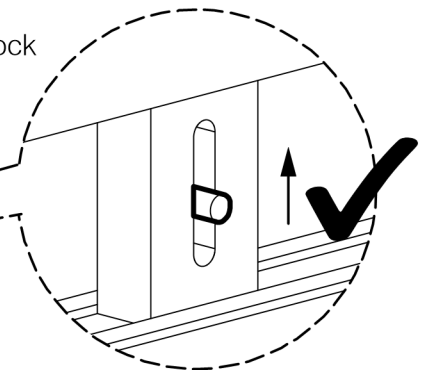
- Push the interlock bar **upwards** before inserting the drawers.



RIGHT



- Push the interlock bar **upwards** before inserting the drawers.



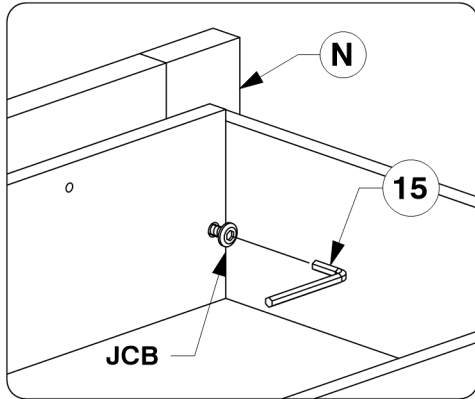
9013 6 Drawer Dresser

Assembly Instructions

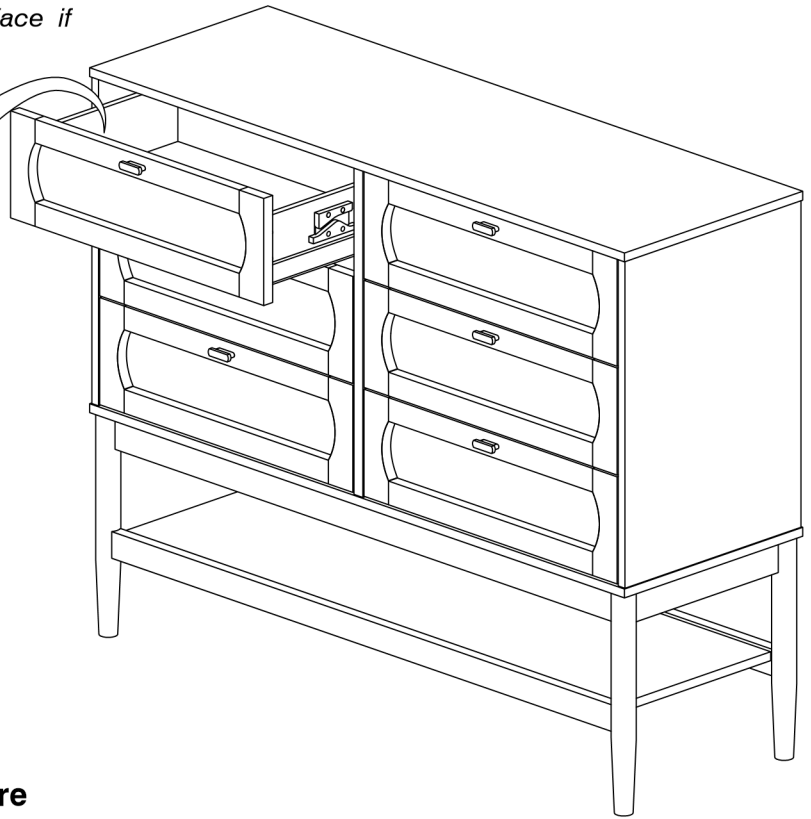
WI-0724

18 Adjust the Drawer Face (N).

* NOTE: Before fitting the Wood Screws.
Loosen the JCBs on the Drawer Face if
the face needs alignment.

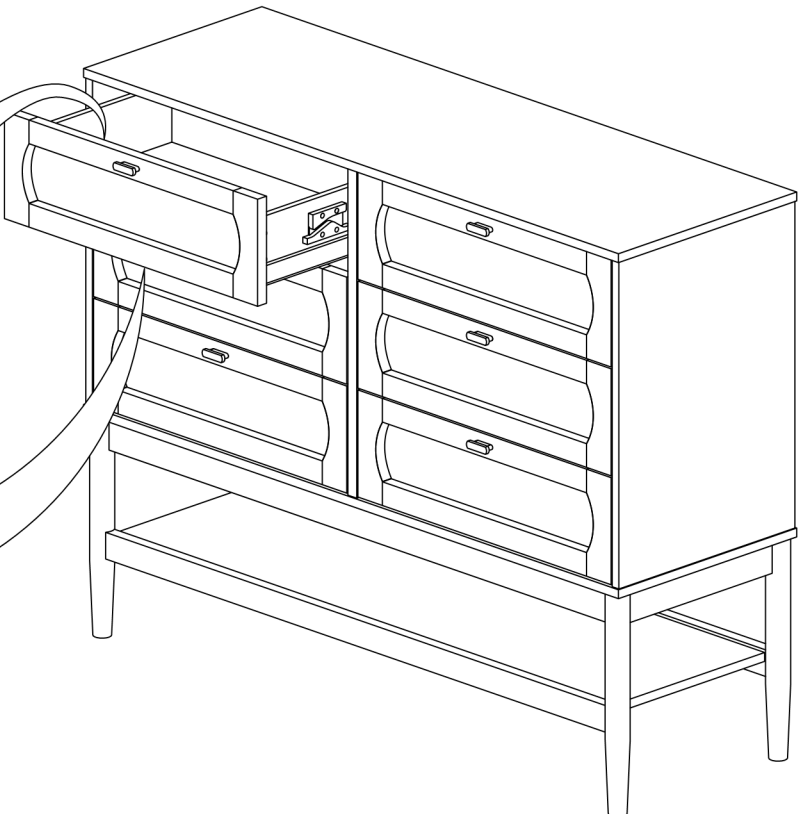
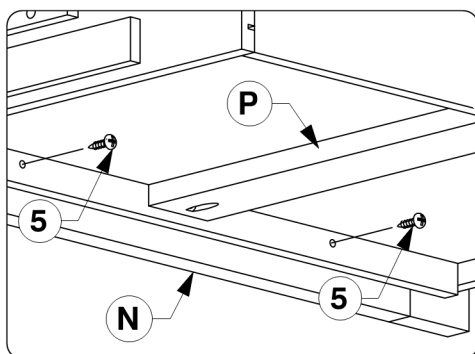
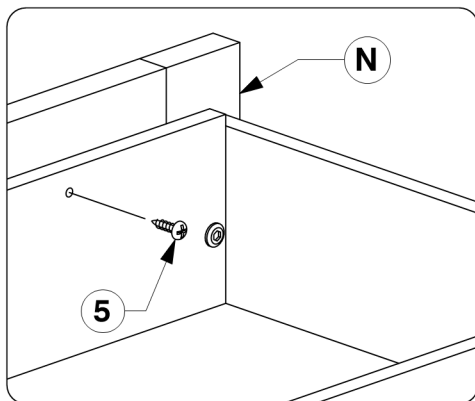


* NOTE: Only one drawer
can be open at a time.



19 After the Drawer Faces (N) are aligned, secure with wood screws.

* NOTE: Only one drawer
can be open at a time.



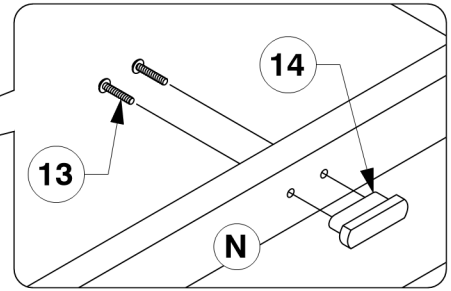
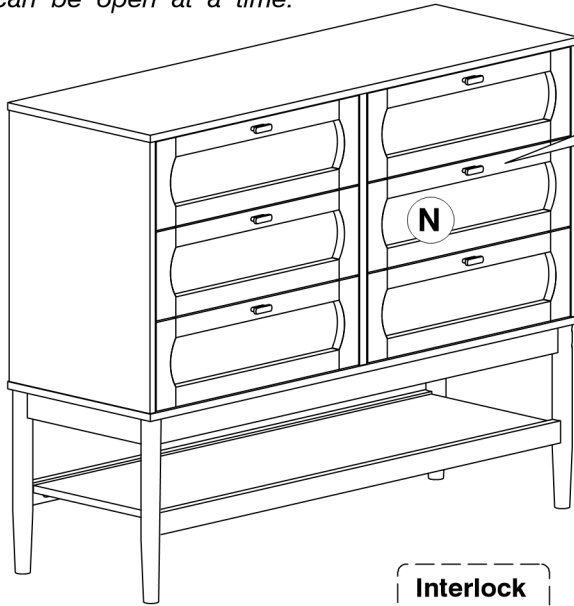
9013 6 Drawer Dresser

Assembly Instructions

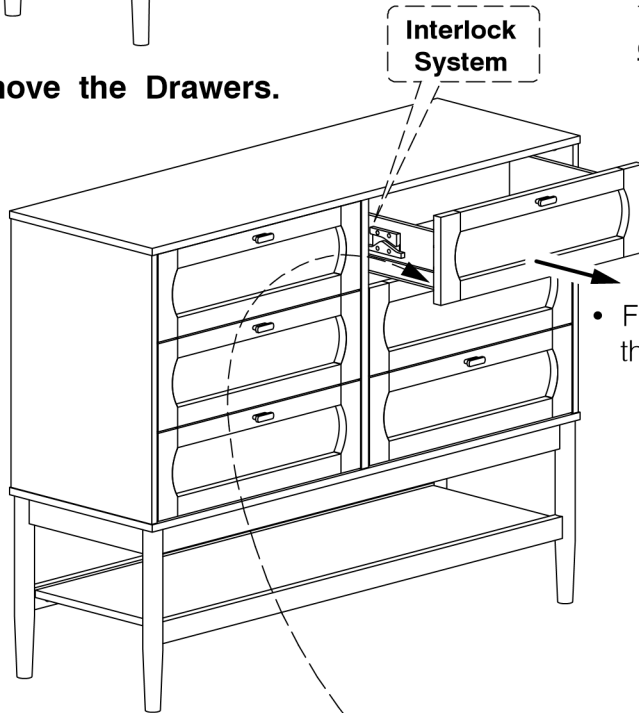
WI-0724

20 Finally, fit the Handle to the Drawer Face (N).

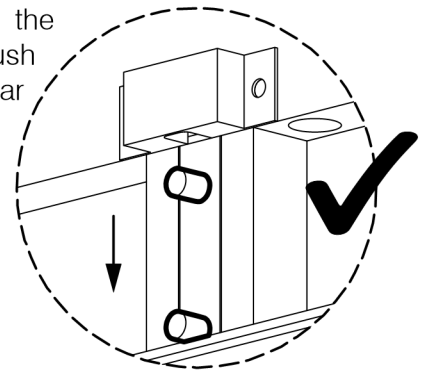
* NOTE: Only one drawer can be open at a time.



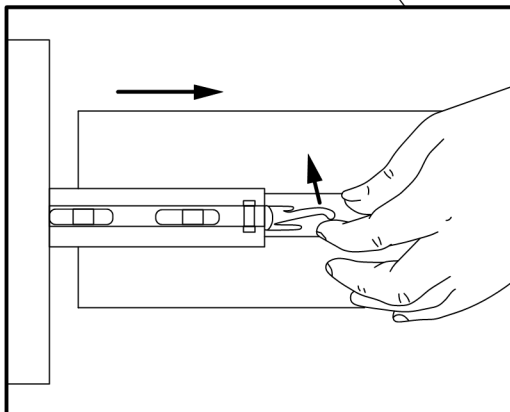
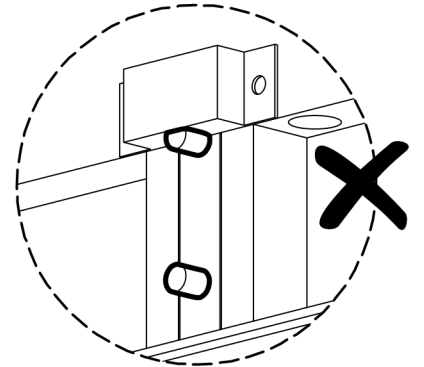
21 Remove the Drawers.



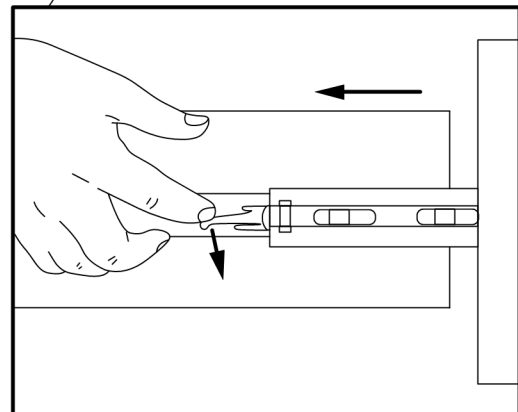
- After removing the top drawer, push the interlock bar **down**. Then remove the lower drawers.



- Fully open the Drawer.



- Lift the **LEFT** side clip up.

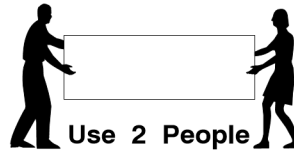
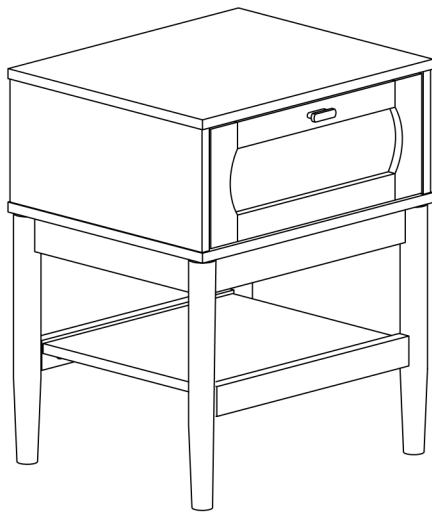


- Push **RIGHT** side clip down.

9013 1 Drawer 1 Shelf Nightstand

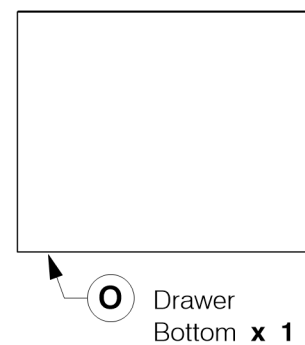
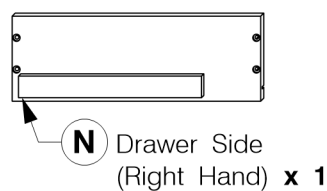
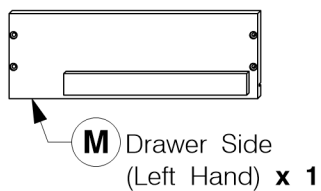
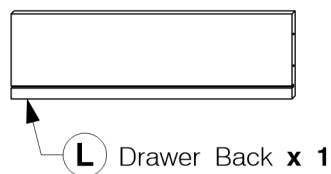
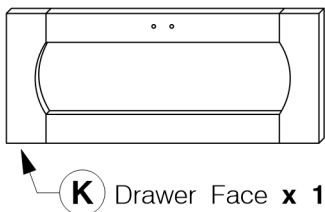
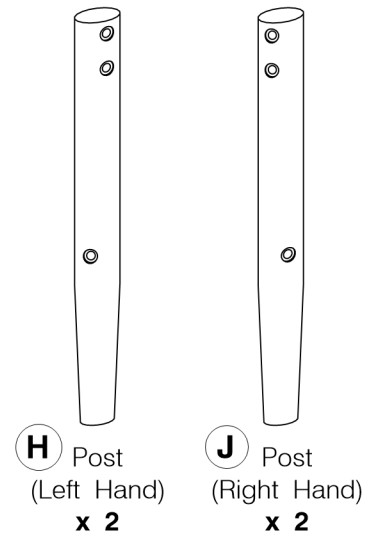
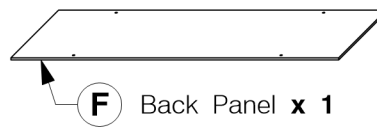
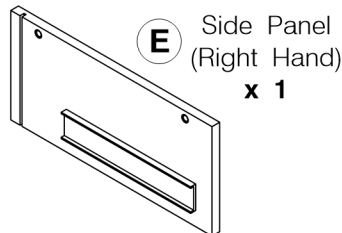
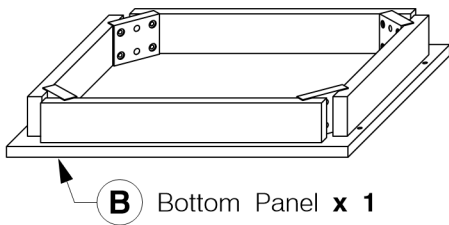
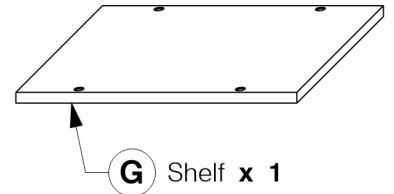
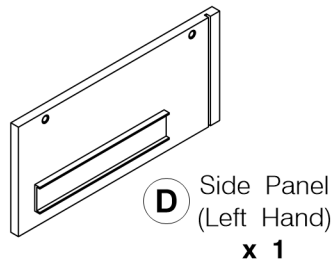
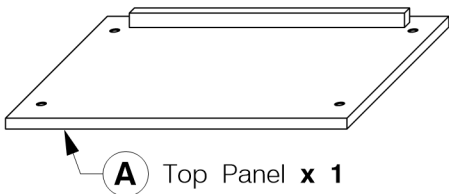
Assembly Instructions

WI-0724



Note: Do not assemble using power tools. This can cause the bolts to be overtightened

1 Parts List





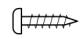
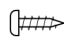





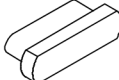



9013 1 Drawer 1 Shelf Nightstand

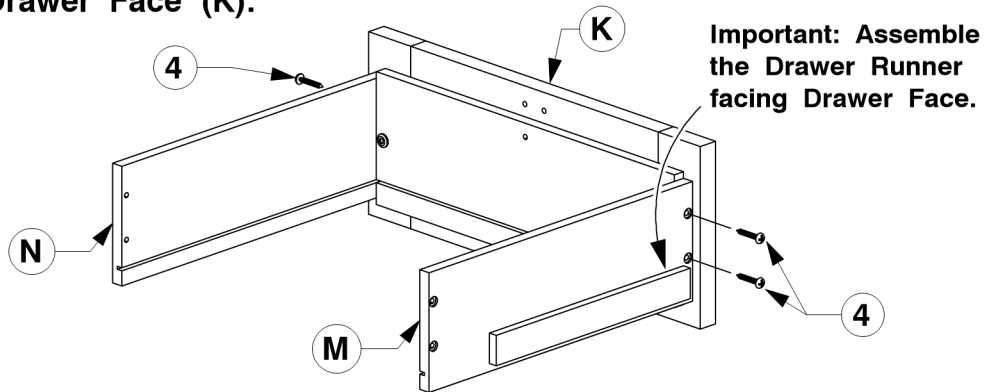
Assembly Instructions

WI-0724

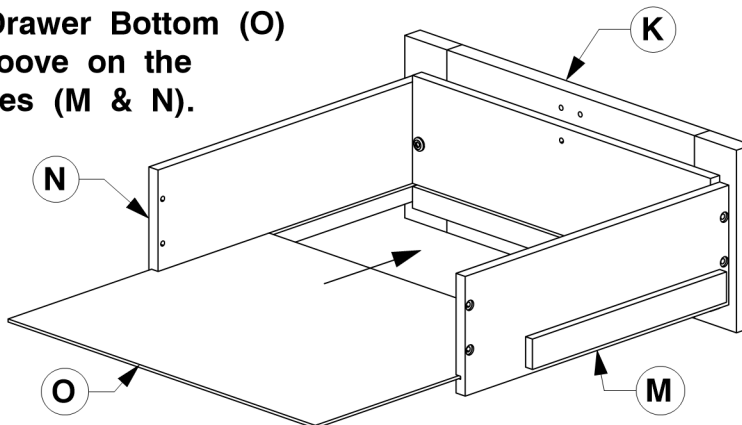
2 Hardware List

- | | | | | | | |
|--|--|--|---|---|---|--|
| 
1 M6 x 15mm JCB
x 16 | 
2 M6 x 40mm JCB
x 4 | 
3 M6 x 60mm JCB
x 8 | 
4 M4 x 25mm Wood Screw
x 8 | 
5 M4 x 20mm Wood Screw
x 2 | 
6 M4 x 16mm Wood Screw
x 4 | |
| 
7 CSK Cap Wood Screw (M6 x 60mm) x 4 | 
8 Spring Washer x 8 | 
9 Flat Washer x 8 | 
10 'L' Bracket (5005-3) x 8 | 
11 M4 x 25mm Wood Screw x 2 | 
12 Handle (3321-25) x 1 | 
13 Allen Key x 1 |

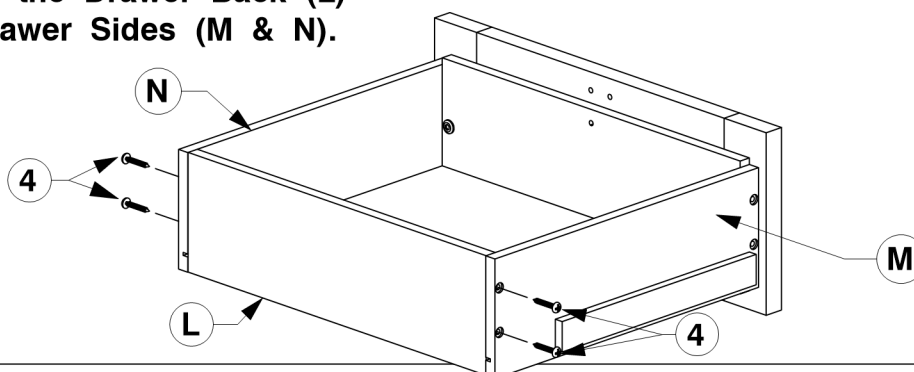
3 Assemble the Drawer Sides (M & N) to the Drawer Face (K).



4 Slide the Drawer Bottom (O) into the groove on the Drawer Sides (M & N).



5 Assemble the Drawer Back (L) to the Drawer Sides (M & N).

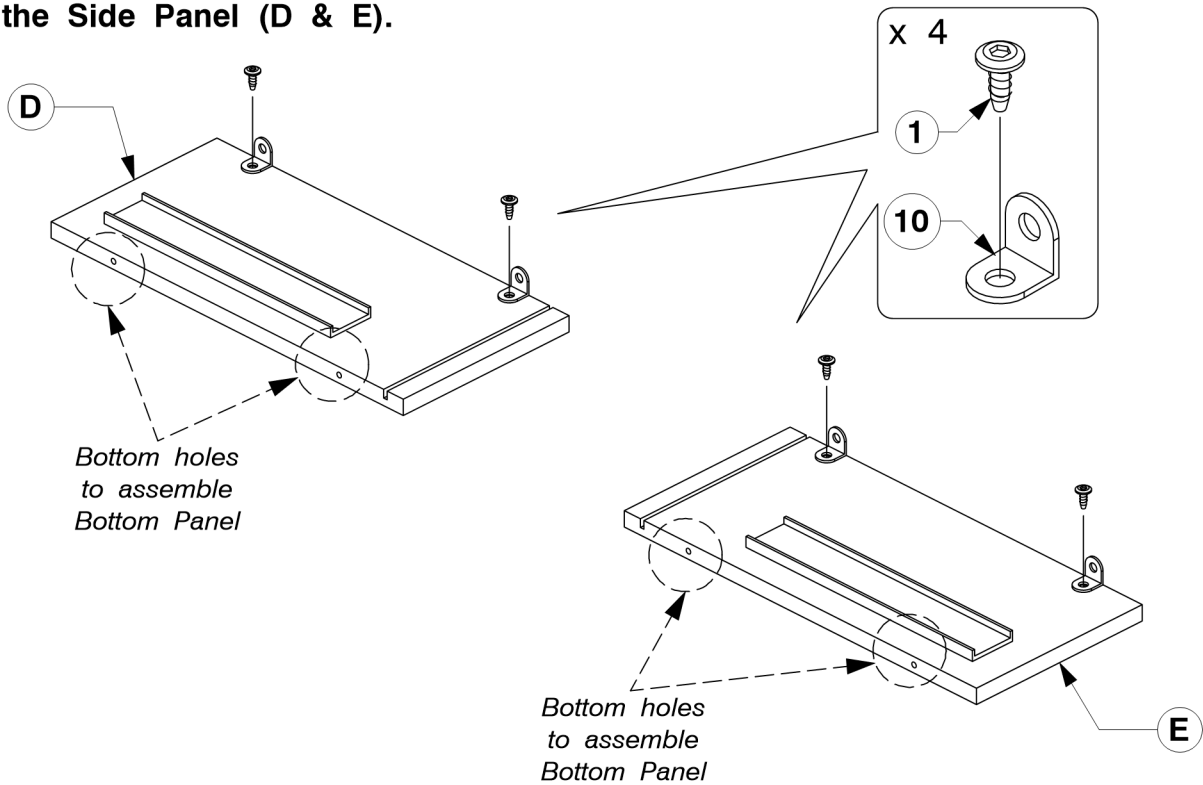


9013 1 Drawer 1 Shelf Nightstand

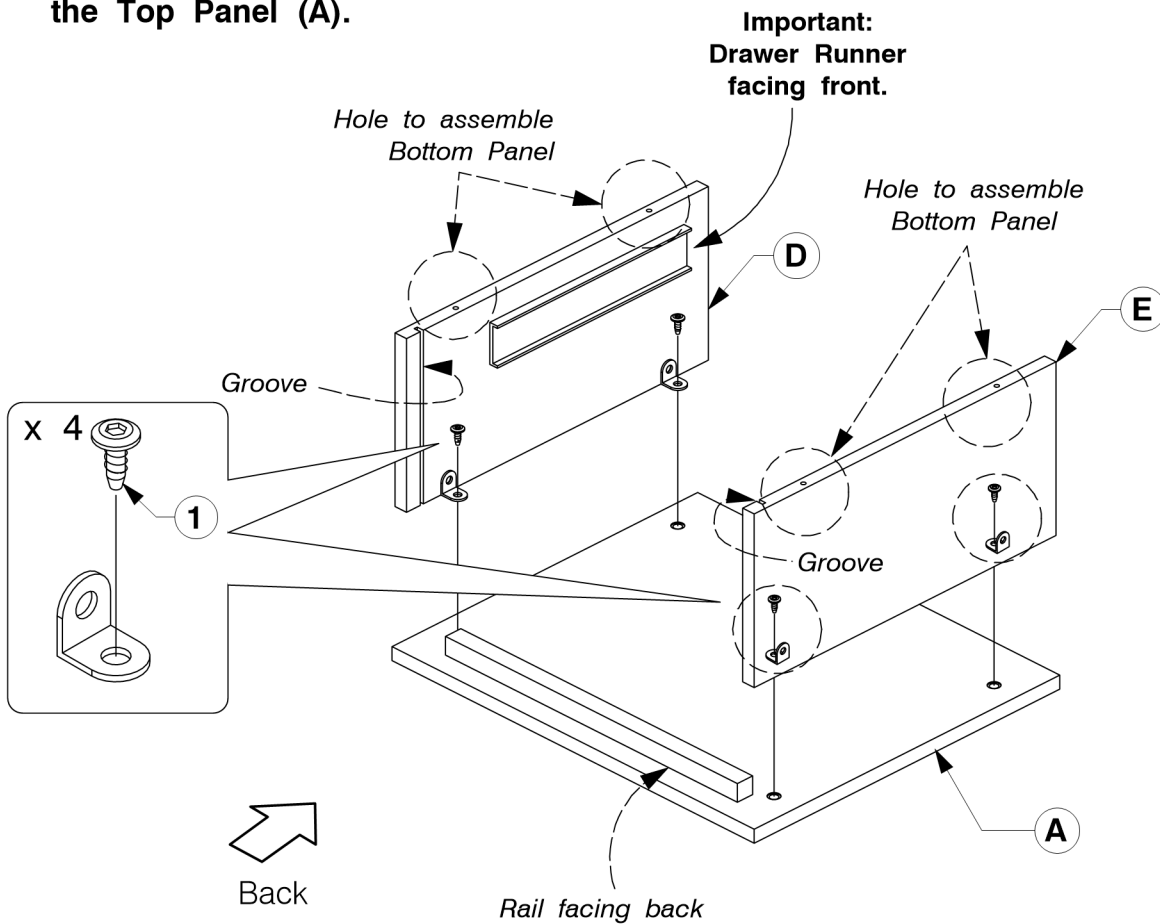
Assembly Instructions

WI-0724

6 Fit the 'L' Bracket to the Side Panel (D & E).



7 Assembled the Side Panel (D & E) to the Top Panel (A).

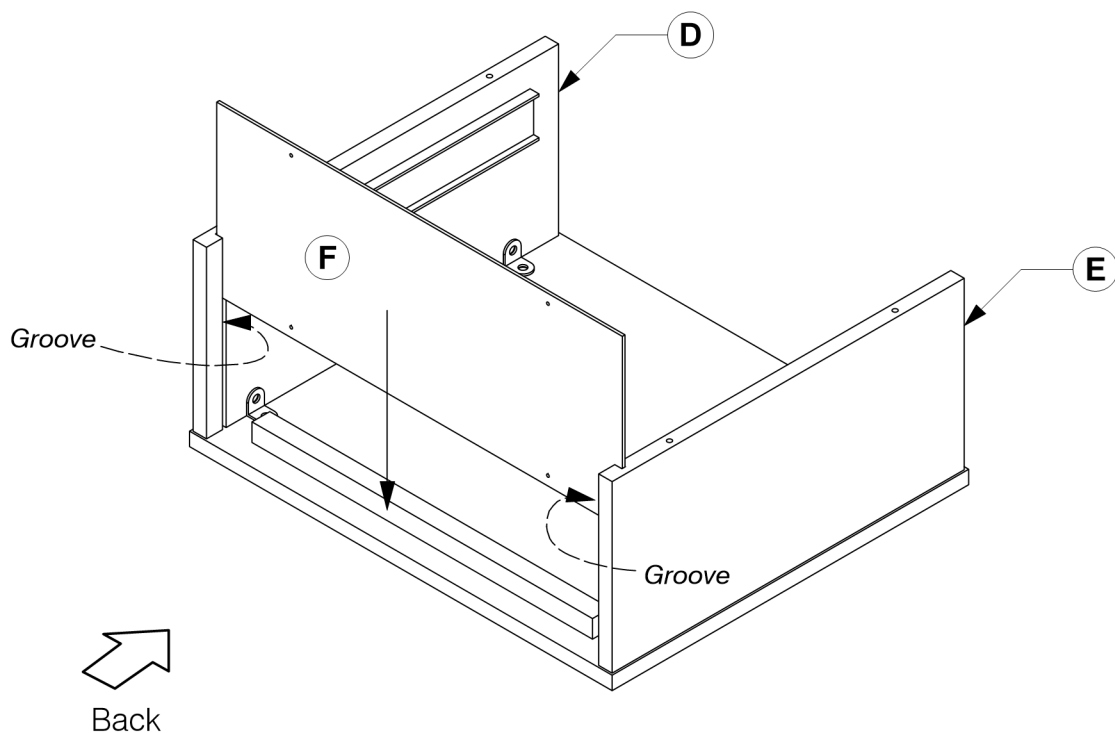


9013 1 Drawer 1 Shelf Nightstand

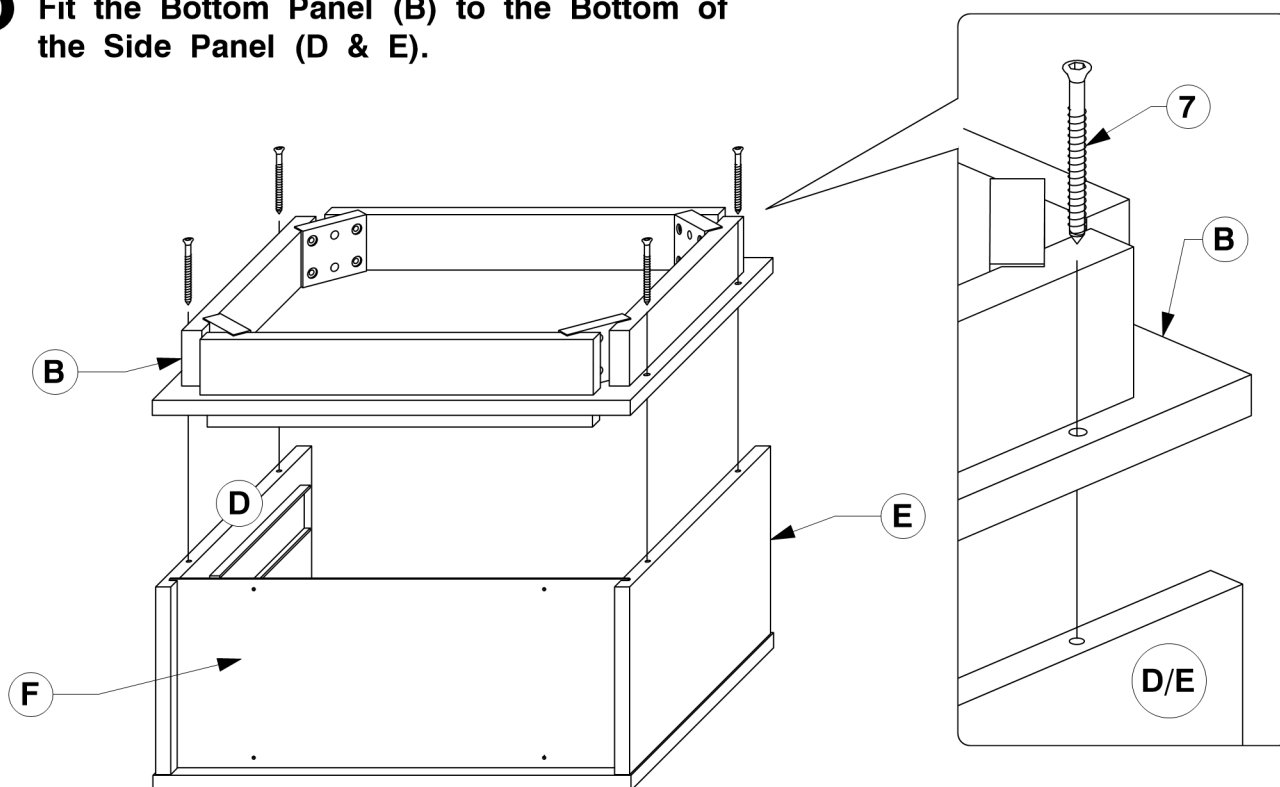
Assembly Instructions

WI-0724

- 8** Slide the Back Panel (F) into the groove on the back of the Side Panel (D & E).



- 9** Fit the Bottom Panel (B) to the Bottom of the Side Panel (D & E).

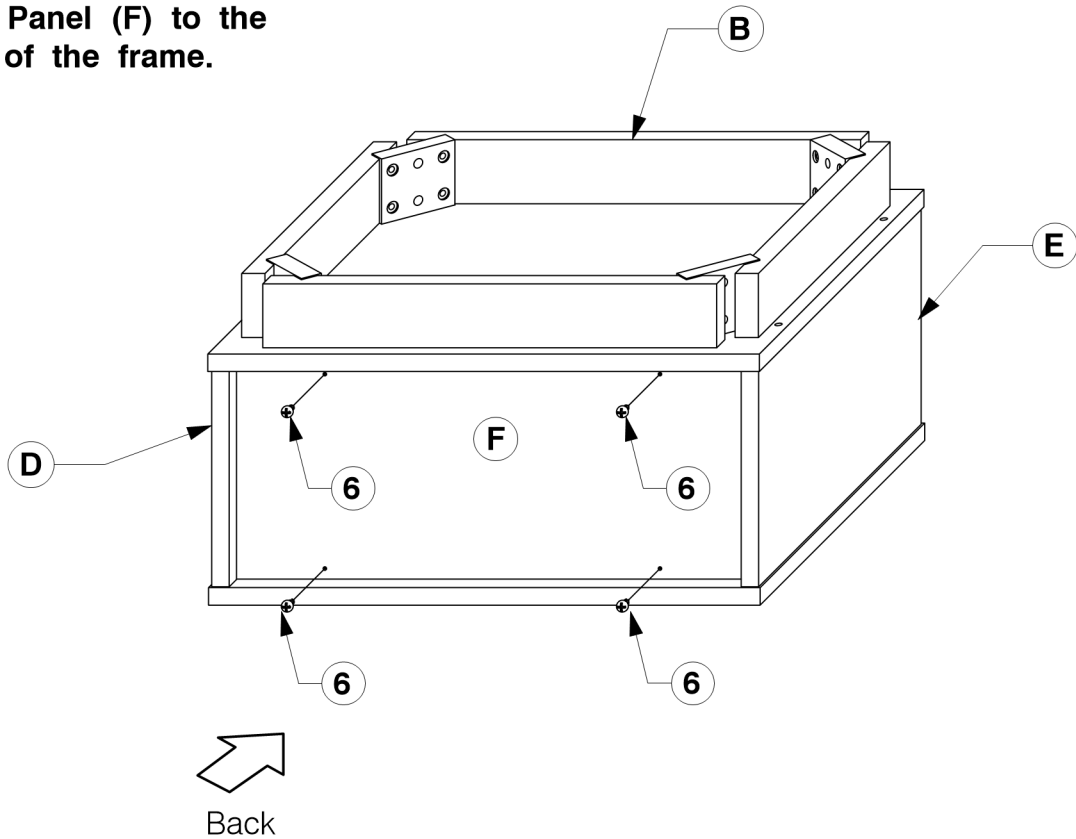


9013 1 Drawer 1 Shelf Nightstand

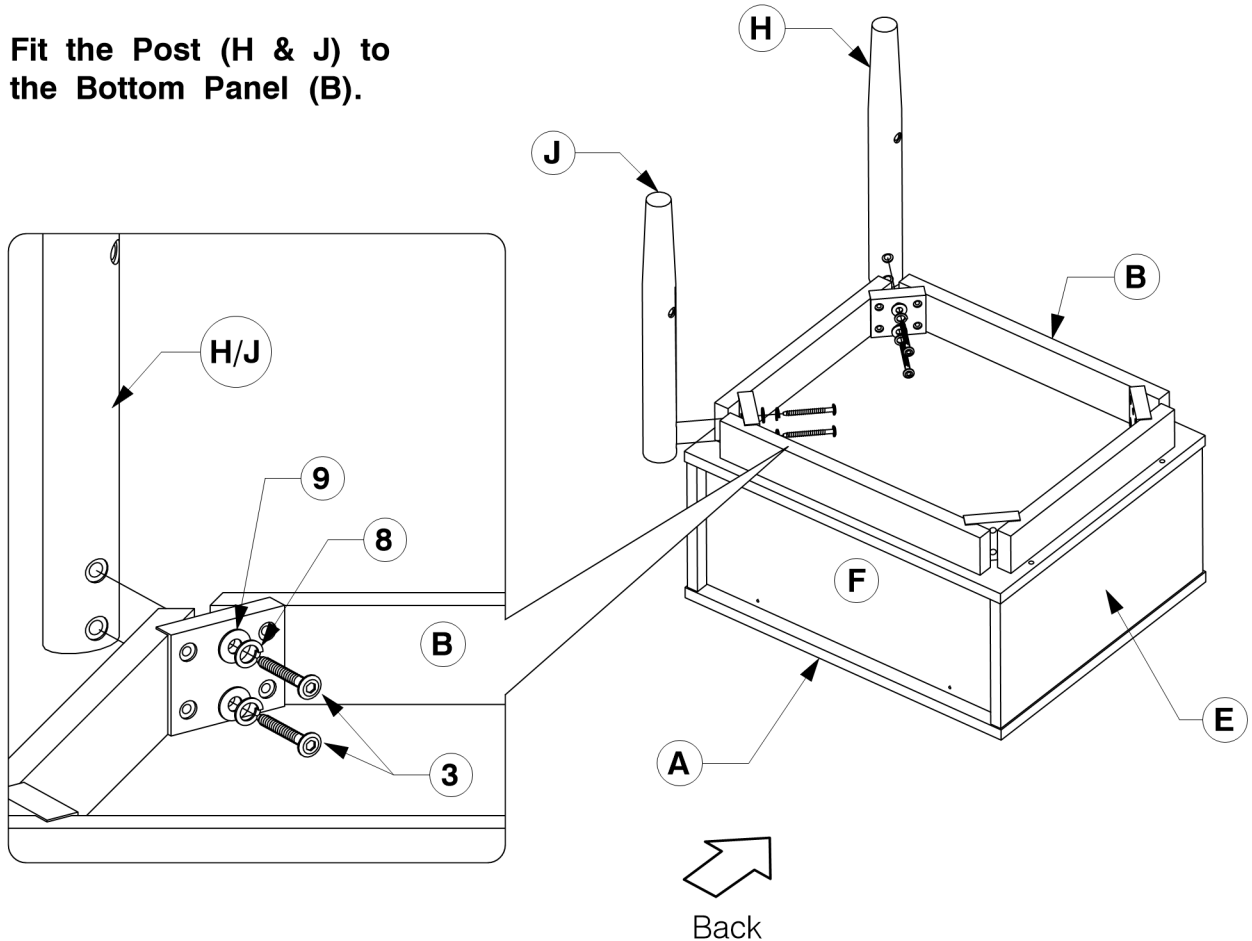
Assembly Instructions

WI-0724

- 10** Use screws to tighten the Back Panel (F) to the back of the frame.



- 11** Fit the Post (H & J) to the Bottom Panel (B).

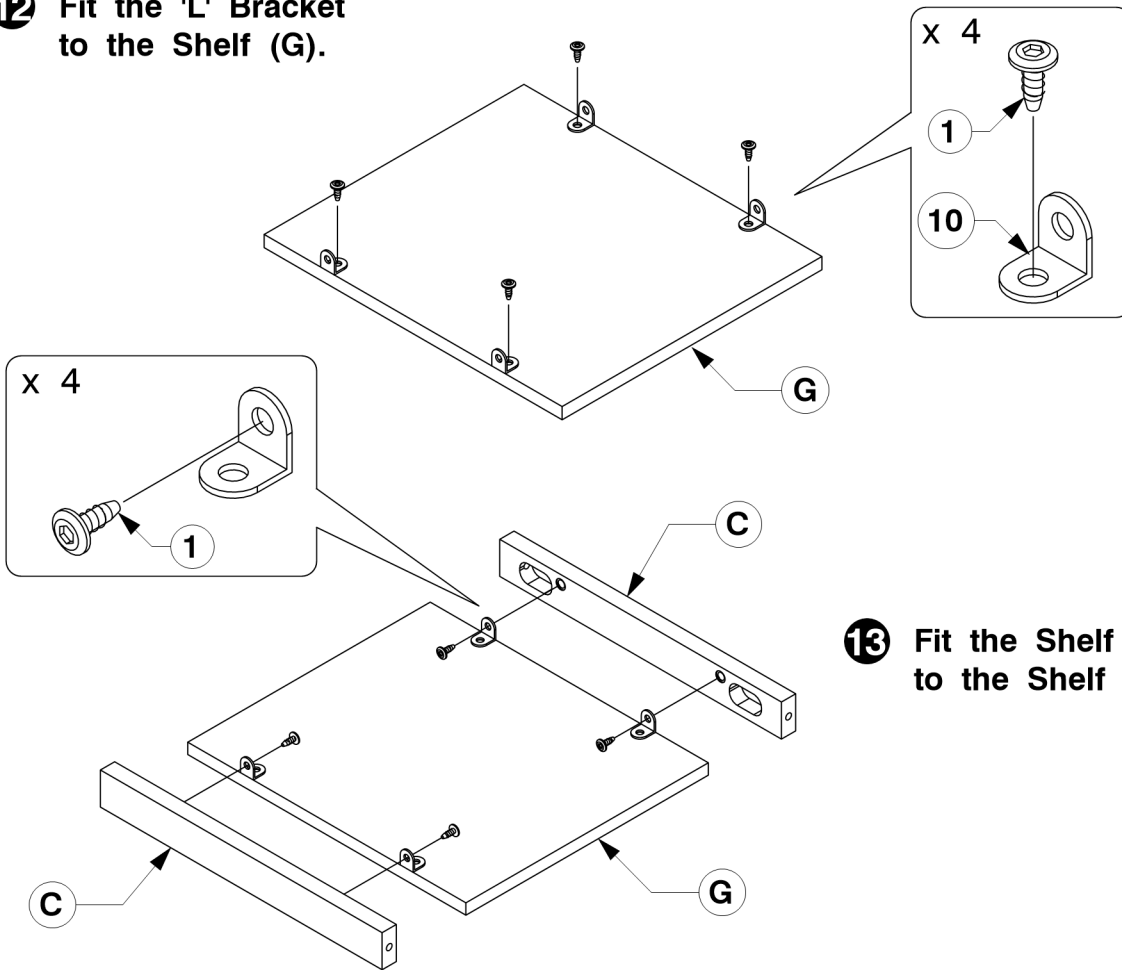


9013 1 Drawer 1 Shelf Nightstand

Assembly Instructions

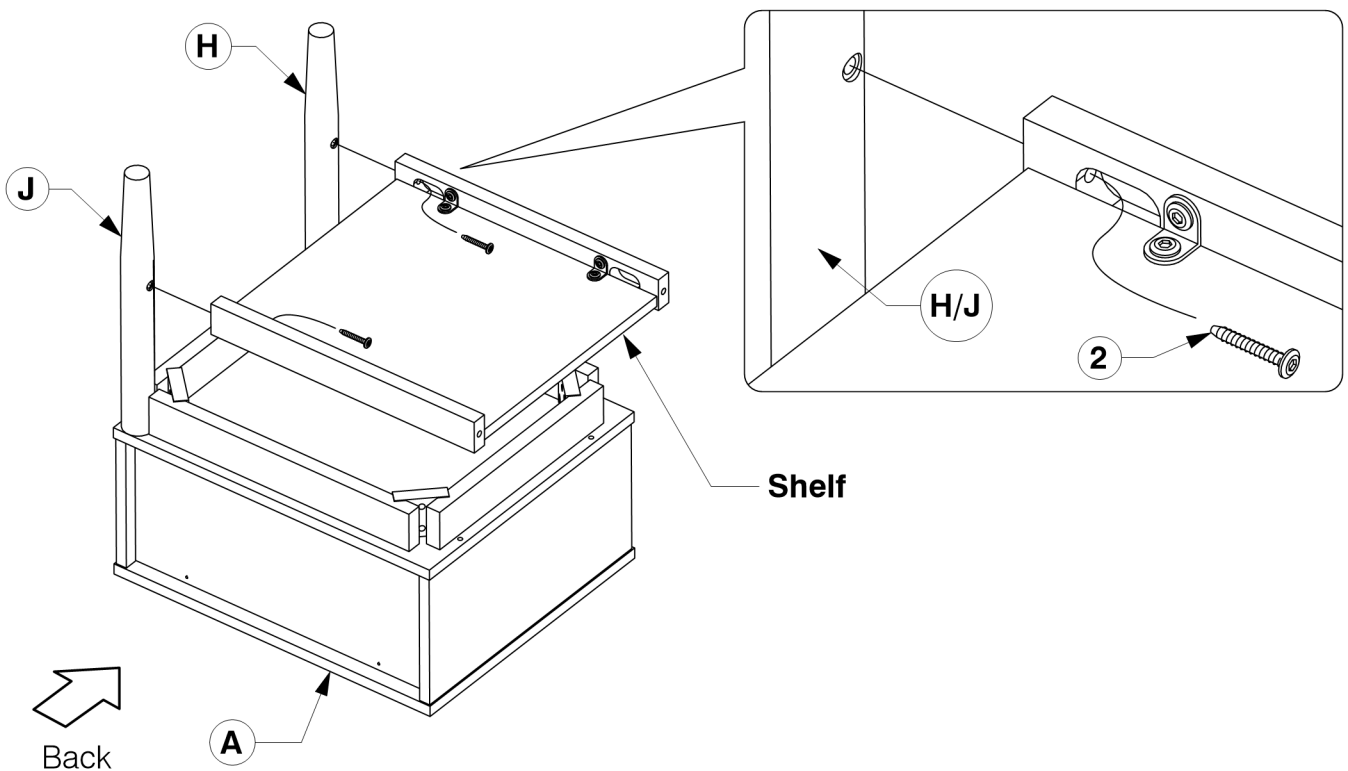
WI-0724

12 Fit the 'L' Bracket to the Shelf (G).



13 Fit the Shelf Supports (C) to the Shelf (G).

14 Fit the Shelf to the Posts (H & J).

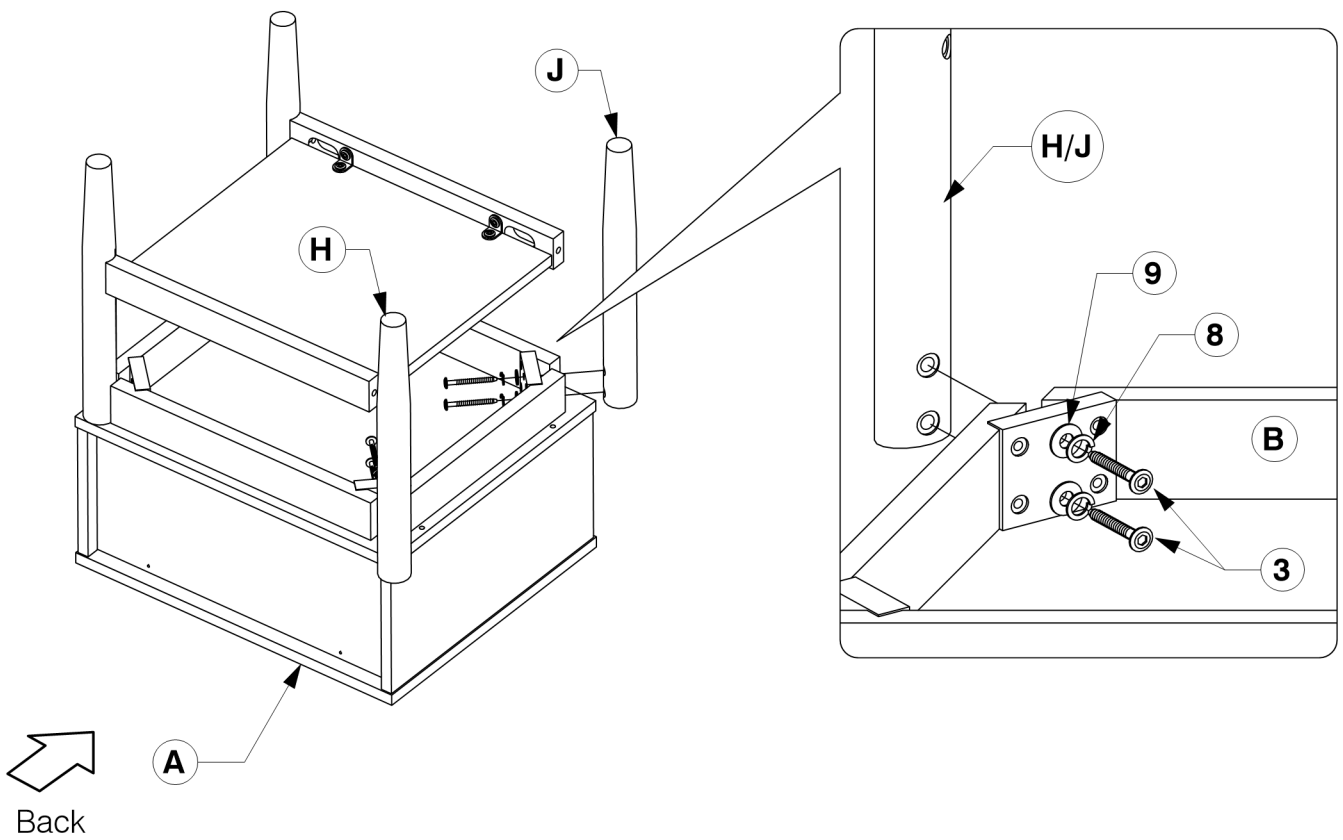


9013 1 Drawer 1 Shelf Nightstand

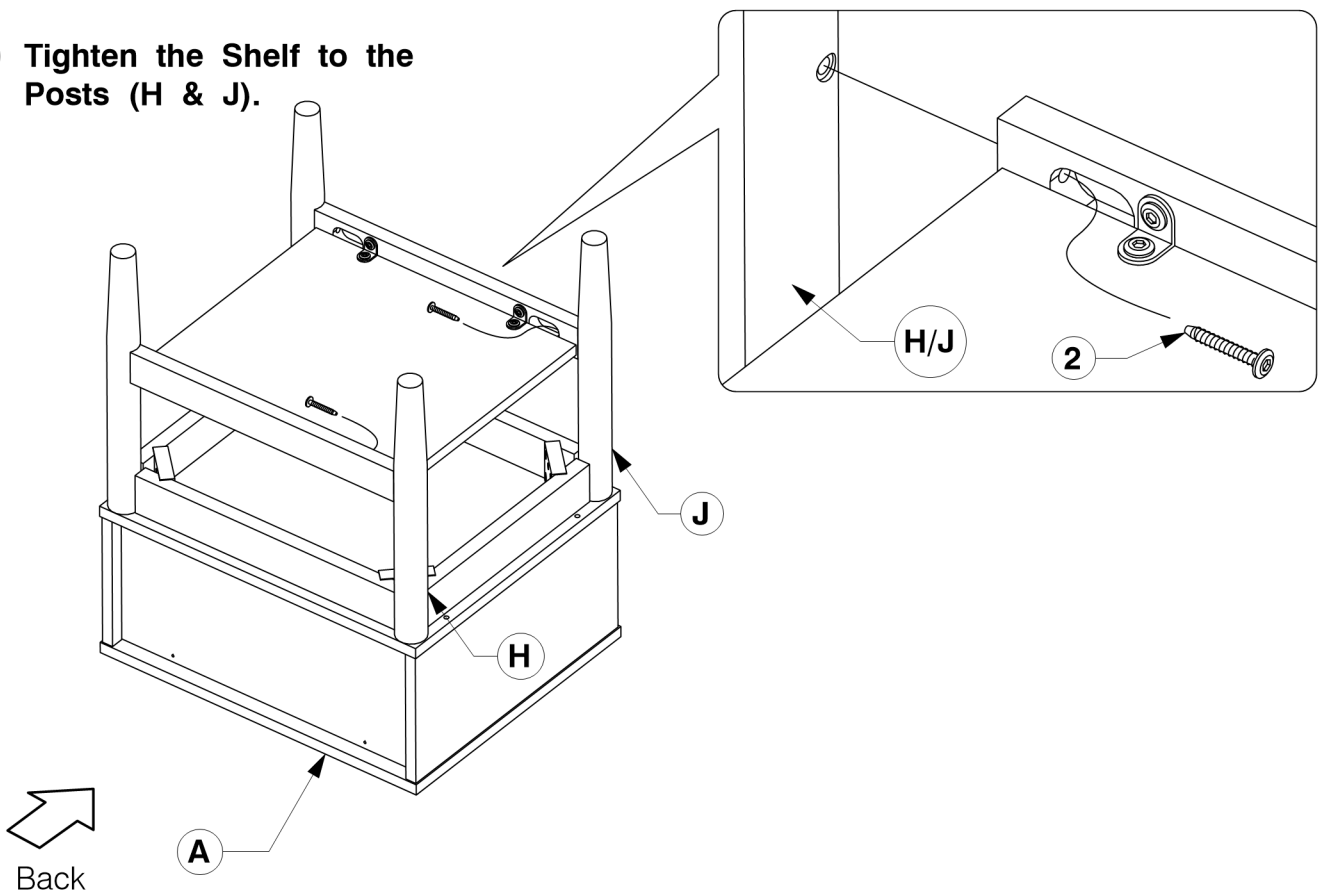
Assembly Instructions

WI-0724

15 Fit Posts (H & J) to the Bottom Panel (B).



16 Tighten the Shelf to the Posts (H & J).



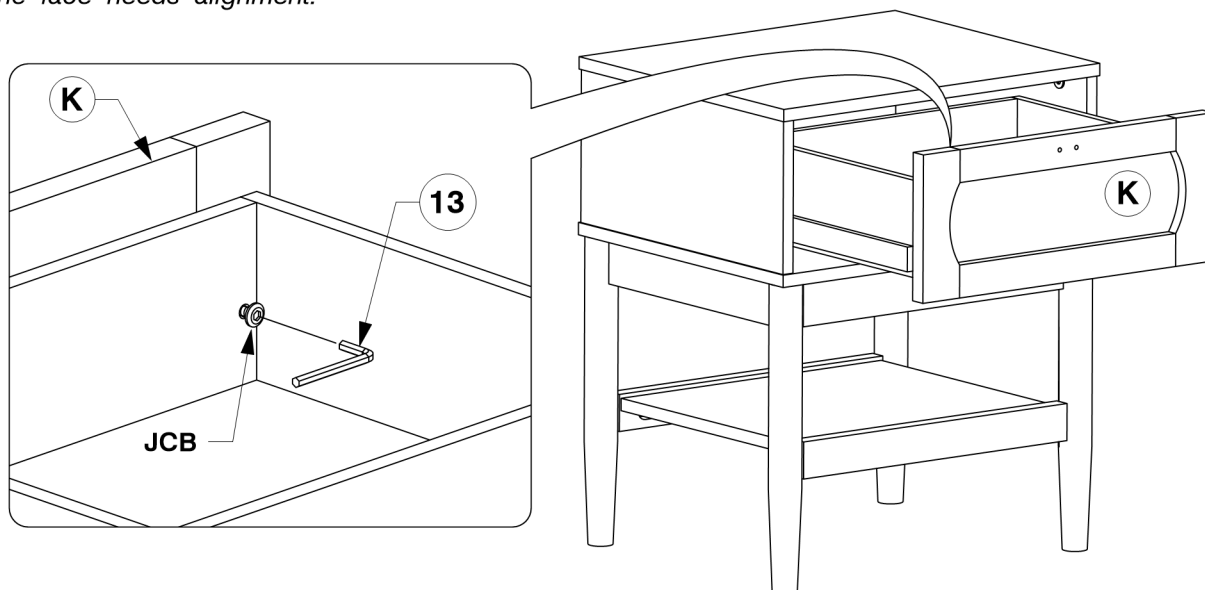
9013 1 Drawer 1 Shelf Nightstand

Assembly Instructions

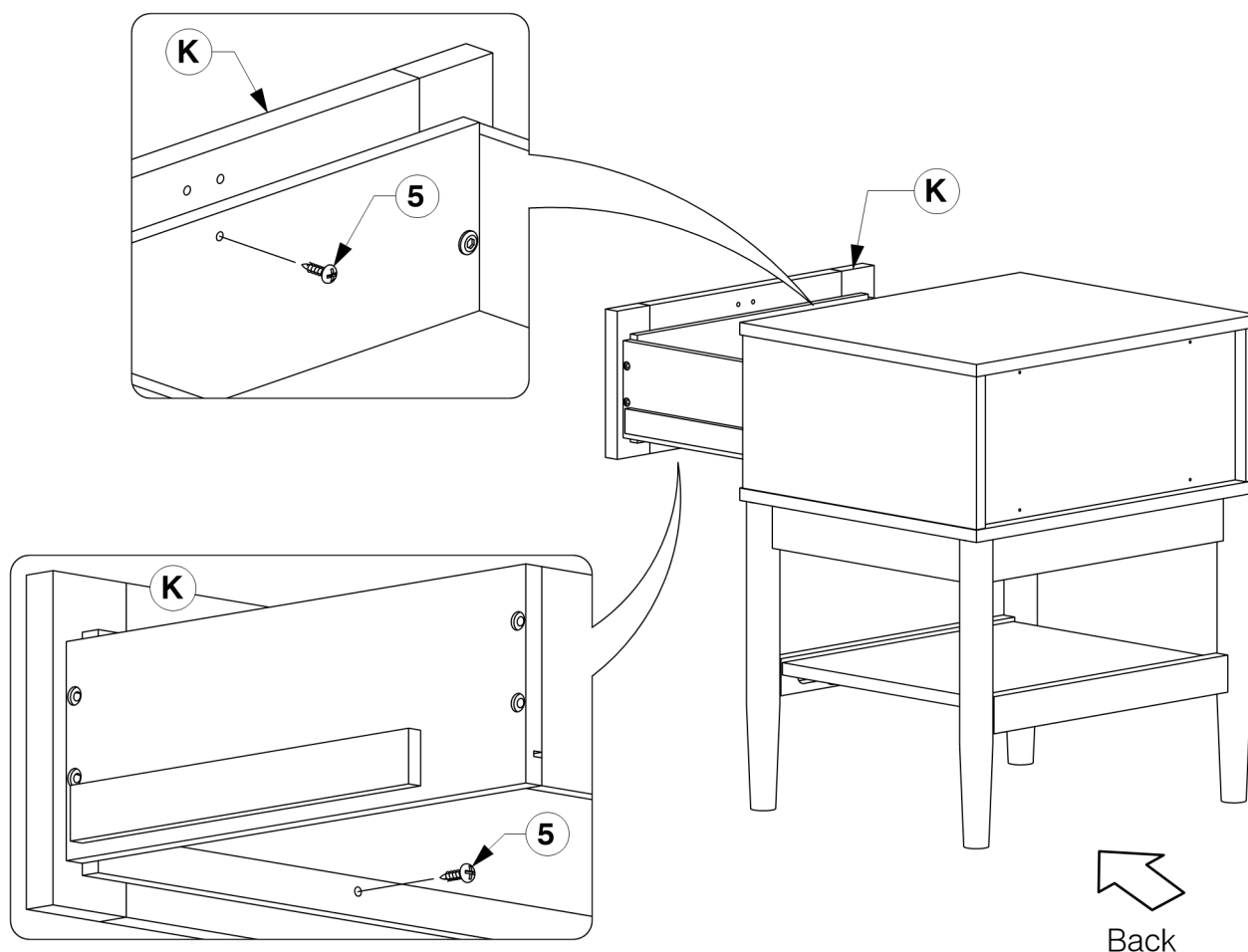
WI-0724

17 Fit and adjust the Drawer Face (K).

* NOTE: Before fitting the Wood Screws.
Loosen the JCBs on the Drawer Face if
the face needs alignment.



18 After the Drawer Faces (K) are aligned, secure with wood screws.



9013 1 Drawer 1 Shelf Nightstand

Assembly Instructions

WI-0724

19 Finally, fit the Handle to the Drawer Face (K).

