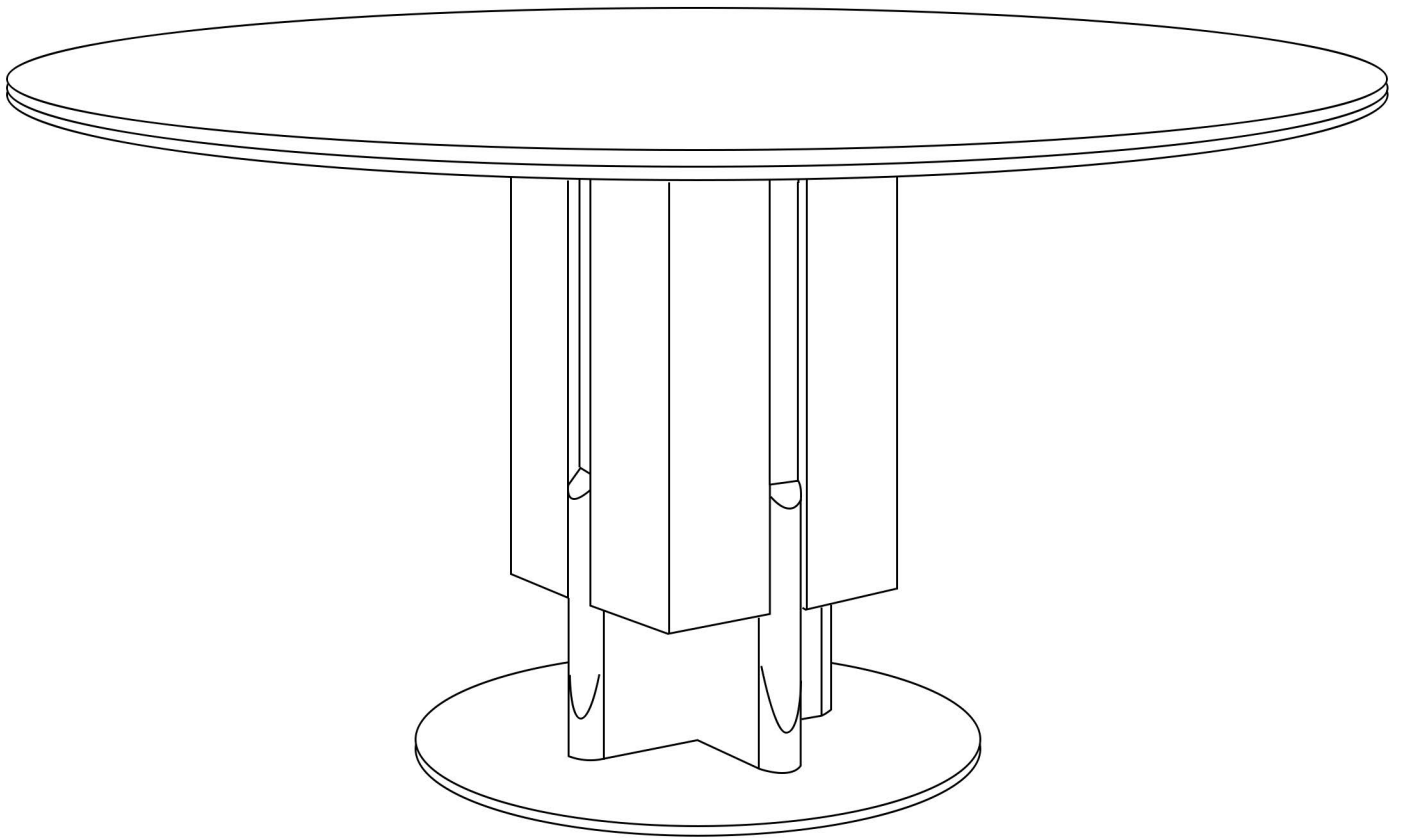


DINING TABLE INSTALLATION INSTRUCTION

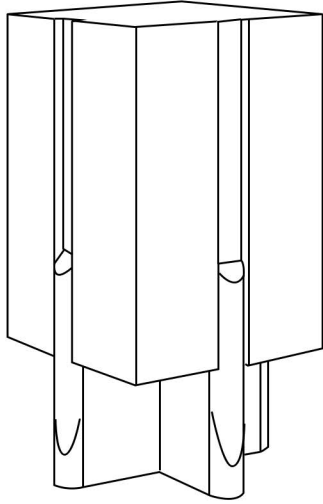


Please read this manual carefully before use and follow the installation steps strictly.

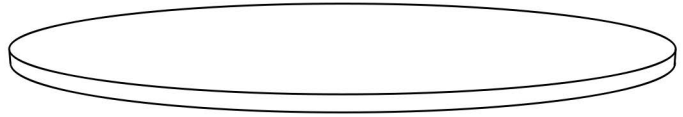
Upon receiving the package, immediately inspect the outer box for any damage.

After unpacking, carefully check the product for completeness and condition.

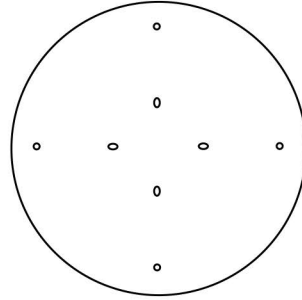
Installation components



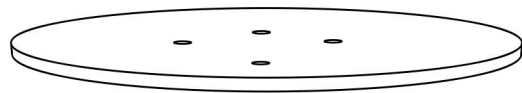
①base x1




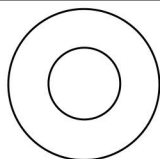
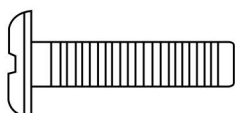

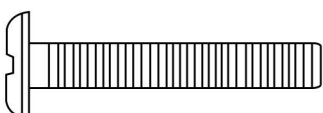
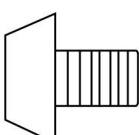
②tabletop x1



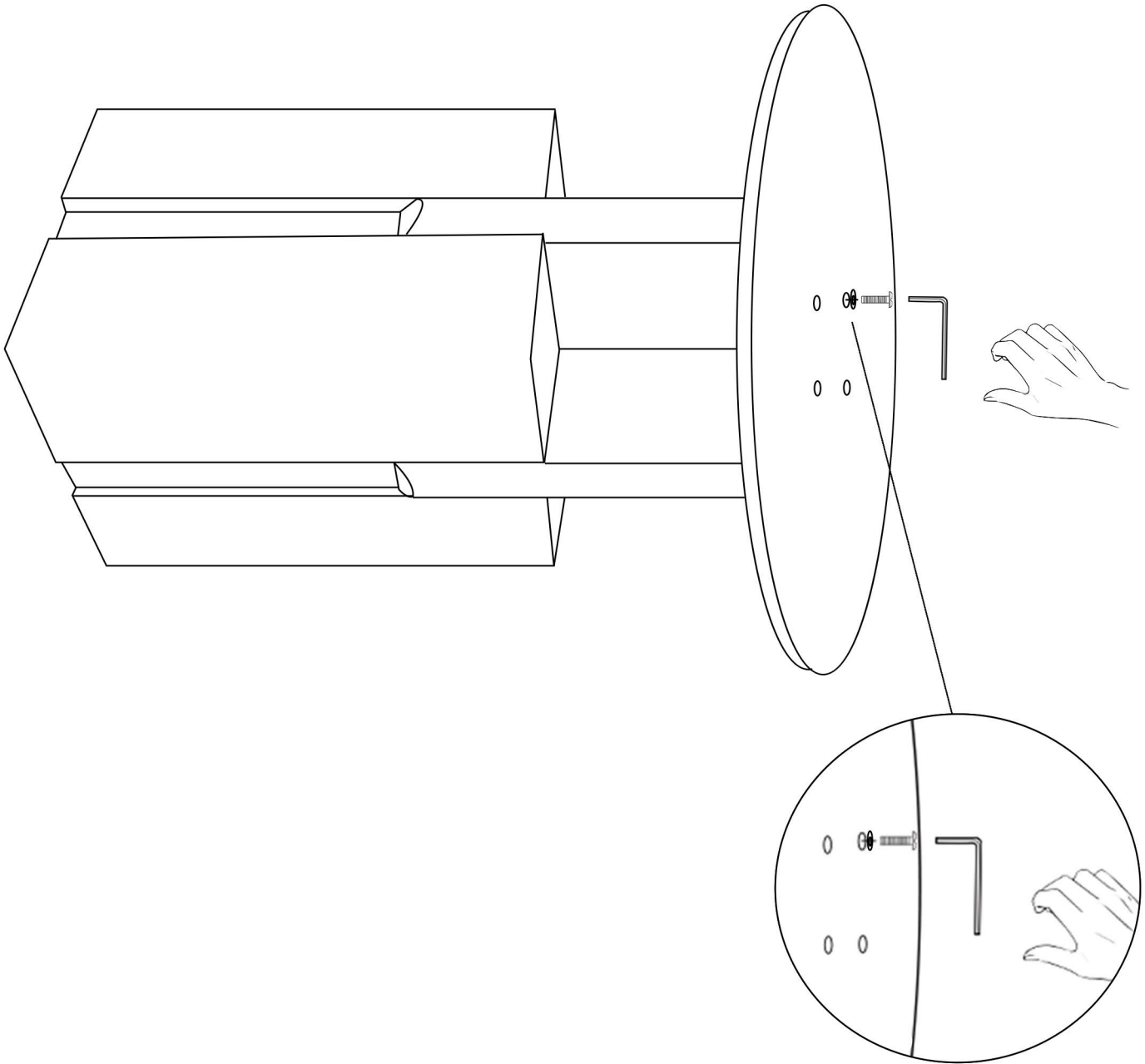
③chassis x1



④connecting plate x1

1		ax1 screwdriver
2		bx10 washers
3		cx10 8x30mm Screws A
4		dx5 8x30mm Screws B
5		ex5 8x35mm Screws C
6		fx6 base screw

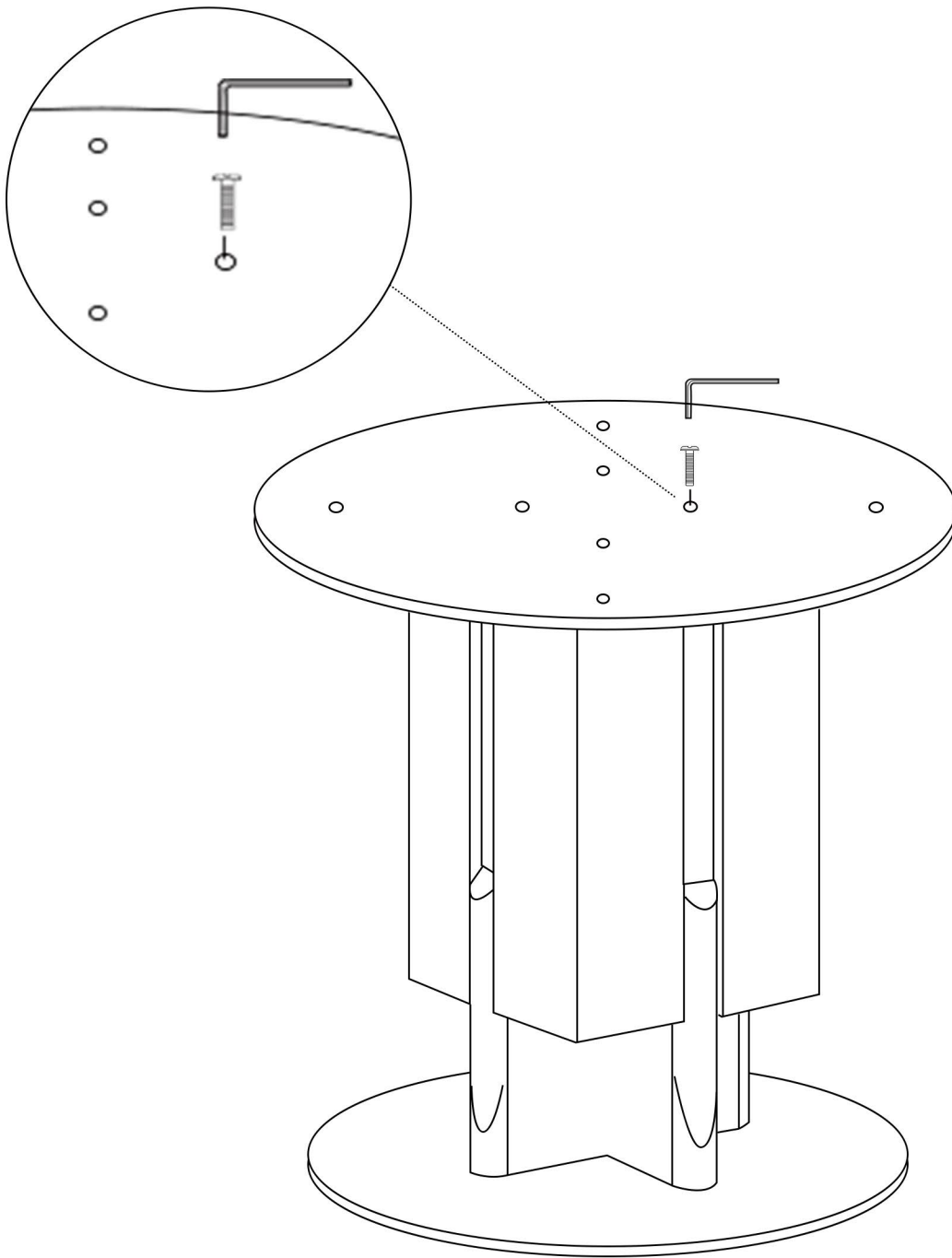
Install the chassis



Install the base and chassis first.

Place the base on the ground, align the holes for connection, and tighten with screws using a screwdriver.

Attach the base to the connecting plate



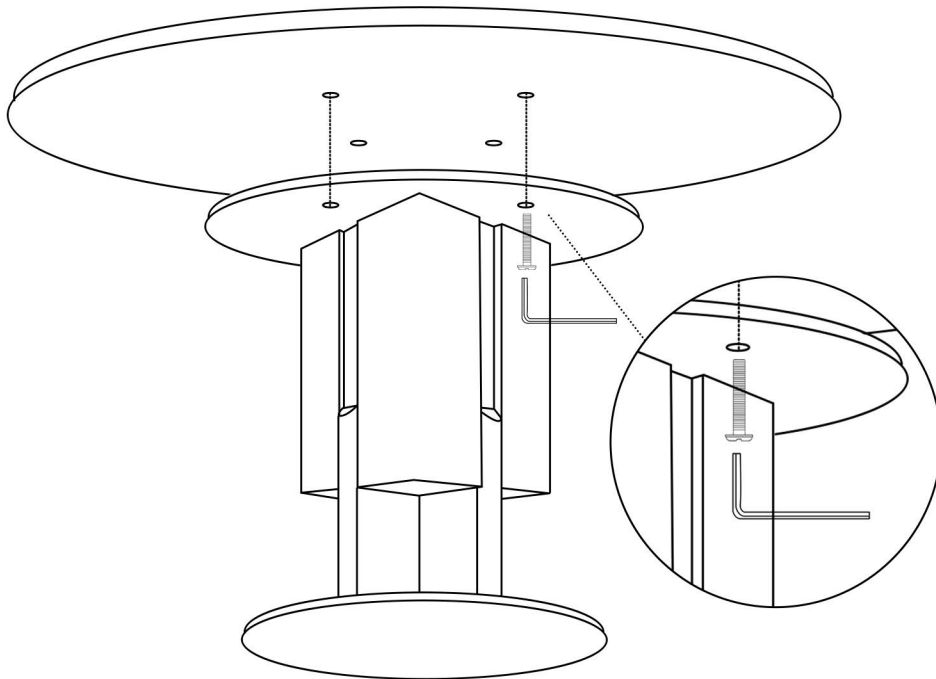
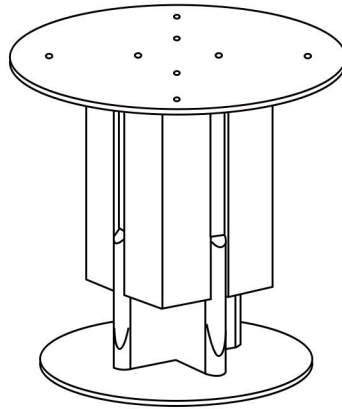
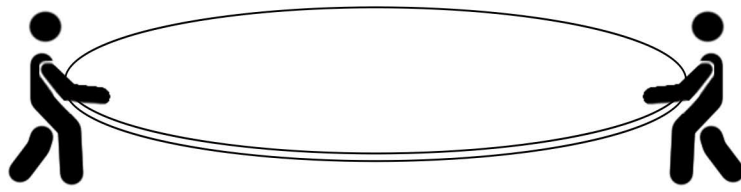
Align the mounting plate with the 4 screw holes on the top disc of the pedestal base.

Insert the 4pcs bolts from the top side (finger-tighten only at this stage).

Important: All 4 bolts must be inserted and lightly seated before final tightening to prevent misalignment.

Tighten the 4 bolts evenly using an hex screwdriver.

Attach the base and the tabletop

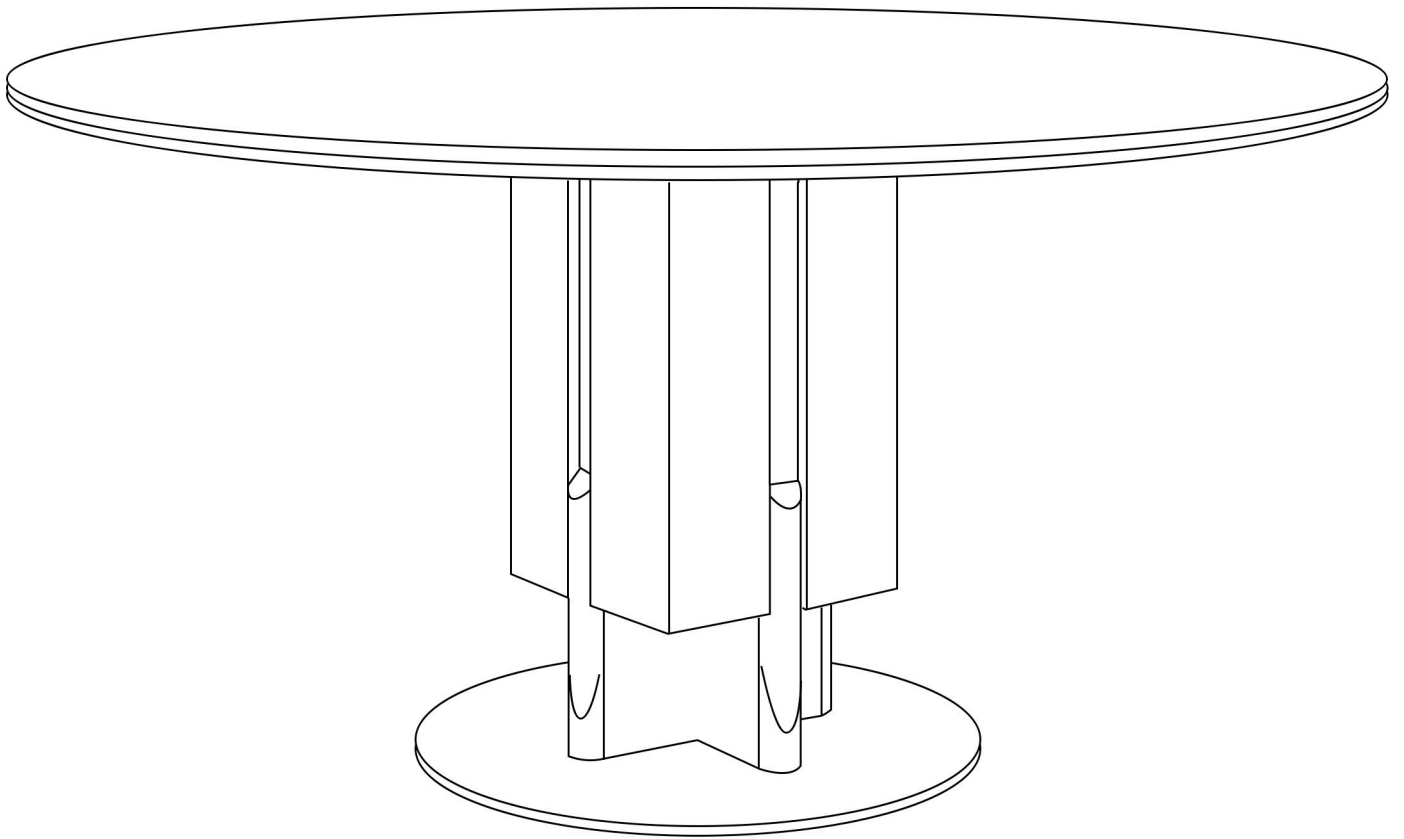


Lift the tabletop together and place it onto the assembled base.

Align the holes on the tabletop with those on the connecting plate, then use a screwdriver to install each screw.

After all screws are installed, tighten them securely one by one.

Installation complete



Double-check that every screw is properly tightened. Gently shake the table to ensure stability—no wobbling or unusual noise.

Assembly complete!