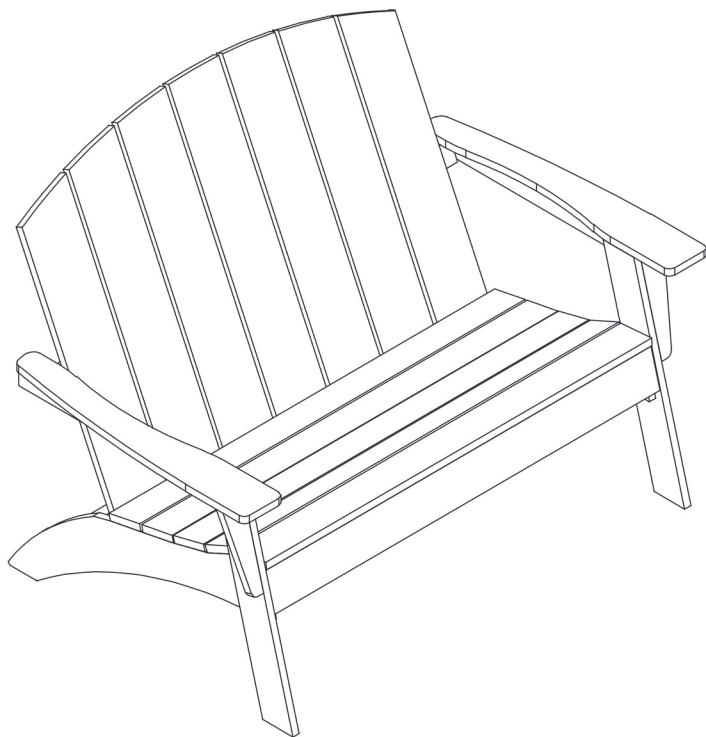


Assembly Instruction




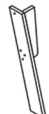




PRE-ASSEMBLY PREPARATION

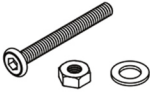


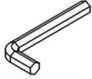

WARNING! DO NOT LET CHILDREN PLAY IN OR AROUND THE UNIT DUE TO THE POSSIBLE RISK OF FINGER ENTRAPMENT

- Please read through this instruction before beginning assembly.
- Two adults assembly is recommended.
- Clear out the space for assembly and lay out all parts base on Parts List, extra room will allow you to easily determine if all the pieces are present.
- Save all packing materials until assembly is complete to avoid accidentally discarding smaller parts or hardwa
- Keep small parts and pieces away from children until fully assembly.
- **Do not fully tighten the bolts until all have been inserted and hand tightened.**
- Please check for any loose screws and tighten them before use.

PANEL AND FITTINGS IDENTIFICATION

Seat Panel (A)	Backrest Panel (B)	Left Foot Panel (C)	Right Foot Panel (D)	Left Arm Panel (E)
 Qty: 1	 Qty: 1	 Qty: 1	 Qty: 1	 Qty: 1
 Qty: 1				

HARDWARE LIST

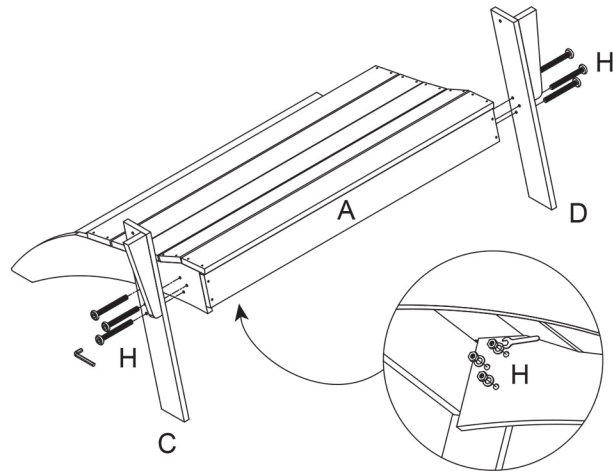
 M6 x 60mm Qty: 8	 M6 x 50mm Qty: 3	 M6 x 80mm Qty: 2	 Qty: 1	 Qty: 1
--	--	--	---	---

MODERN ADIRONDACK LOVESEAT

Flats + Castles

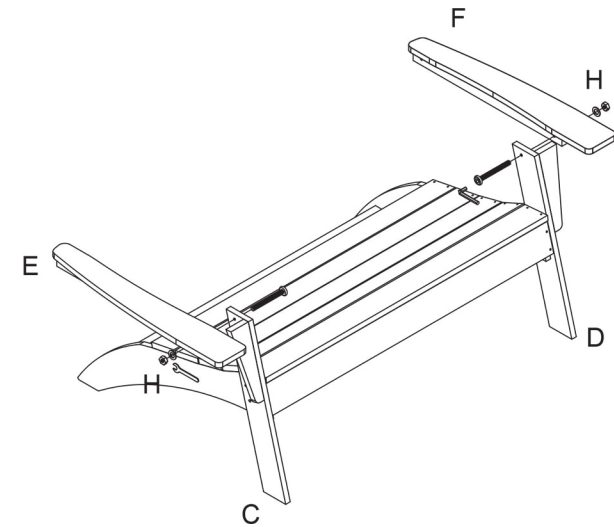
STEP 1

A=1PC
C=1PC
D=1PC
G=1PC
H=6PCS



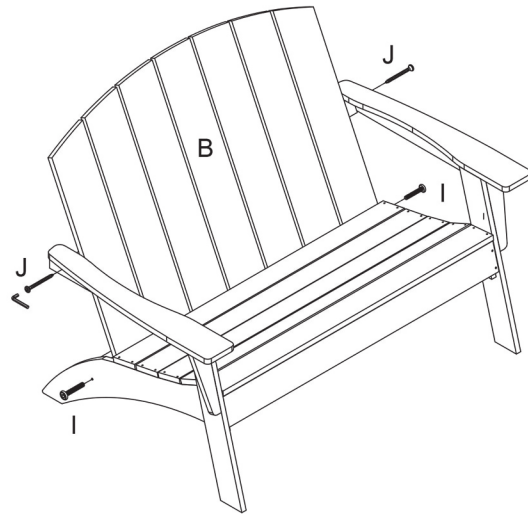
STEP 2

E=1PC
F=1PC
H=2PCS



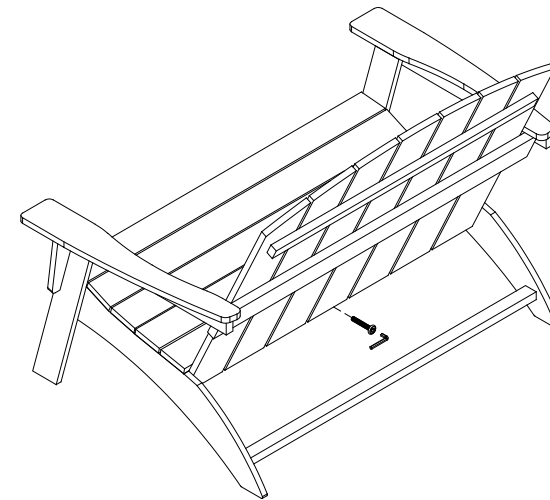
STEP 3

B=1PC
J=2PCS
I=2PCS



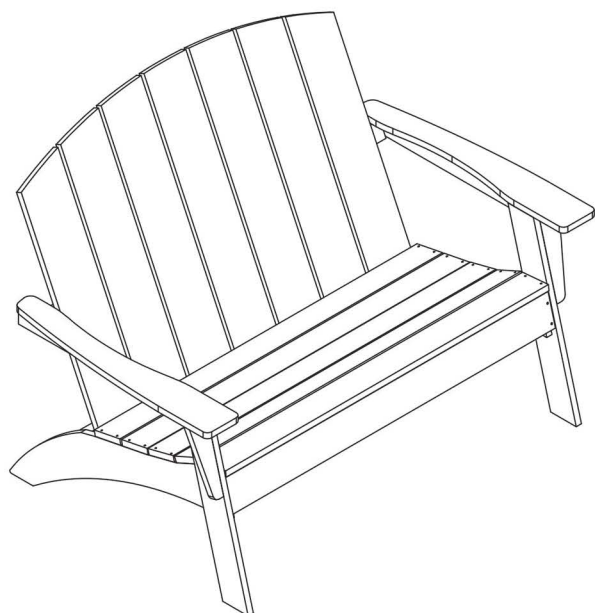
STEP 4

I=1PC



MODERN ADIRONDACK LOVESEAT

Flats + Castles



ALL DONE.

YOU'RE A ROCKSTAR!

PLEASE READ THE FOLLOWING:

If you have any questions OR concerns with assembly, our friendly customer service team would love to answer them.

Or if by some chance you have a warranty issue, we can take care of that too.

support@flatsandcastles.com

Flats + Castles

We take pride in our products and we are always trying to go the extra mile to exceed our customer's expectations.

If this product meets or exceeds your expectations, please take 5 minutes to leave a review.

We appreciate you 😊