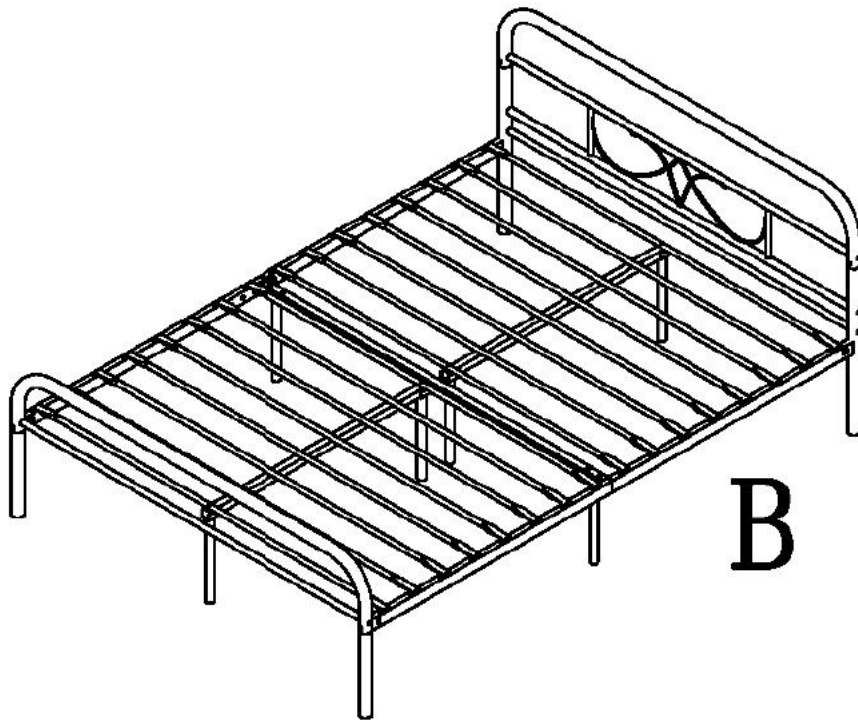
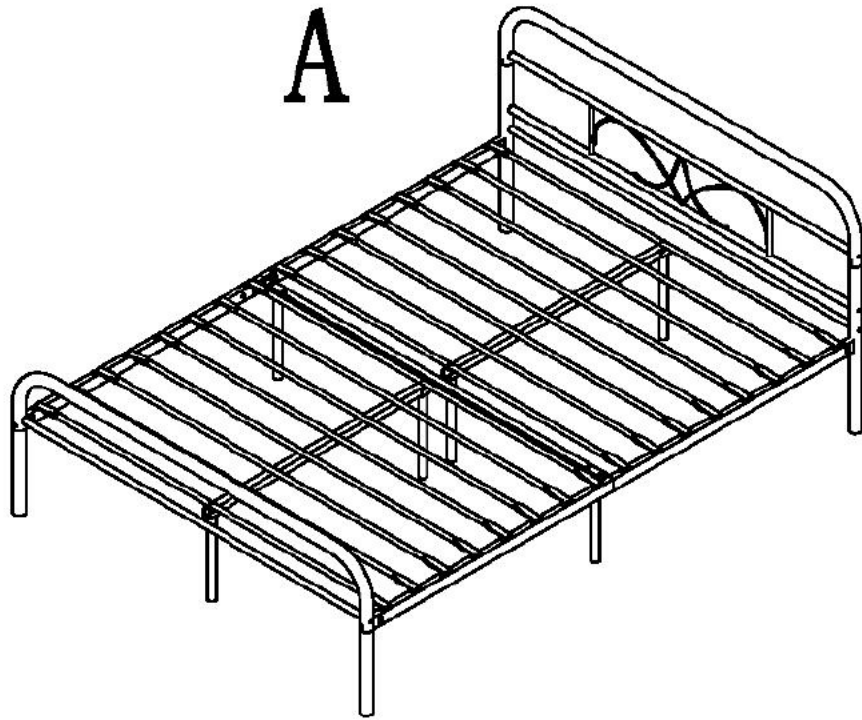







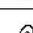





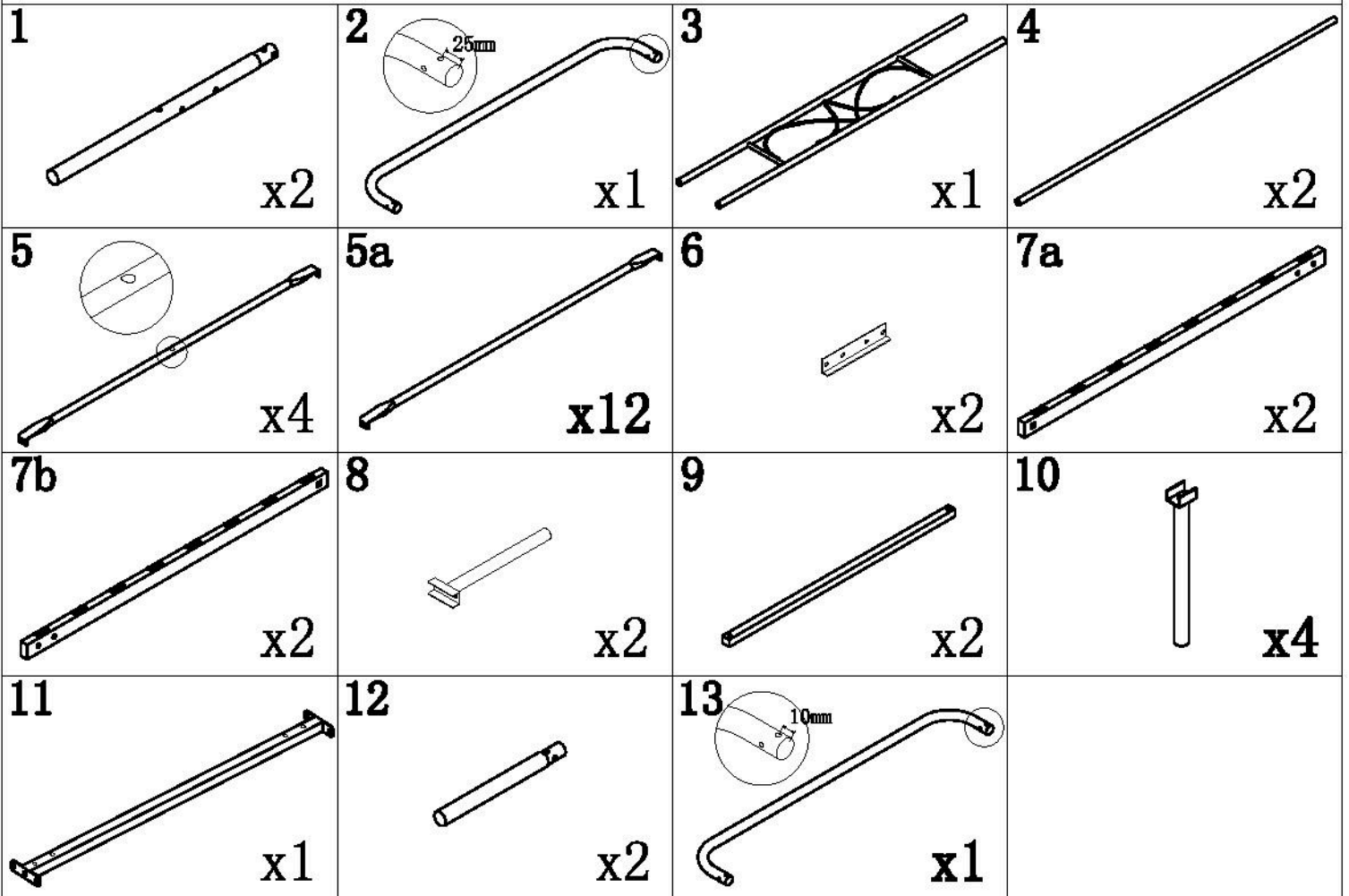
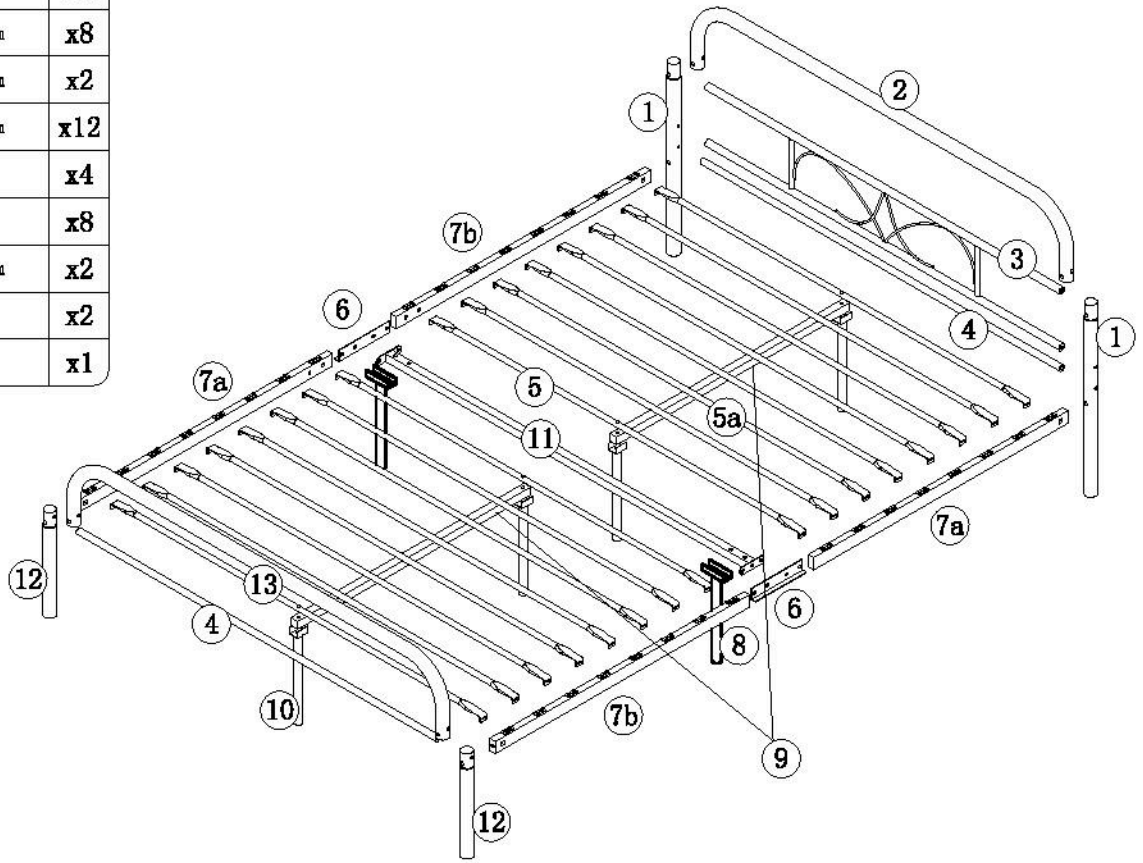
A



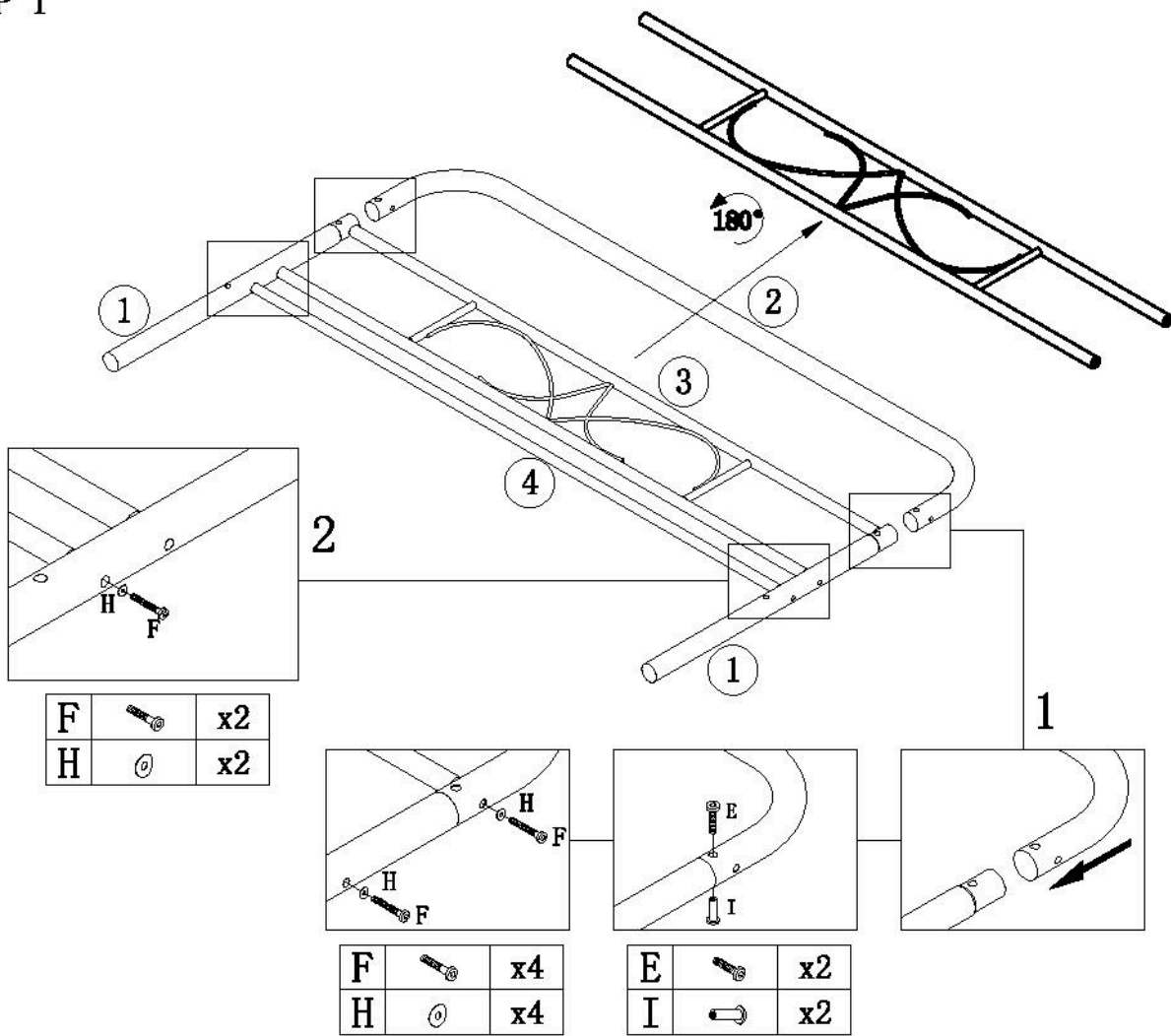
B

**Remark:**The beard on the headboard and footboard could turn 180 degree, it depends on your taste.

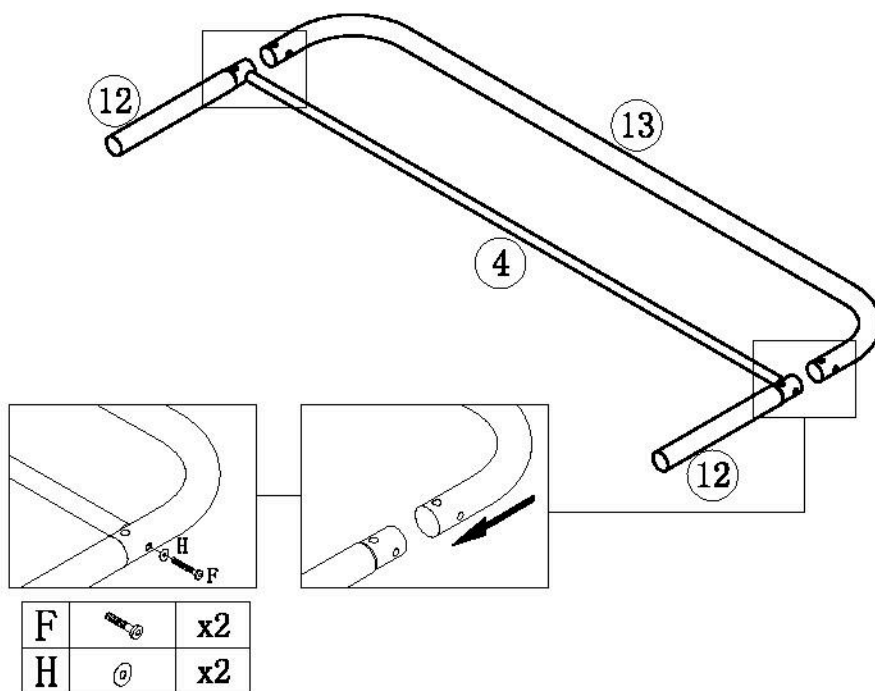
A		M8x70mm	x4
B			x4
C		M6x35mm	x4
D		M6x15mm	x8
E		M6x30mm	x2
F		M6x80mm	x12
G		M6	x4
H		M6	x8
I		M6x20mm	x2
J			x2
K			x1



STEP 1

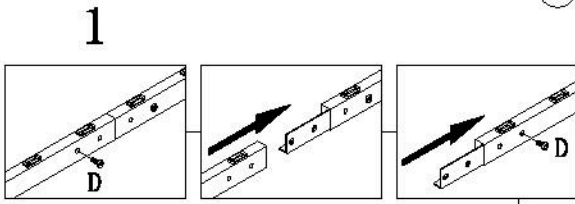
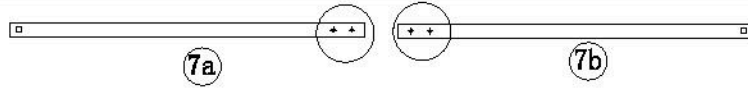


STEP 2

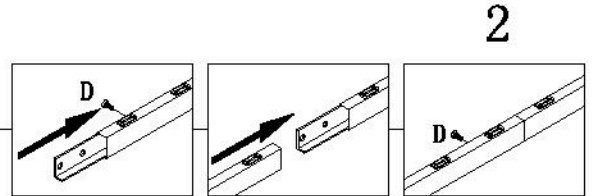
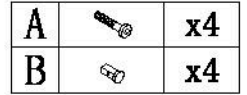
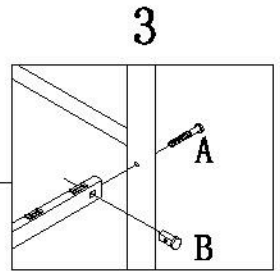
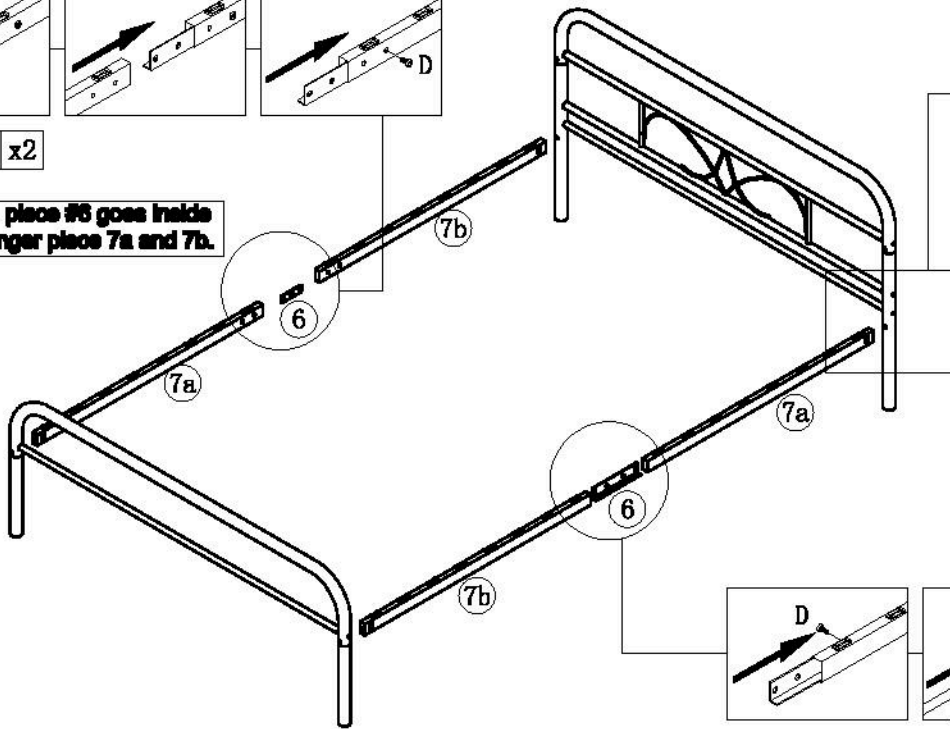


### STEP 3

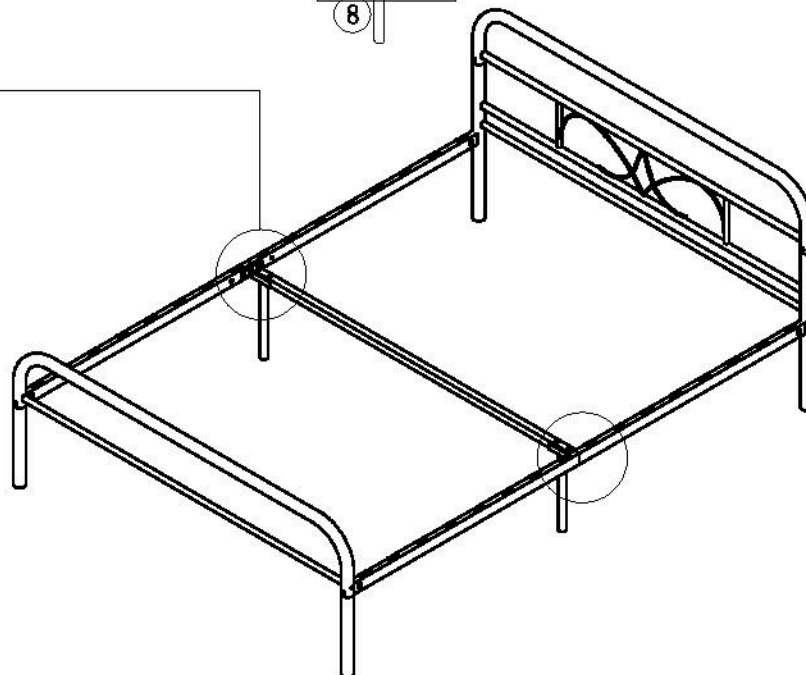
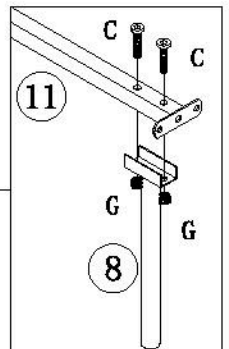
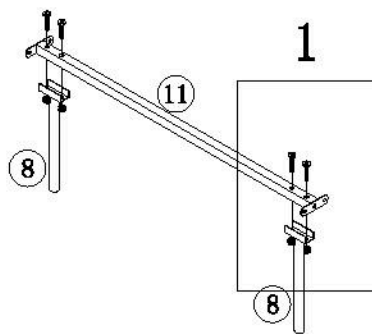
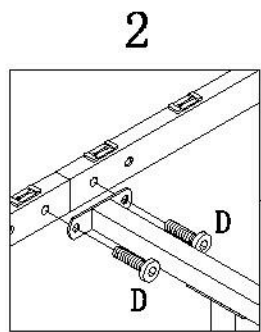
Please separate the parts 7a and 7b before beginning the assembly.



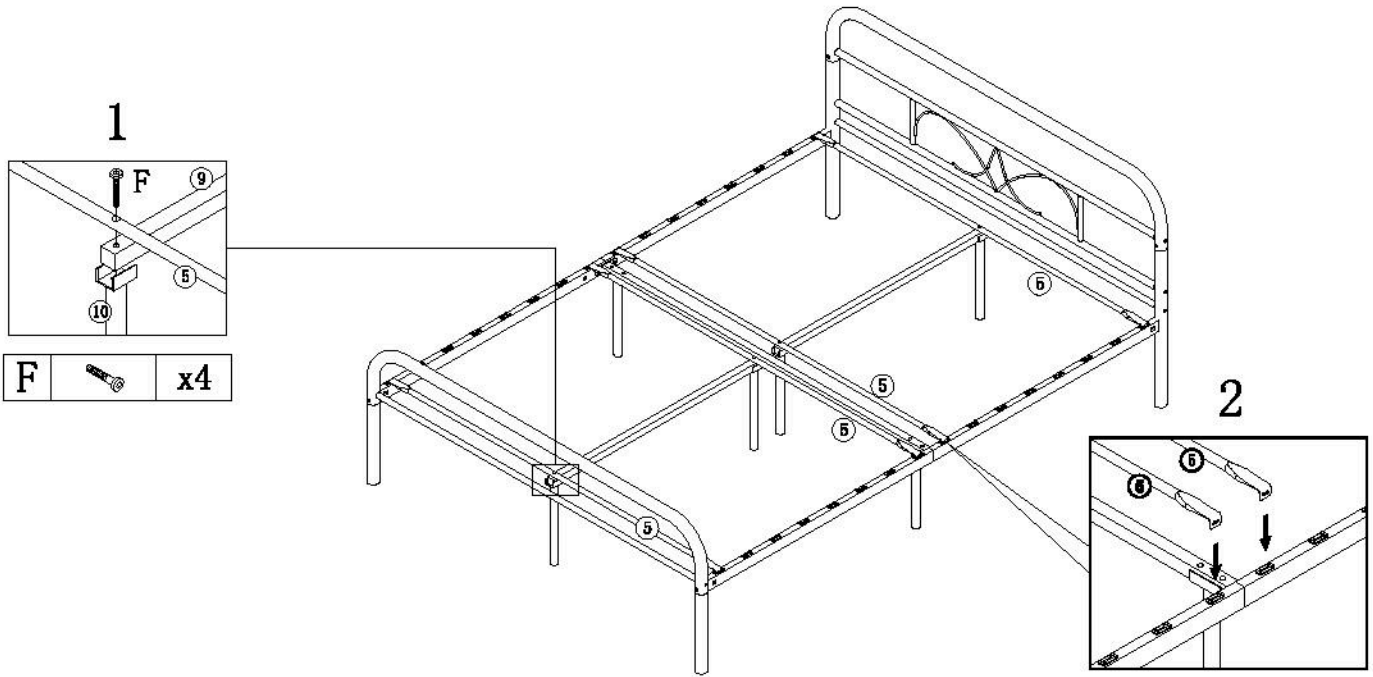
The small piece #6 goes inside the two longer pieces 7a and 7b.



### STEP 4



# STEP 5



# STEP 6

