

Desk

Congratulations on the purchase of your Desk. This desk has been crafted to the highest standards of quality and safety and will give you many years of enjoyment and practical use.

Since this desk is a natural wood product, there will be variations in color and grain and minor checking may occur. This is normal and does not compromise the integrity of your desk. In fact, variation in character of solid hardwood is integral to the beauty and appeal of hardwood furniture, and distinguishes it from prefabricated, synthetic and composite materials.

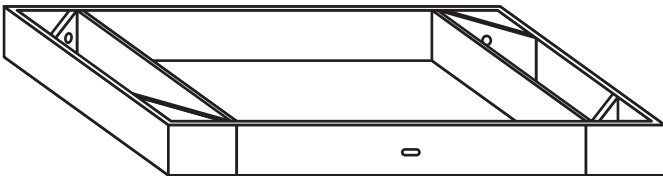
On this insert you will find a list of the hardware and parts included as well as detailed assembly instructions. Assembly is quite simple, and requires only a Phillips head screwdriver. Assembly will be most easily accomplished if you take the time to carefully sort the hardware and familiarize yourself with the function of each piece.

If you need assistance with assembly, part replacement or any other matter, please contact the toll-free Customer Service Team. You may also email your request or comments and a customer service representative will respond.

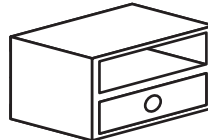
Thank you and Enjoy

HARDWARE LIST

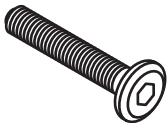
1 Main desktop



2 Desktop storages



4 Desk legs



8 70mm Allen bolts



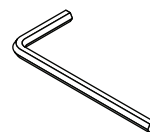
8 Washers



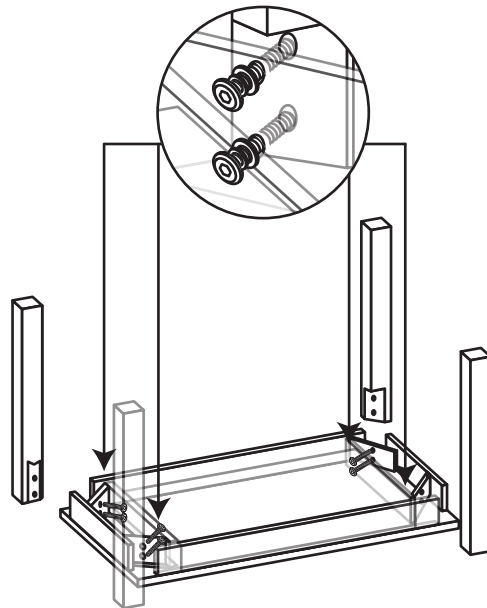
3 Wooden handles



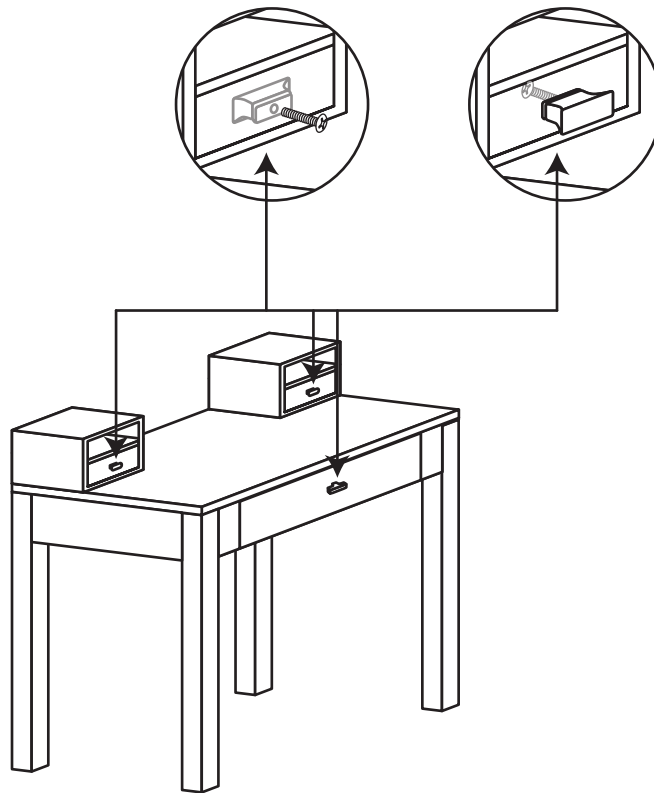
8 Lock Washers



1 Hex key



- 1) Attach each leg with two 70mm Allen bolts. Tighten with Hex key.
Optional side return desk is available which will allow you to make a corner desk.



- 2) Do not turn the handles to tighten or loosen the screws. Doing so will cause the handles to scratch the front of the door. Using a Phillips head screwdriver, remove the handle screws and install the handles.

NOTE: DO NOT SPIN KNOB ON EXTERIOR DRAWER SURFACE. IT WILL SCRATCH THE FINISH.