

NOTICE

- * Please make sure that you have all parts indicated and they are in good condition before you begin assembly of this item. Refer to part list and hardware list below for guidance.
- * This item should be assembled on a soft surface to prevent scratching the finish during assembly.
- * This item may require periodic tightening.



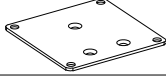
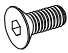

PREPARATION

- * Before beginning assembly of product, make sure all parts are present. Compare parts with part contents list and hardware contents list.
- * If any part is missing or damaged, do not attempt to assemble the product.
- * Estimated Assembly Time: 15 minutes.
- * Tools Required for Assembly: Allen key (included).

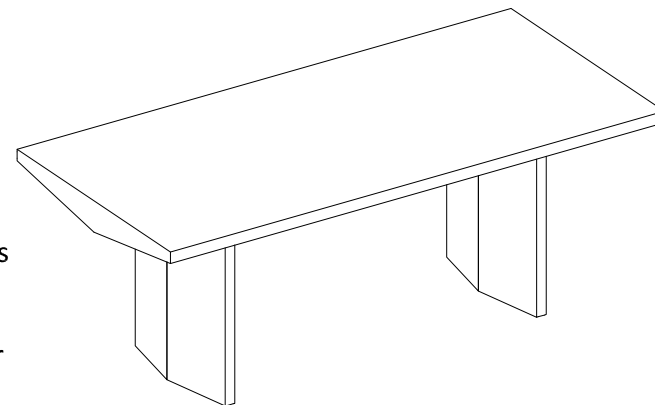
CARE AND MAINTENANCE

* Adhesive felt pads should always be applied to areas of furniture which make direct contact with flooring, said application will prevent damage to the furniture and or surfaces on which the furniture lies. Objects placed on articles of furniture should rest on non abrasive material as to prevent damage to the wood finish. Objects whose composition consists of plastic and rubber are known to discolor and damage the wood surfaces on which they rest. Wipe up spills immediately and avoid common hazards such as hot dishes, harsh solvents and abrasives. Cleaning should be done with a soft lint free cotton cloth dampened with water or furniture polish. On highly used surfaces we recommend applying a quality paste wax which should be used on a regular basis to provide additional protection from scratches and spills. How often you apply the wax depends on how much wear the furniture receives.

Part List and Hardware List

PIECE	DESCRIPTION	PICTURE	QUANTITY	CARTON CALL
A	Top		1X	1 of 2
B	Leg		2X	2 of 2
HW1	Bonding iron plate		4X	1 of 2
HW2	Socket Bolts M6x1.0x20mm		28X	1 of 2
HW3	Allen Key		1X	1 of 2

Product Dimensions: 79.9" W x 38" D x 30.1"H



! WARNING !

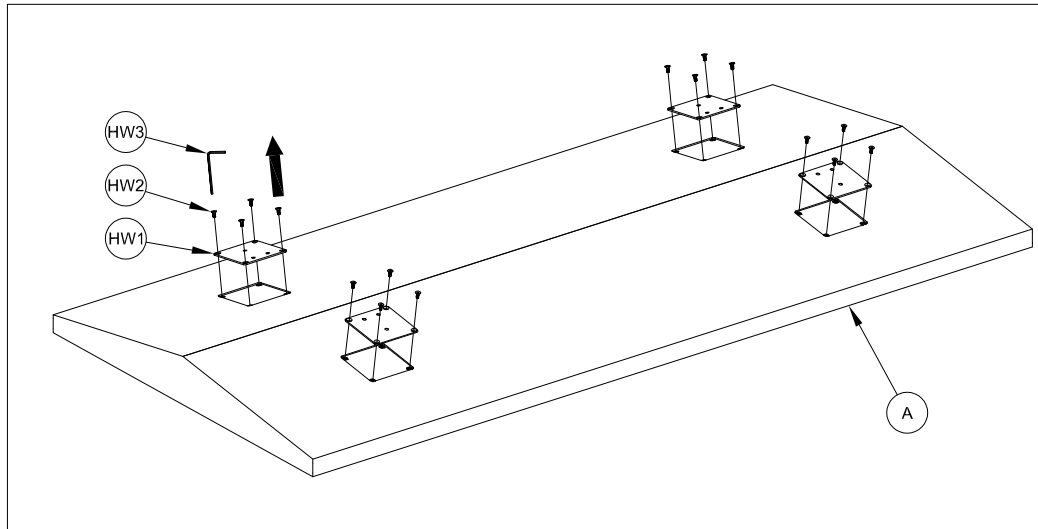
Weight capacity: 110 LBS

Warning: Do not stand on Table

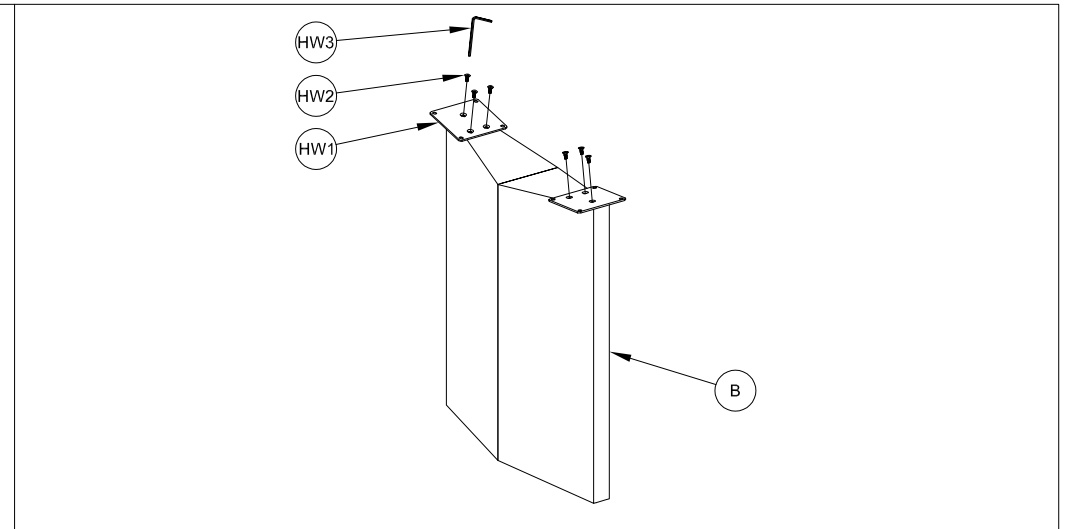
Warning: Do not over torque Bolts

PREPARATION

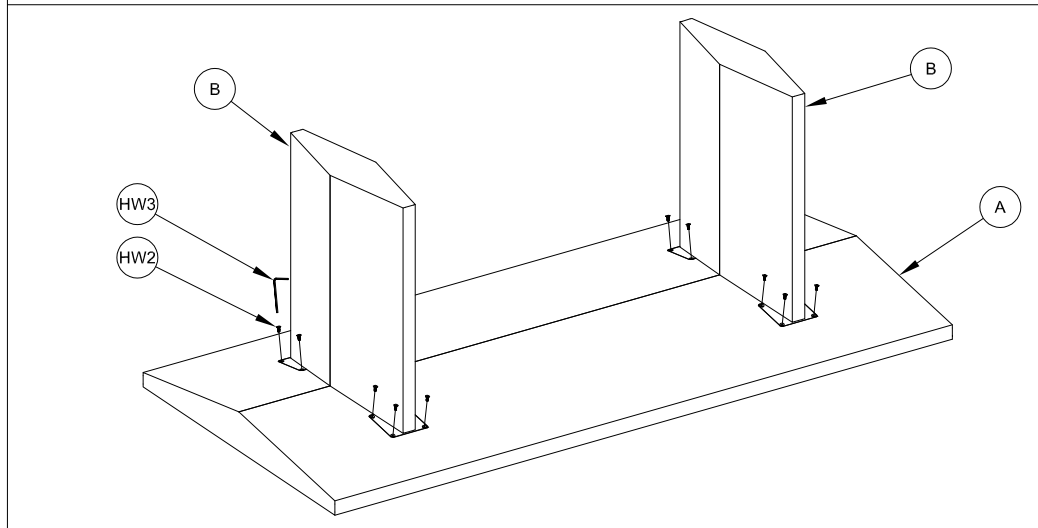
- * Before beginning assembly of product, make sure all parts are present. Compare parts with part contents list and hardware contents list.
- * If any part is missing or damaged, do not attempt to assemble the product.
- * Estimated Assembly Time: 15 minutes.
- * Tools Required for Assembly: Allen key (included).



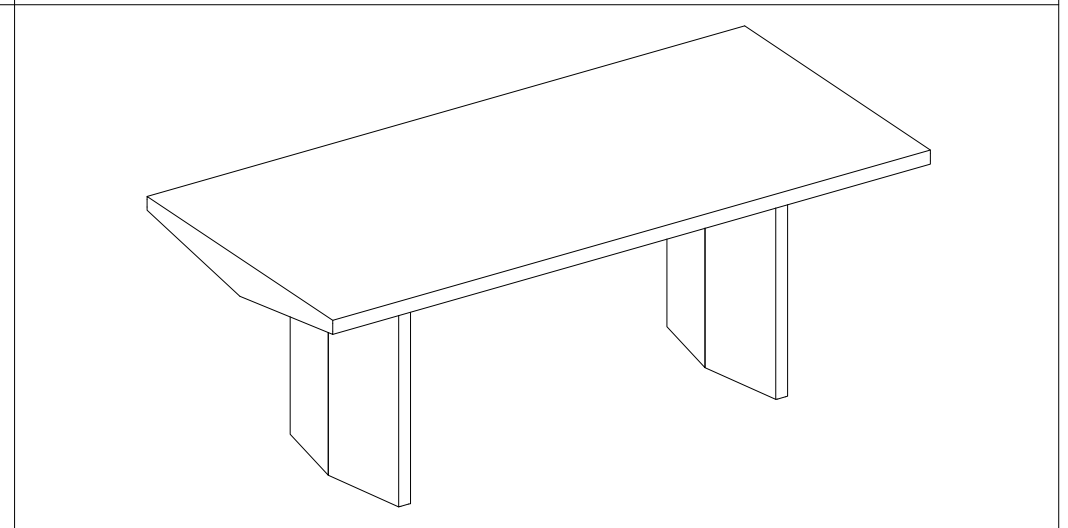
STEP 1: Remove bonding iron plate (just for packaging) in the order shown in the picture.



STEP 2: Attach the bonding iron plate to the leg. Make sure to apply all the bolts into the holes properly before tightening.



STEP 3: Assemble four legs to the top. Make sure to apply all the bolts into the holes properly before tightening.



STEP 4: Assembly completed.