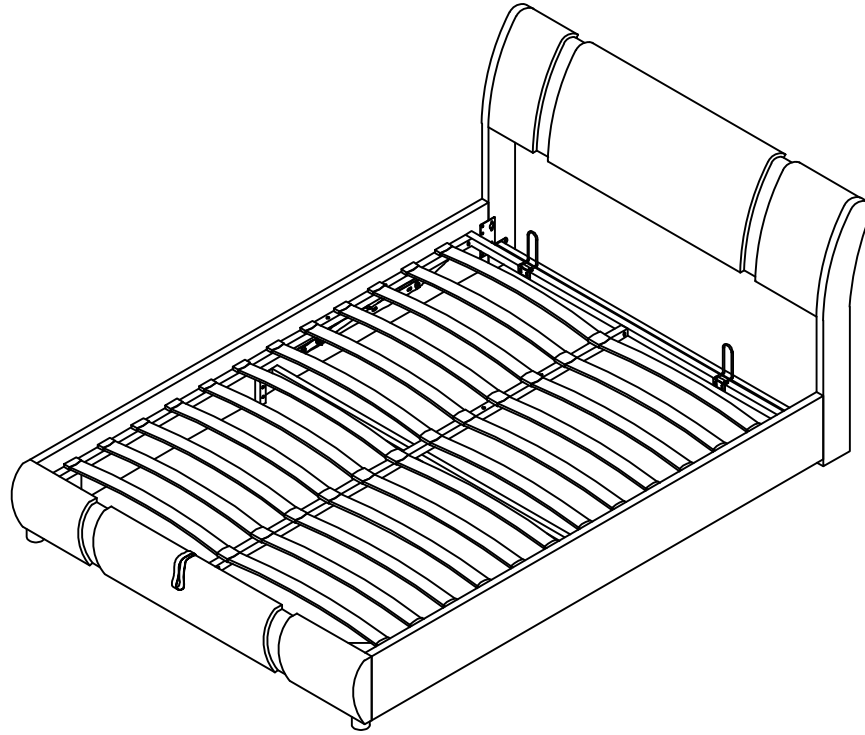
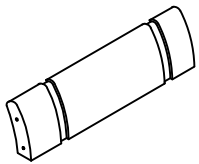


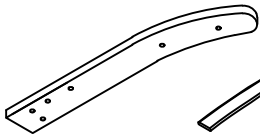
# Assembly instructions



## WF298346



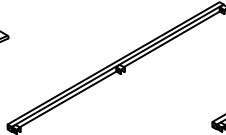
1 .1PC



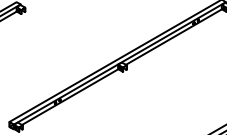
5 .1PC



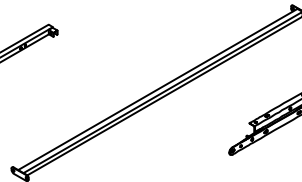
7 .24PCS



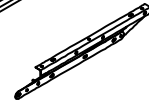
10 .1PC



11 .1PC



13 .1PC

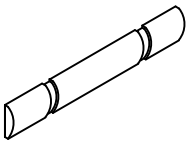


19 .1PC

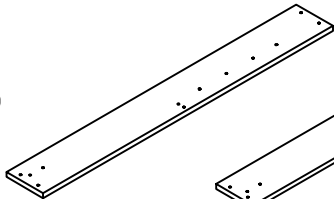


20 .1PC

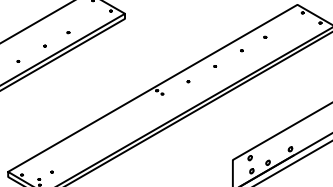
## WF298347



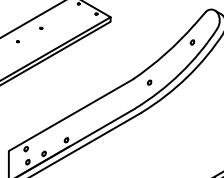
2 .1PC



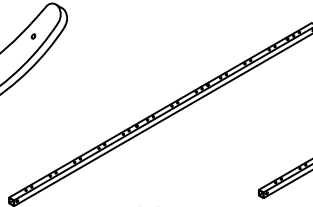
3 .1PC



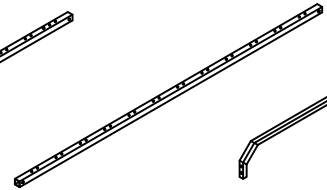
4 .1PC



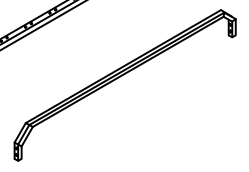
6 .1PC



8 .2PCS



9 .1PC



12 .1PC



14 .2PCS



15 .2PCS



16 .2PCS



18 .1PC



22 .12PCS



23 .24PCS



24 .2PCS



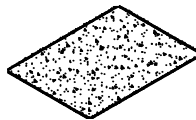
25 .8PCS



26 .1PC



27 .2PCS



29 .1PC



M4\*50  
A .2PCS



M8\*18  
B .28PCS



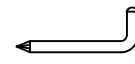
M8\*35  
C .28PCS



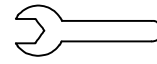
M8\*45  
D .6PCS



M8  
F .16PCS

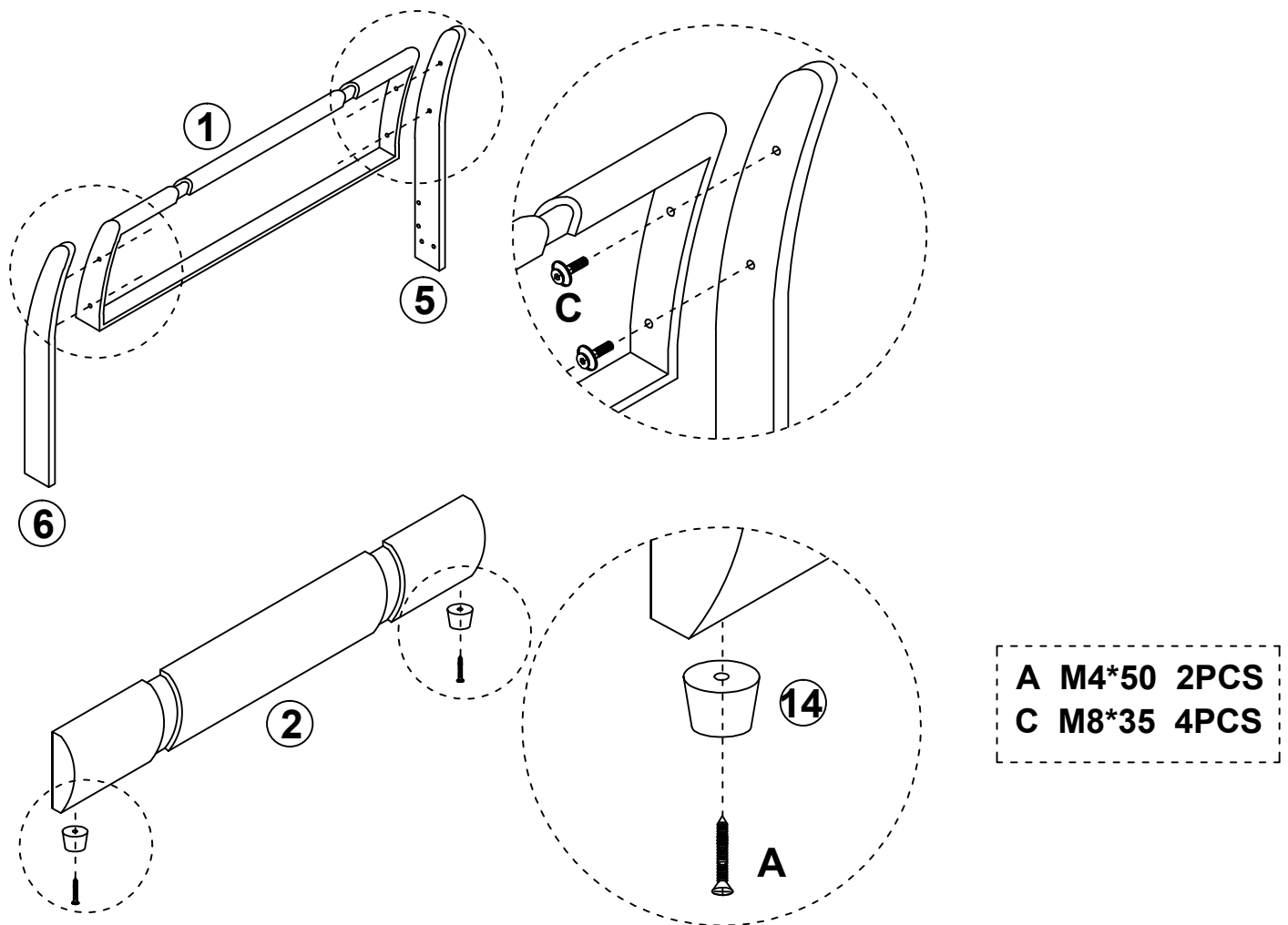


M8  
G .1PC



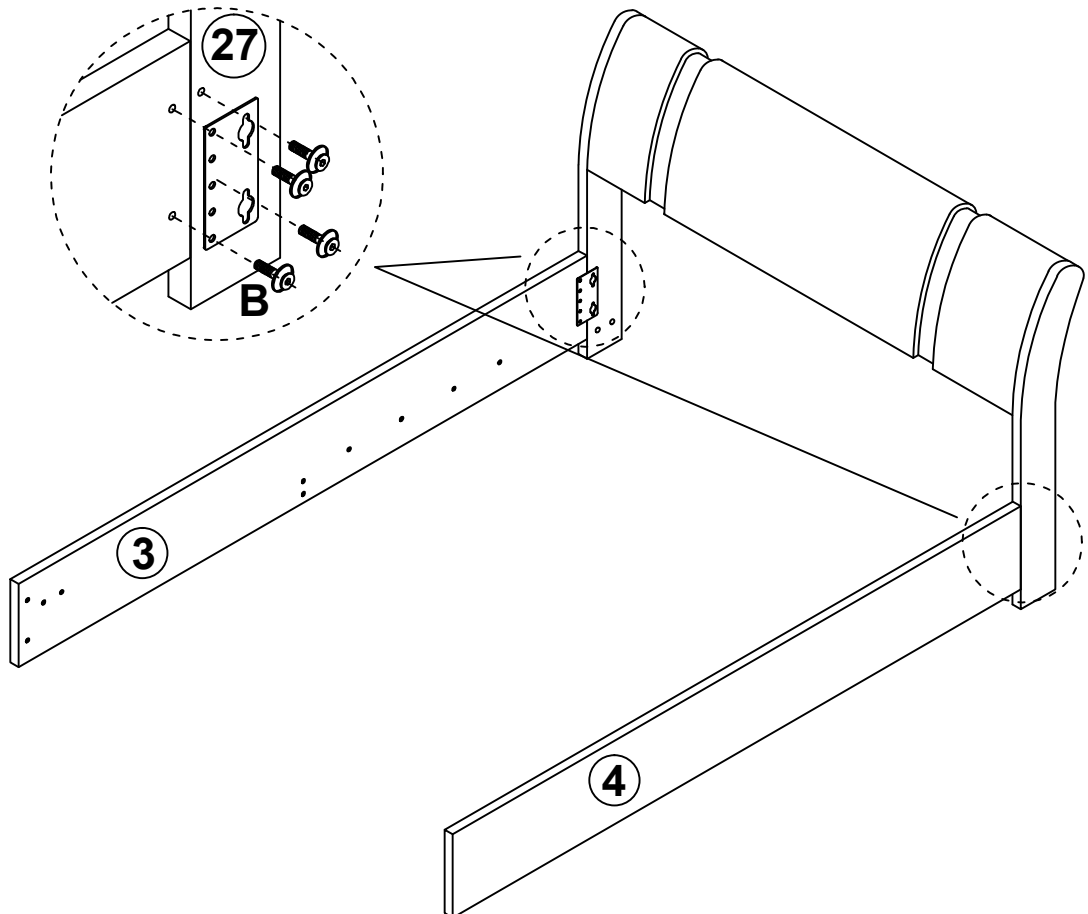
M8  
H .1PC

Step:1



Step:2

B M8\*18 8PCS

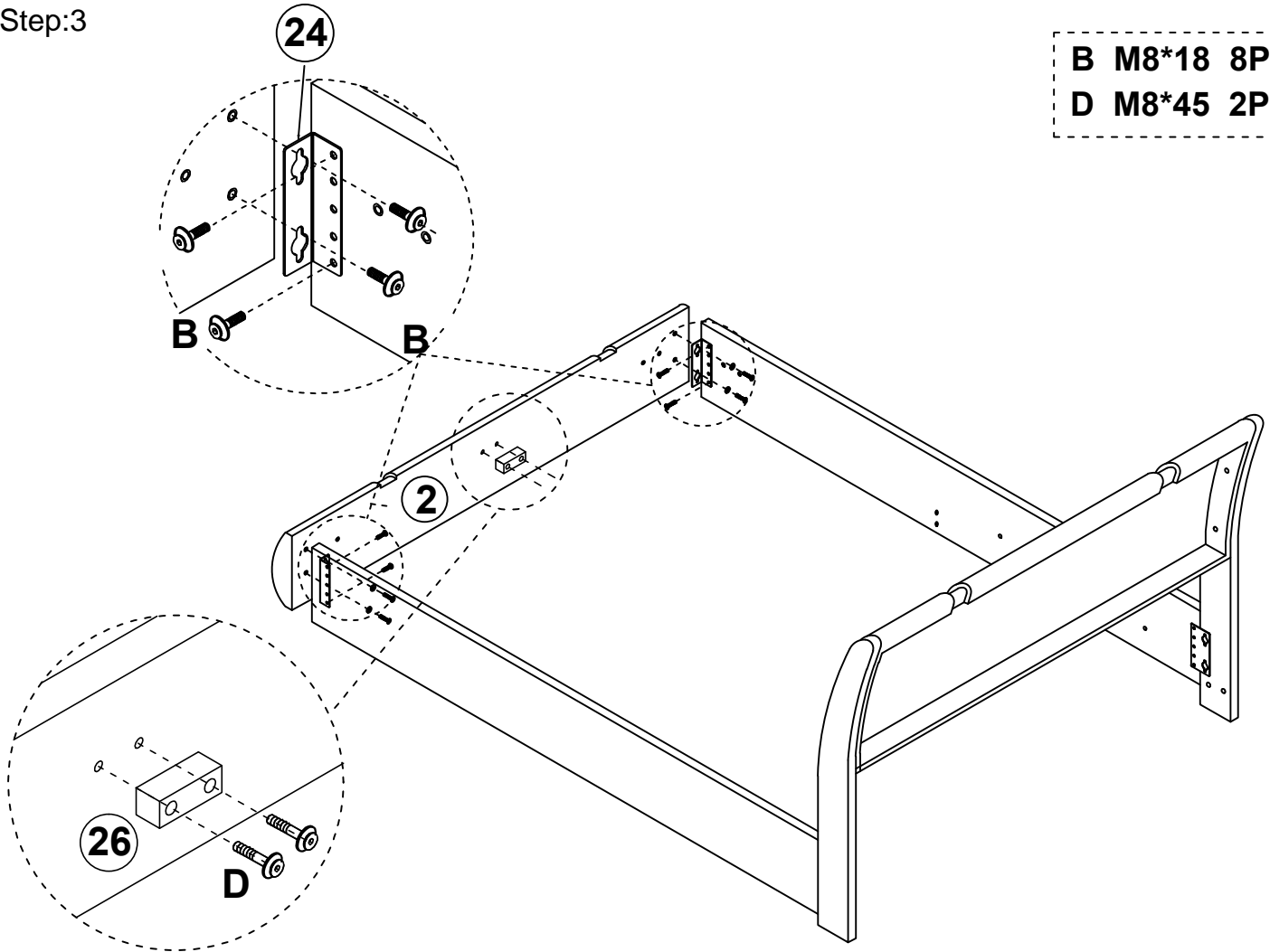


Step:3

24

B M8\*18 8PCS

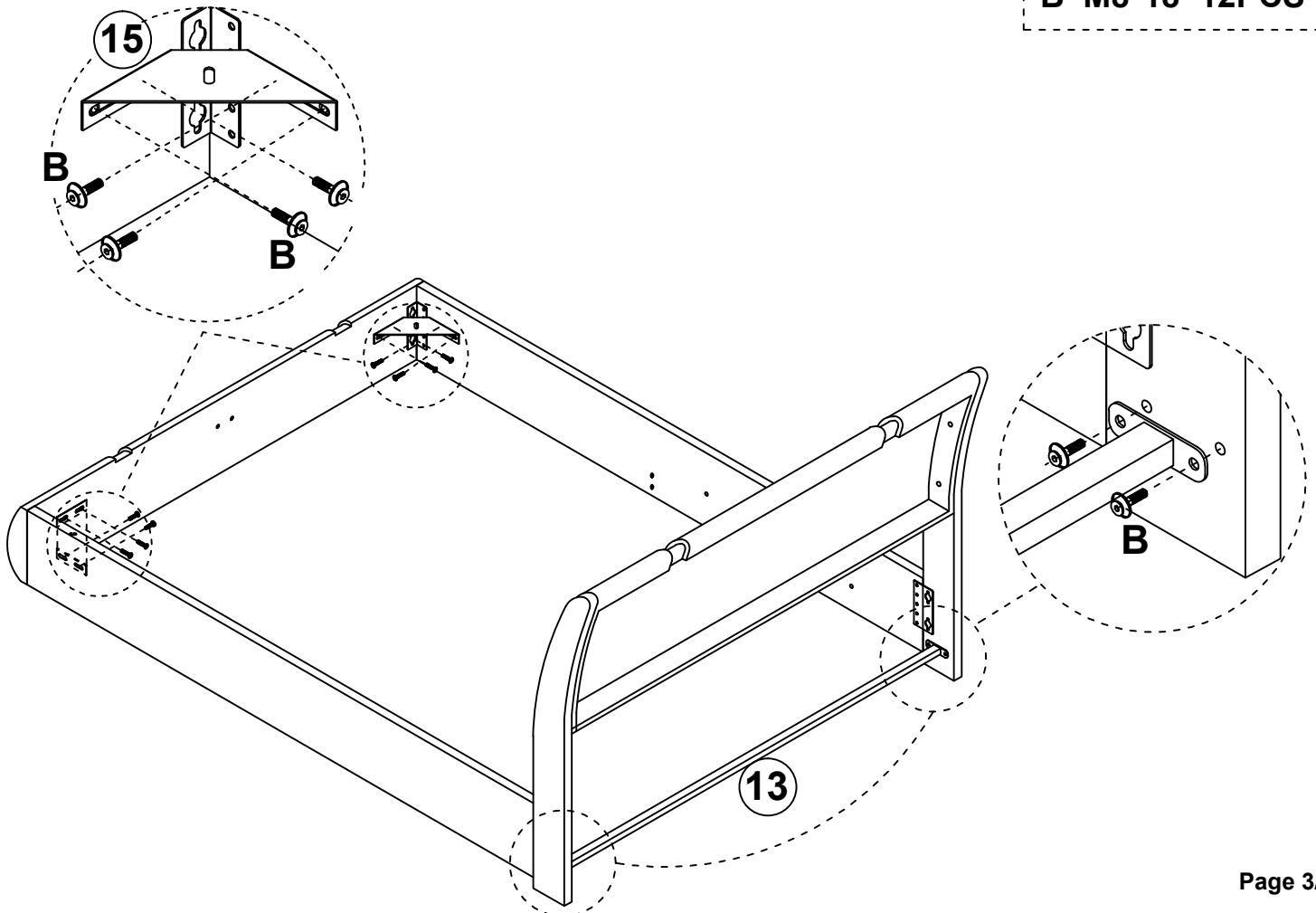
D M8\*45 2PCS



Step:4

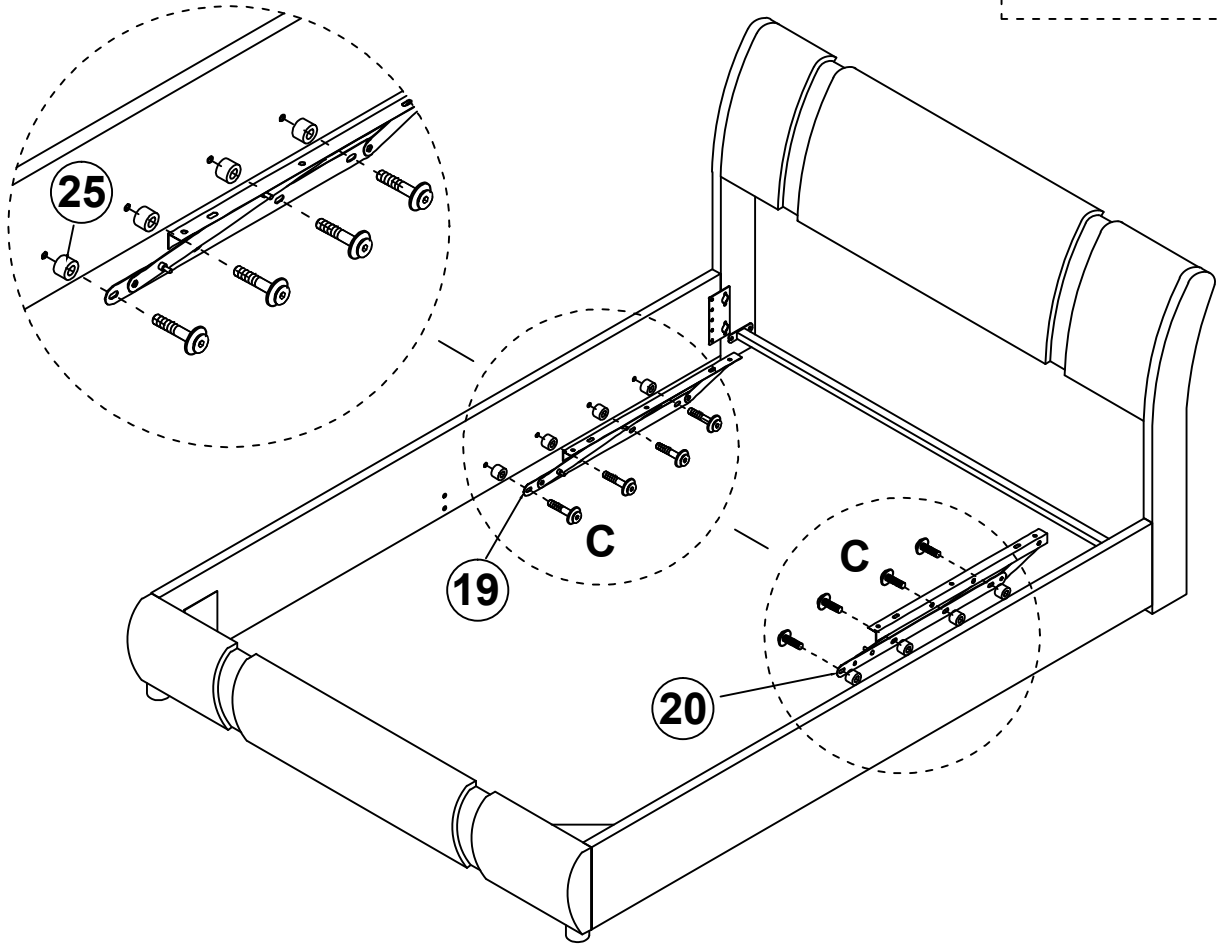
15

B M8\*18 12PCS



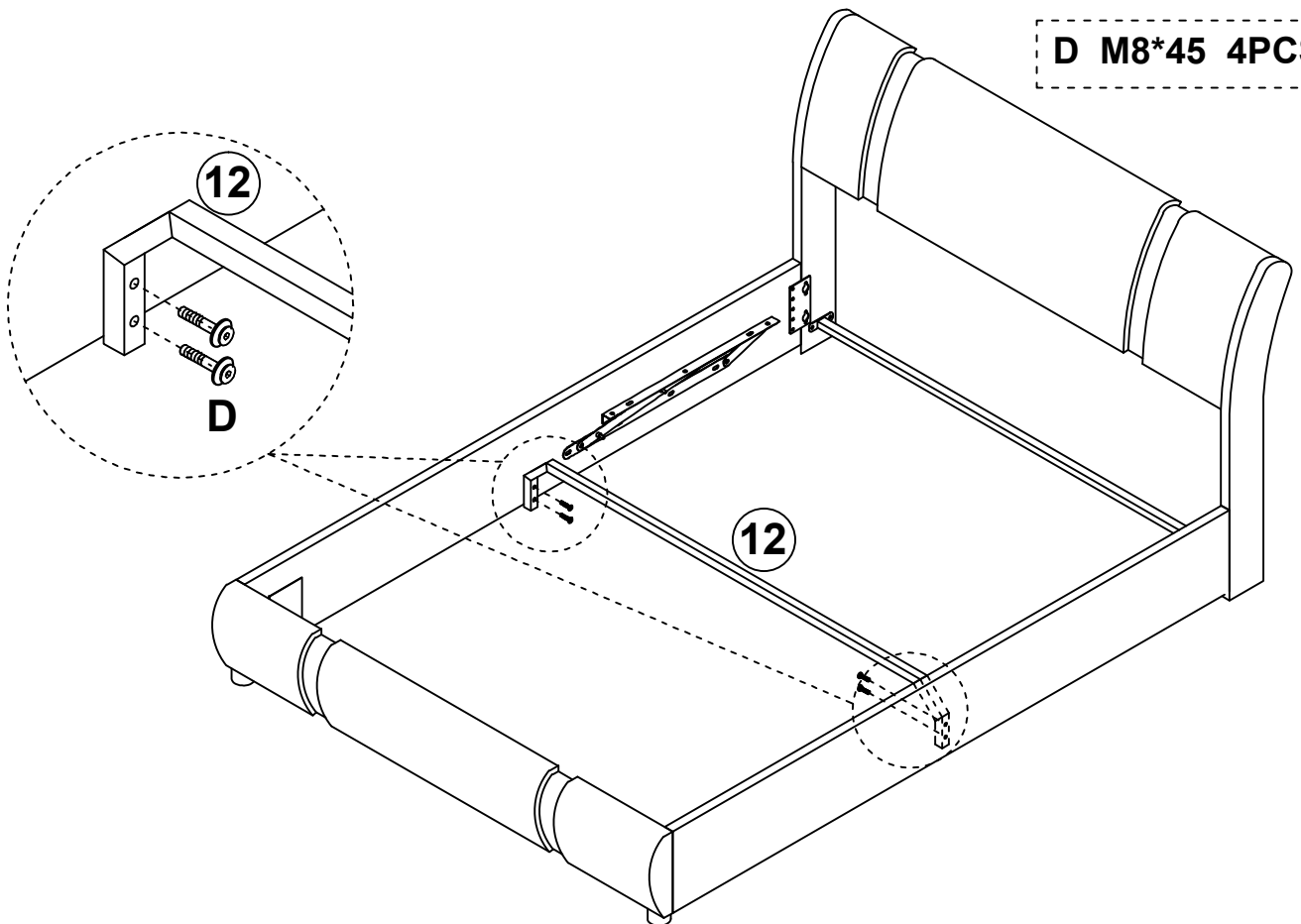
Step:5

**C M8\*35 8PCS**

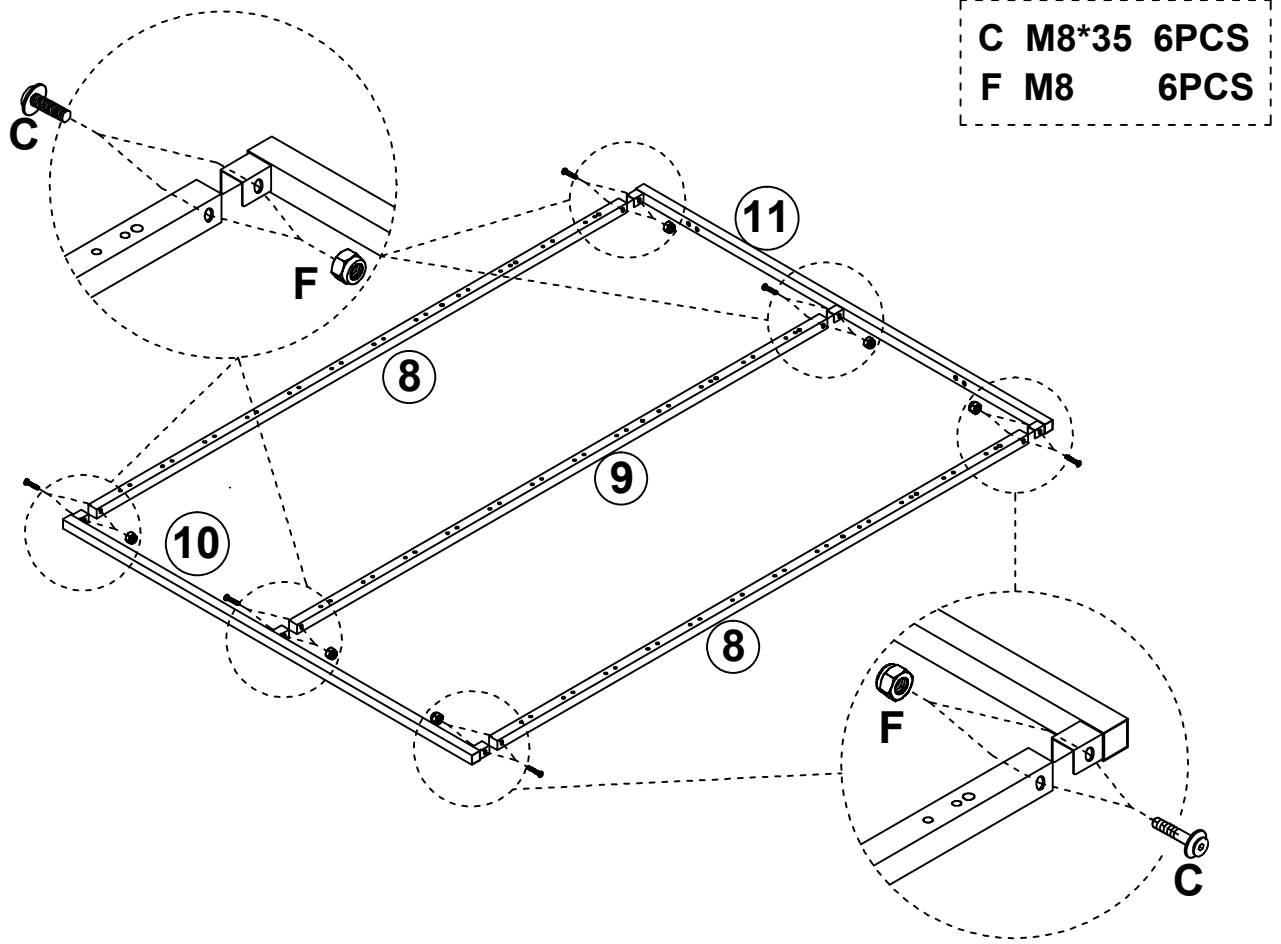


Step:6

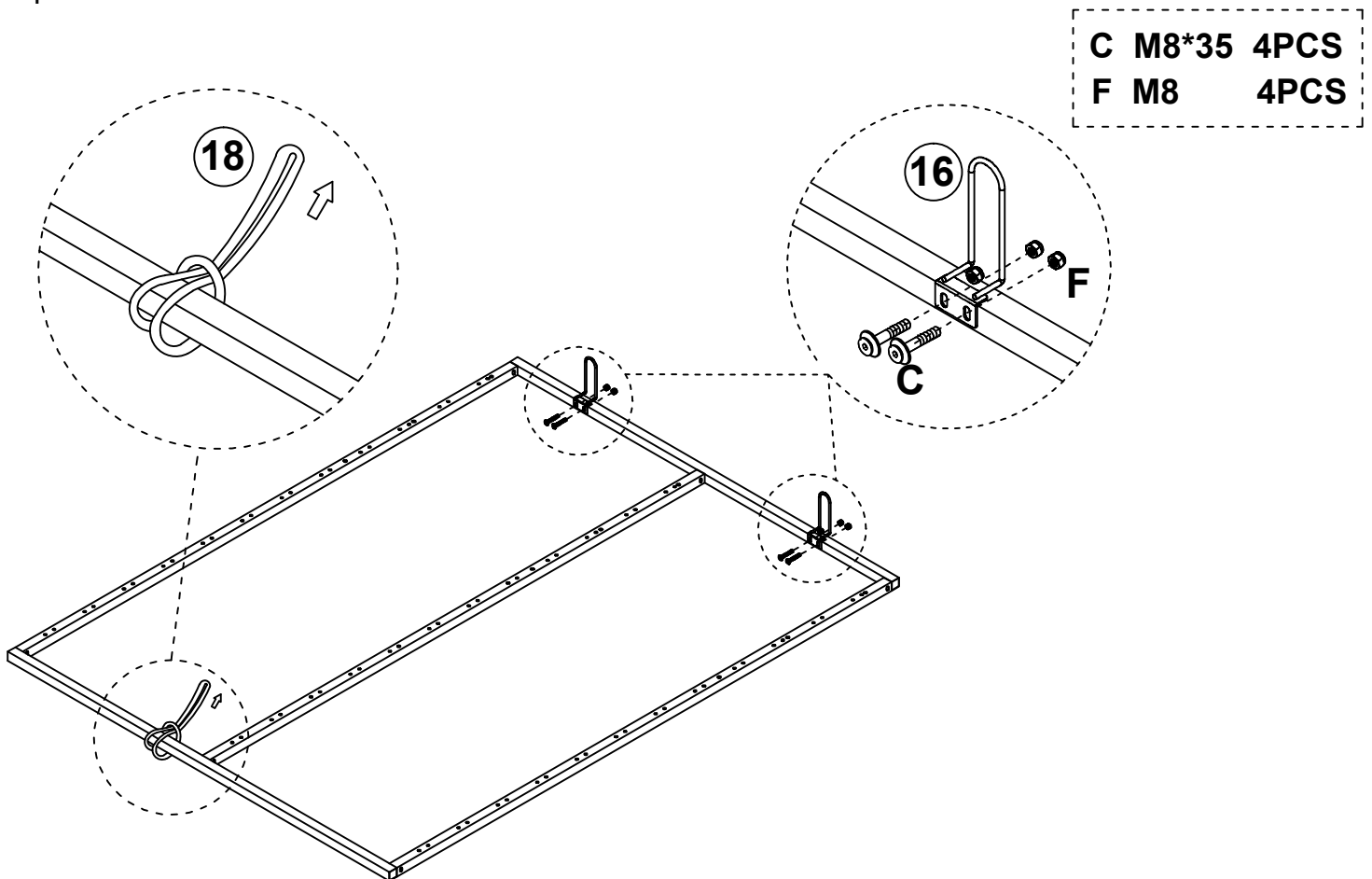
**D M8\*45 4PCS**



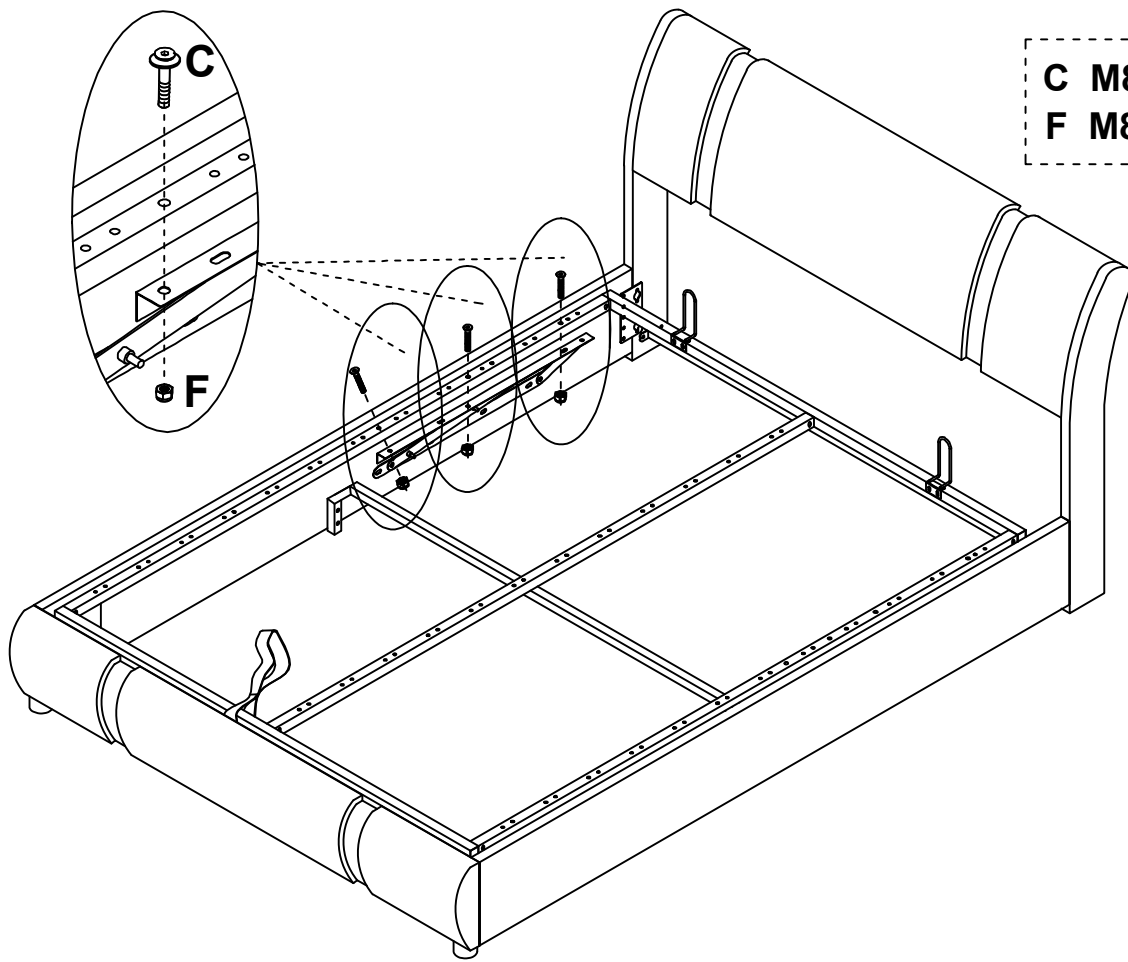
Step:7



Step:8



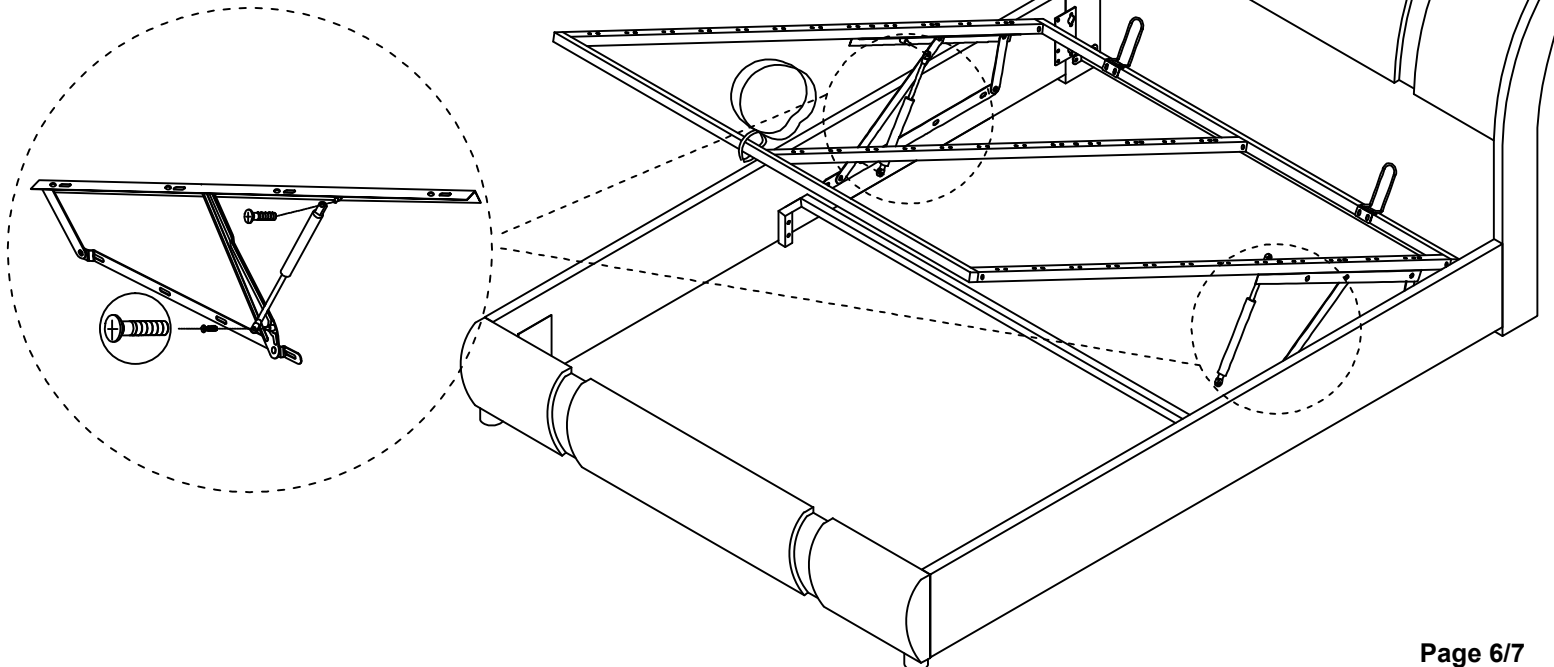
Step:9



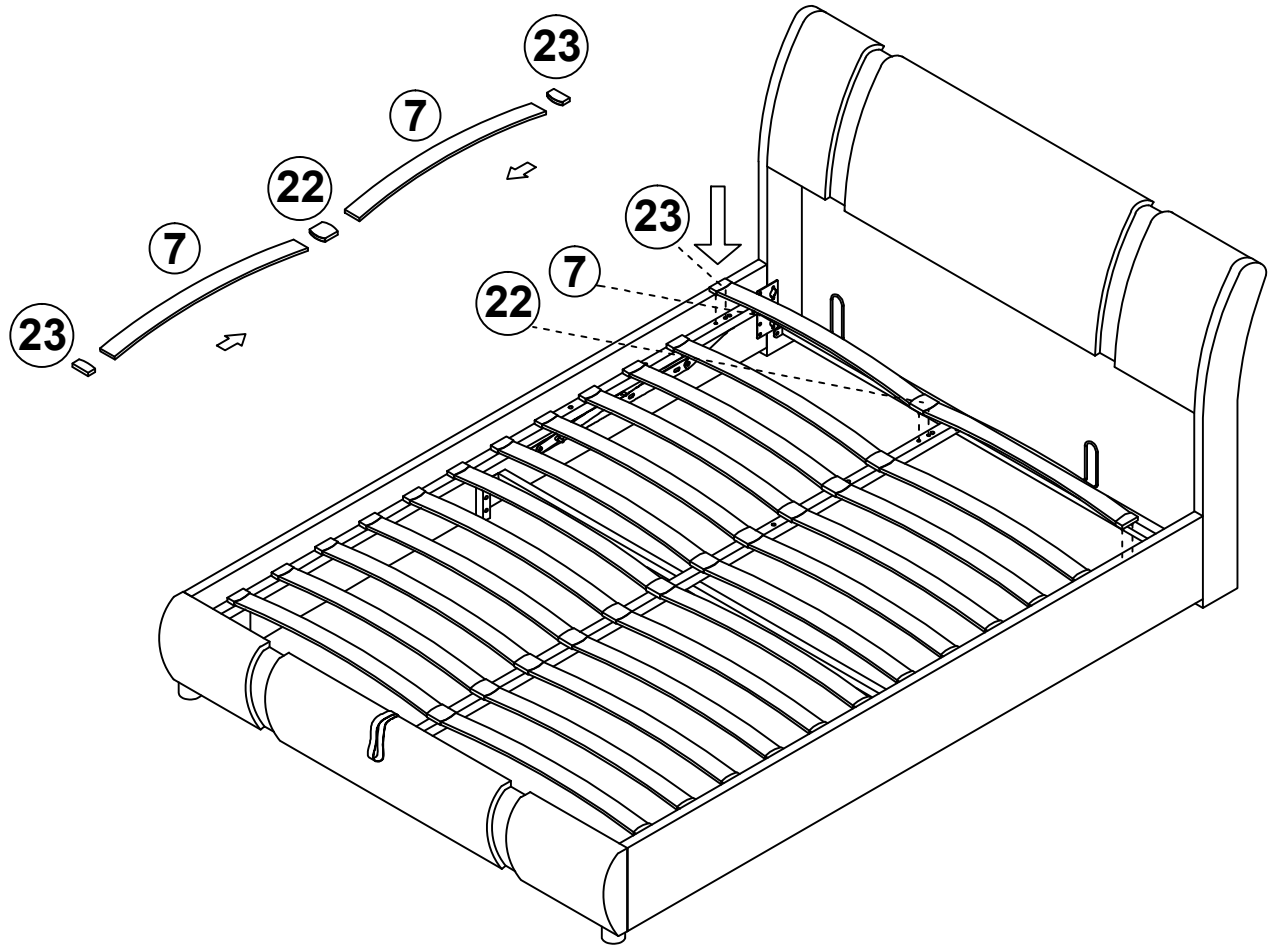
C	M8*35	6PCS
F	M8	6PCS

Step:10

**The cylinder of cylinder frame is not completely installed. Please screw off the screw at the other end and lock it as shown in the figure.**



Step:11



Step:12



Move slowly and operate with caution

