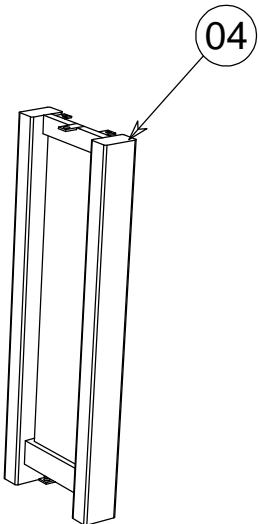
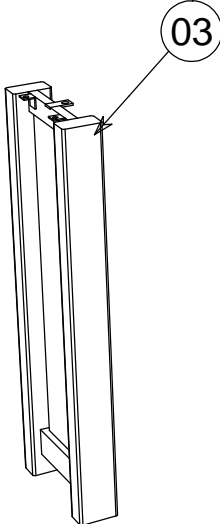
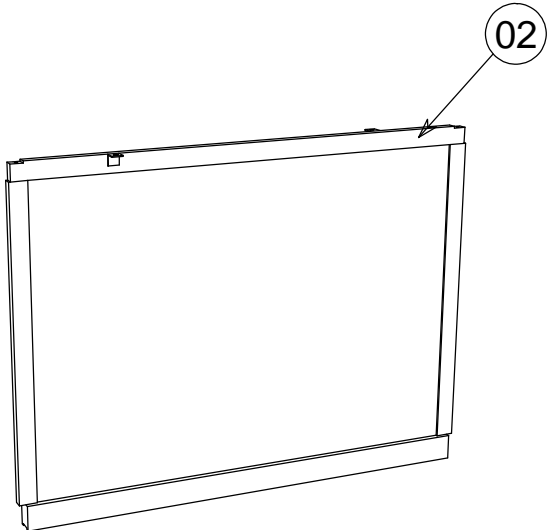
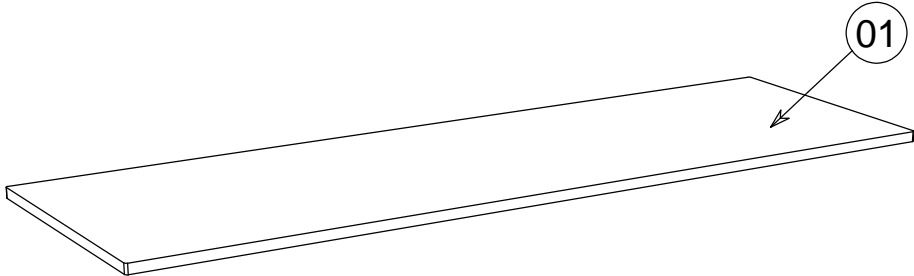
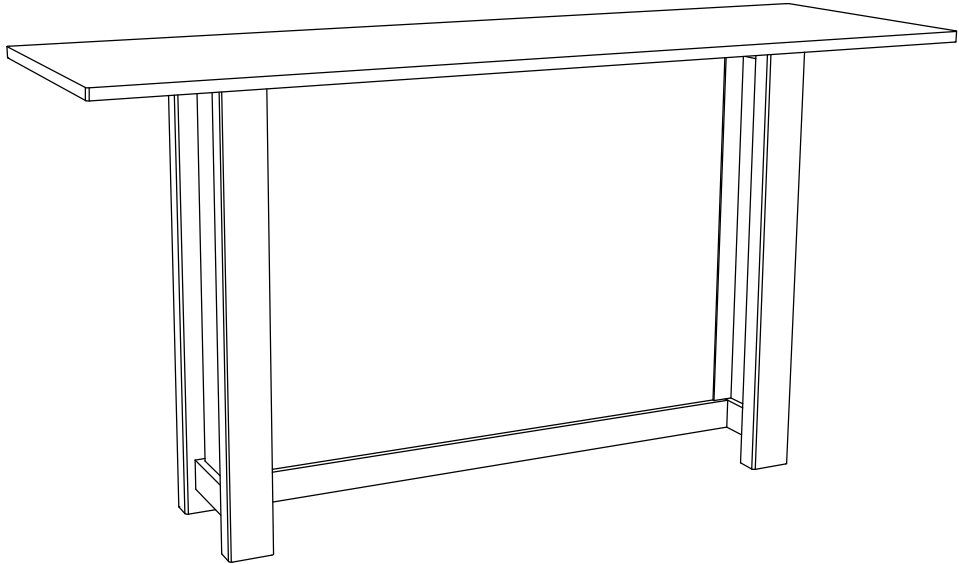


ASSEMBLY INSTRUCTION FOR

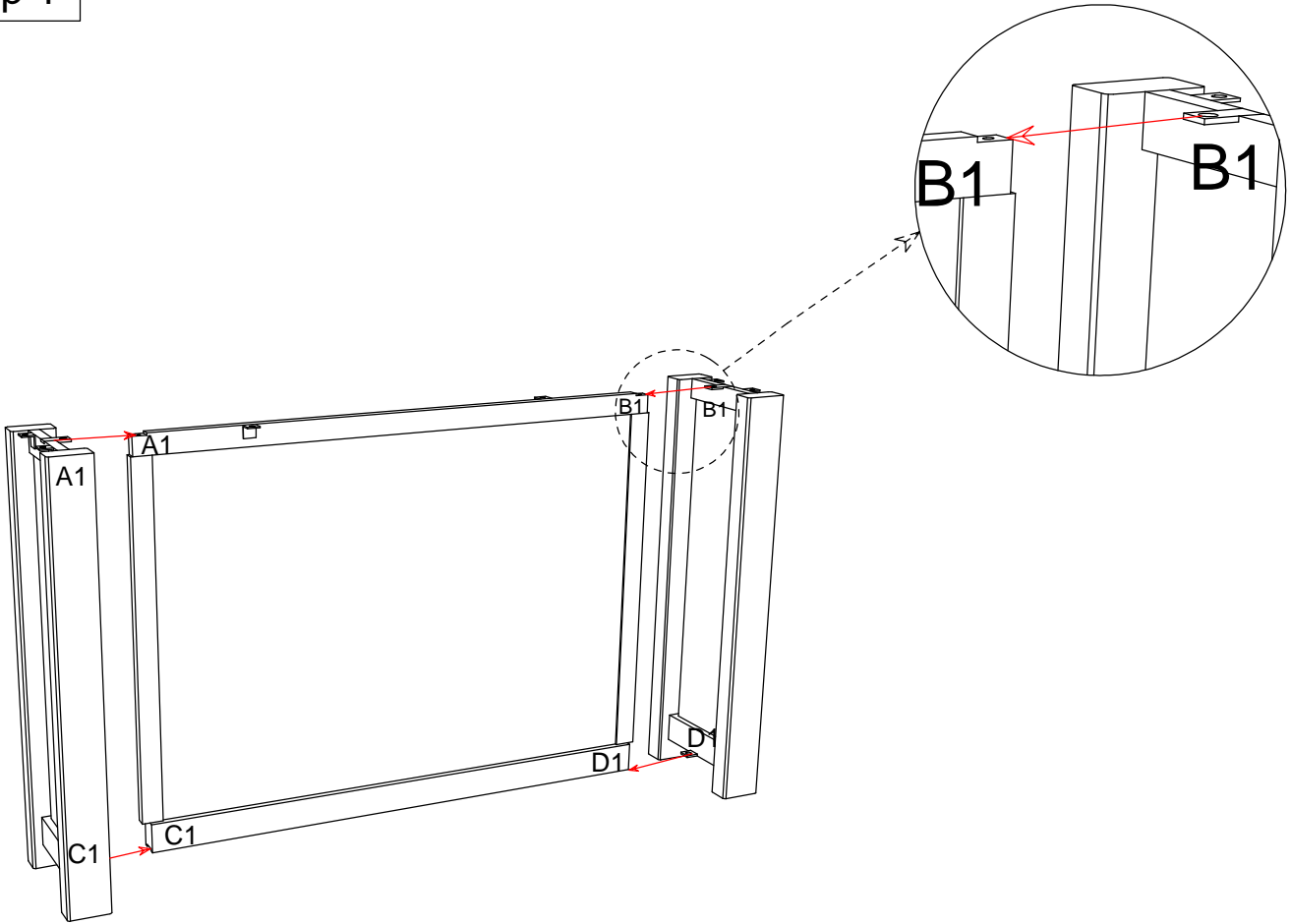
CANTON BAR TABLE

Hardware List

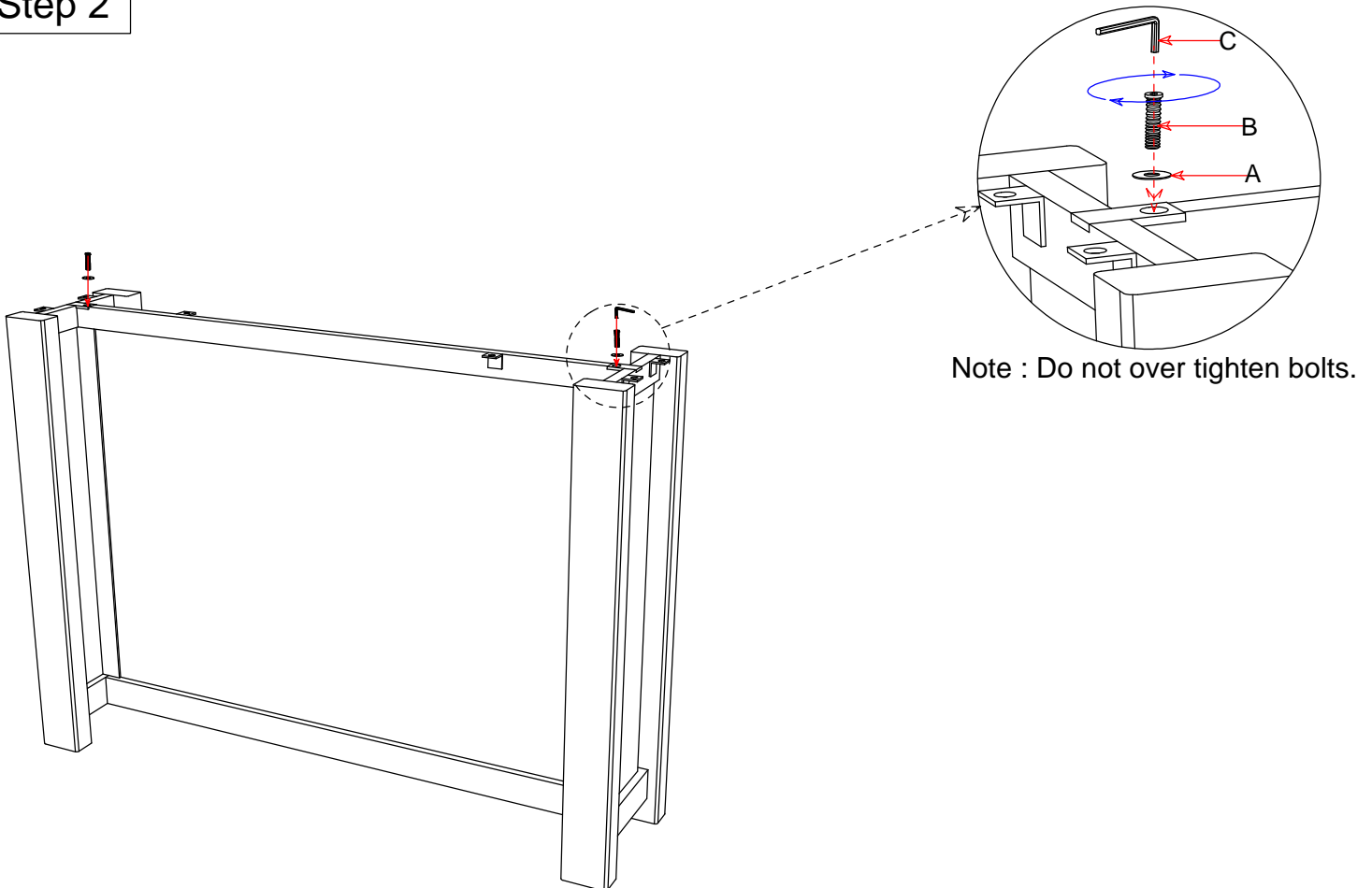
Hardware List				
A		Flat Washer	22XØ8 mm	10
B		Allen Bolt	16XØ6 mm	10
C		Allen Key	4 mm	1



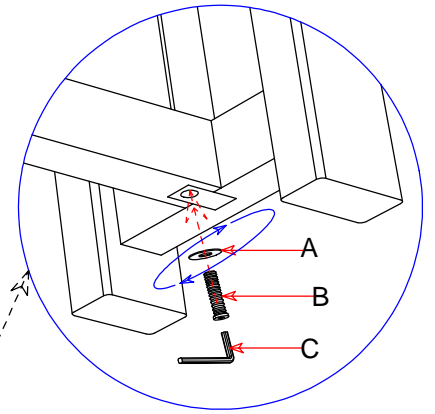
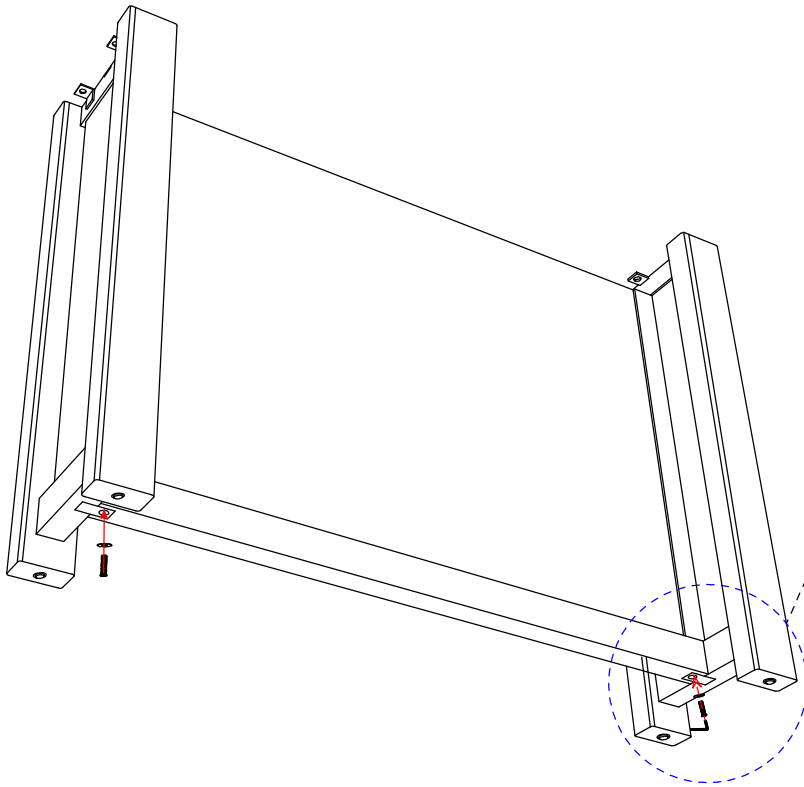
Step 1



Step 2

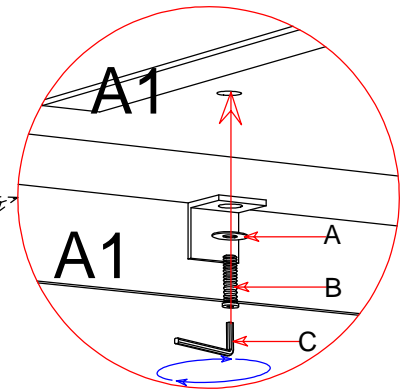
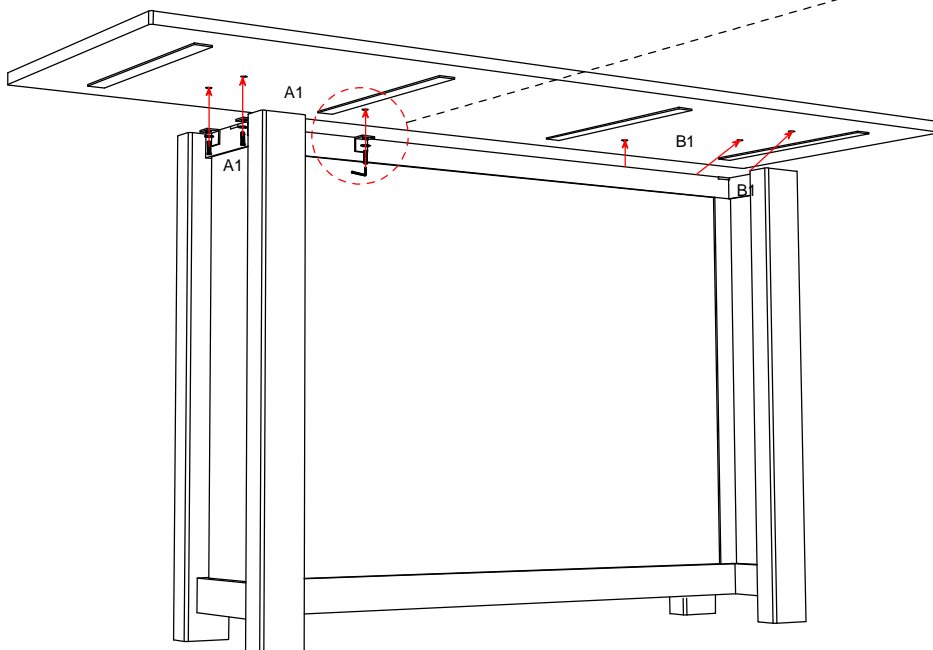


Step 3



Note : Do not over tighten bolts.

Step 4



Note : Do not over tighten bolts.

ADJUSTING FLOOR LEVELERS

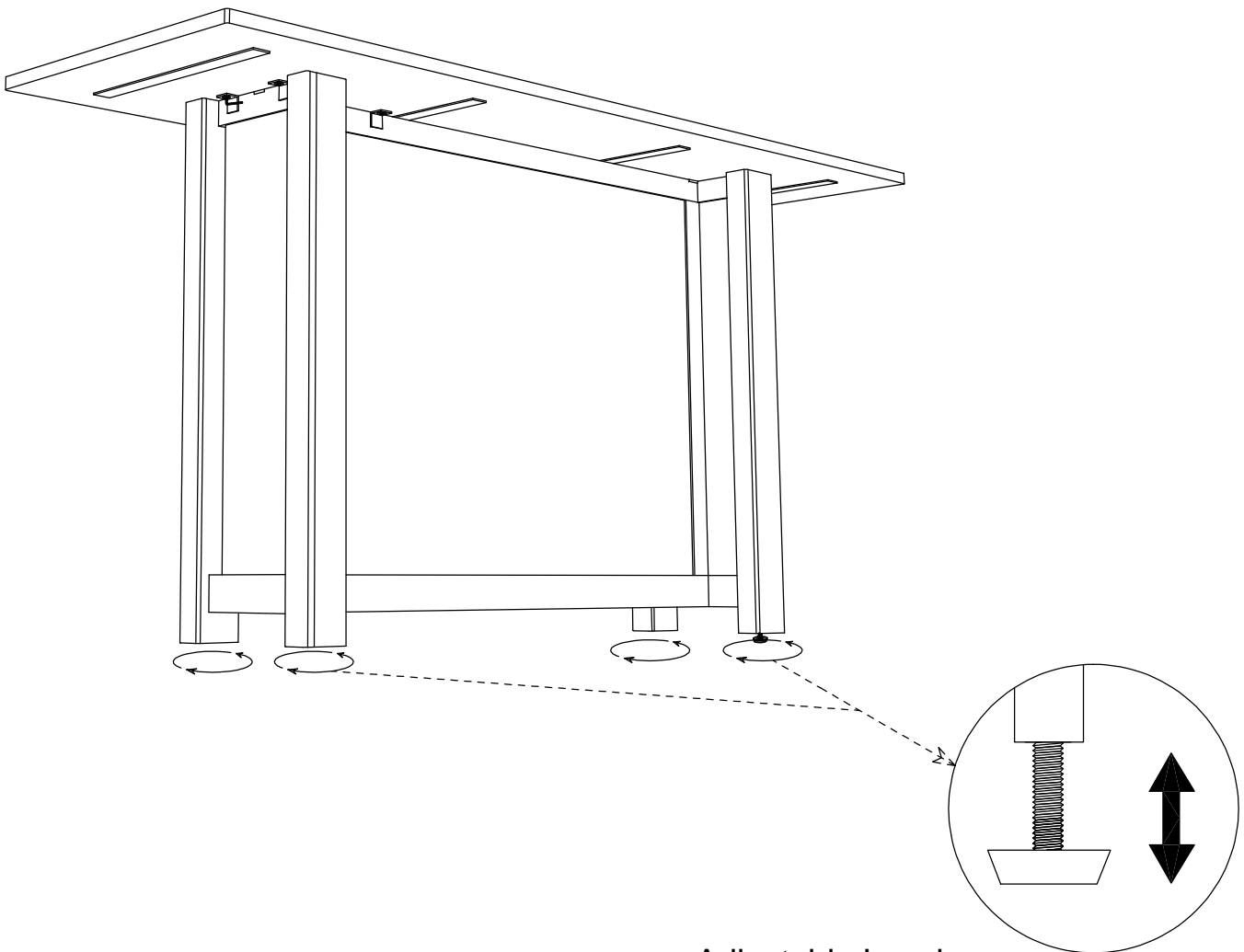
CANTON BAR TABLE

Adjust the Floor Levelers

Check for Stability – Place the furniture in its final position on a level surface. If it wobbles or doesn't sit evenly, the floor levelers need adjusting.

Locate the Levelers – These are small adjustable feet found at the bottom corners of your furniture.

Adjust as Needed – Using your hand or a wrench, turn the levelers clockwise to raise or counterclockwise to lower the furniture. Make small adjustments and check stability after each turn.



Adjustable Leveler