

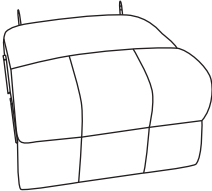
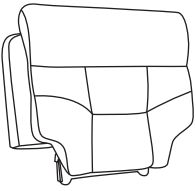


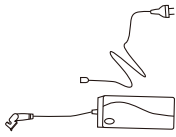
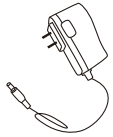

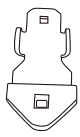


Assembly Instructions

CAUTION

Your recliner comes packaged in two boxes. Carefully remove all of components from the packaging and set aside for assembly.

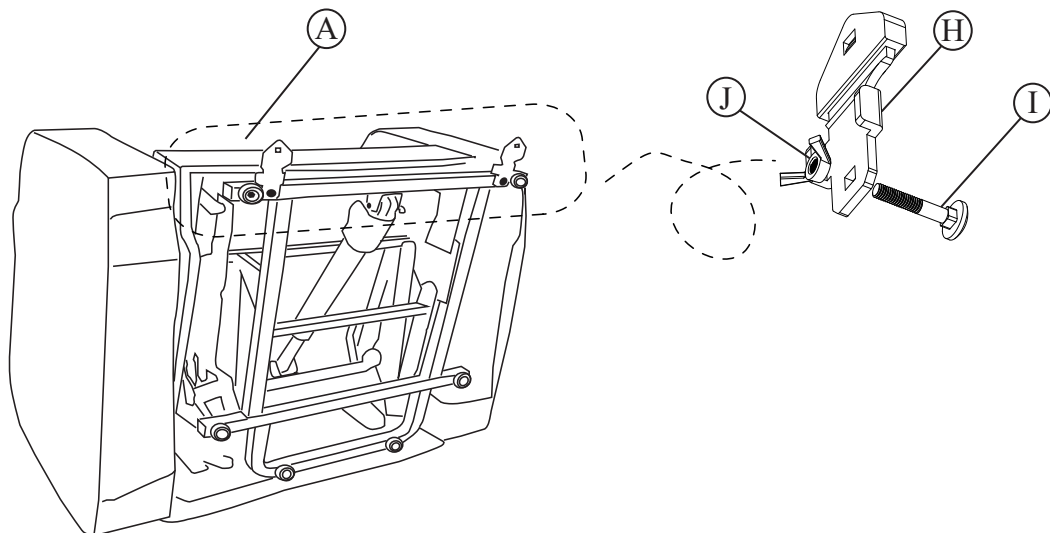
DO NOT use any sharp objects to open plastic wrapped components as this may result damage to product or components .

Package Contents

							
A 1* Chair Seat		B 1*Backrest		C 1*Left Armrest		D 1*Right Armrest	
Box 1		Box 2		Box 3			
							
E	F	G		H	I	J	
1* Power Source	1* Power Cord	1* Massage Remote		2* Supporting Feet	2* Screws	2* Gaskets	
Box 1							

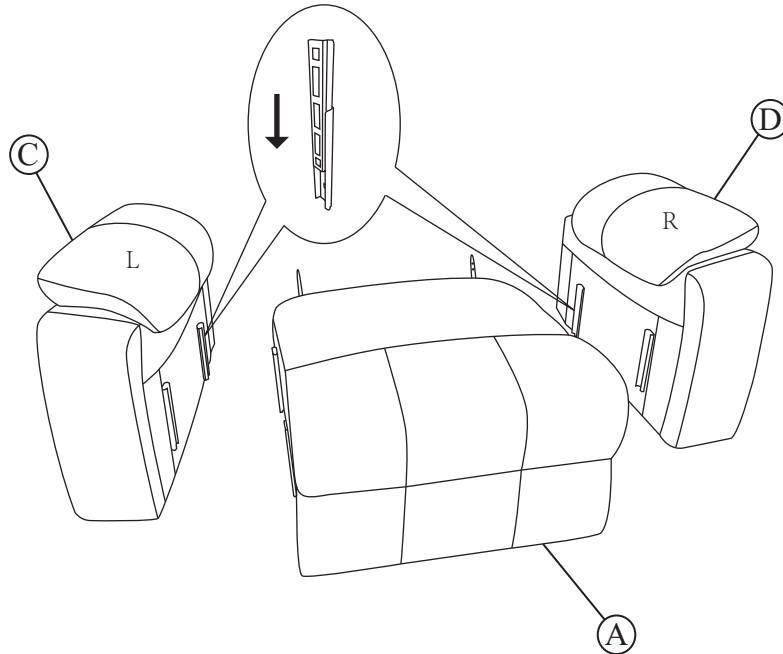
NOTE:

Remove out the bag that holding a rectangle box (Part E) from the bottom of the seat !



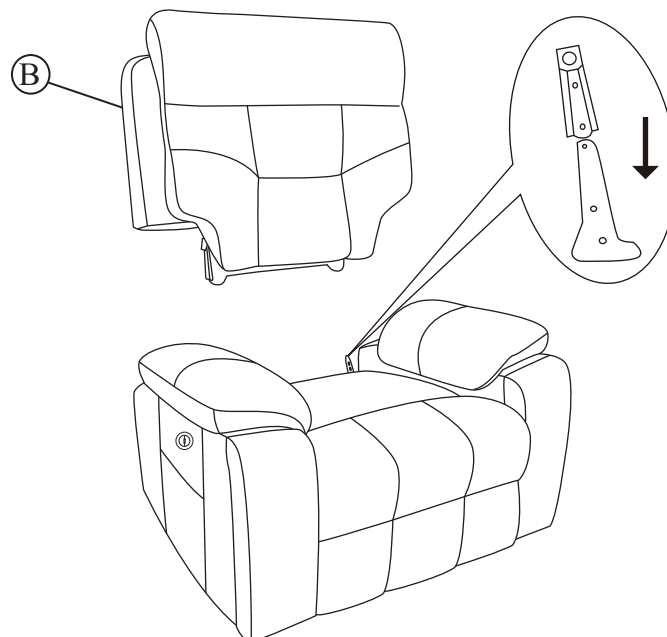
STEP 1

Attach Armrest (C and D) to Chair Seat (A) by aligning the metal grooves on Chair Seat (A) to brackets on the main frame as shown. Ensure the Armrest (C and D) slides down fully over the brackets on the Chair Seat (A).



STEP 2

Attach Chair Back (B) to Chair Seat (A) by aligning the metal grooves on backrest to brackets on the main frame as shown. Ensure the Chair Back (B) slides down fully over the brackets on the Chair Seat (A).

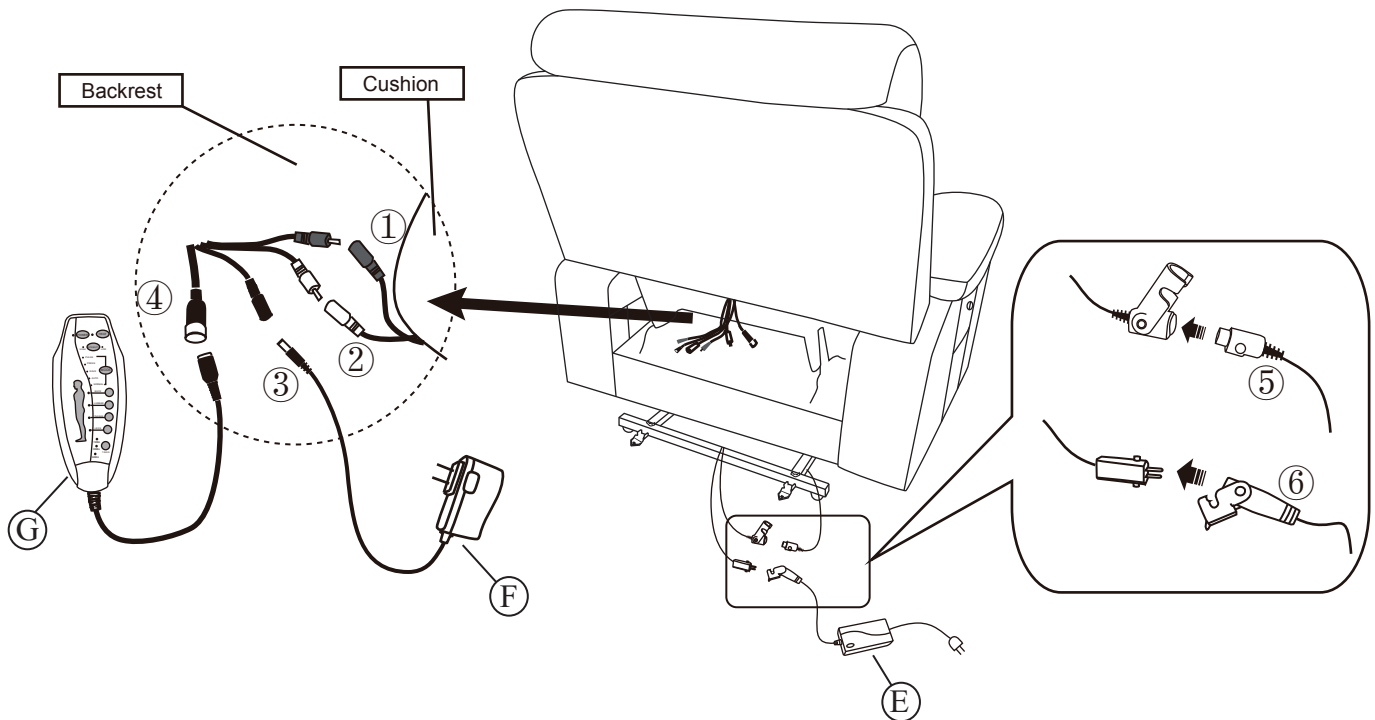


STEP 3

Connect the power connection lugs as shown behind the seat correspondingly.

No.1 wire connect the motor and the wire from leftside armrest.

No.2 wire connect the motor and power source.Plug both the Power Source into outlet to get the recliner working.



Warnings

1. Please check if the components of the chair are all included and can be used normally.
2. Assemble all components according to the instruction correctly before you connect the chair to the power.
3. Please DO NOT sit on the armrests or footrest to eliminate the risk of tipping over.
4. If the chair is damaged or doesn't match the website description, please send clear pictures of the product and label of the carton to our service team for further help.
5. If the recliner doesn't work, you may try the following measures for self-checking firstly:
 - a) Check if all the cables are connected;
 - b) Check if the light of transformer is on.If the chair still doesn't work, please feed the information back to our customer service in time and we'll help you solve the matter as soon as possible.
6. If you have any questions with the product, please contact us

