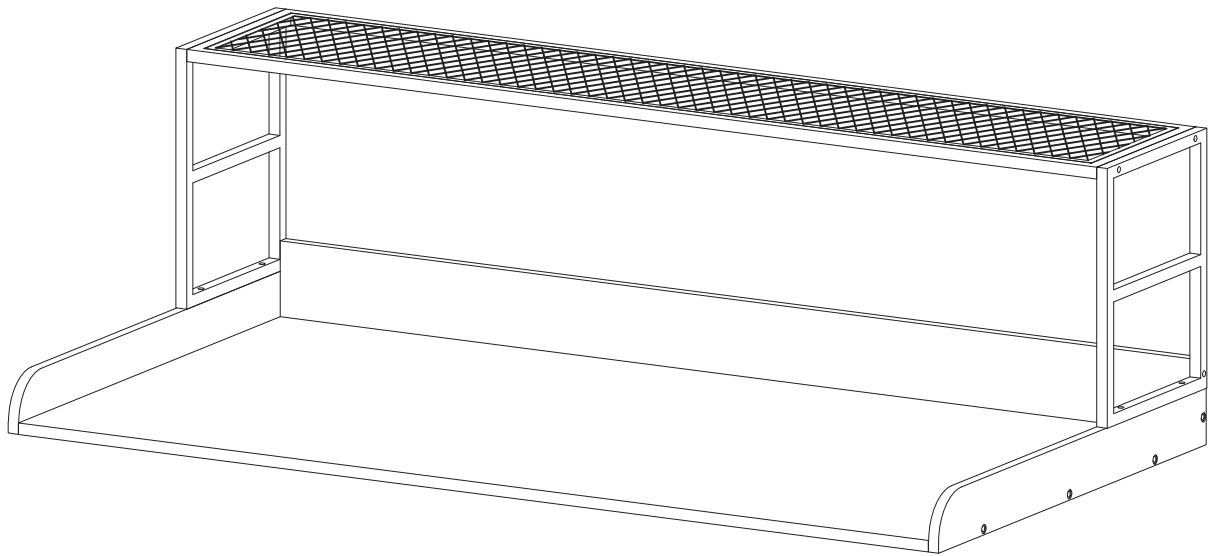




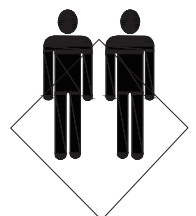
# GOOD LIFE

## Assembly Instructions

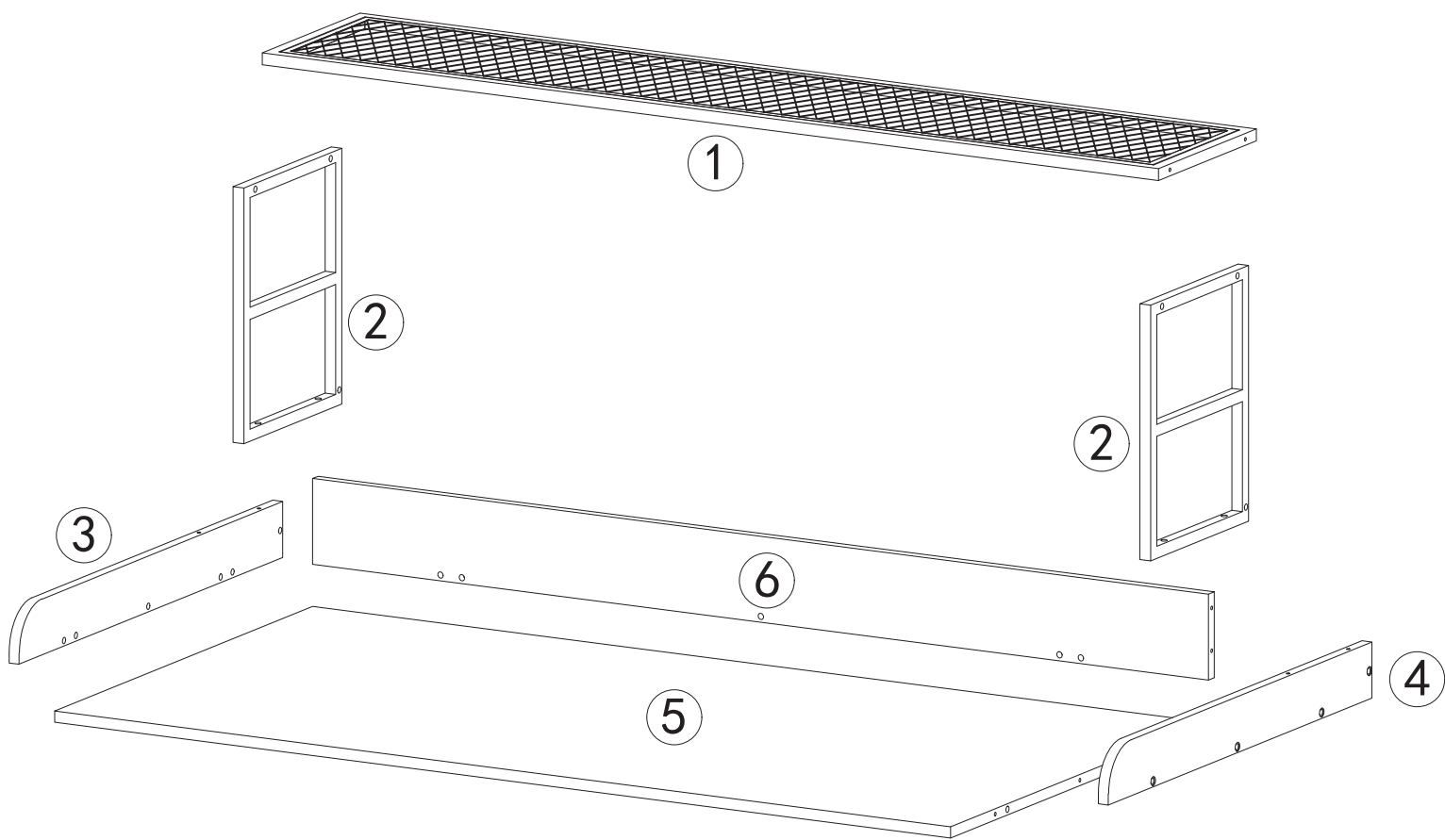
HOU796

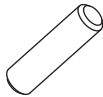


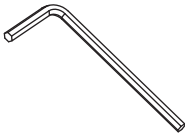
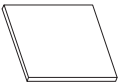


We come with the necessary tools for assembly  
but for faster assembly, a power drill is recommended

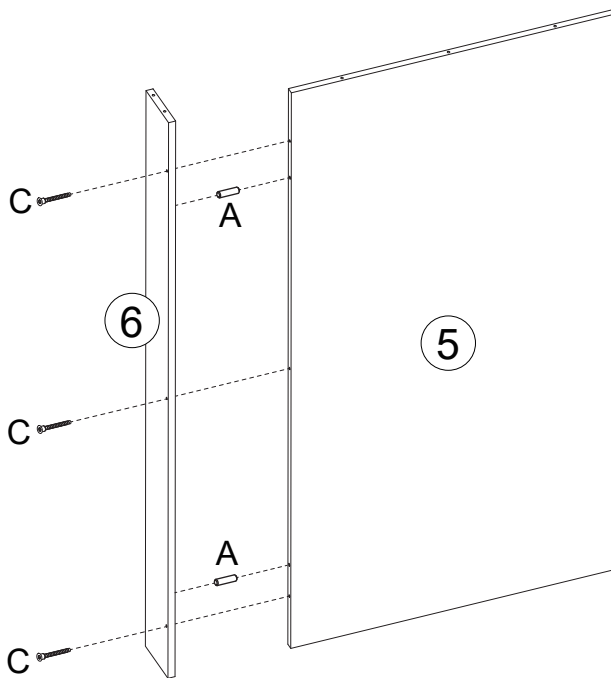


ASSEMBLED BY 2ADULTS



<p><b>A</b></p>  <p>Φ8x30 6+1PCS</p>	<p><b>B</b></p>  <p>M6x25 4+1PCS</p>	<p><b>C</b></p>  <p>M7x38 17+2PCS</p>	<p><b>D</b></p>  <p>1PCS</p>	<p><b>E</b></p>  <p>4+1PCS</p>
---	---	--	---	---

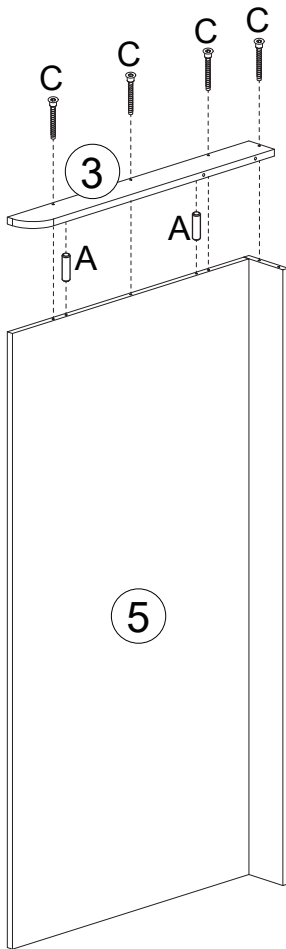
1



Attach Part#6 to Part#5 with screws C\*3 and Dowel A\*2 as shown.

 Dx1	 Ax2	 Cx3
---	---	---

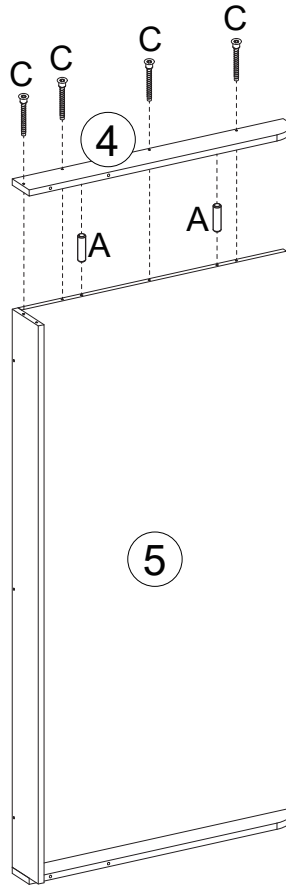
2



Attach Part#3 to assembled unit of step 1 with screws C\*4 and Dowel A\*2 as shown.

 Dx1	 Ax2	 Cx4
---	---	---

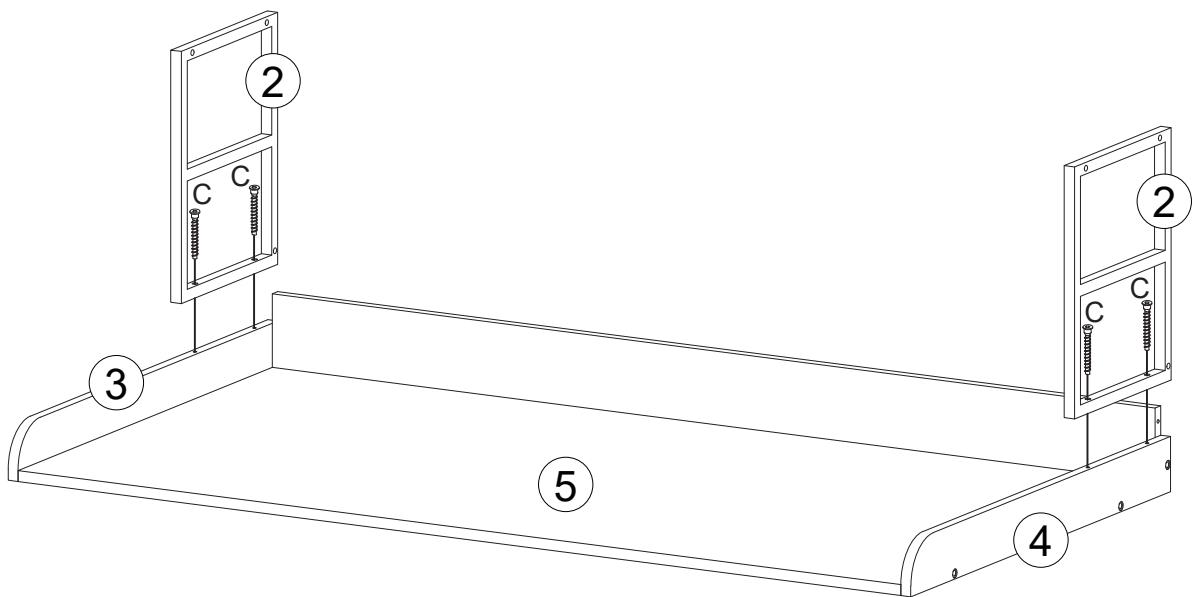
3



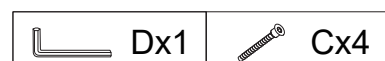
Attach Part#4 to assembled unit of step 2 with screws C\*4 and Dowel A\*2 as shown.



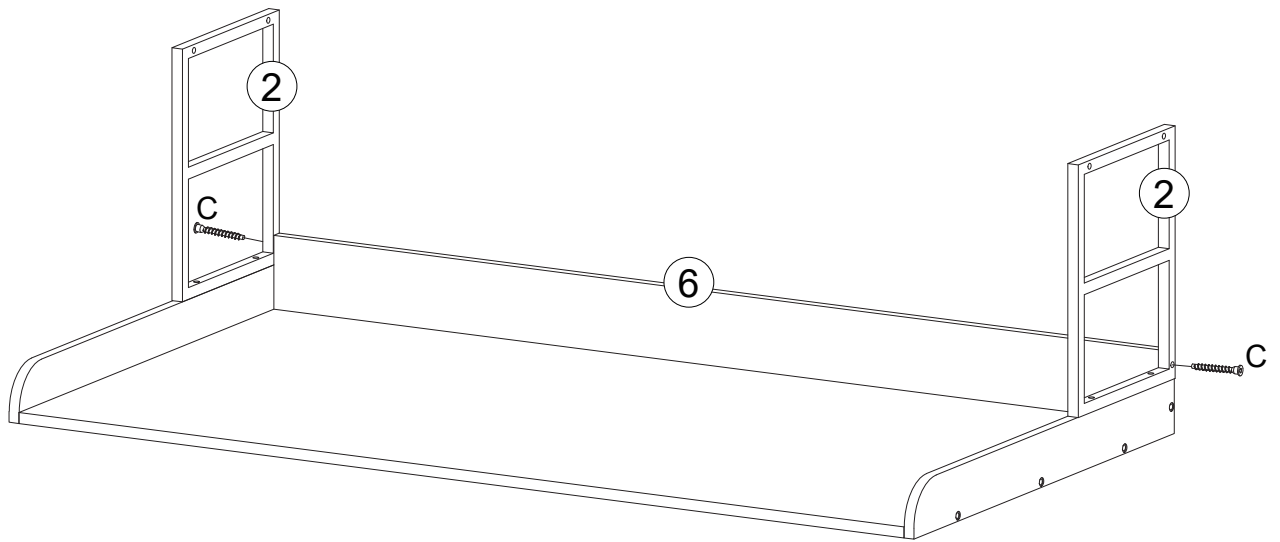
4



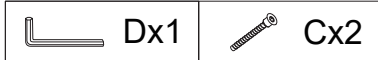
Attach Part#2 \*2 to the assembled unit with screws C\*4 as shown.



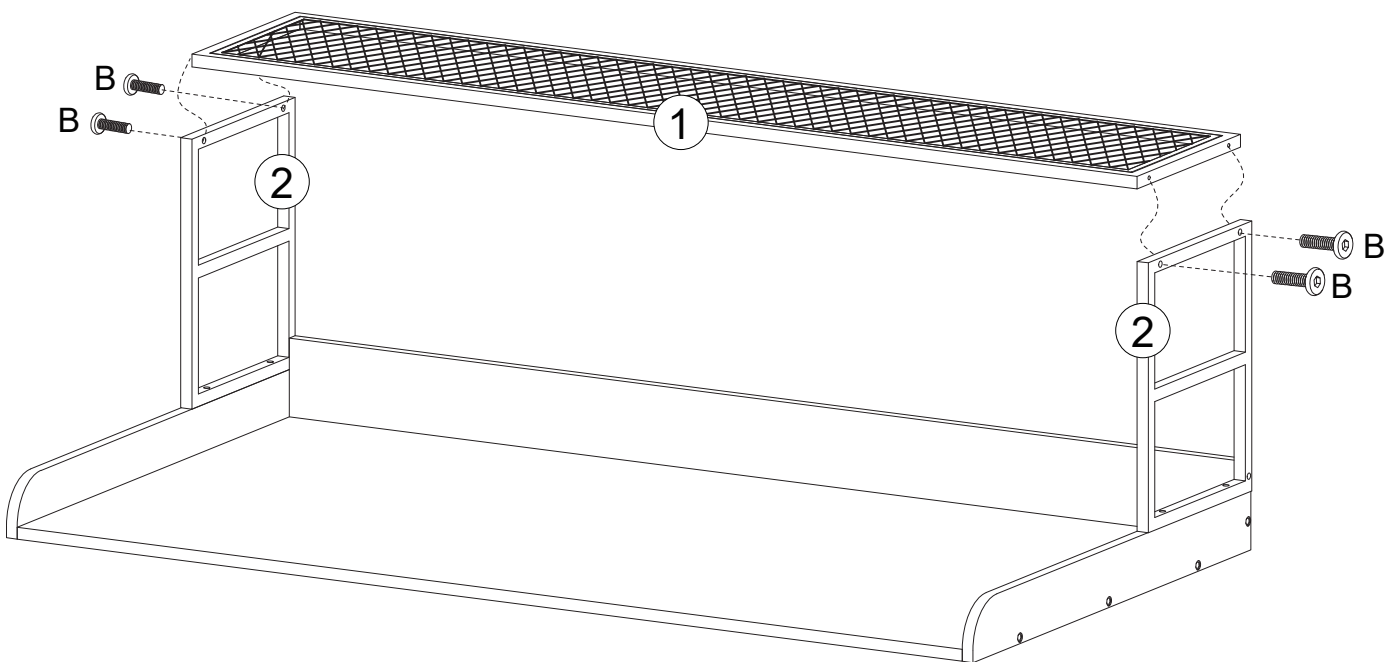
5



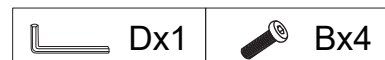
Fix Part #2 with part #6 with screws C\*2 as shown.



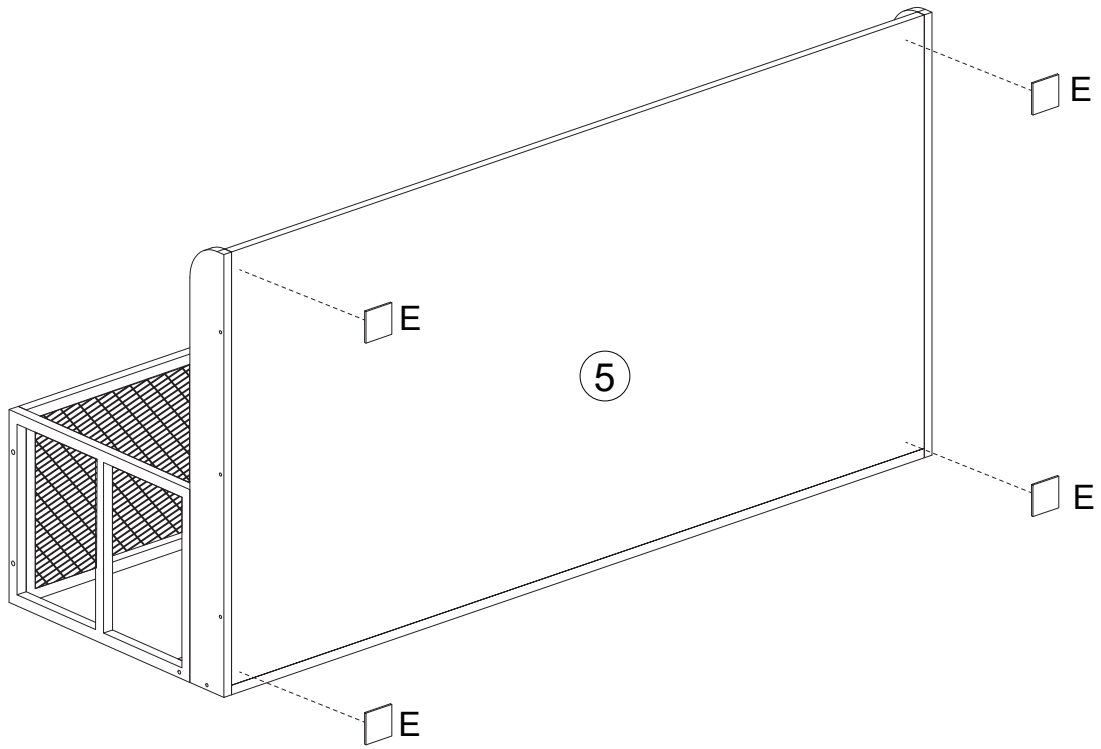
6



Attach Part#1 to the assembled unit with screws B\*4 as shown.



7



We come with non-slip pads that you can choose to use if necessary.

 Ex4

8

Enjoy your new unit 😊

