

ASSEMBLY INSTRUCTIONS



WARNING !

WARNING! READ CAREFULLY THE BELOW LINES BEFORE STARTING THE ASSEMBLY.

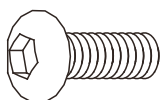
Strictly observe the steps of the instructions in assembling and do not use the item before it is 100% assembled. If the item is broken to some degree, do not use it and consult the store where you have purchased for guidance.

We strive to improve our products, and the specifications may change without prior notice.

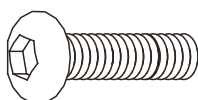
- Incorrect assembly can lead to severe personal injury and property loss.
- Do not tilt the chair or lean over the side when in use. Use it on a level surface only.
- Do not leave the kids alone with the chair or allow the kids to play with it.
- Do not lean on the chair arms, which may tilt and lead to personal injury.
- To be used on flat, stable surface only.
- Do not stand on chair.
- If the item is beyond repair, please stop using it and get it disposed properly, for a broken chair may cause personal injury.
- This item is intended for household indoor use only.
- The seat adjustment could only be replaced or repaired by trained professionals, and the components contains energy accumulators.
- Keep this instruction manual in case of further reference.

Check and make sure you get the components on the list, contact us for any missing

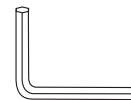
A Screw(M6x20mm) x 4



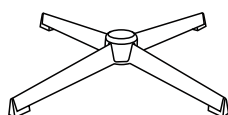
B Screw(M6x25mm) x 8



C Allen Wrench x1



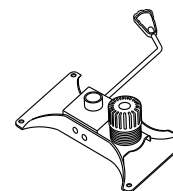
D Base x1



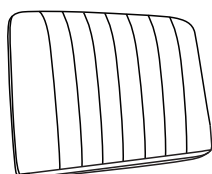
E Gas Lift x1



F Seat Plate x1



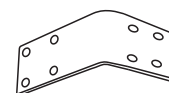
G Back Cushion x1



H Seat Cushion x1

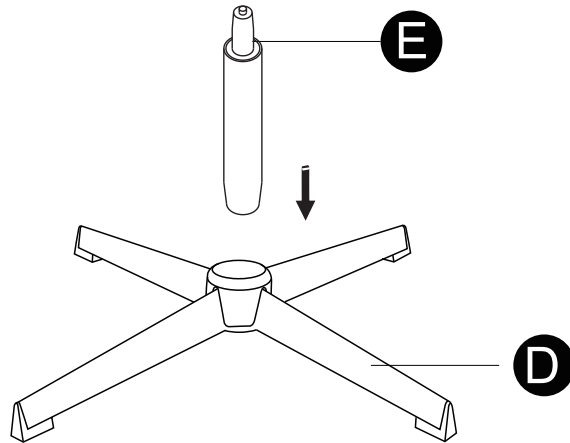


I Connect iron x1

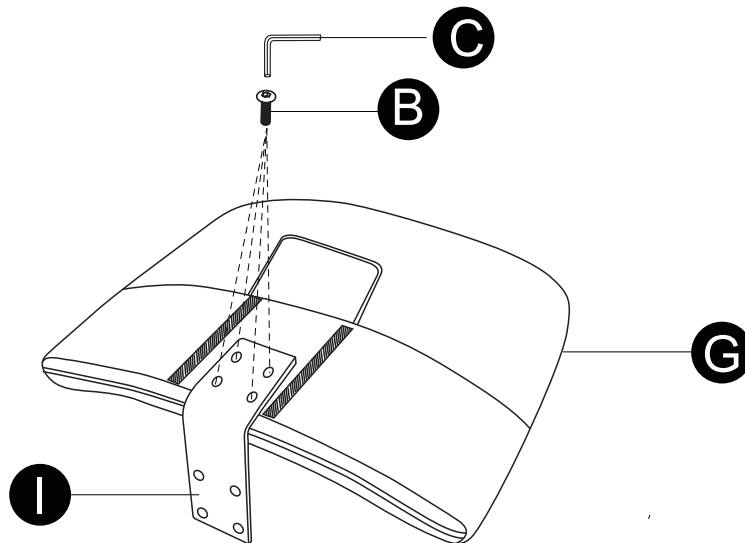


Installation step

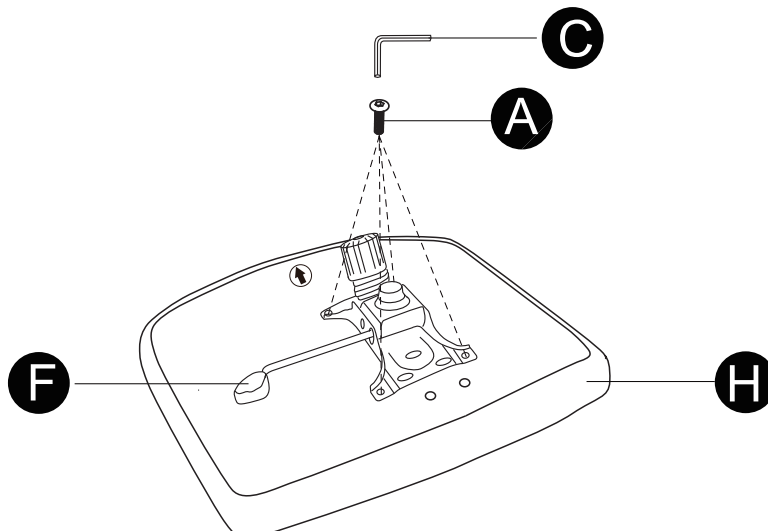
1



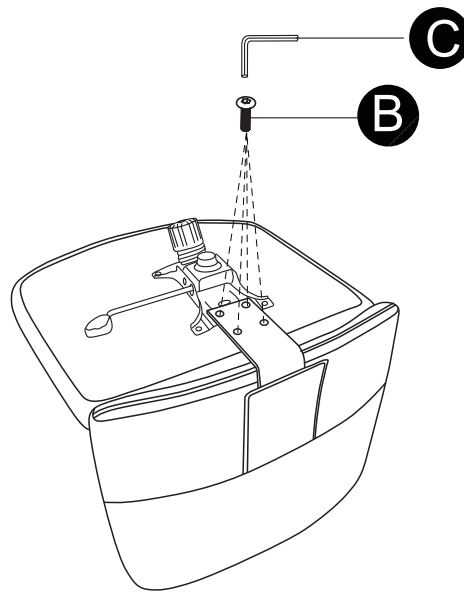
2



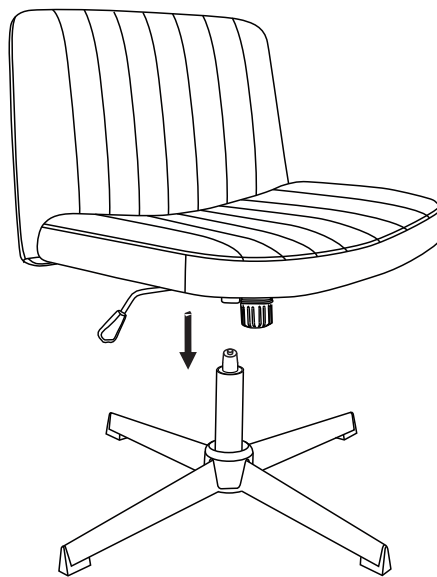
3



4



5



6



Installation step

