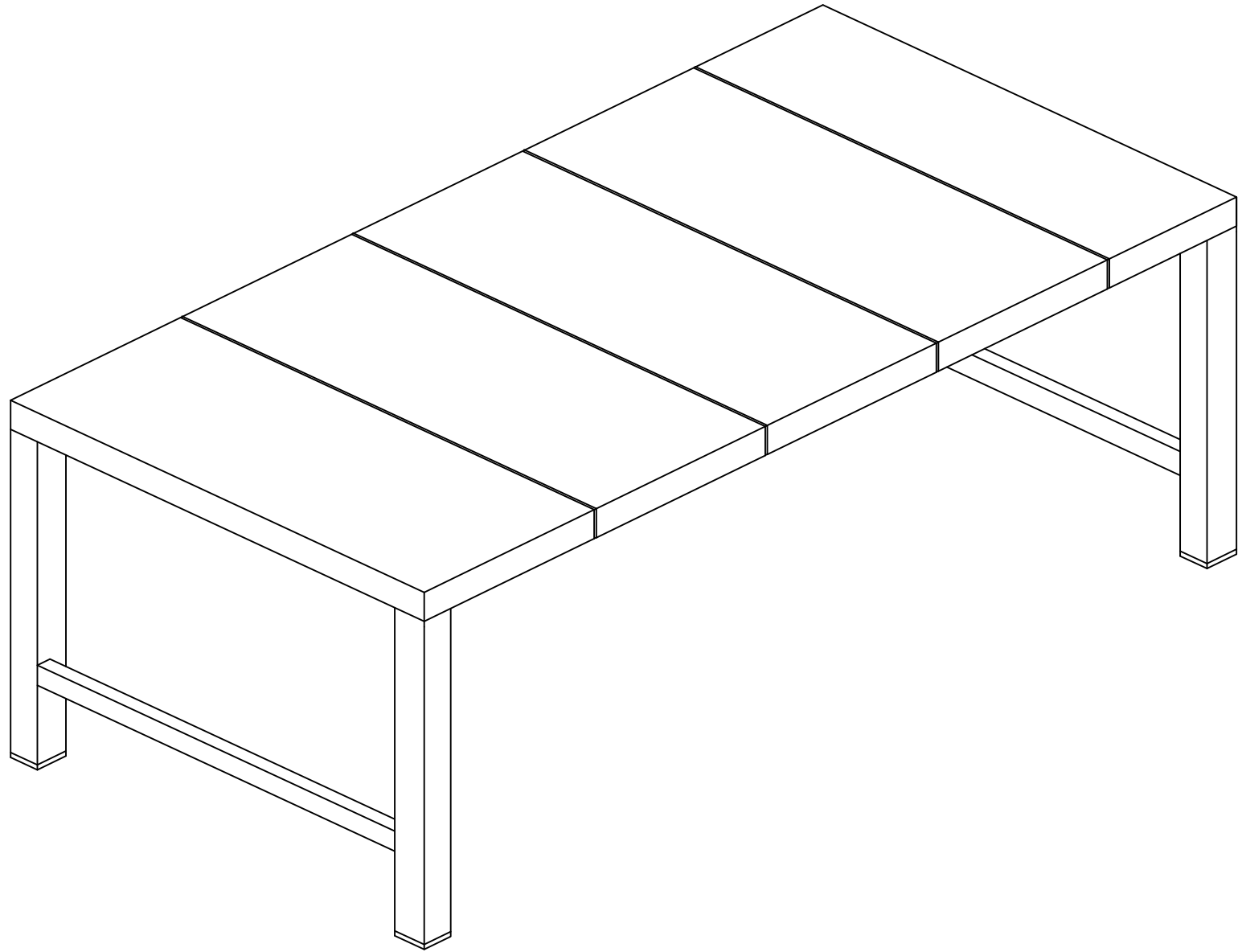


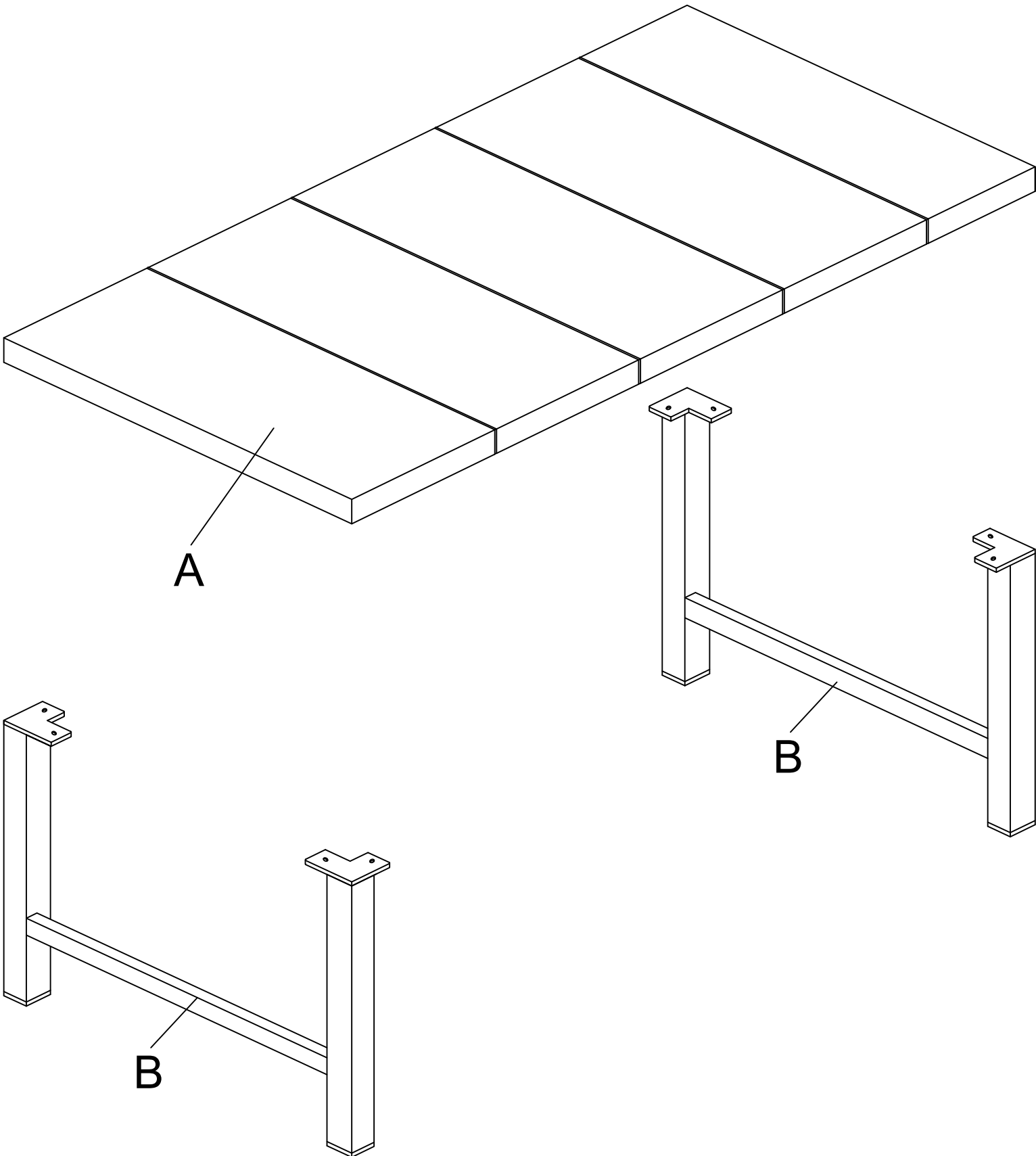
Assembly Manual

Tea Table



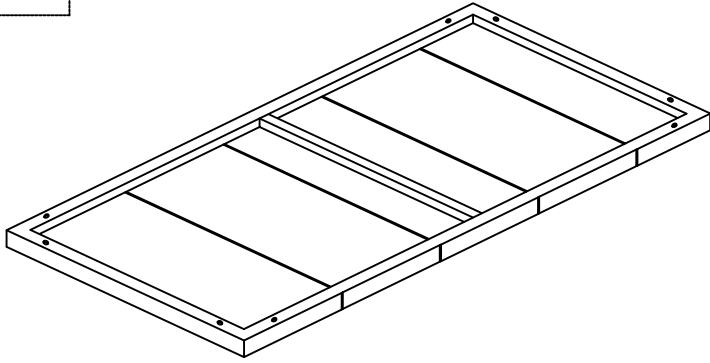
Please read this manual carefully before any operation and keep it properly for future use.
If any problems on our product, please feel free to contact us

Exploded View



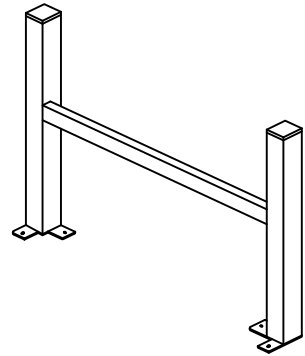
Components List

A



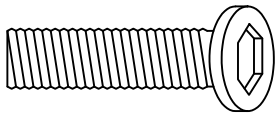
Top	1PC
-----	-----

B



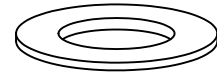
leg	2PCS
-----	------

C



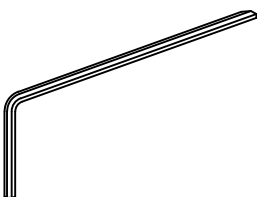
Bolt	M6X20	9PCS
------	-------	------

D



Washer	M6	9PCS
--------	----	------

E








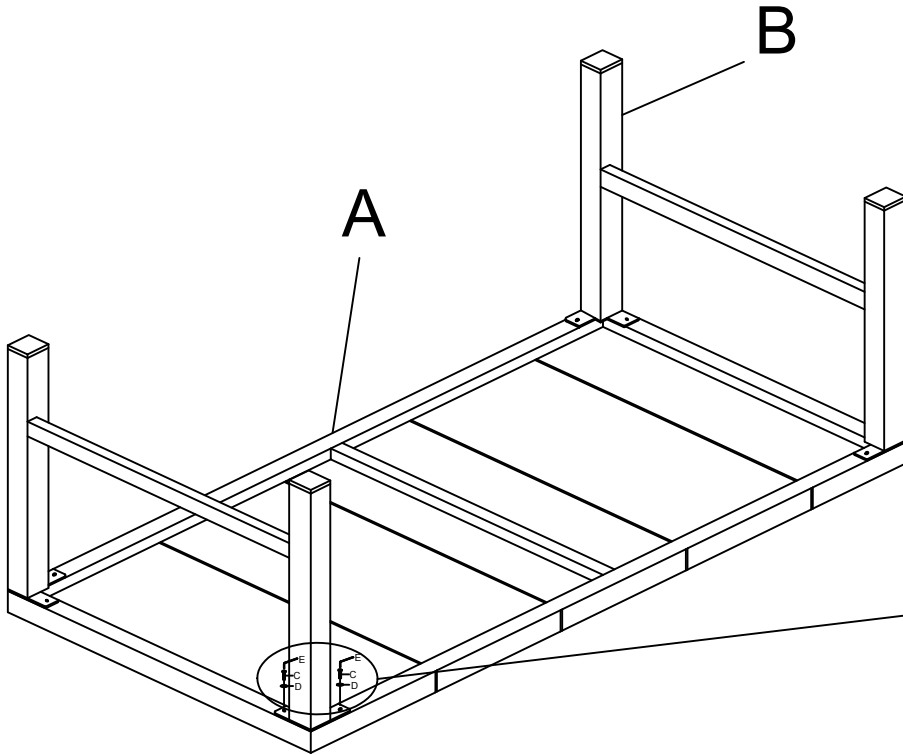
Allen wrench	M6	1PC
-----------------	----	-----

ASSEMBLY INSTRUCTION

Step 1

Attach legs(B) to the tabletop(A) using washers(D), bolts(C) and Allen wrench(E). **Hand-tighten all screws to about 80% first. After all screws are in place, tighten them fully in sequence.**

	AX1
	BX2
	CX8
	DX8
	EX1



Step 2

Tighten all the bolts, flip the table over. The assembly is done.

