

# INSTRUCTION MANUAL

Thank you for your purchase, please consult the installation instructions

## PARTS LIST



①



②



③



④



⑤



⑥



⑦



⑧



⑨



⑩

Please make sure that you have all parts indicated before you begin assembly of this item

① Gum plugs for screws

② Machine Screws for fixing bracket

③ Screw Gaskets

④ Screws for fixing bracket and canopy

⑤ Mounting Bracket

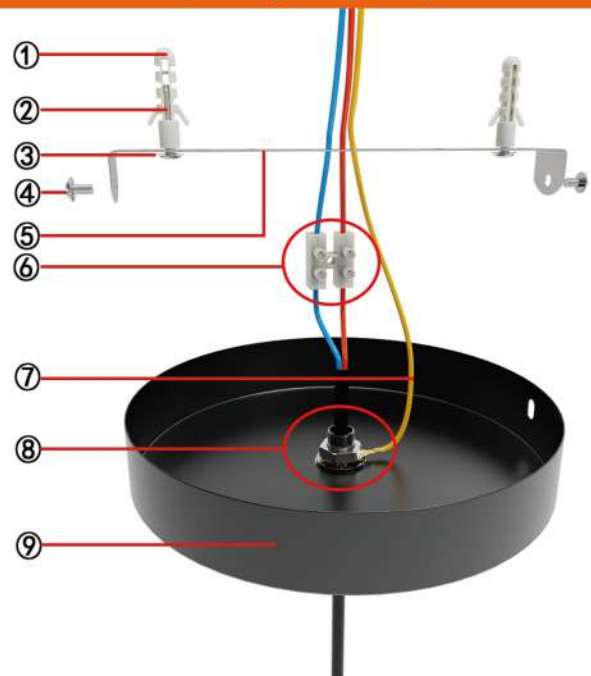
⑥ Wire connector

⑦ Ground wire

⑧ Transparent Locking Wire Buckle & Nut

⑨ Ceiling Canopy

⑩ Wire Cap



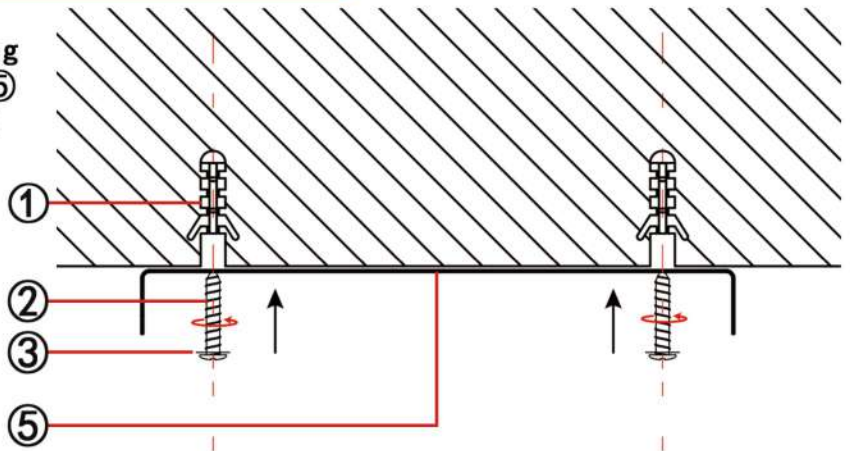
- Please check the strength of the ceiling before installation and install it in a place where it can bear the weight. (If the strength is insufficient, please make sure to reinforce it before installation.)
- Do not install in a dangerous and unstable place.

# INSTALLATION STEPS

## 1. Mounting the bracket to the ceiling

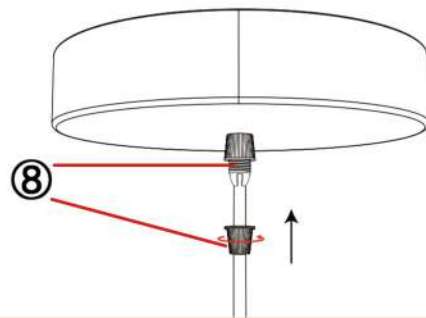
1) Punch holes in the ceiling according to the holes of ⑤ the bracket and then put ① gum plugs into the holes.

2) Put ③ Screw Gasket into ② Machine Screw and then fix ⑤ the Bracket to the ceiling.



## 2. Secure the cord.

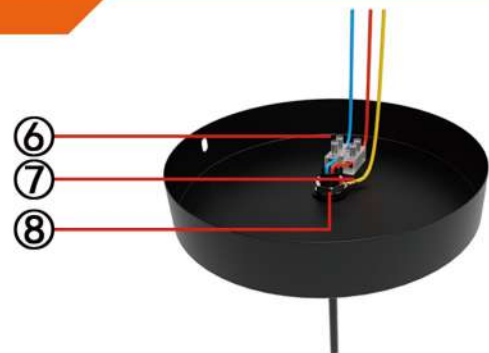
Unscrew ⑧ Transparent wire buckle, pass and pull the cord through the canopy to adjust the length of the cord, and then tighten Transparent wire buckle.



## 3. Connect the power cord

Positive and negative of your home  
Connect the cord through ⑥ Wire connector in order.

(If you need to connect a ground wire, please use ⑦ ground wire to connect the ground wire reserved in your home with ⑧ Transparent Locking Wire Buckle.)



## 4. Fix the Ceiling Canopy

Cover ⑨ ceiling canopy in the fixed bracket, which holes match the two holes on the side of the fixed bracket, and then tighten ④ the screws to fix the bracket and ceiling canopy.

