

Slim Range Hood

> USER MANUAL
USER and INSTALLATION INSTRUCTION

Warranty Card

Customer Info.		
Purchase Date		Invoice No.
Name & Model		
Maintenance record(written by maintenance person)		
Date	Content	signature
Please keep this card and purchasing invoice for after-sale service		



information and advice

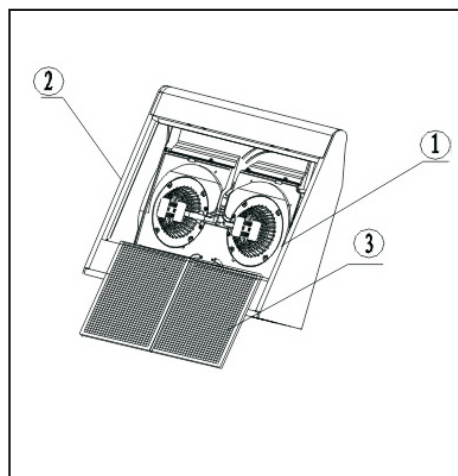
Dear customers,
 Thanks a lot for choosing our brand, please read the following instructions carefully before use.
 These instructions provide all the informations necessary for correct use to avoid damage and danger.
 If you have any questions in usage, please do not hesitate to contact us, we are ready to do our utmost to offer you satisfactory service.

- In certain circumstances electrical appliance may be a danger hazard.
- 1) There shall be adequate ventilation of the room when the range hood is used at the same time as appliances burning gas or other fuels.
 - 2) Do not check the status of the filters while the range hood is operating.
 - 3) Do not touch the light bulb within half an hour after appliance use.
 - 4) Do not flambe under the range hood
 - 5) Avoid opening gasometer when there is no pan on the stove, as it is damaging for the filters and a fire hazard.
 - 6) Constantly check food frying to avoid that the overheated oil may become a fire hazard.
 - 7) Disconnect the electrical plug prior to any maintenance.
 - 8) There is a fire risk if cleaning is not carried out in according with the instructions
 - 9) The air must not be discharged into a fuel that is used for exhausting fumes from appliances burning gas or other fuels
 - 10) Regulations concerning the discharge of air have to be fulfilled
 - 11) Warning: this appliance is not intended for use by young children and infirm persons unless they have been adequately supervised by a responsible person to ensure that they can use the appliance safely
 - 12) Warning: Young children should be supervised to ensure that they do not play with the appliance.
 - 13) Warning: If the supply cord is damaged, it must be replaced by the manufacturer, its service agent or a similarly qualified person in order to avoid a hazard.



Know your range hood

Please read these instructions before using your cooker hood



- 1. Air duct assembly
- 2. Main body
- 3. Filter assembly

Also included

- *Damperflap
- *Drill hole stencil
- *Chimney fixed bolster
- * User instructions

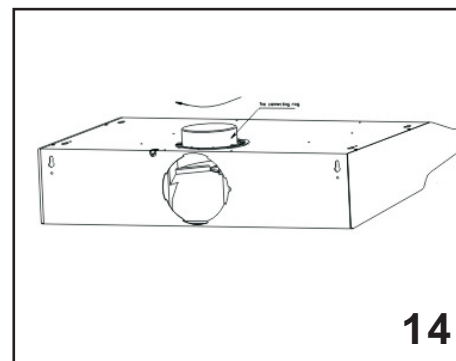


Information

Congratulations on the purchase of our Cooker hood , which is designed to include many superior features that permit you the fullest expression of your living. Before installing and/or using the cooker hood carefully read all the instructions.



Install the connecting ring



The appliance has two exhaust holes:

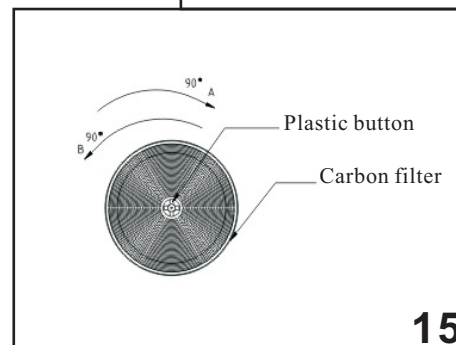
One at the front

One at the back

Chose a exhaust holes, then insert the connecting ring in the exhaust hole, revolve it some angles (about 10).

The connecting ring is installed

14



Install the carbon filter:

Push the carbon filter and then circumvolve 90° clockwise (see Fig A)

Take down the carbon filter:

Take the carbon filter and then contrarotate 90° .(see fig B)

15

The manufacturer shall decline all responsibility if the foregoing recommendations and instruction regarding installation, maintenance and use are not observed and respected when using the cooker hood



Cleaning Instructions

Disconnect range hood from power supply before cleaning or servicing.

1. Cleaning the surface of hood every week. Use mild soap or detergent to clean the hood.
2. Avoid the use of scouring powders or dishwasher compounds
3. Grease filter may be washed using mild soap or detergent when use it three months. (heavy grease build-up may not be cleaned easily and the filter may require replacement)
4. Do not use harsh alkalis or abrasives
5. Charcoal filters cannot be cleaned and must be replaced when use it six months.

i

Information

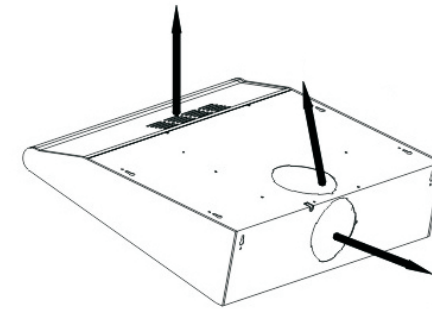
When cleaning water must not enter into the motor, control switch etc. electrical parts.



Selection of Venting Direction

Fully convertible for vertical horizontal or ductless operation

Ductless



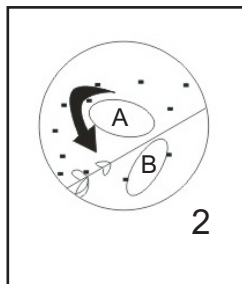
horizontal discharge

1

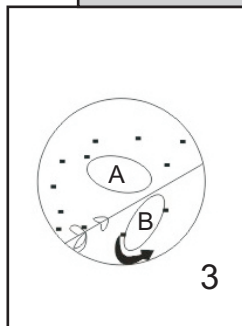
i

Information

The air must not be discharged into a flue that is used for exhausting fumes from appliances burning gas or other fuels. Regulations concerning the discharge of air have to be fulfilled.

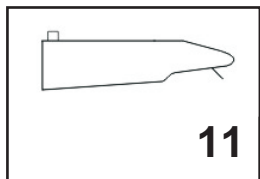


Vertical discharge
 Vertical is the most common. If you select vertical discharge, you need firstly to lock the plastic cover "A" by hand and then contrarotate the cover to take it down (see pic2). You must make sure that the ducting knockout B is not removed.

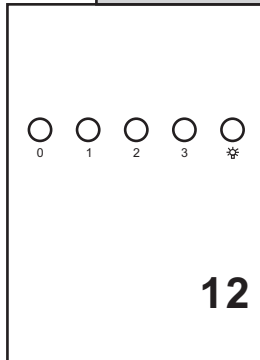


Horizontal discharge
 Assuming that the range hood is located against an outside wall, horizontal discharge is preferred provided that there are no obstructions such as, wall joists, or where openings are difficult to make. If you select horizontal discharge, you need firstly to lock the plastic cover "B" by hand and then contrarotate the cover to take it down (see pic.3). You must make sure that A is not removed.

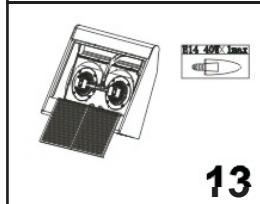
i
Information
 Sufficient air is needed for proper combustion and exhausting of gases through the flue (chimney) or fuel burning equipment to prevent back drafting.



1. Adjust the knob to the right position
 2. Insert the power plug firmly.

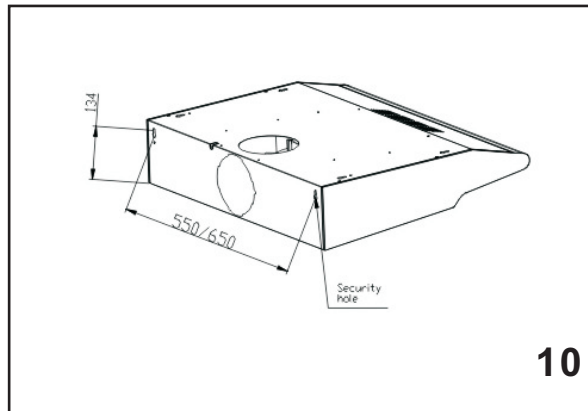


Press the switch of light to be on, the bulbs light on. Otherwise the bulbs don't work. When press the push button "1" : on, the motor runs at low speed. When press the push button "2" on, the motor runs at middle speed. When press the push button "3" on, the motor runs at high speed. When press the push button "0" on, the motor stops running.



Replacing Bulb: Removing the bulb that need to be replaced, then reinstall the new bulb. The power of bulb must not be more than 25W.

i
Information
 Clean
 Ventilating
 Fans
 Frequently
 Grease
 Should not be allowed to accumulate on fan or filter.



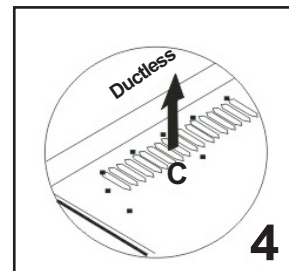
10

If the installation surface in cabinet don't adapt to install the cooker hood, then as per FIG.5, fix the position of cooker hood on the wall. On the wall, install 2 screws (supplied) according to the relative position of 2 key holes on the back of hood. The extent of screwing should be convenience to the next installation. Also install screws in the security holes, in case of front and back moving of hood, so that the using is safer.

i

Information

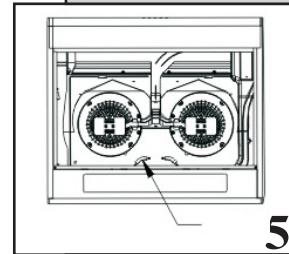
The cooker hood must be installed and connected to flues where other appliances are installed and which run off other energy supplied different to electricity (water heaters boiler cookers (range/agas) etc.).



4

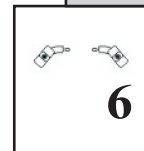
Ductless

In a ductless installation the air is re-circulated back into the kitchen. If you do not anticipate heavy cooking this method will be preferred. It will not be necessary to remove any duct knockouts, you only need chose knockout C. You should use filters to help remove cooking odors. These filter must be washed and replaced at regular intervals.

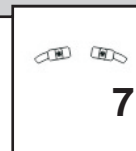


5

After selecting venting direction and completing installation, you can turn the knob to achieve ductless or duct, Open the filter, then you can see the knob.



6



7

The knob arrowhead as per FIG.7, then it is duct. The knob arrowhead as per FIG.6, then it is ductless.

i

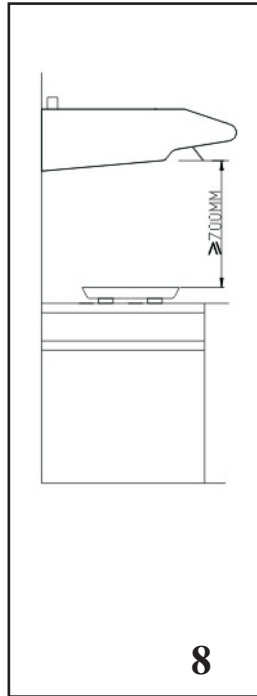
Information

Ductless fans must always be vented to the outdoors.



Installation

Ensure the power has been turned off before beginning this installation



8

To install this hood you will require two assistants.

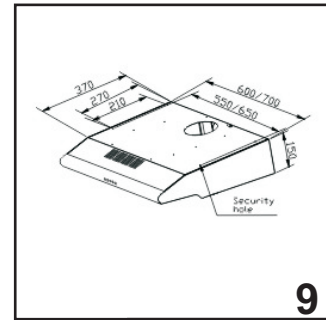
You will need the following tools and material to complete this installation:
 *Drill*Flat head screwdriver*Phillips head screwdriver or cordless drill and Phillips head bit*Tin snips*3/8 nut driver or ratchet with extension*measuring tape*hand saw or jig saw*electrical tape*duct tape.

1. Remove the range hood from the carton.
2. Lay the hood upside down on a table covered with cardboard or paper to prevent scratching of the table or hood
3. Hood installation should be within 0.8m radius range
4. We recommend that after installation the bottom of the hood should be no less than 700mm and no more than 750mm above the stove's heating elements and burners.

i

Information

Installation work and electrical wiring must be done by qualified person(s) in accordance with all applicable codes and standards, including fire-rated construction



9

2. Hang the hood and let its 4 key holes aim at screws, the 4 screws should be in the narrow parts of key holes. Screws should be fasten firmly, make sure that the installation between the hood and cabinet is enough fasten.

1. According to the figure, make sure the position of hood in the cabinet. The wood strips should be line up with the 4 keyholes slots on the top of the range hood. On the cabinet, install 4 screws (supplied) according to the relative position of 4 key holes on the bottom of hood. The extent of screwing should be convenience to the next installation.

3. Install screws in the security holes, in case of front and back moving of hood, so that the using is safer

i

Information

When cutting or drilling into wall or ceiling do not damage electrical wiring or other hidden utilities.