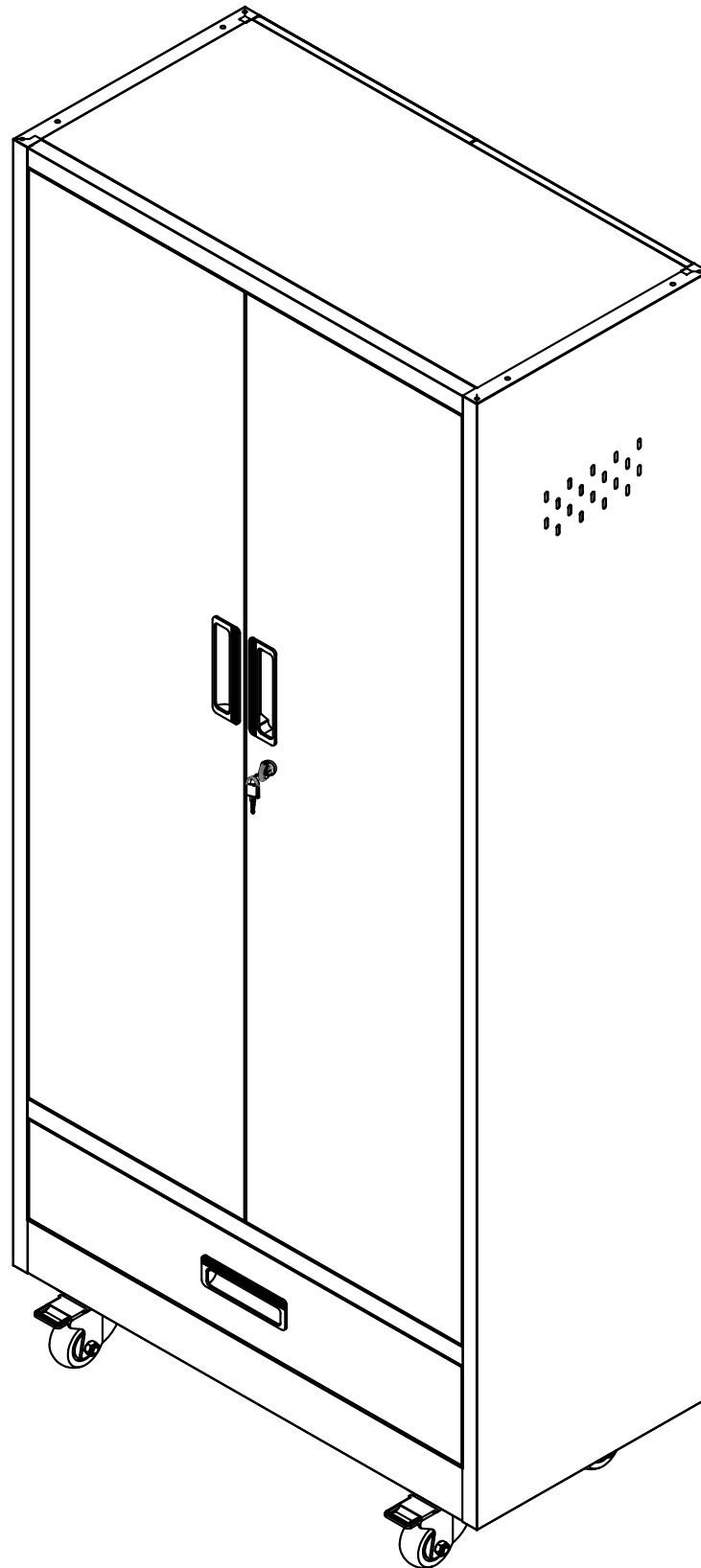
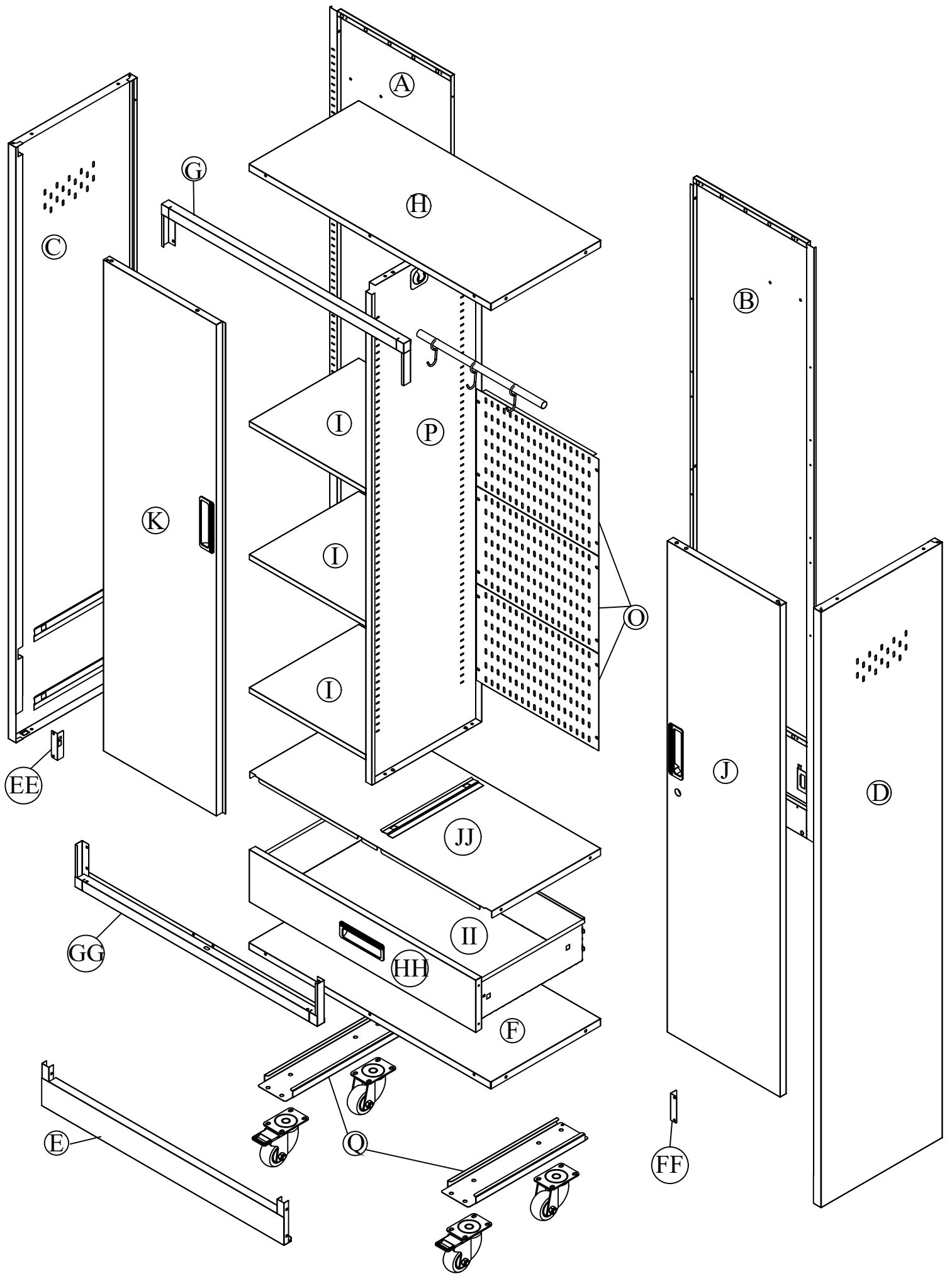
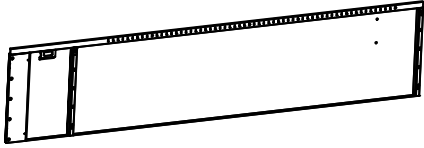
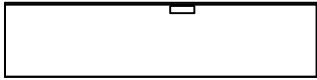
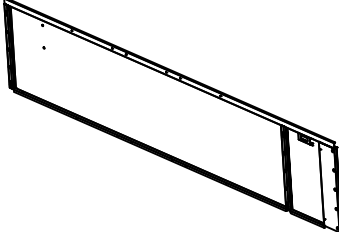
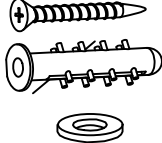
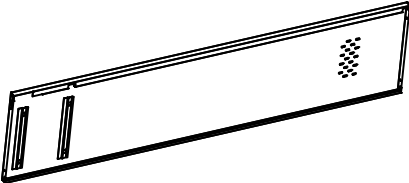

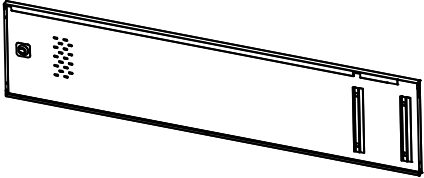
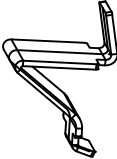
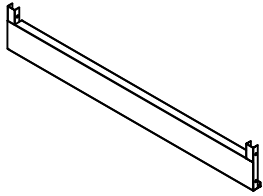
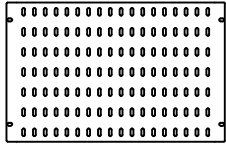
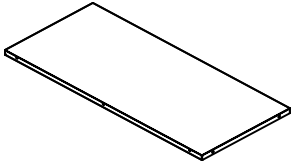

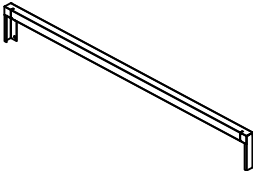
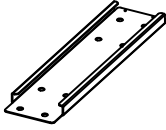
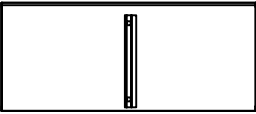

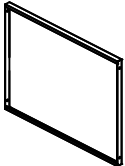

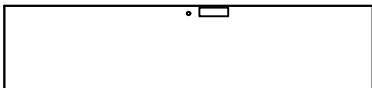



Assembly Instructions



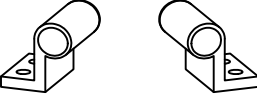
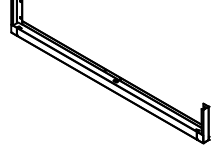

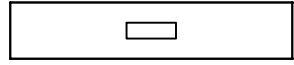

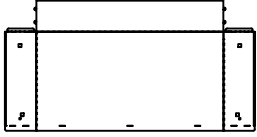
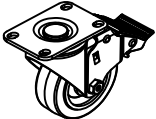
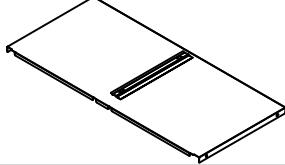
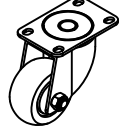
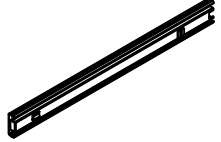
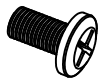
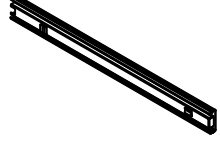


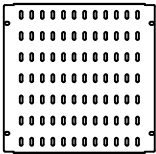








Accessories

Name		Picture	QTY	Name		Picture	QTY
A	Left Back Panel		1	K	Left Door		1
B	Right Back Panel		1	L	Expansion Screw		2
C	Left Side Panel		1	M	13/32 " Screw		63
D	Right Side Panel		1	N	Shelf Clasp		12
E	Kick Plate		1	O	Pegboard		3
F	Bottom Panel		1	P	Middle Plate		1
G	Top Rail		1	Q	Base		2
H	Top Panel		1	R	Door Pivot Pin		2
I	Shelf		3	S	Shim		4
J	Right Door		1	T	Magnet		4

Accessories

Name		Picture	QTY	Name		Picture	QTY
U	Towel Rail		2	FF	Right Rail Bracket		1
V	Pedestal		2	GG	Wasiat Frame		1
W	M3 * 8 Screw		8	HH	Drawer Front Panel		1
X	Hanging Rod		1	II	Drawer Bucket		1
Y-1	Front Wheel		2	JJ	Waist Panel		1
Y-2	Rear Wheel		2	KK-1	Left Slide Rail		1
Z	M6 * 12 Screw		16	KK-2	Right Slide Rail		1
AA	Hook		10				
BB	Peg		3				
CC	Pegboard		2				
EE	Left Rail Bracket		1				

Lock		Already pre-installed on the right door J
Key		Already attached on right door J
Spring Shaft		Already pre-installed on the doors

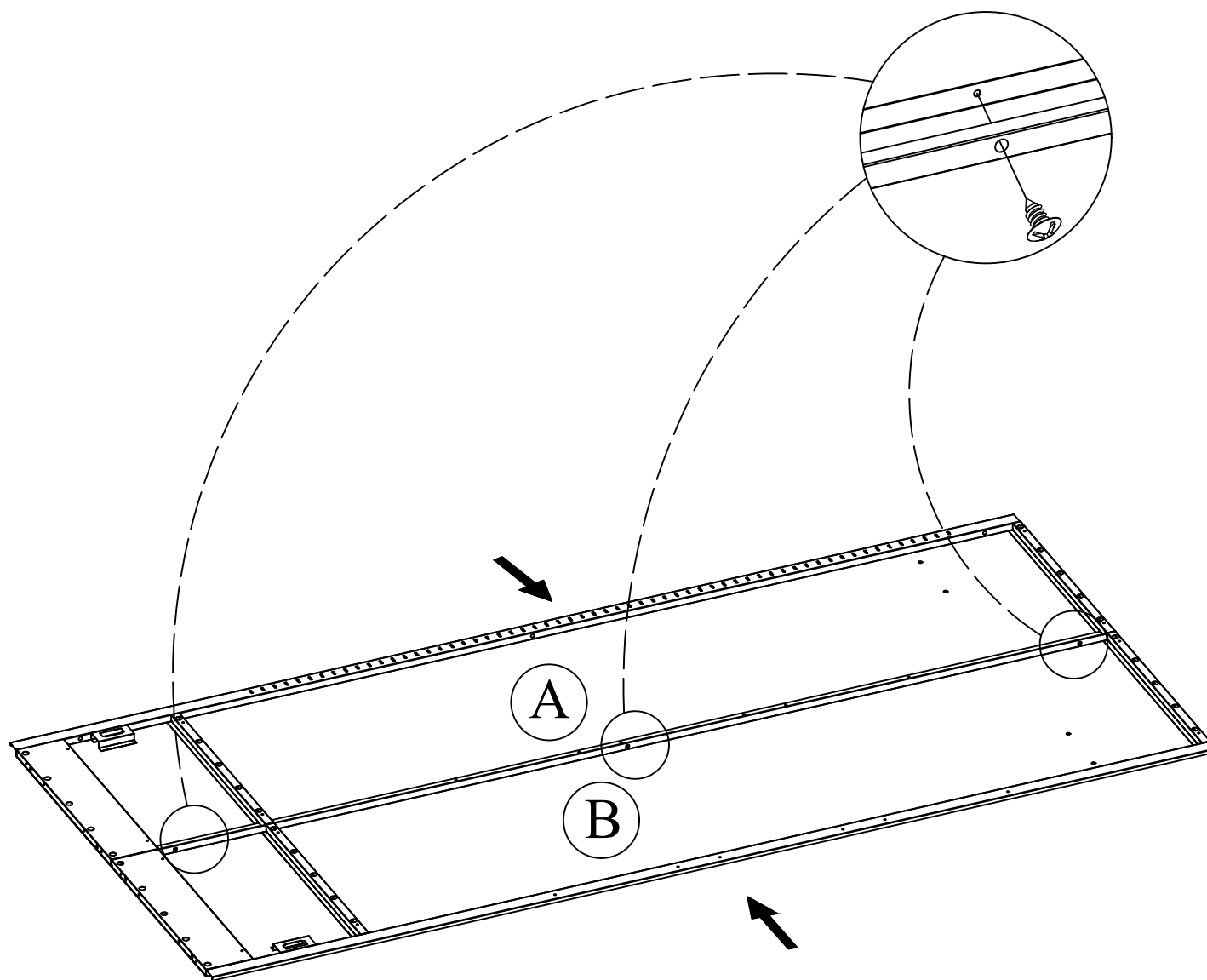
 CAUTION
An assistant is required

CUSTOMER FIRST, SERVICE FOREMOST!
Questions? Issues?
CONTACT US
REPLY WITHIN 24 HOURS IN BUSINESS DAYS

Step 1

Ⓜ  × 3

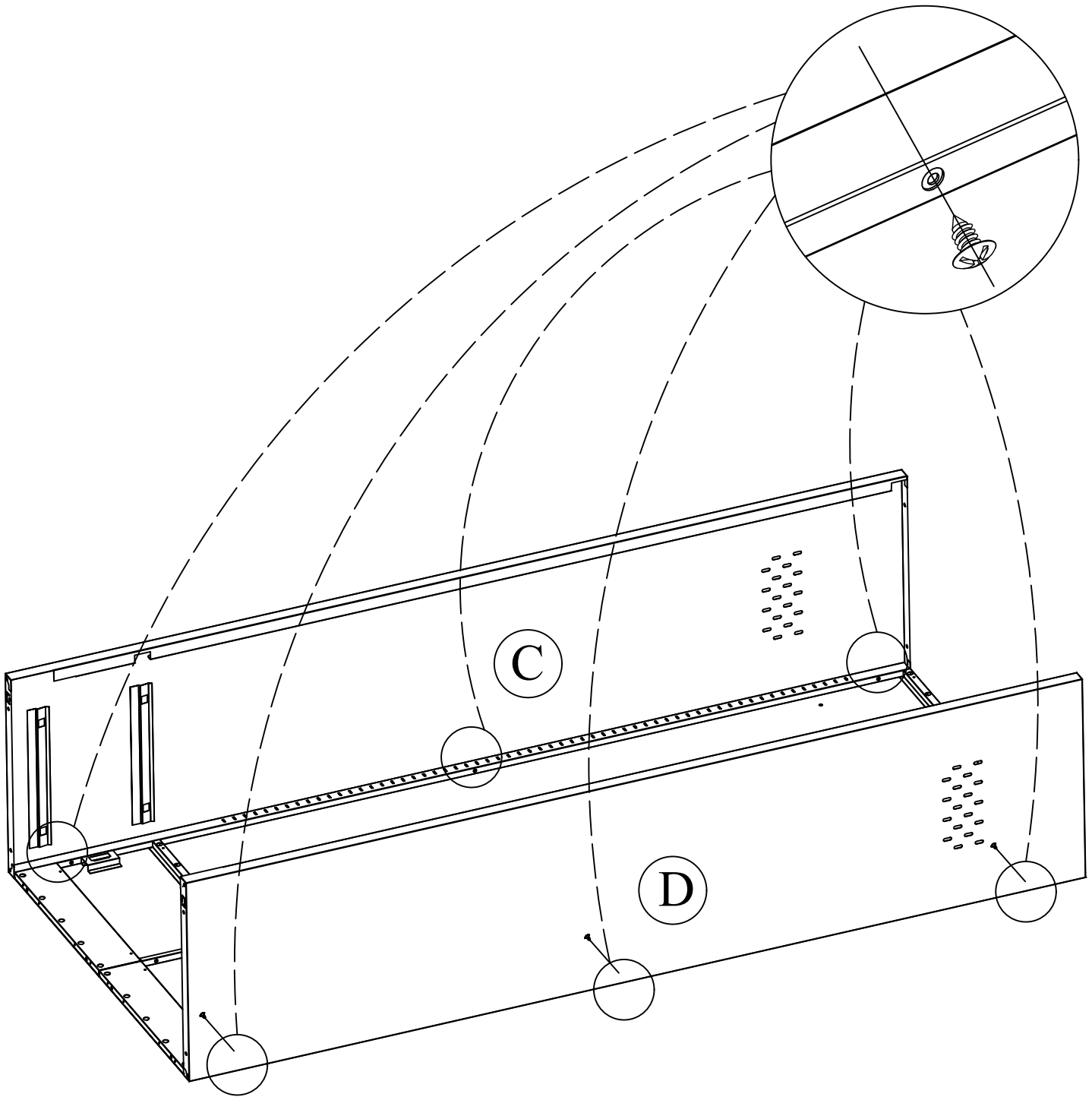
Connect left back panel A and right back panel B with 3 screws M



Step 2

(M)  × 6

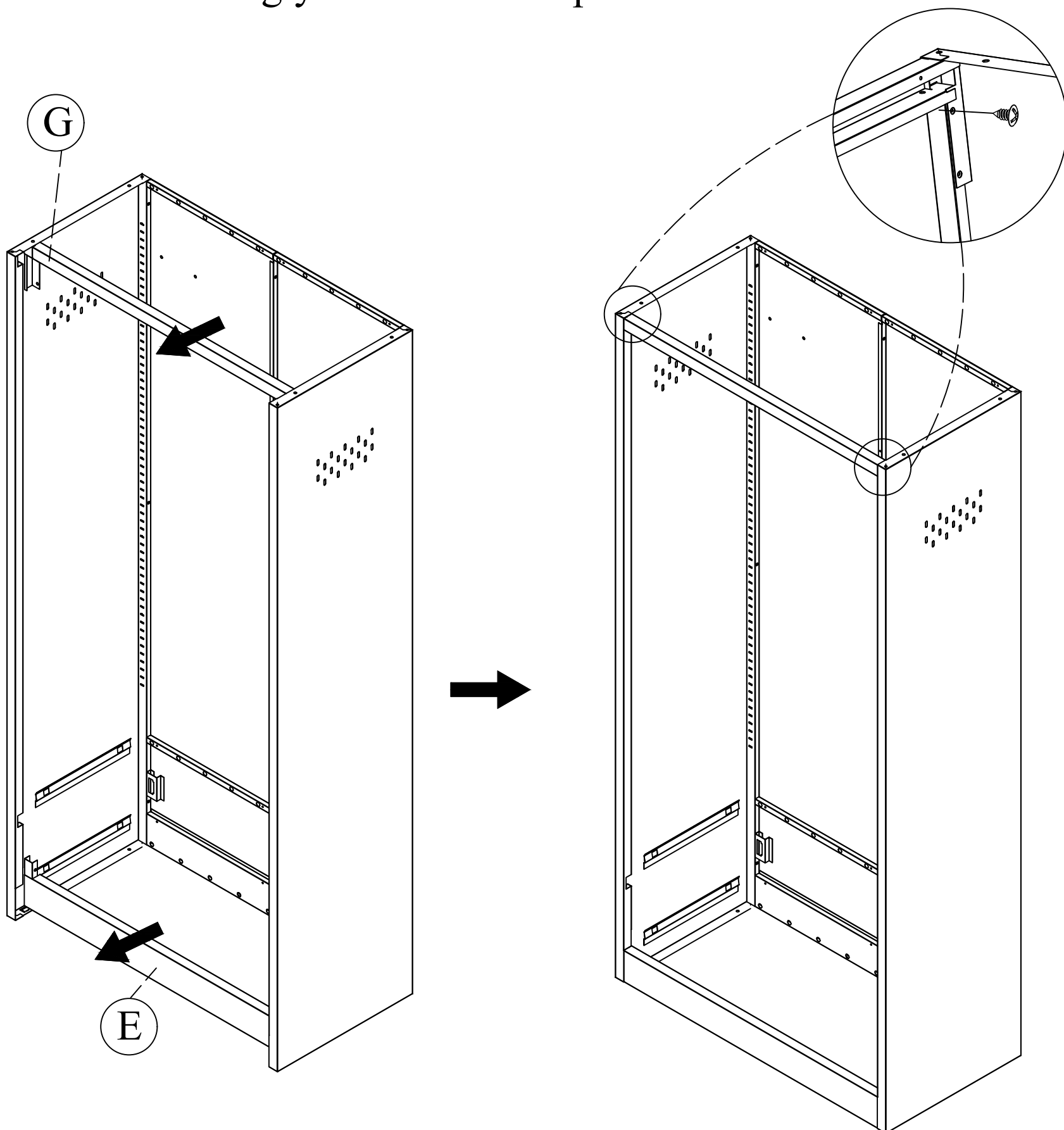
Connect left side panel C and right side panel D
with back panels by 6 screws M



Step 3

(M)  × 4

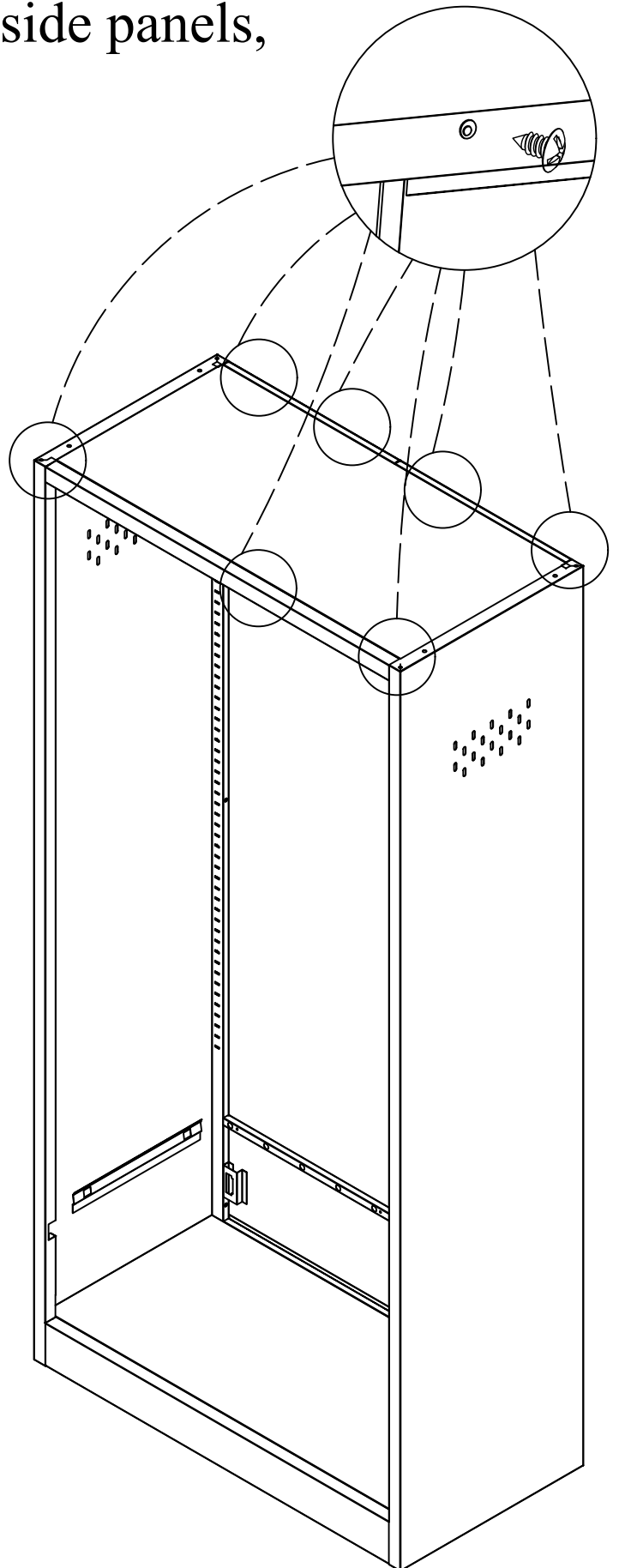
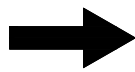
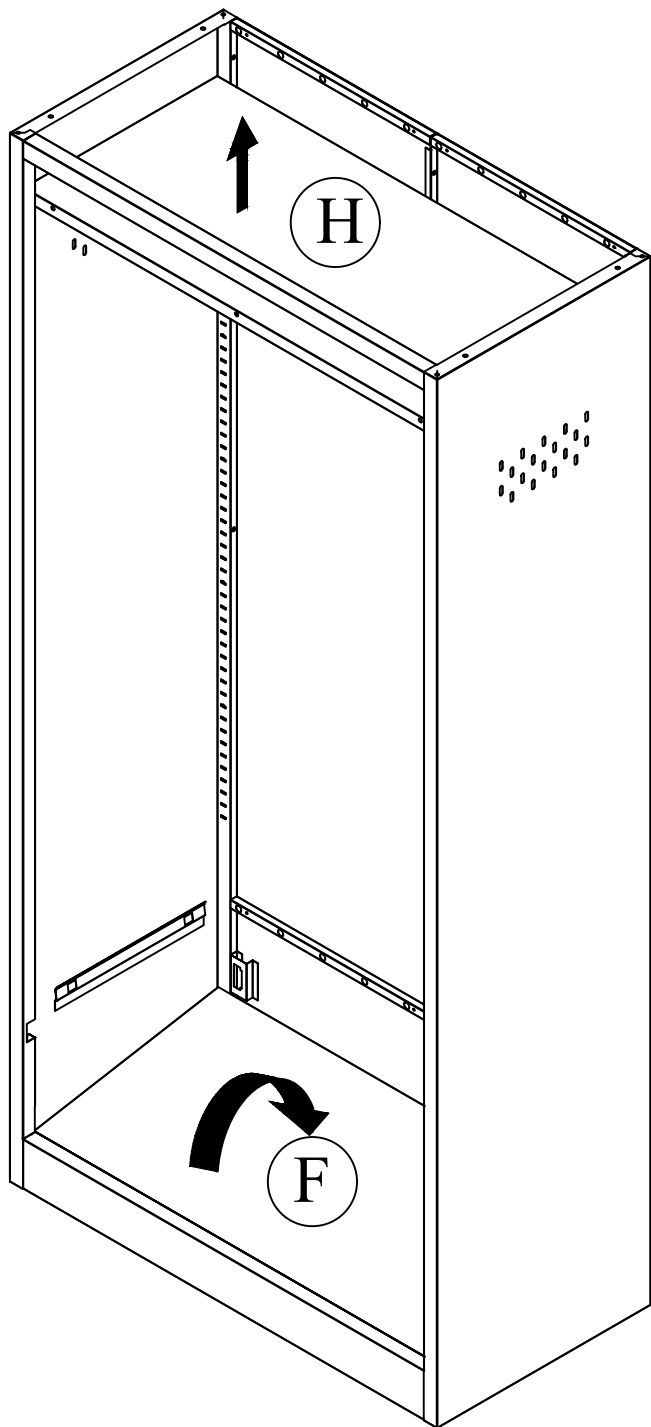
Insert the top rail G into the cabinet and push it forward (Ensure that the side panels are included into the slots of top rail), then fix them with 4 screws M
Insert kick plate E into the cabinet and push it forward to snugly fit it with side panels



Step 4

(M)  × 7

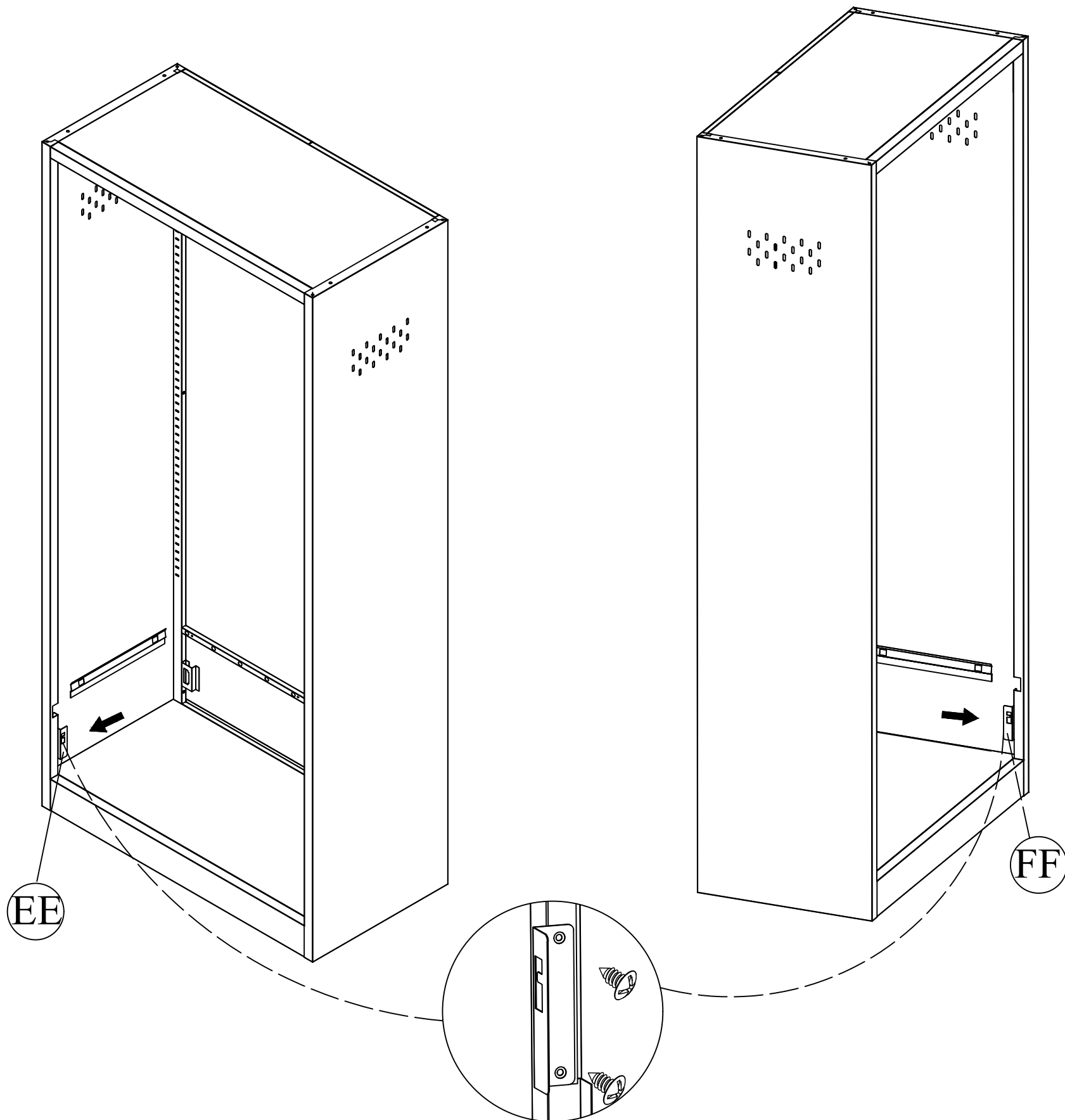
Tilt the front of bottom panel F into the cabinet,
then press the back of bottom panel down
Insert the top panel H into the cabinet and
push it upward to snugly fit it with side panels,
then fix them with 7 screws M



Step 5

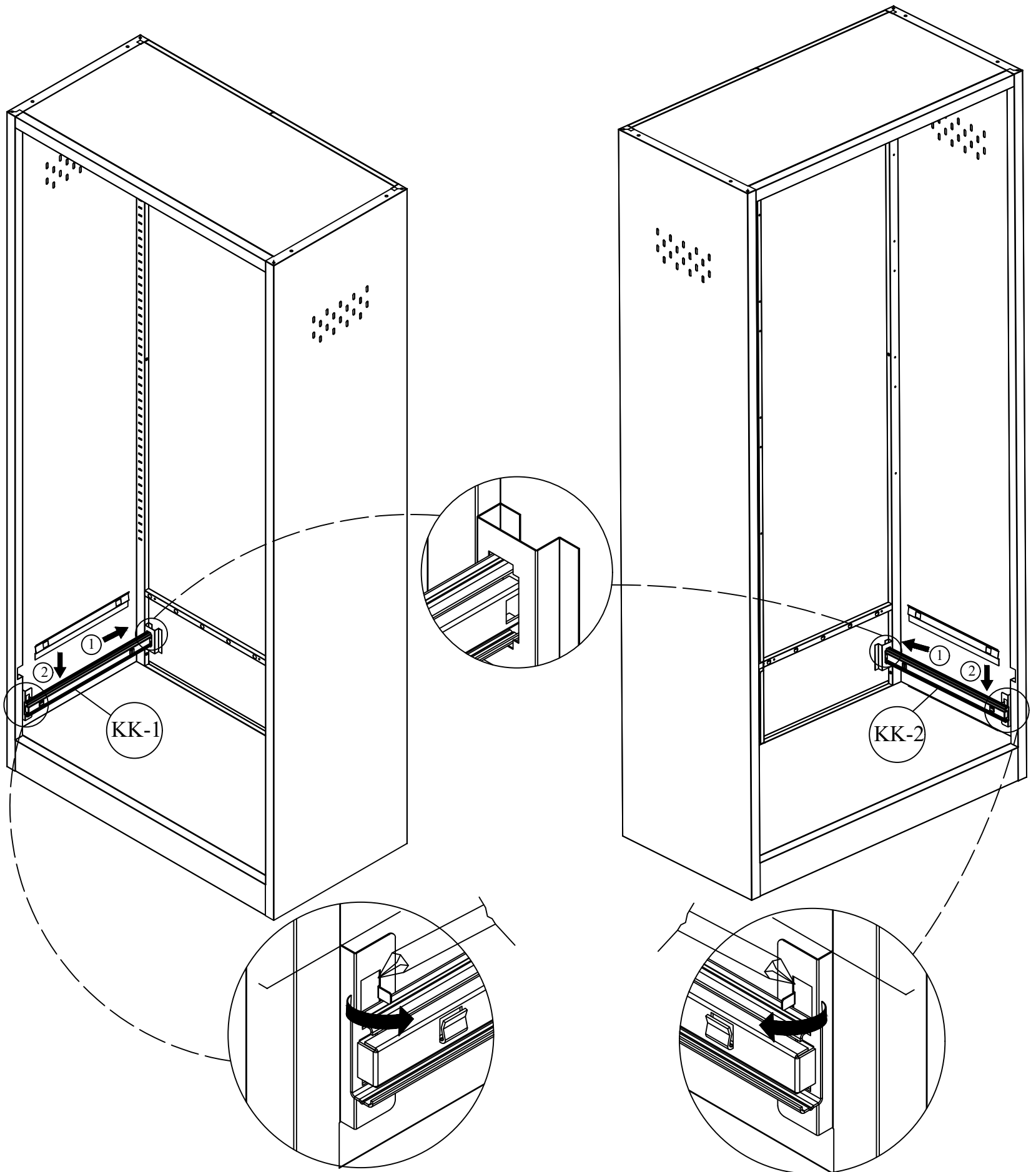
(M)  × 4

Install the rail brackets EE and FF on the side panels with 4 screws M



Step 6

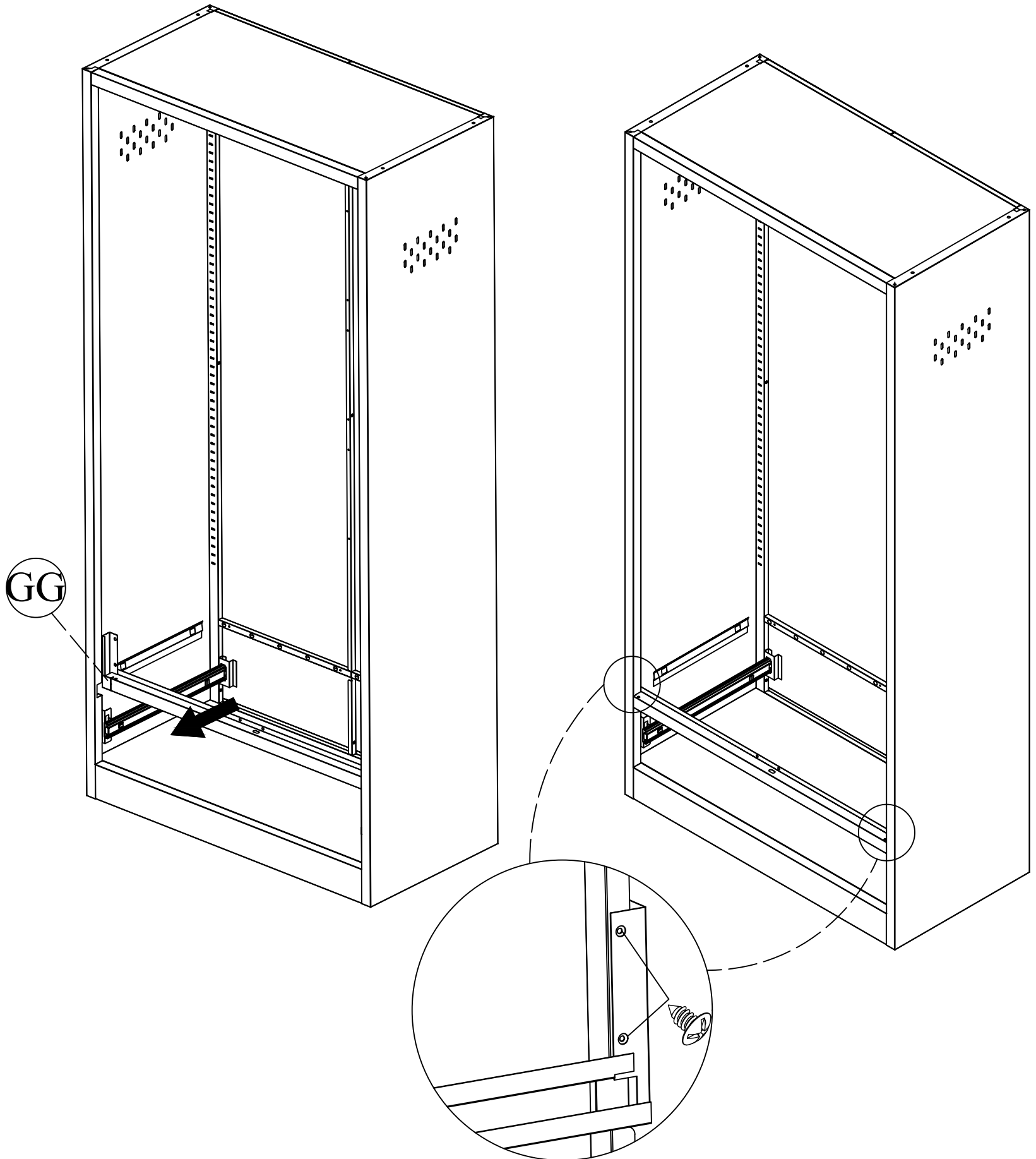
Insert the back of slide rails KK-1 and KK-2 into the slots of back panels first, press and insert the front of the slide rails into the rail brackets, then fold the small pieces to fix them



Step 7

Ⓜ  × 4

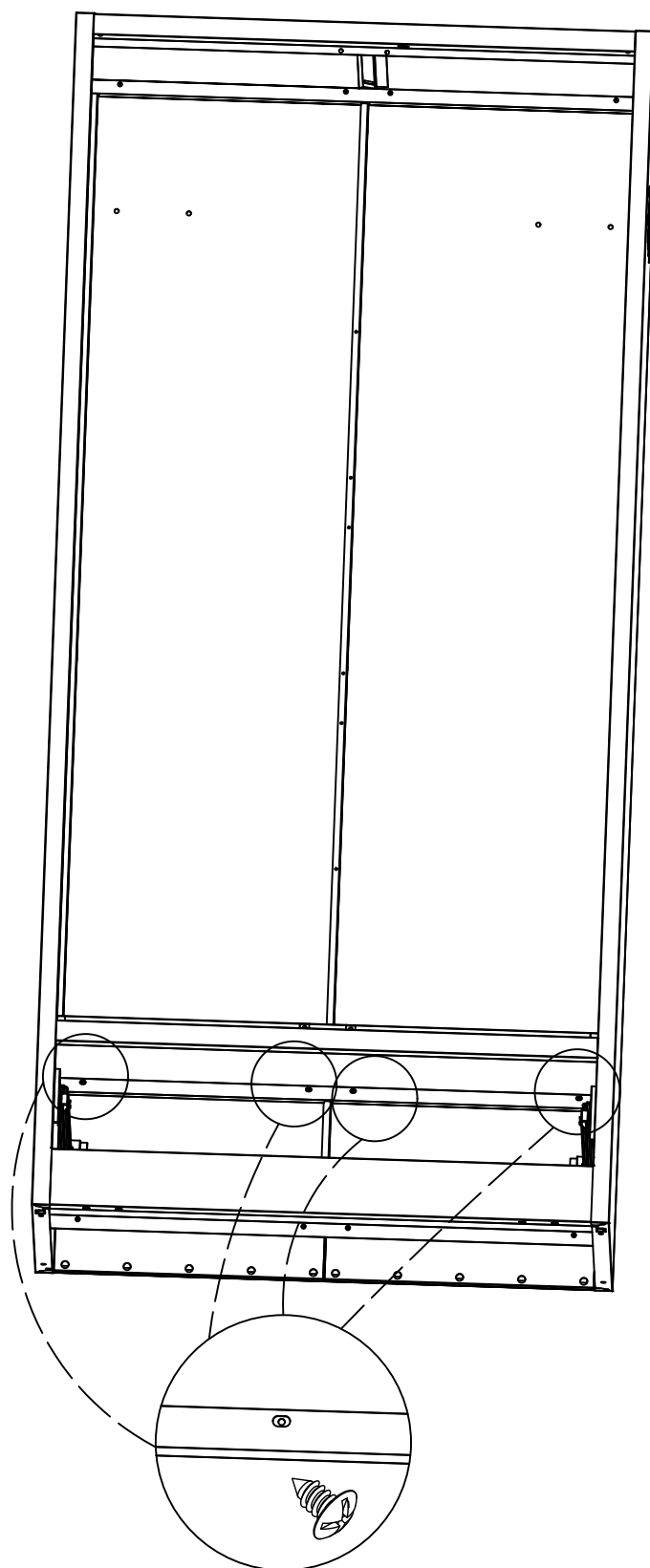
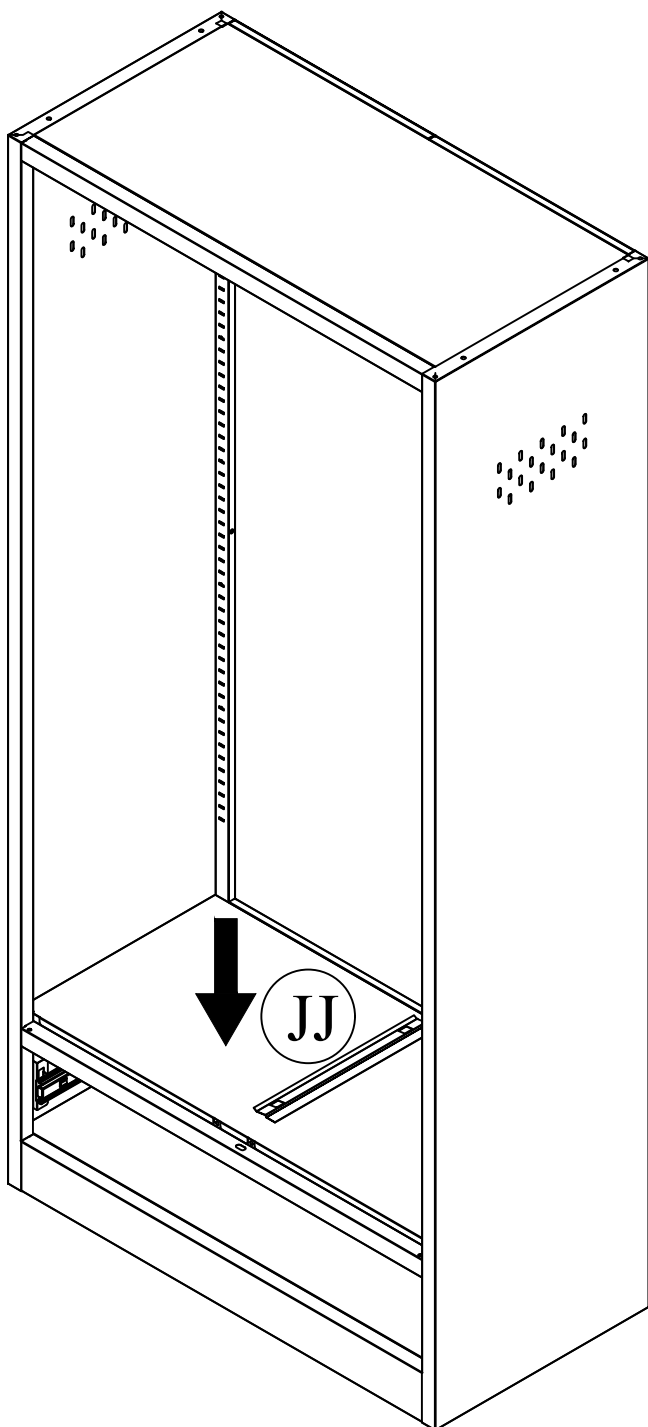
Connect waist frame GG and side panels with
4 screws M



Step 8

Ⓜ  × 4

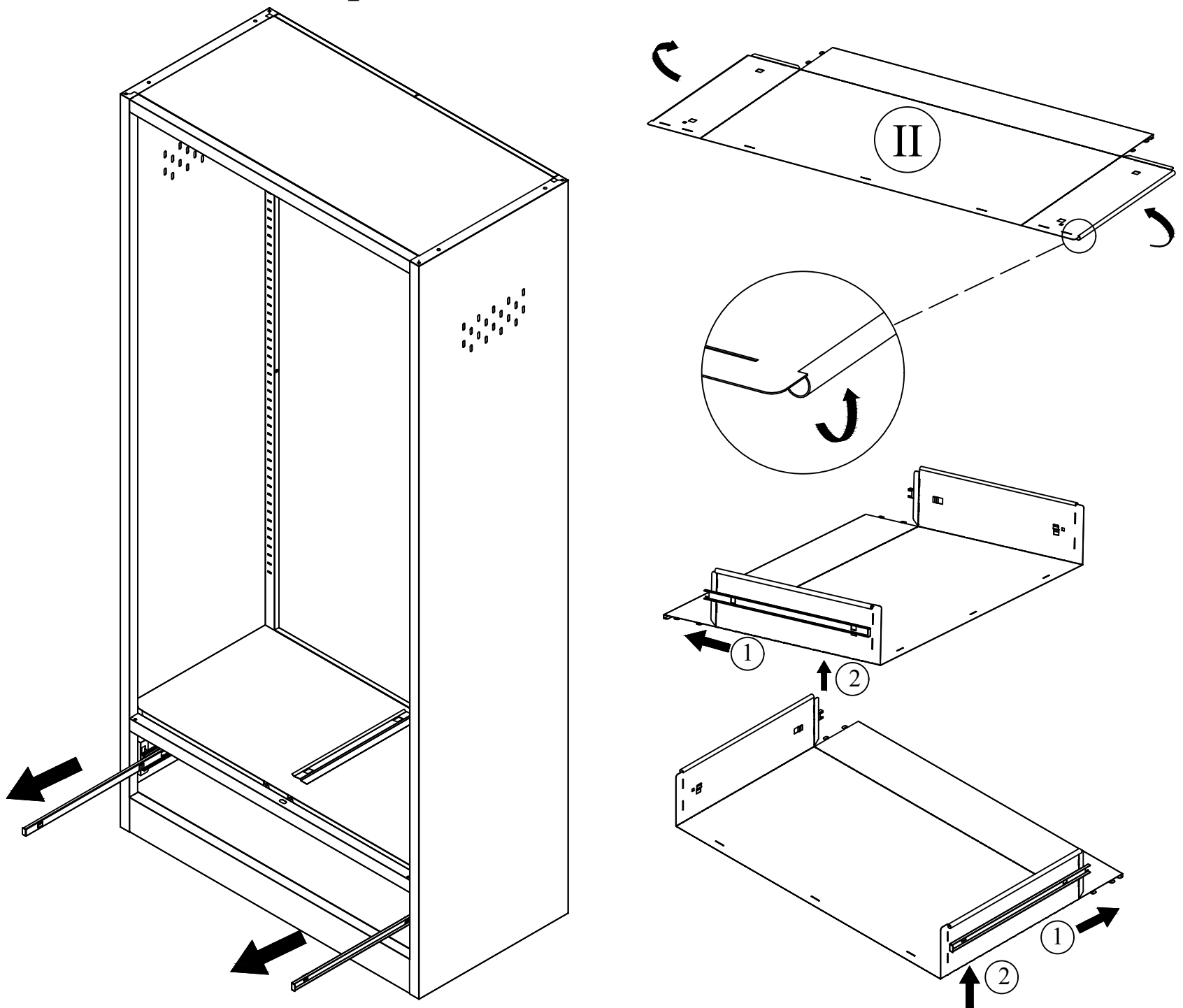
Install waist panel JJ and fix it on the back panels with 4 screws M



Step 9

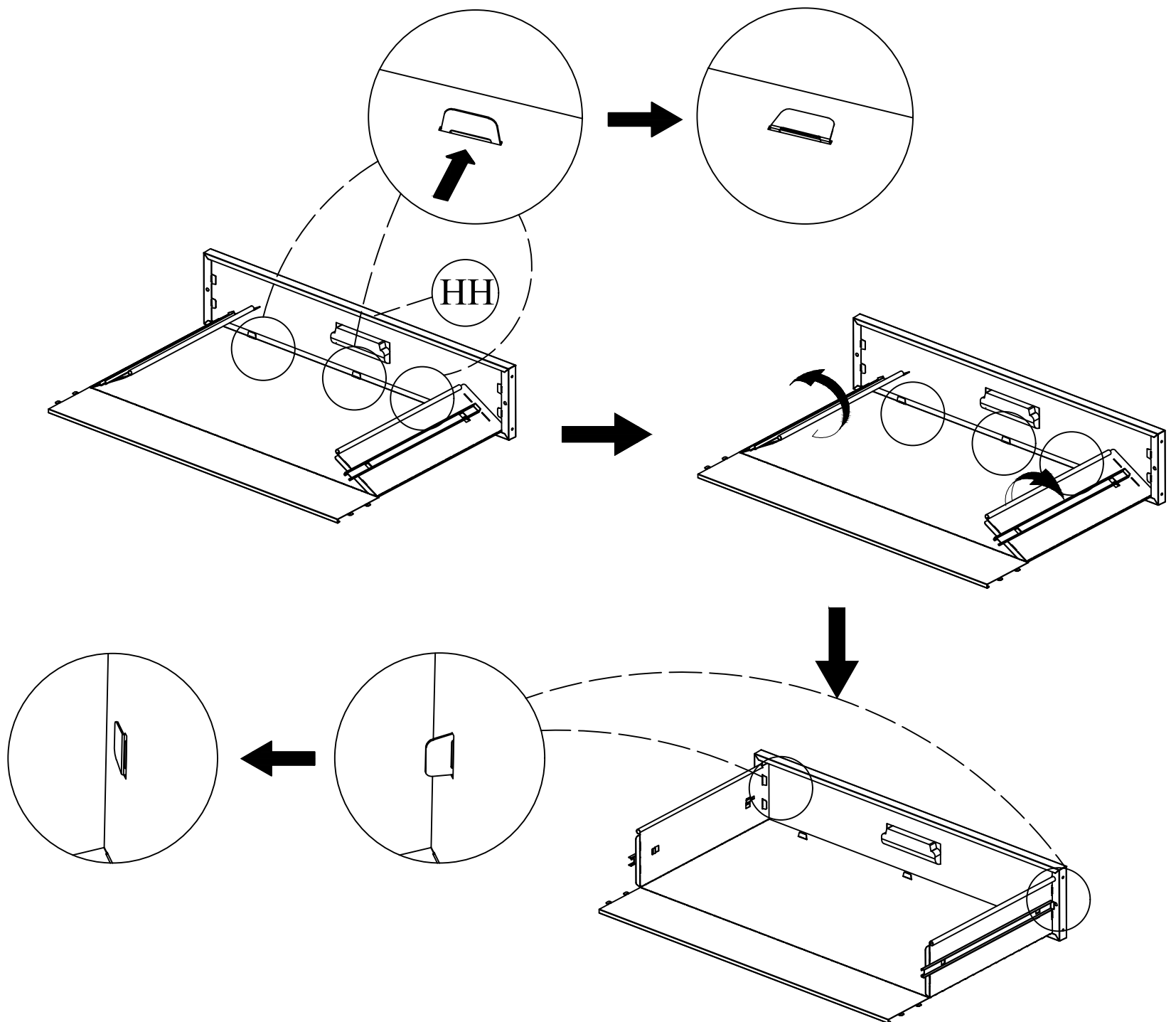
Completely pull out the inner rails from the slide rails on both sides and install them on the drawer
When installing the inner rails:

1. Fold the side panels of drawer bucket II inward (Pay attention to the direction)
2. Align the back hooks of the inner rails with the holes on the drawer side panels
3. Push and insert the hooks into the back holes, then lift the inner rails up and insert them into the front holes



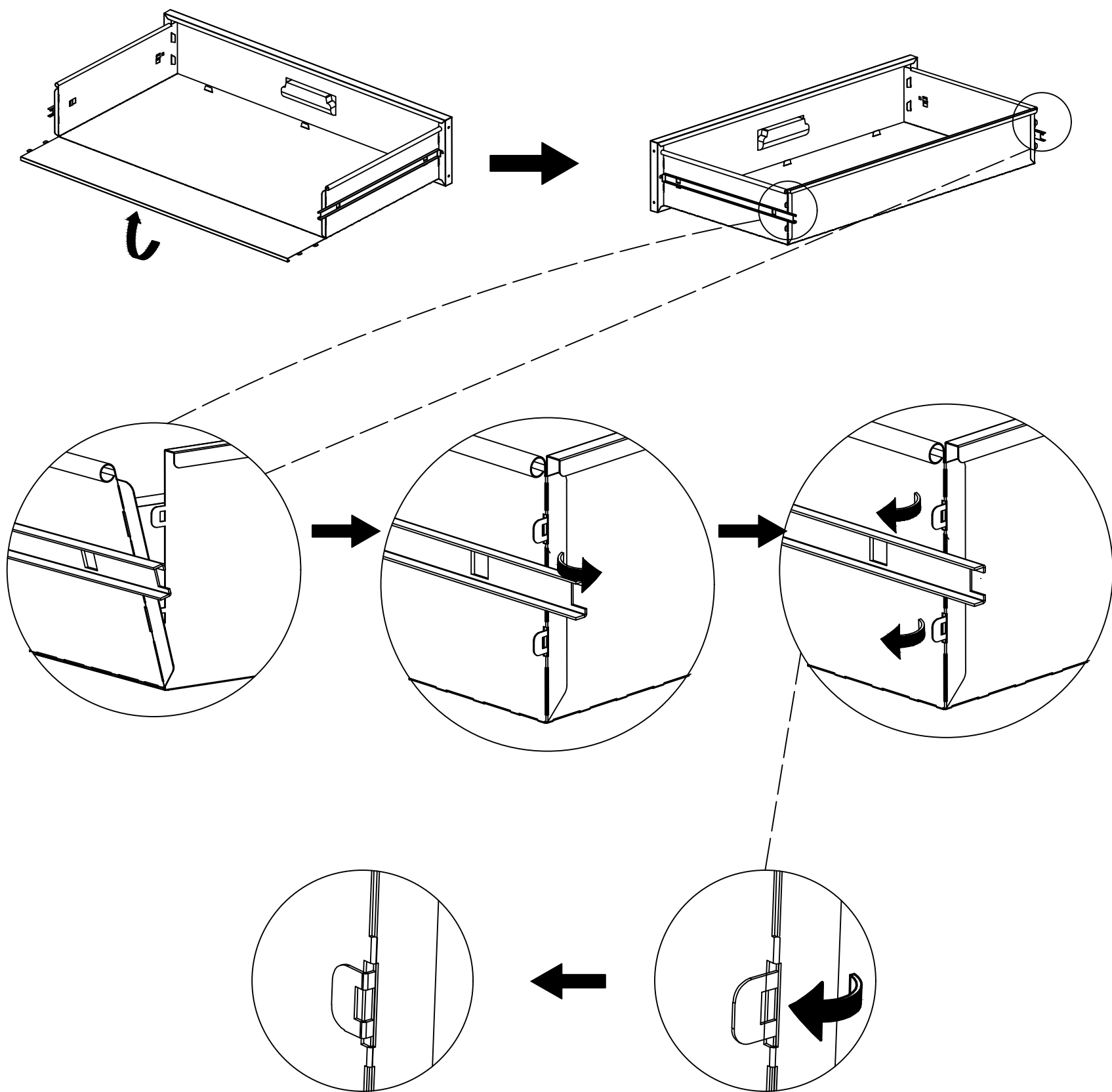
Step 10

Fold the side panels of drawer bucket II inward more than 90° to insert the small pieces of the drawer front panel HH into the holes of the drawer bucket, then fold the small pieces to fix them



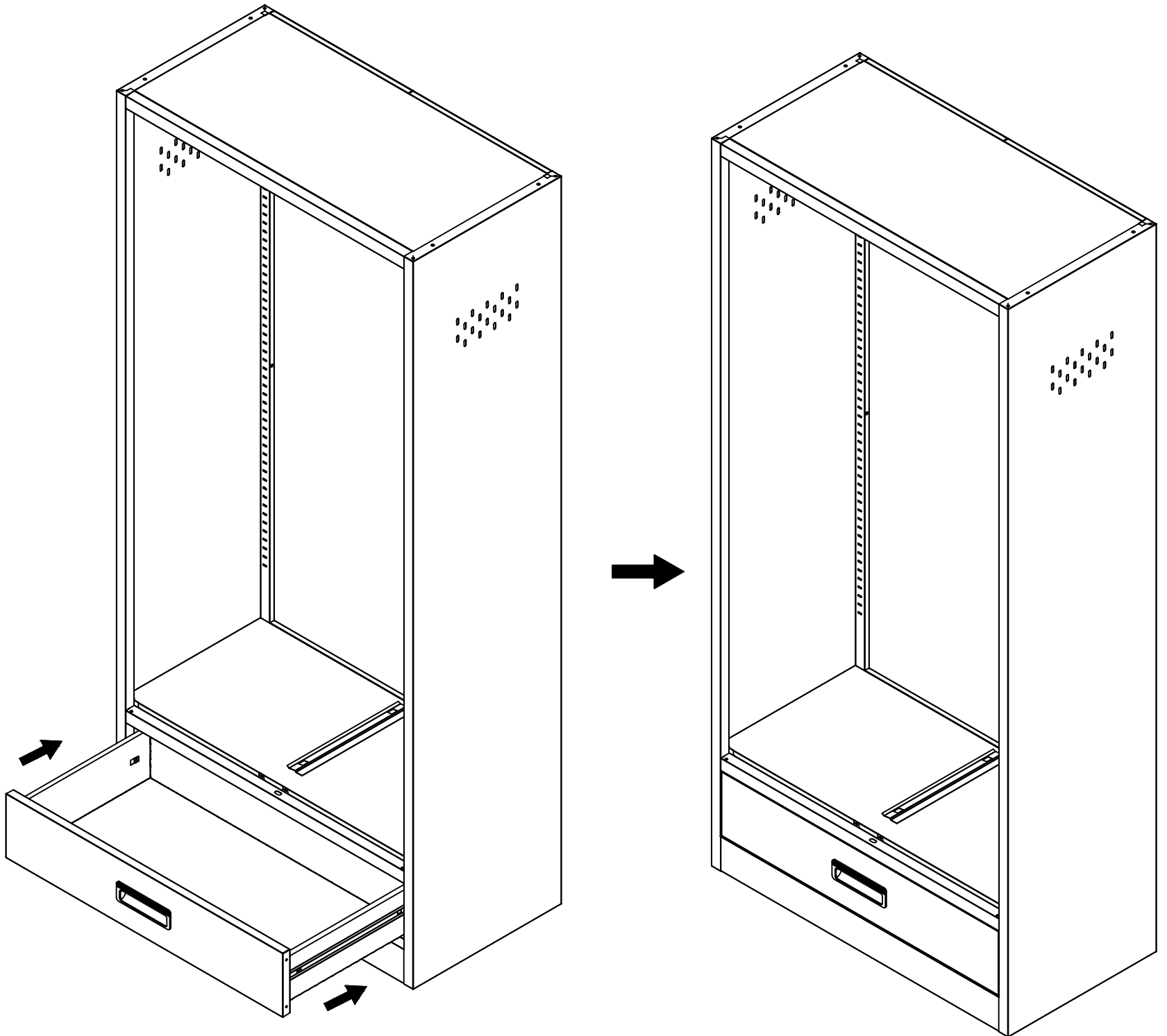
Step 11

Fold the back panel of drawer bucket, then insert the small pieces into the holes on both sides and fold the small pieces to fix them



Step 12

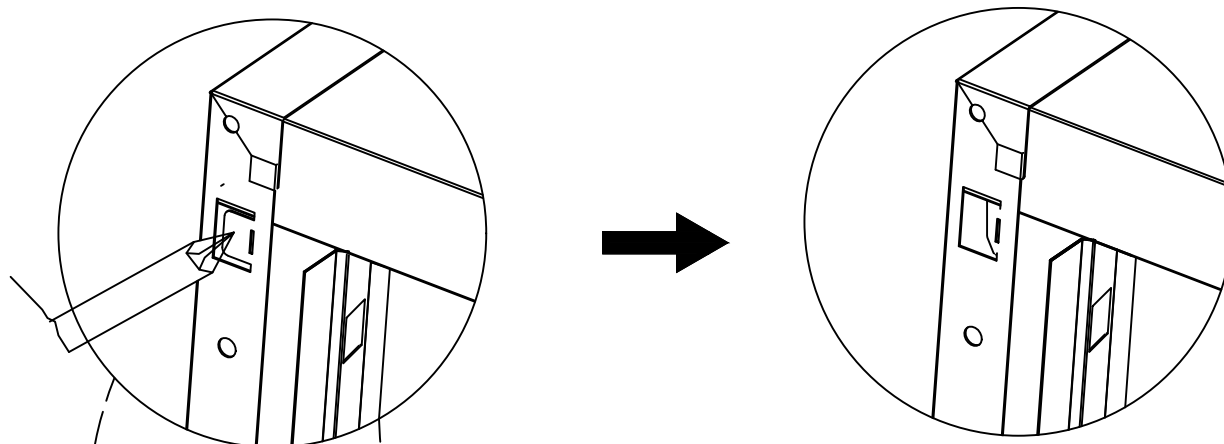
Insert the inner rails into the outer rails and install the drawer on the cabinet



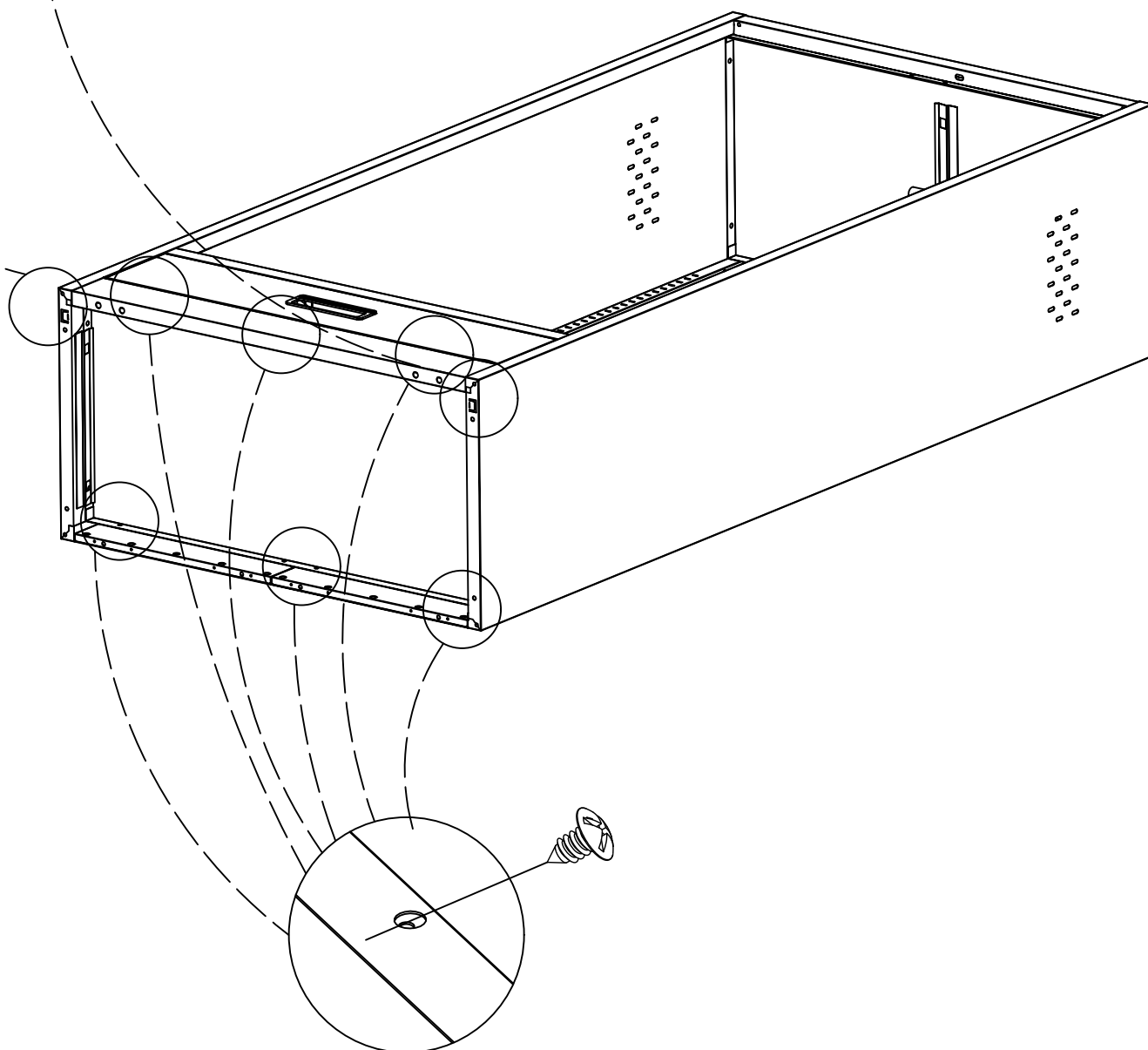
Step 13

Put the cabinet down and fix the bottom panel with other parts by 7 screws M

Ⓜ  × 7



Push the small pieces upward




Step 14

Fix 2 bases Q at the bottom of cabinet with 4 screws M

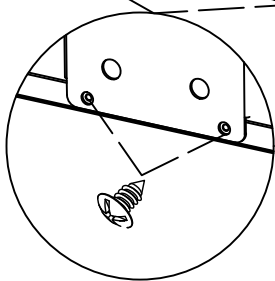
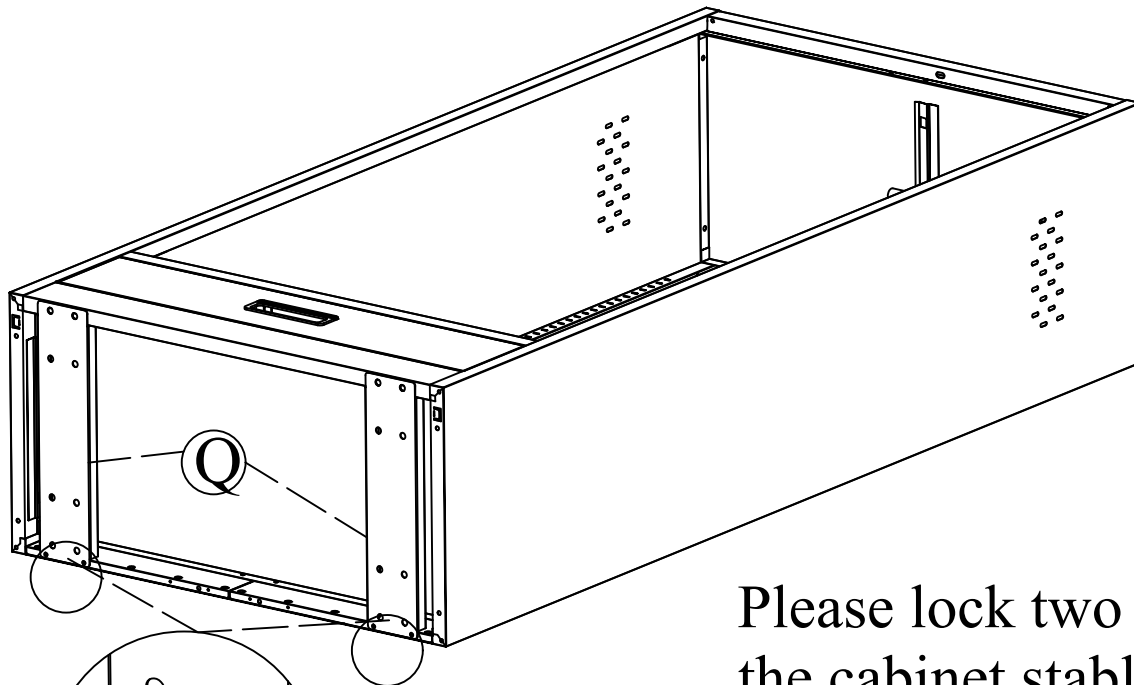
Install 2 wheels Y-1 and 2 wheels Y-2 and fix them with 16 screws Z

(M)  × 4

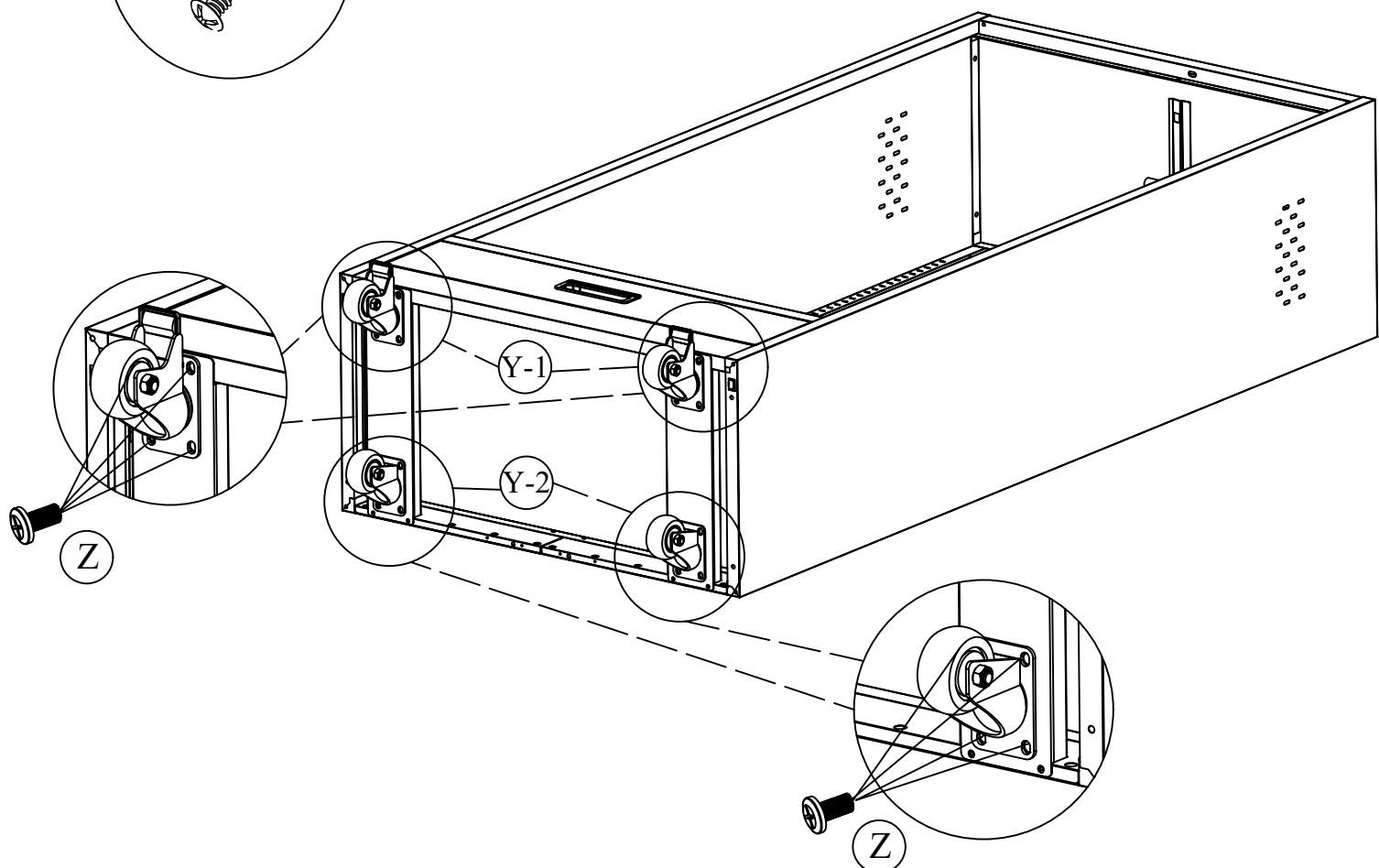
(Y-1)  × 2

(Y-2)  × 2

(Z)  × 16

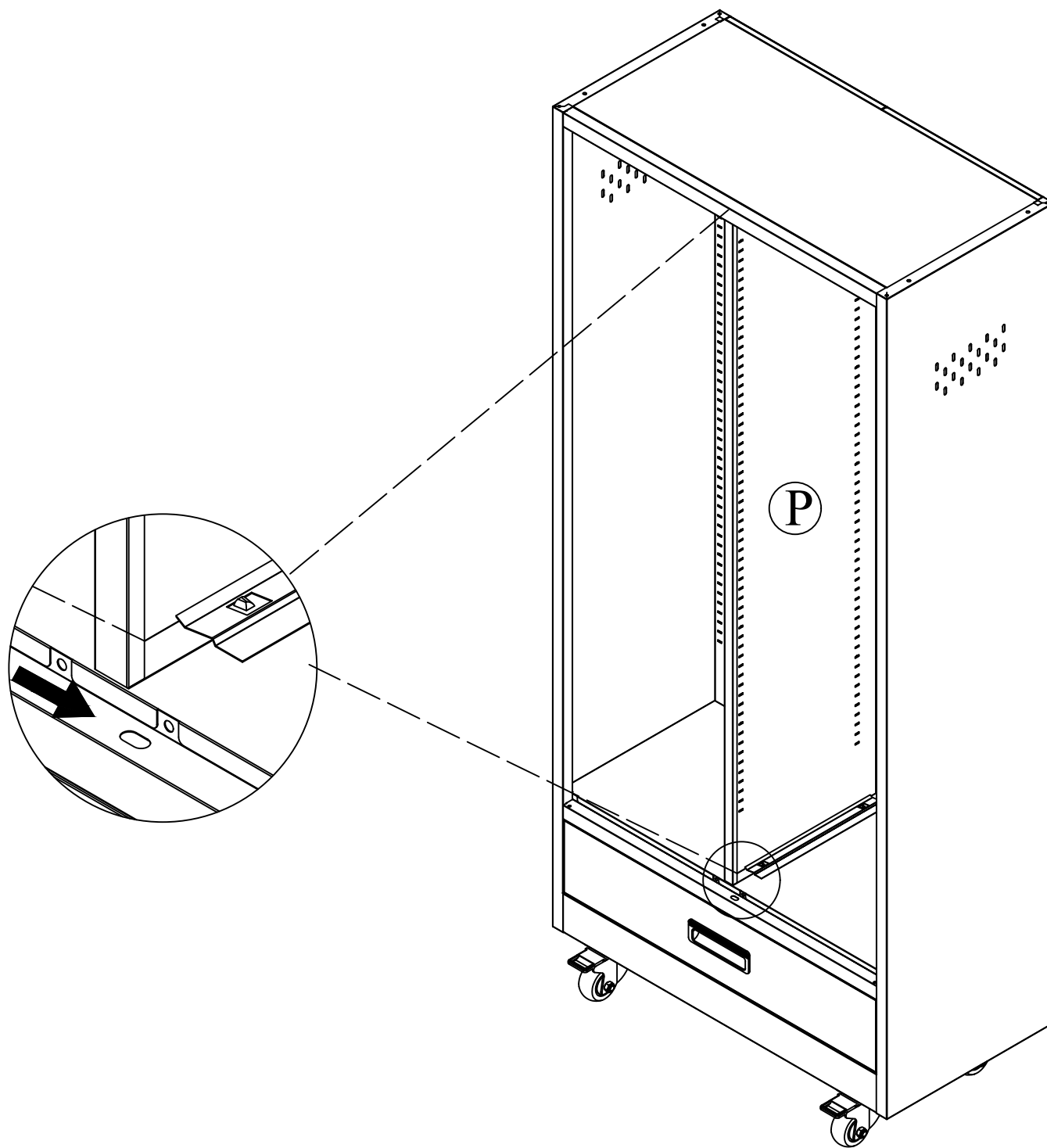


Please lock two wheels to keep the cabinet stable before the next step.



Step 15

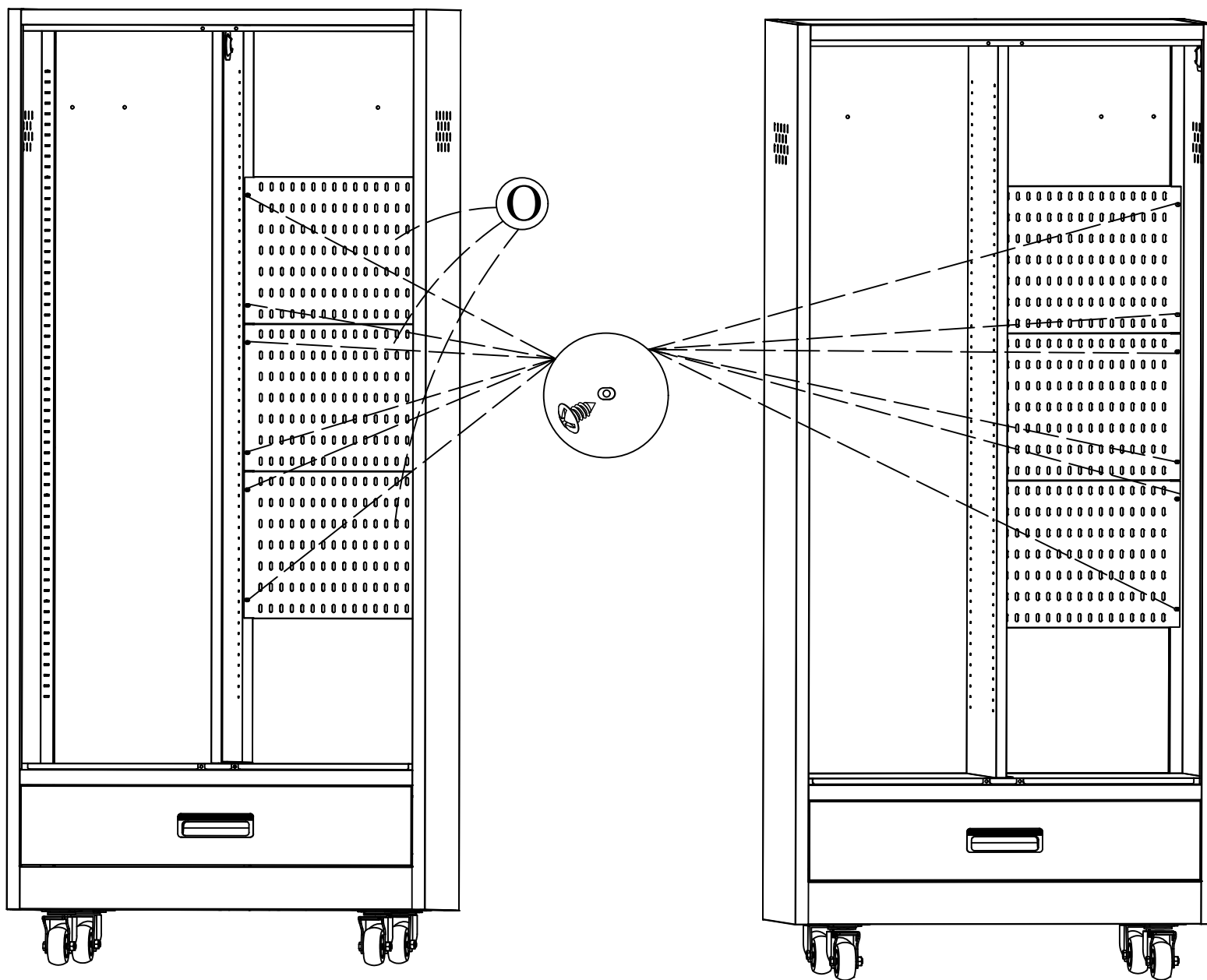
Tilt the middle plate into the cabinet and push it into the brackets of the top and waist panels



Step 16


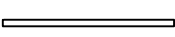

(M)  × 12

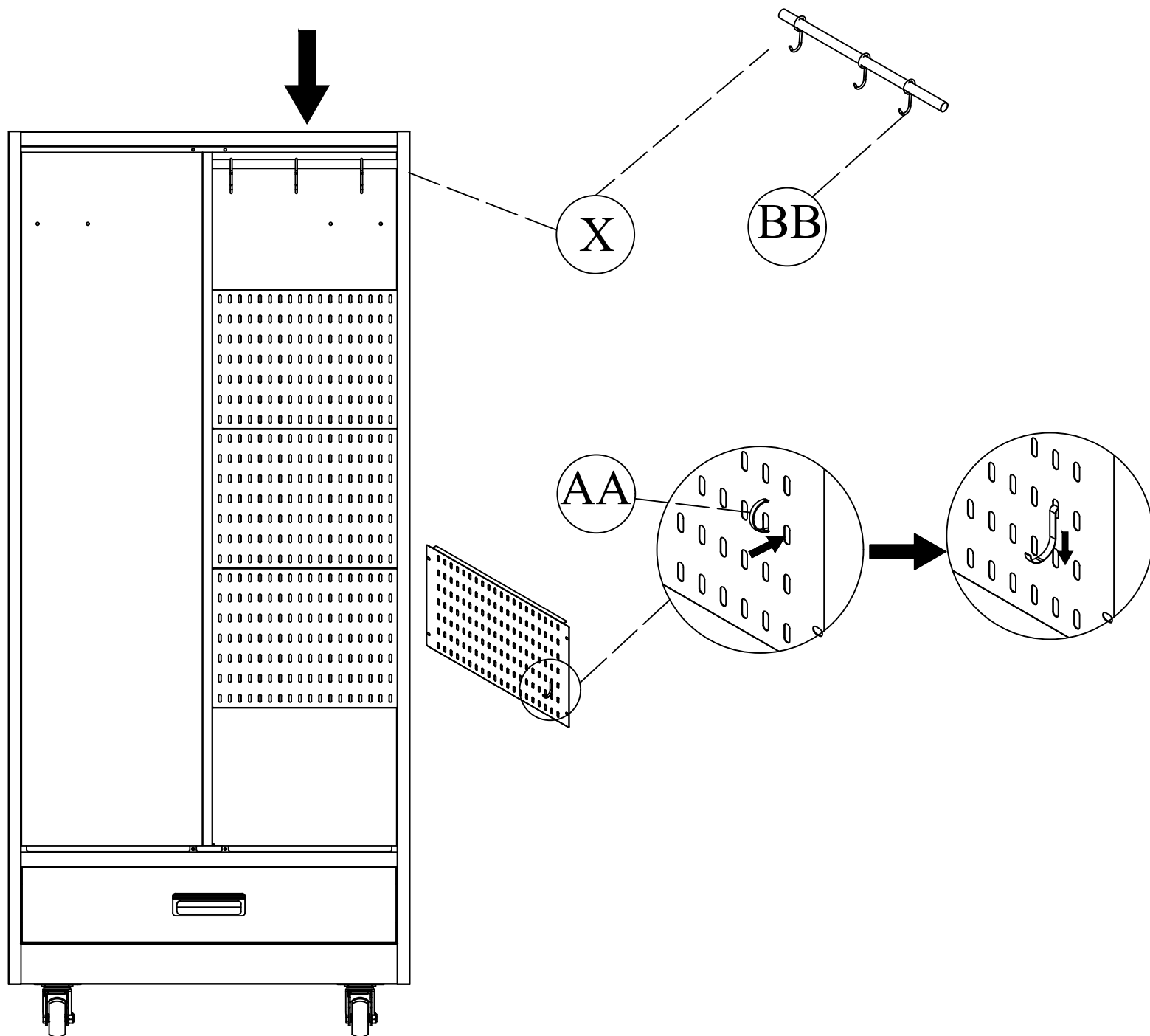
Fix 3 pegboards O on the middle plate and right side panel with 12 screws M



Step 17

Hang the pegs BB on the hanging rod X
Install the hanging rod X on the top
Hang the hooks AA on the pegboards O

- ⊙ AA  × 6
- ⊙ X  × 1
- ⊙ BB  × 3



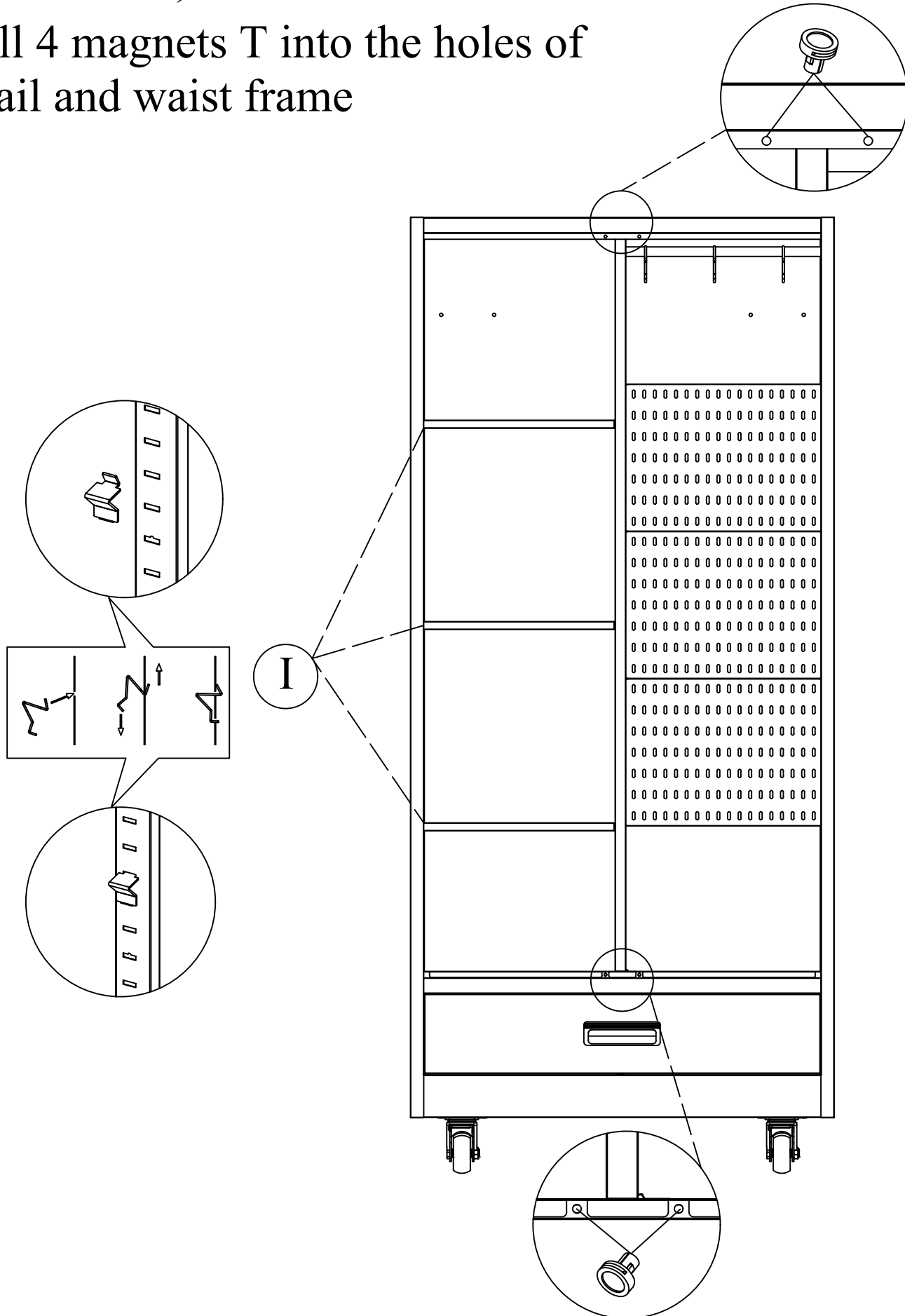
Step 18

(N)  × 12

Install 12 shelf clasps N and put 3 shelves I on them (Ensure that the 4 clasps for 1 shelf are at the same level)

(T)  × 4



Install 4 magnets T into the holes of top rail and waist frame




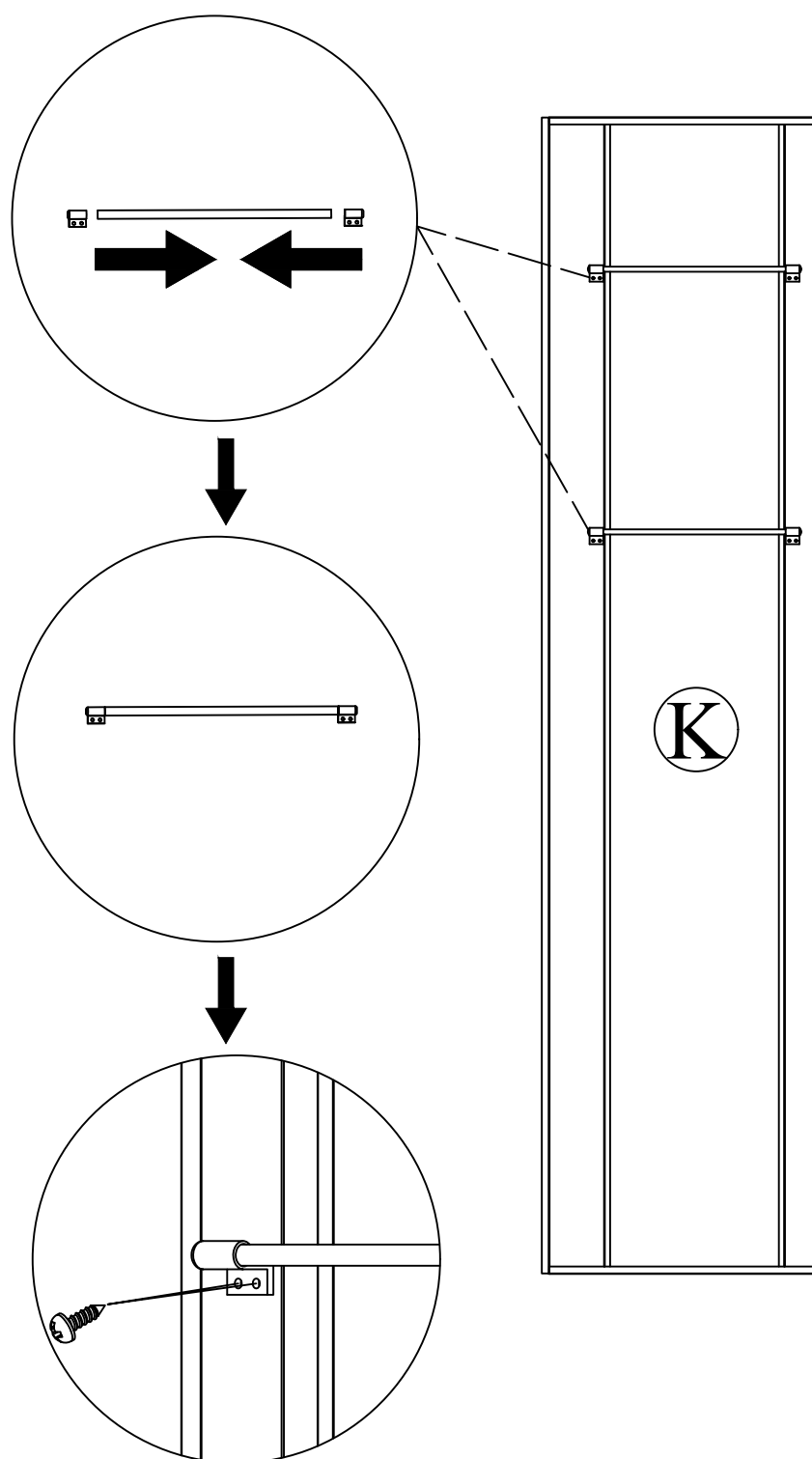
Step 19

Insert the both ends of towel rails U into the pedestals V, then fix 4 pedestals on the left door K with 8 screws W

U — × 2

V   × 2

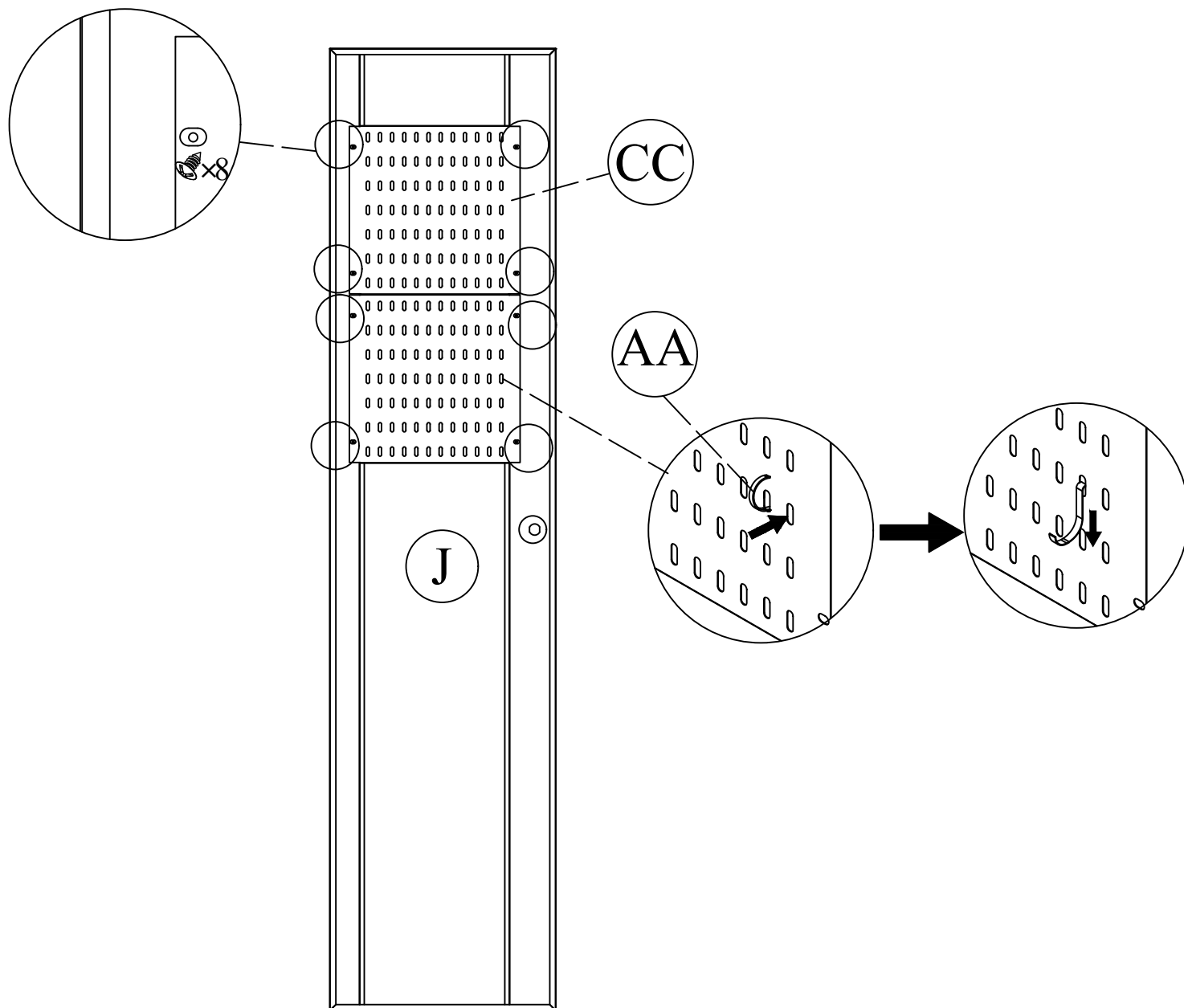
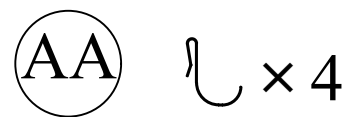
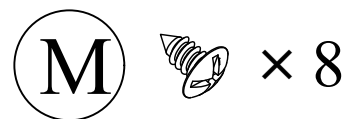
W  × 8



Step 20

Install 2 pegboards CC on the right door J with 8 screws M

Hang 4 hooks AA on the pegboards

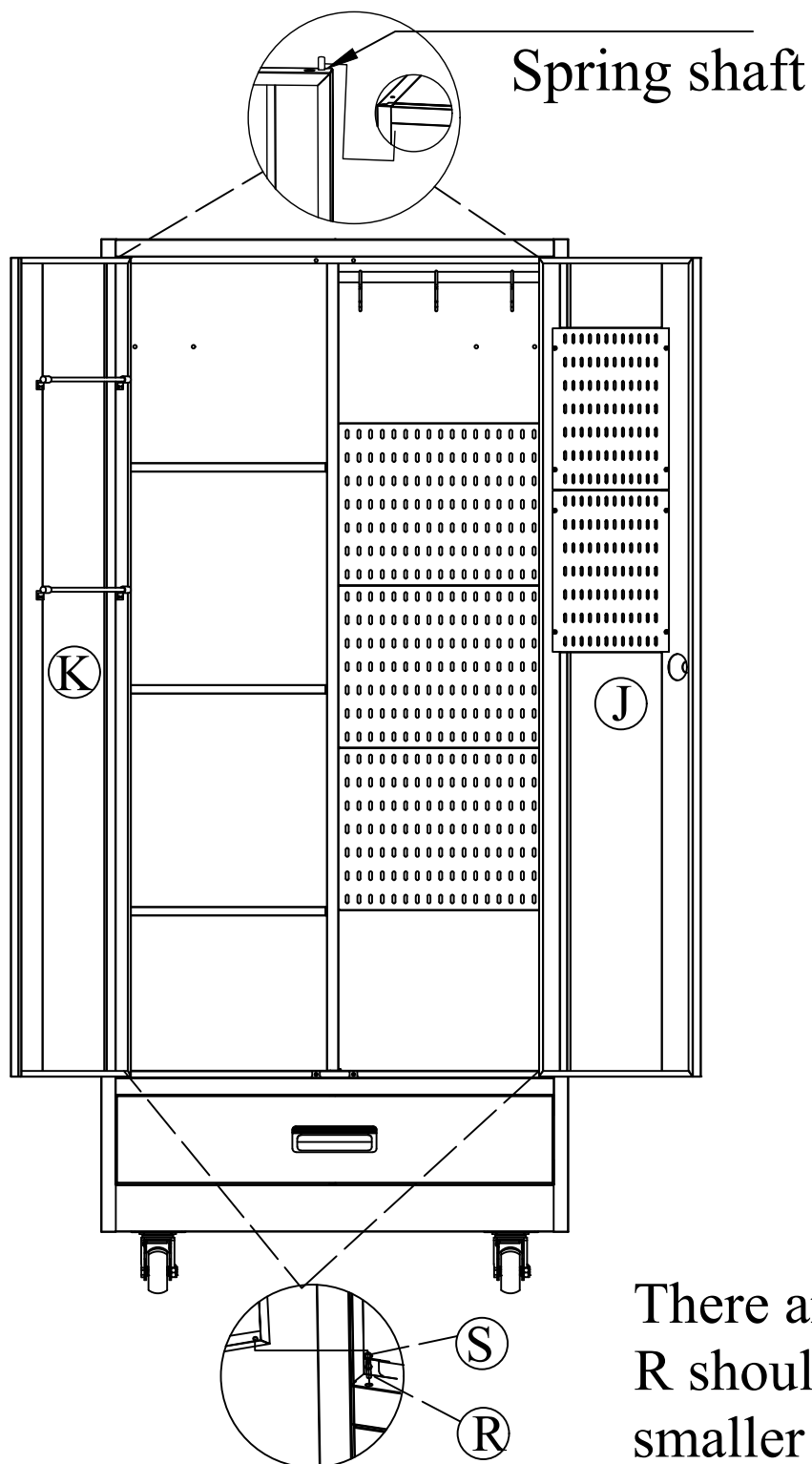


Step 21

Insert the door pivots R into the holes on the both sides of waist frame (shims S can be used to adjust), then insert the doors into the door pivots on the bottom, adjust the spring shafts at the top corners to stick them into the holes of top rail

Ⓡ × 2

Ⓢ × 4

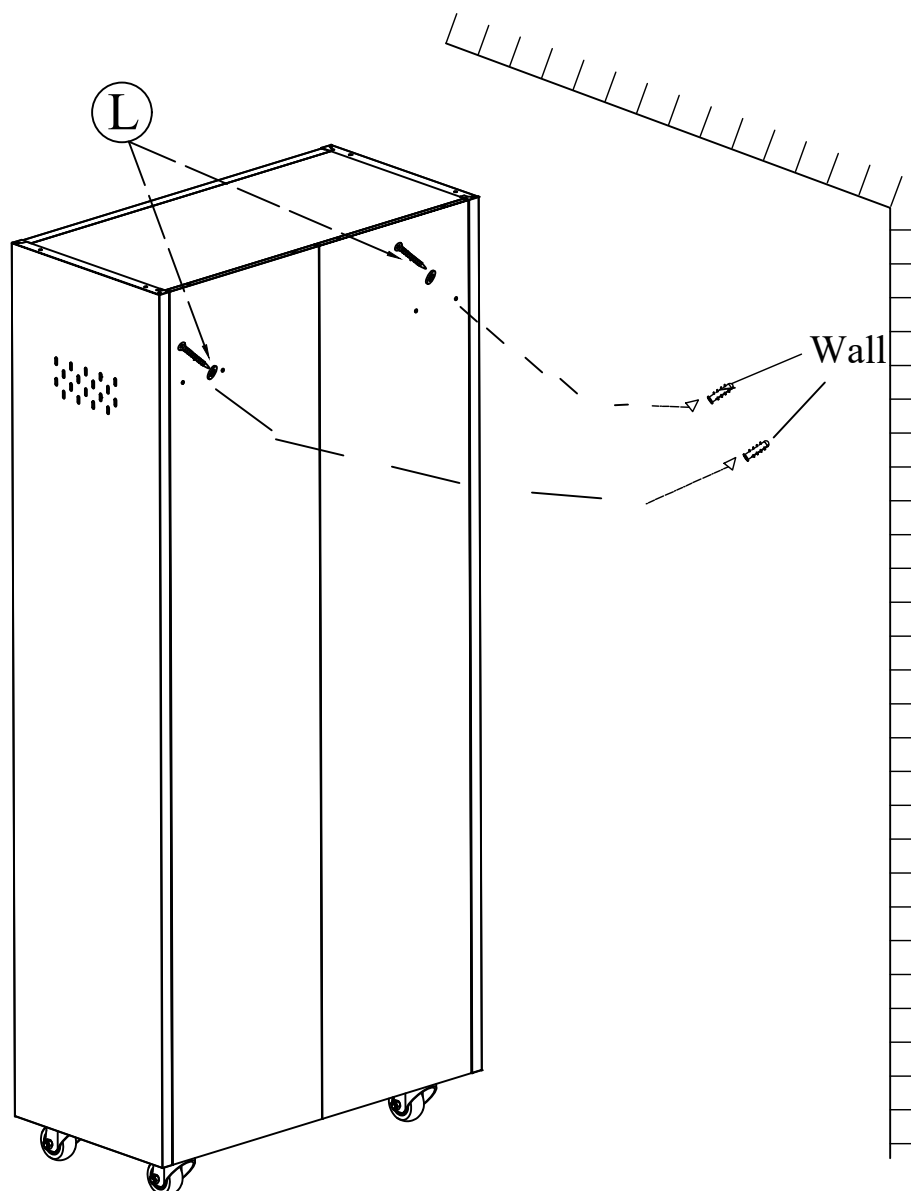
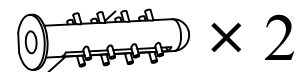
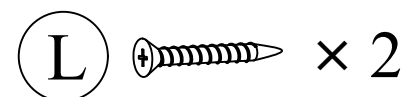


There are two holes here, and R should be inserted into the smaller hole.

Please remove the keys from the right door J and store them safely before proceeding with this step.

Step 22

Fix the cabinet on the wall with 2 expansion screws L to prevent tipping



DANGER



Always secure this furniture with an anchor device.

Unsecured furniture can cause serious injury or death to children.

Never allow children to stand, climb or hang on drawers, doors or shelves.

Never open more than one drawer or door at a time.

Place the heavy items on the lower position.

Never place a television on this furniture.

This is a permanent label. Do not remove!