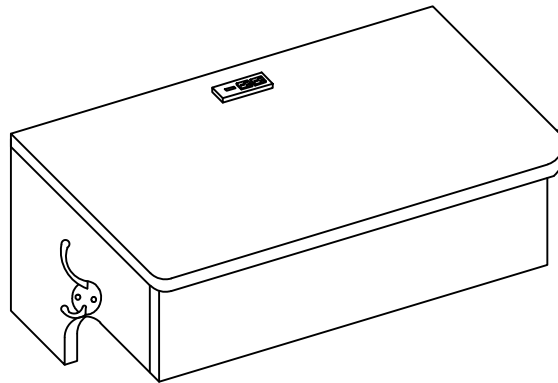
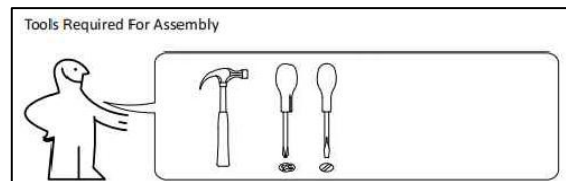
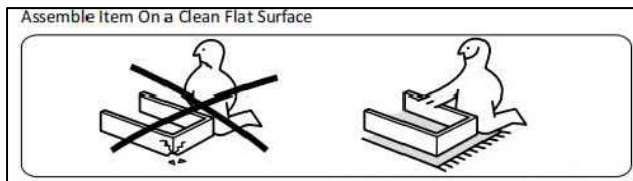








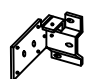




Instruction Manual



DEAR CUSTOMER,
 Thank you for choosing our product. Please read this manual carefully before assembling. If the product is passed on to the third party, this manual has to be passed on along with the product. Enjoy your new purchase!

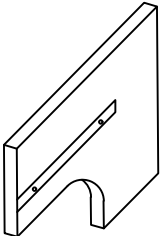
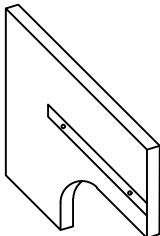
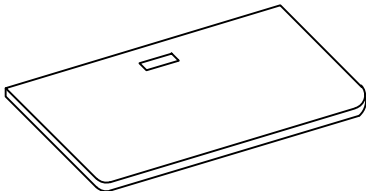
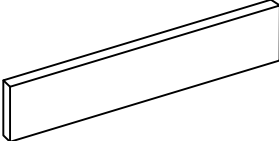
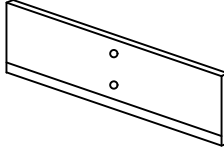
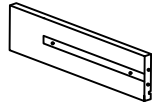
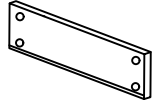
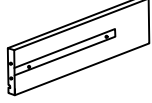
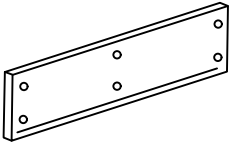



HARDWARE LIST

Accessory Pack 1	1		x20pcs	2		x20pcs	3		x6pcs	4		x2pcs	5		x1pcs				
	Accessory Pack 2	6		R x1pcs	7		L x1pcs	8		x4pcs	9		x4pcs	10		x4pcs	3		x10pcs

PARTS LIST



Note: there will be some error in the measurement, the actual size shall prevail.

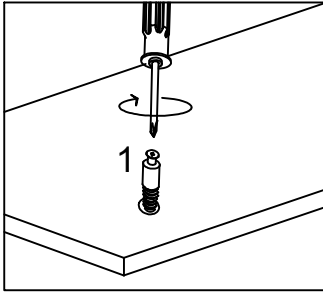
<p>A</p>  <p style="text-align: right;">×1pc</p>	<p>B</p>  <p style="text-align: right;">×1pc</p>	<p>C</p>  <p style="text-align: right;">×1pc</p>
<p>D</p>  <p style="text-align: right;">×1pc</p>	<p>E</p>  <p style="text-align: right;">×1pc</p>	<p>F</p>  <p style="text-align: right;">×1pc</p>
		<p>F1</p>  <p style="text-align: right;">×1pc</p>
<p>G</p>  <p style="text-align: right;">×1pc</p>	<p>H</p>  <p style="text-align: right;">×1pc</p>	<p>I</p>  <p style="text-align: right;">×2pc</p>

NOTE

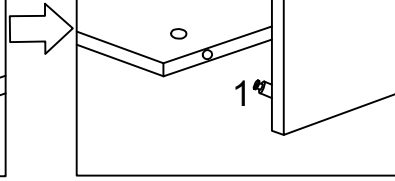
- Please check that you have all the parts and hardware listed before assembling.
- Please do not tighten all bolts until the table is assembled completely.
- If you find that something is missing, please contact the store you purchase immediately.
- At least every 4 months, check all bolts, screws and knobs to be sure they are tight.

Screws Installation Steps

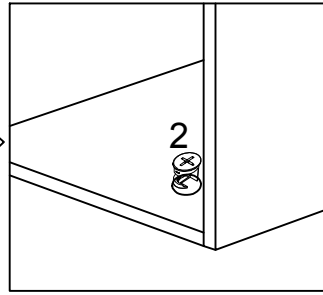
1  ×20pcs	2  ×20pcs
--	--



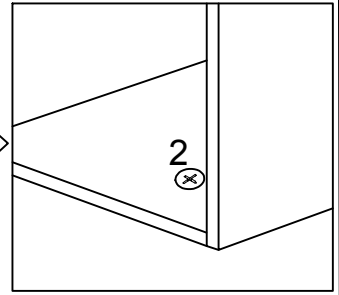
Screw the eccentric screw onto the board.



Find the corresponding board to insert.



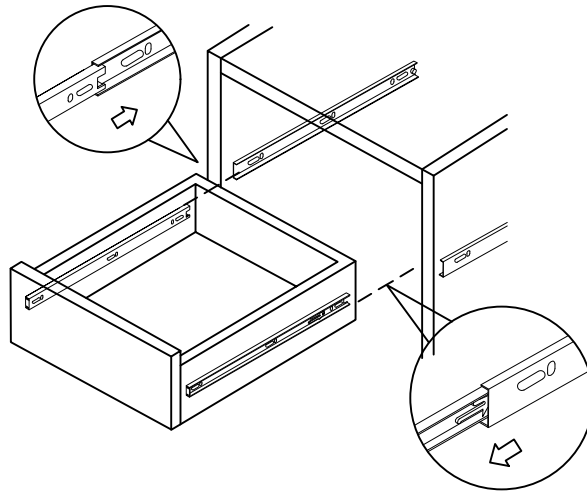
Insert eccentric bolt into round hole.





Turn clockwise about 180° to lock the board.

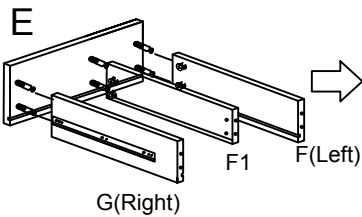
Guide rail installation drawing

The track on the drawer is directly pushed into the track on the cabinet body, and the installation is completed.

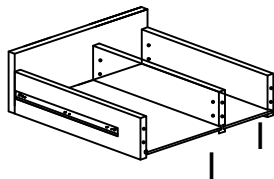


Step:1 (Installing drawer)

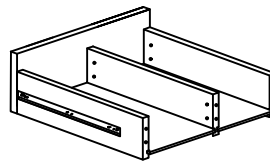
1  ×20pcs	2  ×20pcs
--	--



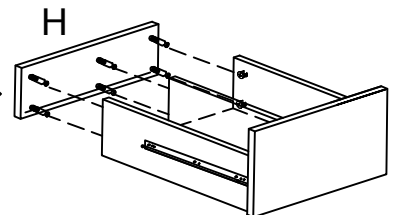
Connect left and right side panels to drawer panels.



Install drawer bottom plates.

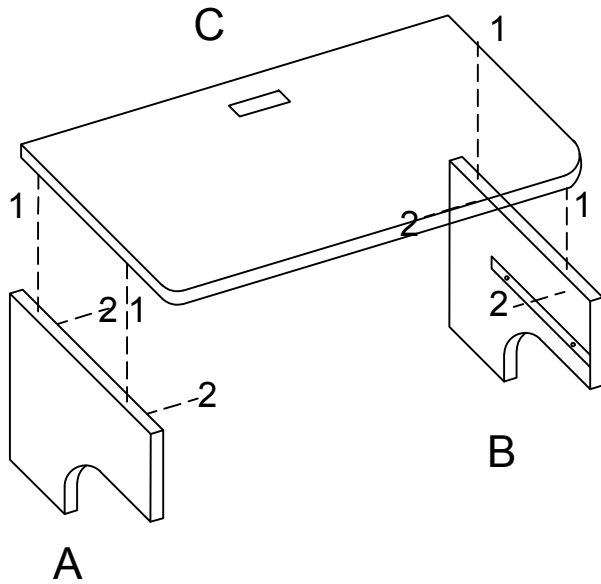
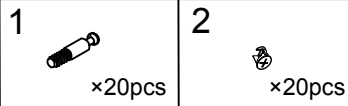


Bottom plate installed.



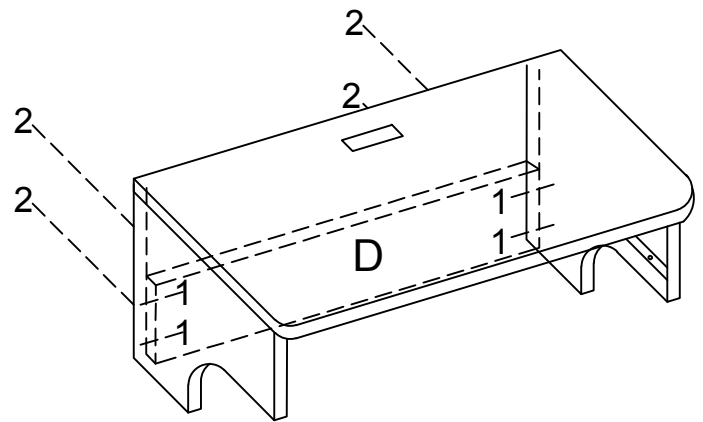
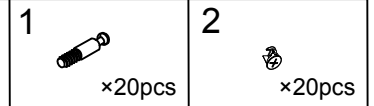
Install drawer back plates.

Step:2



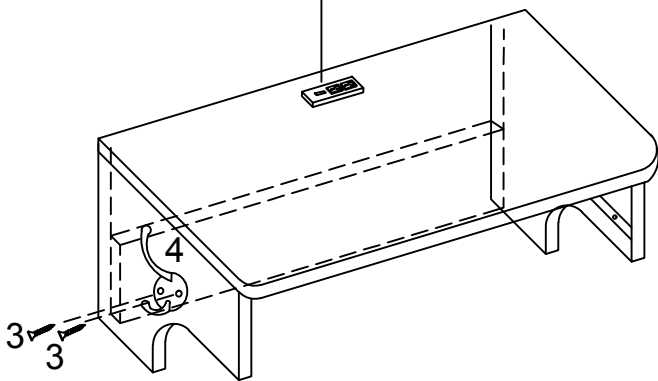
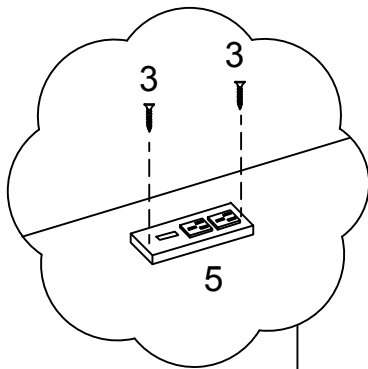
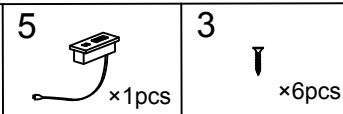
Install panel A,B and C through fitting 1 and 2.

Step:3



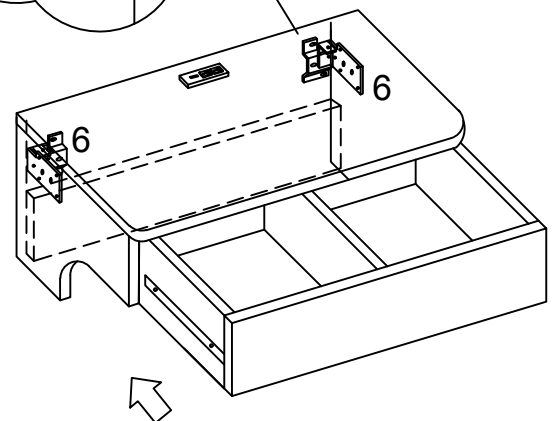
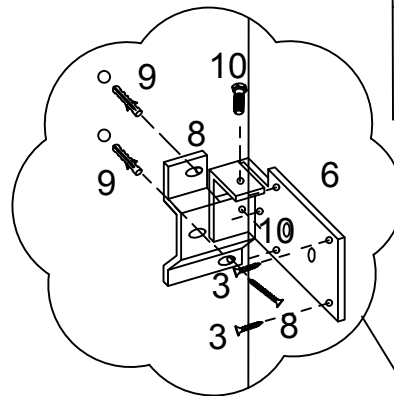
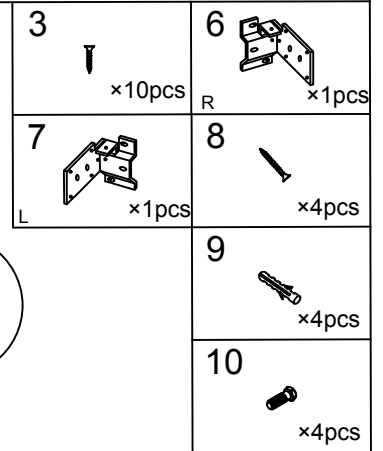
Install panel D through fitting 1 and 2.

Step:4



Install fitting 5, Install 4 on the left and right sides.

Installation Complete ! Step:5



Install with accessory Pack 2.