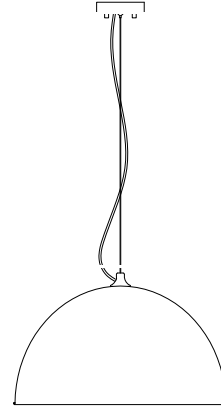




## Assembly Instruction

**CAUTION:** Read instruction carefully and turn electricity off at main circuit breaker panel before beginning installation.

**ITEM#:PND4005A**



### Care and Cleaning







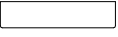



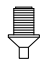
To clean the outside of the fixture, use a dry or slightly dampened clean cloth (use clean water, never a solvent) to wipe the surface of the fixture.

To clear the inside of the fixture, first disconnect power to the fixture by turning off the circuit breaker or by removing the fuse at the fuse box. Next, use a dry or slightly dampened clean cloth (use clean water, never a solvent) to wipe the interior surface of the fixture.

Do not use any cleaners with chemical, solvents or harsh abrasives. Use Only a dry soft cloth to dust or wipe carefully.

Estimated Assembly Time: 30 minutes

### Part List and Hardware List

PIECE	DESCRIPTION	PICTURE	QUANTITY	PIECE	DESCRIPTION	PICTURE	QUANTITY
A	Mounting Plate		1X	G	Steel cable		1X
B	Wire Nut		3X	H	Lamp body		1X
C	Mounting Screw		2X	I	Socket		1X
D	Canopy		1X	J	Bulb		1X
E	Canopy Nut		2X	K	Strain Relief		1X
F1/F2	Steel cable holder holder tube		1X				

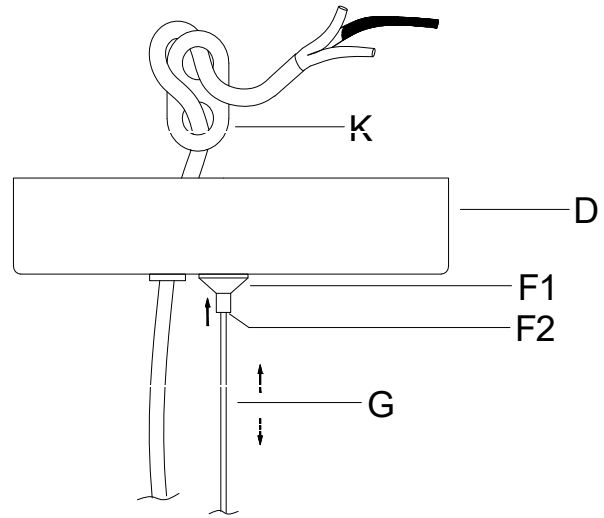
# Installation

## Step 1

Unpack all parts from cartons carefully.

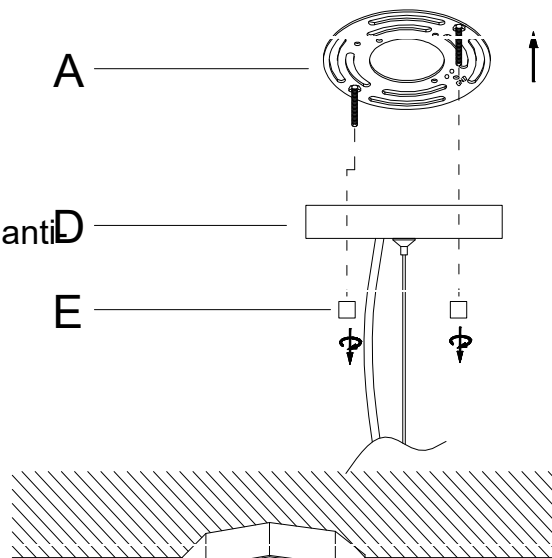
Press the Holder Tube(F2) into the Steel Cable Holder(F1), then adjust the length of the Steel Cable (G) as your desired length.

Adjust the length of the power cord accordingly(longer than the steel cable) by inserting into the Canopy(D) then fix it by inserting through the Strain Relief(K) against the Canopy(D).



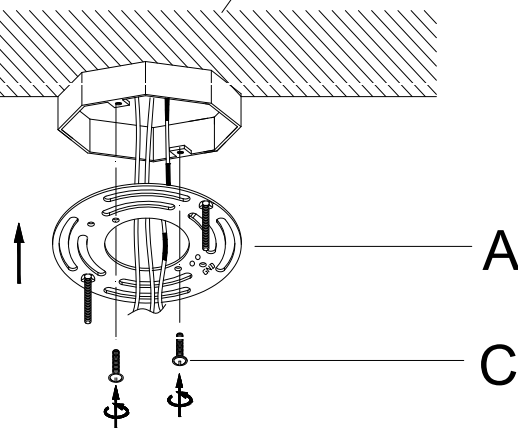
## Step 2

Separate the Mounting Plate(A) from the Canopy(D) by removing 2 Canopy Nuts(E) anti-clockwise.



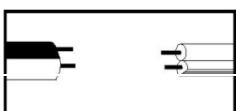
## Step 3

Attach the Mounting Plate (A) to the ceiling junction box and secure it by tightening 2 Mounting Screws (C) with a screwdriver until secure.



## Step 4 Wire connection

Connect, Hot, Black or Red outlet Supply Wire to:	Connect, Neutral, White Outlet Supply Wire to:
Black	White
*Parallel Cord(round&smooth)	*Parallel Cord(square&ridged)
Clear, Brwn, Gold or Black without Tracer(colored stripes)	Clear, Brwn, Gold or Black without Tracer(colored stripes)
Insulated Wire(not green)with copper metal conductor	Insulated Wire(not green)with Silver metal conductor



\*Note: When parallel wire(SPTI&SPTII)is used. The neutral wire is square shaped and ridged and the hot wire will be round in shape and smooth.(See illustration on left)



## Grounding Instructions:

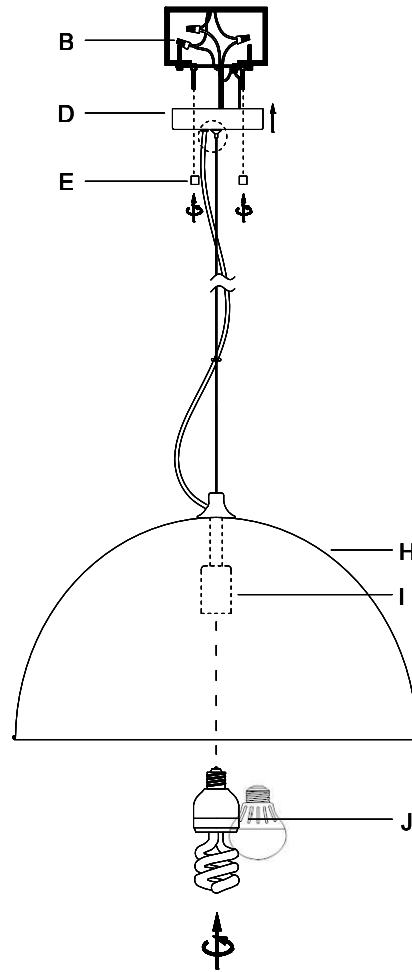
- a) For installation in the United States: Wrap ground wire from outlet box around green ground screw on mounting bracket, no less than 2" from wire end. Tighten ground screw. If fixture is supplied with a ground wire, connect to outlet ground wire with a wire connector.
- b) For installation in Canada: If fixture is supplied with ground wire, wrap ground wire around green grounding screw on mounting bracket. Tighten ground screw.

## Step 5

Raise the Canopy (D) over the Mounting Plate (B), making sure 2 Threaded Rods extend downwards through 2 holes on the Canopy (D). Secure the Canopy (D) by turning the Canopy Nuts (E) clockwise until tight.

Insert the bulb(J) into the socket(I) until secure.  
**DO NOT EXCEED THE SPECIFIED WATTAGE.**

**PLEASE USE TYPE "A" BULB MAX 100-WATT  
OR CFL BULB MAX 23-WATT or LED MAX 12W  
THERE IS 1\* 9W LED BULB IN THE BOX.**



## Step 6

Consult a qualified electrician to ensure correct branch circuit conductor

ENJOY YOUR LAMP

