

WARNING!!

Children have died from furniture tipover.

Tip restraints have been included with this product; you must install the tip restraints according to these instructions in order to minimize the risk of furniture tipping.

If you have any questions about this product or the tip restraint, please send us an email at tip_restraint_help@Noblehousefurniture.com

NEVER allow children to climb or hang on furniture, including drawers or cabinet doors.

In addition to installing the restrains , to help prevent tip-over

1. NEVER put a TV or other heavy objects on top of this product.

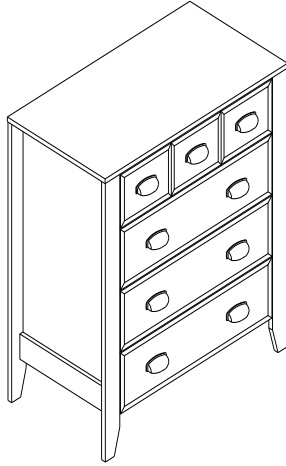
2. Do not stand on the product

 WARNING	
	<p>Children have died from furniture tipover. To reduce the risk of furniture tipover:</p> <ul style="list-style-type: none">• ALWAYS install tipover restraint provided.• NEVER put a TV on this product.• NEVER allow children to stand, climb or hang on drawers, doors, or shelves.• NEVER open more than one drawer at a time.• Place heaviest items in the lowest drawers.• Do not defeat or remove the drawer interlock system. <p><i>This is a permanent label. Do not remove!</i></p>
	





Assembly Instructions



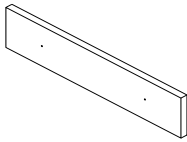
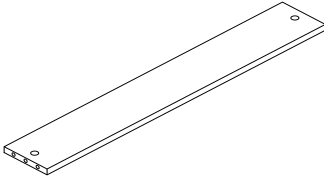
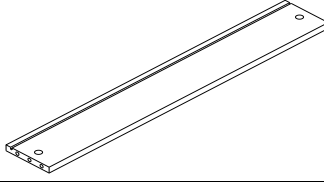
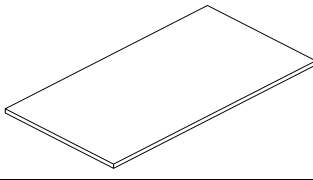
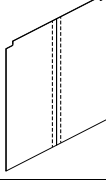
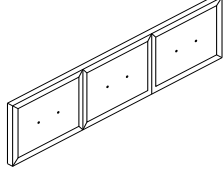
Caution : You must read this before you proceed

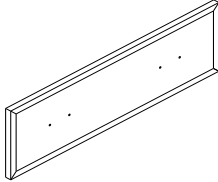
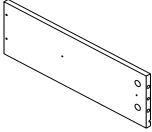
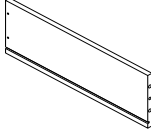
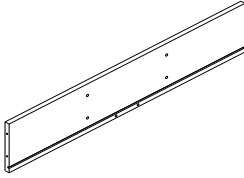
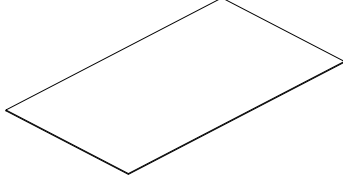
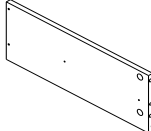
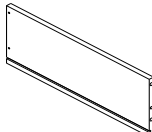
4 DRAWER CHEST

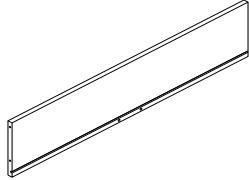
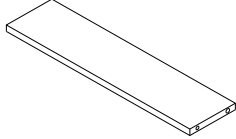
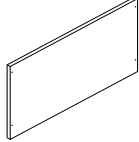
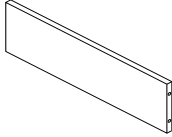


Part List



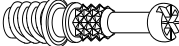



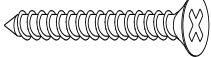
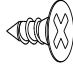

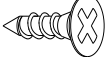

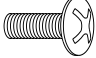

Label	Picture	Description	QTY
①		Left Front Leg	1
②		Right Front Leg	1
③		Right Rear Leg	1
④		Left Rear Leg	1


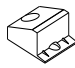


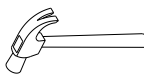
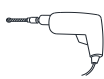

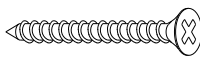
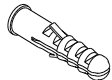
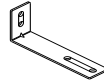
5		Left Side Panel	1
6		Right Side Panel	1
7		Horizontal Panel	2
8		Bottom Front Panel	1
9		Bottom Rear Panel	1
10		Top Panel	1
11		Back Panel	1
12		Drawer Front	1

<p>13</p>		<p>Drawer Front</p>	<p>3</p>
<p>14</p>		<p>Left Drawer Side Panel</p>	<p>1</p>
<p>15</p>		<p>Right Drawer Side Panel</p>	<p>1</p>
<p>16</p>		<p>Drawer Back Panel</p>	<p>1</p>
<p>17</p>		<p>Drawer Panel</p>	<p>4</p>
<p>18</p>		<p>Left Drawer Side Panel</p>	<p>3</p>
<p>19</p>		<p>Right Drawer Side Panel</p>	<p>3</p>

<p>20</p>		<p>Drawer Back Panel</p>	<p>3</p>
<p>21</p>		<p>Drawer Support Panel</p>	<p>4</p>
<p>22</p>		<p>Back Support</p>	<p>1</p>
<p>23</p>		<p>Drawer Divider</p>	<p>2</p>

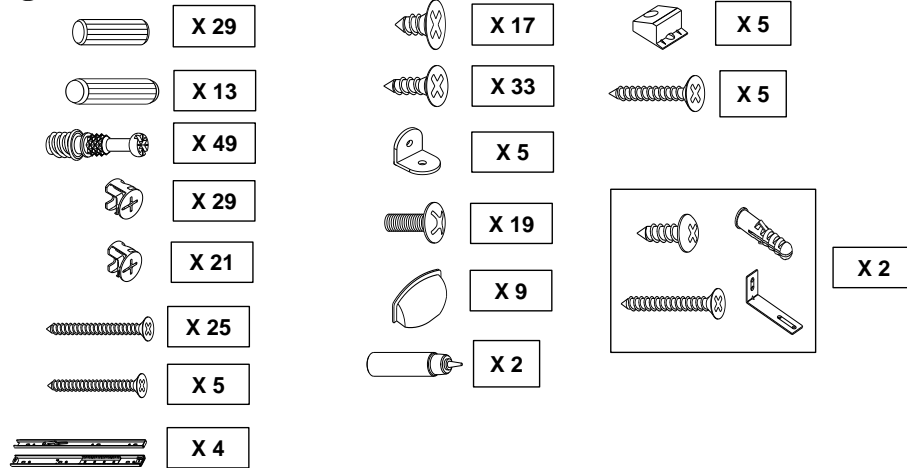
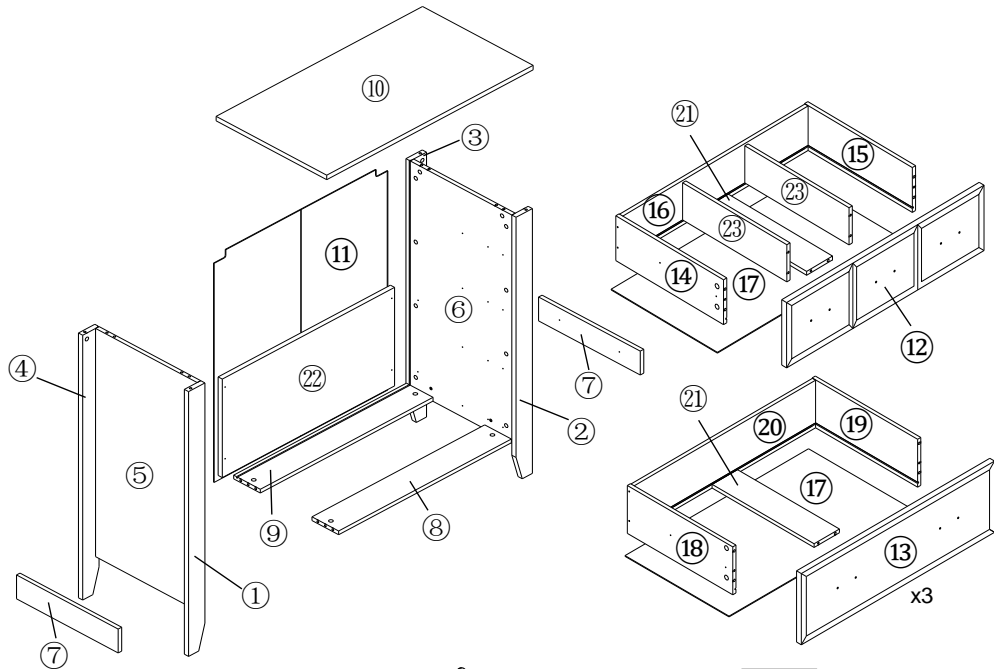
Hardware

Label	Picture	Description	QTY
A		Wood Dowel M6 x 25mm	29
B		Wood Dowel M8 x 25mm	13
C		Cam Bolt	49
D		Cam Lock (15/12.5mm)	29
E		Cam Lock (15/9.5mm)	21
F		Screw M4.5 x 38mm	25
G		Screw M4 x 25mm	5
H		Screw M4 x 12mm	17
I	 Carcass Slide Drawer Slide	Slide	4
J		Screw M4 x 14mm	33
K		L-Bracket	5
L		Truss Head Screw M4 x 12mm	19
M		Handle	9

N		Glue	2
O		Corner Block	5
P		Screw M3 x 20mm	5
Q		Screwdriver (not provided)	1
R		Hammer (not provided)	1
S		Power Drill (not provided)	1
Restraint Device Hardware			
T		Screw M3.5 x 12mm	2
		Screw M3.5 x 38mm	2
		Wall Plug	2
		Metal Bracket	2

Assembly Preparation

Before Beginning Assembly:



- Read instructions, cover to cover-



- Have 2 adults on hand for assembly-



- Do not assemble on flooring or carpet-



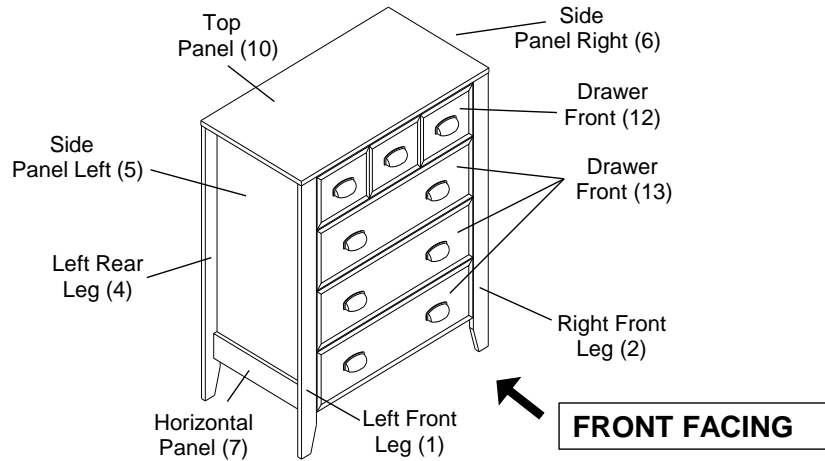
- Assemble on a clean non-marring surface (packing foam)-



- Save all packaging until finished-

Assembly Steps

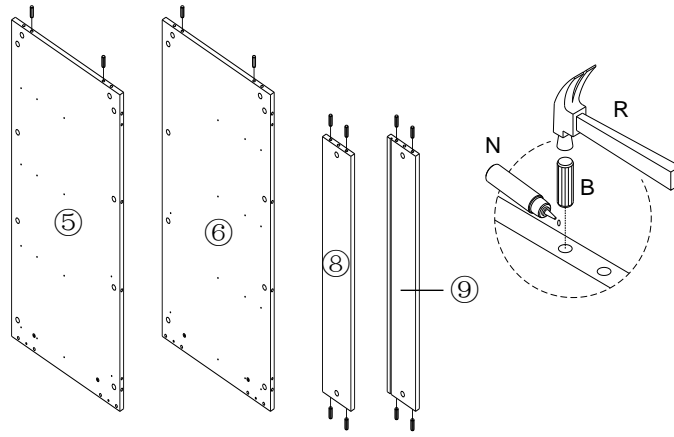
Overview



This 4 Drawer Chest has multiple parts and may require up to 60 minutes to assemble. To give you an overview of the 4 Drawer Chest parts, the above picture is to help you put the various parts into perspective.

Please read through the instructions below to familiarise yourself with the parts and steps before assembly.

Step 1

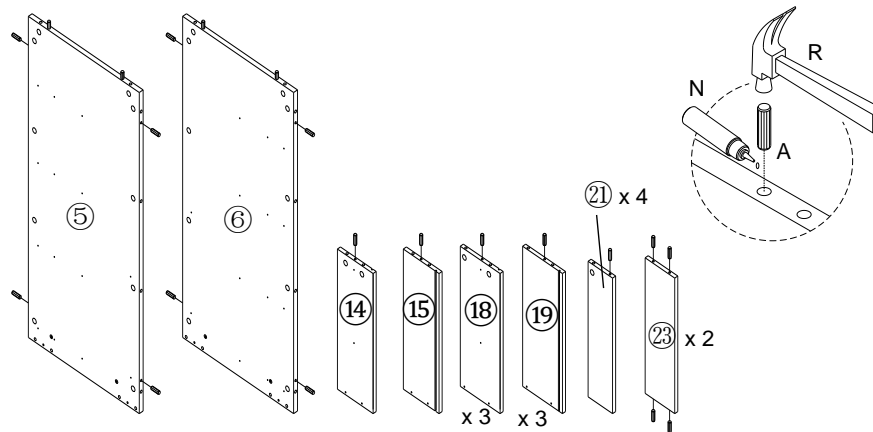


Unpack and place all parts on a clean, non-marring surface.

1.1) Apply Glue (N), and insert Wood Dowels M8x25mm (B) into Left Side Panel (5), Right Side Panel (6), Bottom Front Panel (8) and Bottom Rear Panel (9) using a hammer (R).

Note: There are pre-existing mounting positions on the Panels to insert the Wood Dowels (B).

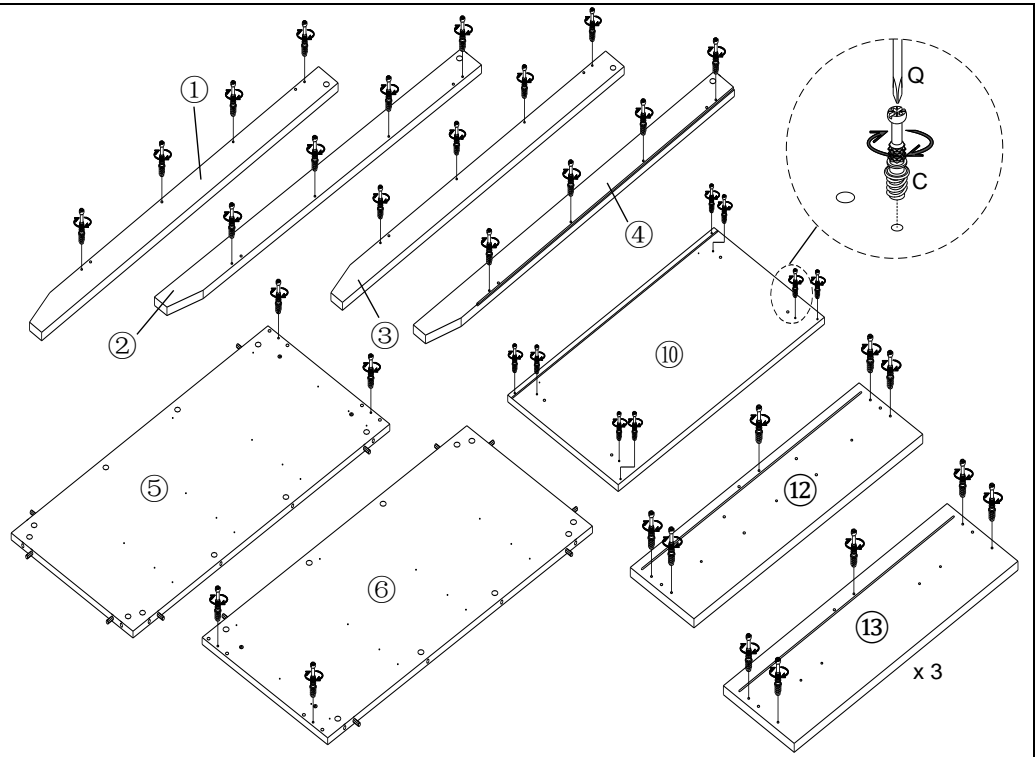
Step 2



2.1) Apply Glue (N), and insert Wood Dowels M6x25mm (A) into Left Side Panel (5), Right Side Panel (6), Left Drawer Side Panel (14), Right Drawer Side Panel (15), Left Drawer Side Panel (18), Right Drawer Side Panel (19), Drawer Support Panel (21), and Drawer Divider (23) using the hammer (R).

Note: There are pre-existing mounting positions on the Panels to insert the Wood Dowels (A).

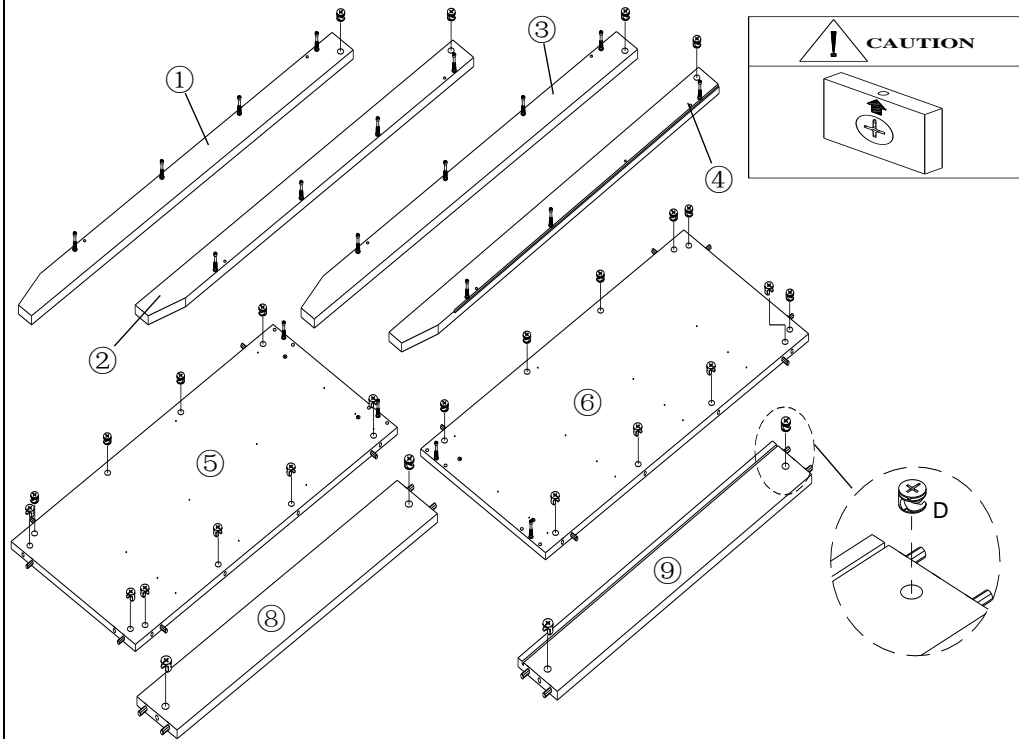
Step 3



3.1) Insert Cam Bolts (C) into the mounting positions on Left Front Leg ①, Right Front Leg ②, Right Rear Leg ③, Left Rear Leg ④, Left Side Panel ⑤, Right Side Panel ⑥, Top Panel ⑩, Drawer Front ⑫, and Drawer Front ⑬ using screwdriver (Q).

Note: There are pre-existing mounting positions on the Panels to insert the Cam Bolts (C).

Step 4

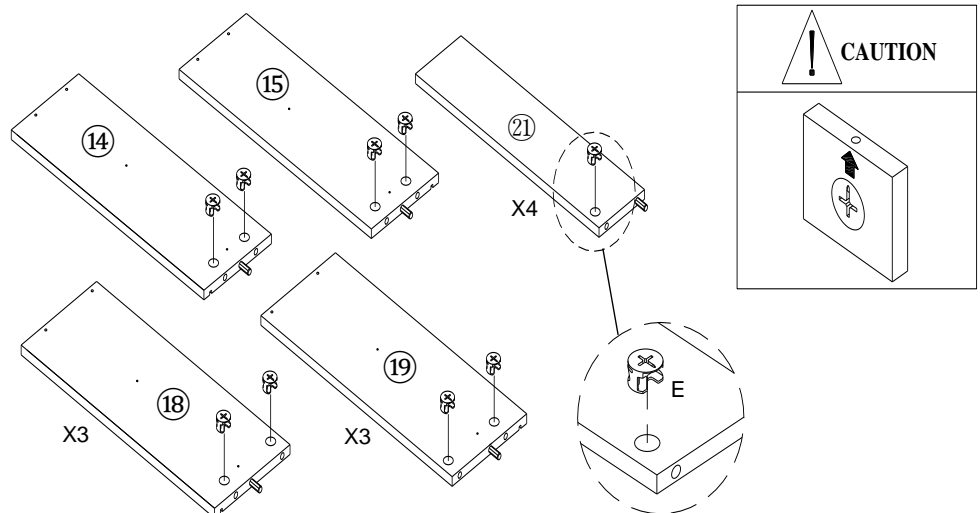


4.1) Insert Cam Locks (D) into the mounting positions on Left Front Leg ①, Right Front Leg ②, Right Rear Leg ③, Left Rear Leg ④, Left Side Panel ⑤, Right Side Panel ⑥, Bottom Front Panel ⑧ and Bottom Rear Panel ⑨.

CAUTION: Insert the Cam Locks (D) per the correct orientation as indicated in the above picture.

Note: There are pre-existing mounting positions on the Panels to insert the Cam Locks (D).

Step 5

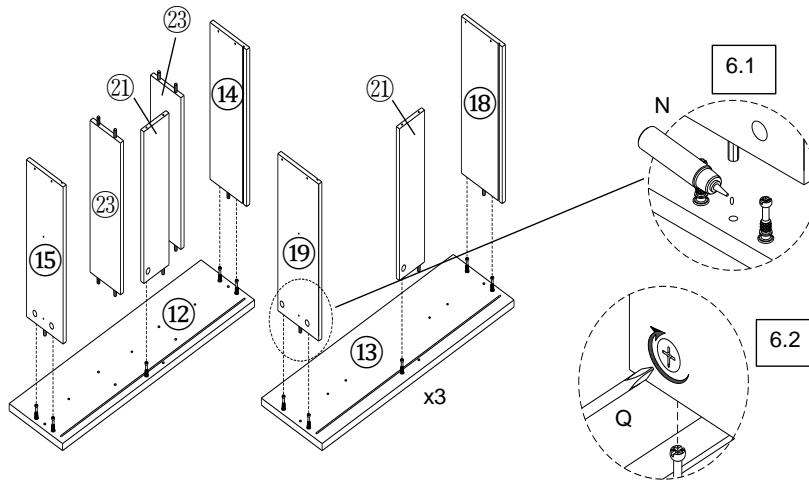


5.1) Insert Cam Locks (E) into the mounting positions on Left Drawer Side Panel ⑭, Right Drawer Side Panel ⑮, Left Drawer Side Panel ⑱, Right Drawer Side Panel ⑲, and Drawer Support Panel ⑳.

CAUTION: Insert Cam Locks (E) per the correct orientation as indicated in the above picture.

Note: There are pre-existing mounting positions on the Panels to insert the Cam Locks (E).

Step 6

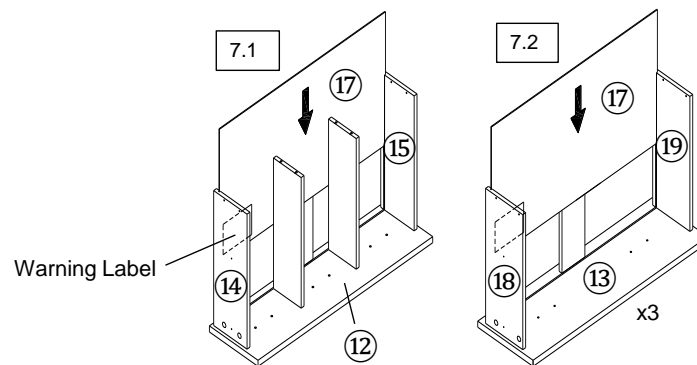


6.1) Apply Glue (N) into the dowel mounting positions on Drawer Front ⑫ and Drawer Front ⑬.

Attach Left Drawer Side Panel ⑭, Right Drawer Side Panel ⑮, Drawer Support Panel ⑰, and Drawer Divider ⑱ to Drawer Front ⑫ and attach Left Drawer Side Panel ⑲, Right Drawer Side Panel ⑳ and Drawer Support Panel ⑰ to Drawer Front ⑬.

6.2) Turn the Cam Locks (E) clockwise with screwdriver (Q) until they all lock into place.

Step 7

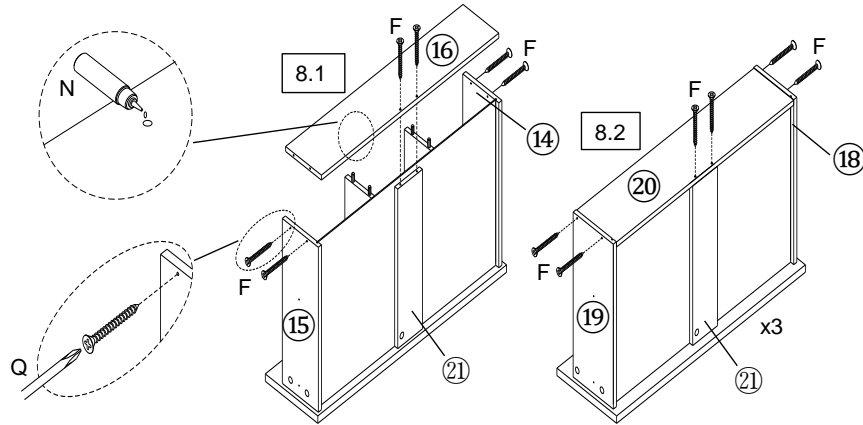


7.1) Insert Drawer Panel ⑰ along the grooves on Drawer Front ⑫, Left Drawer Side Panel ⑭ and Right Drawer Side Panel ⑮.

7.2) Insert Drawer Panel ⑰ along the grooves on Drawer Front ⑬, Left Drawer Side Panel ⑲ and Right Drawer Side Panel ⑳.

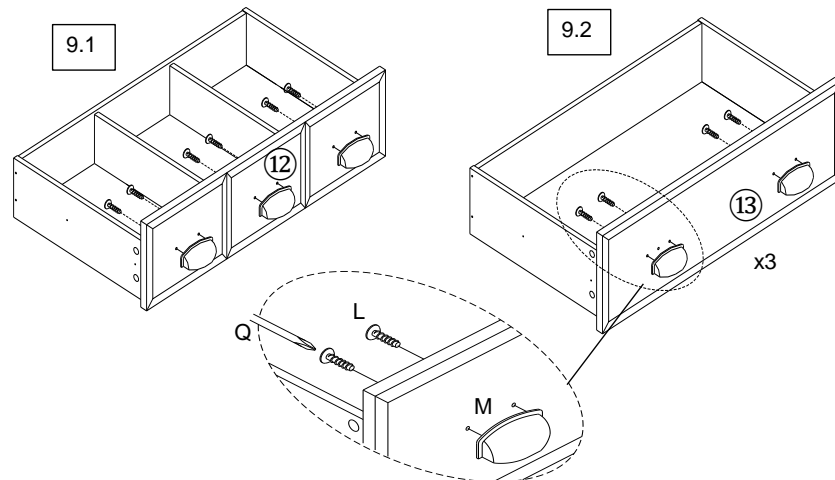
Tips: To ensure the Drawer Panels ⑰ are in the correct position: Insert the panels with the warning label facing down.

Step 8



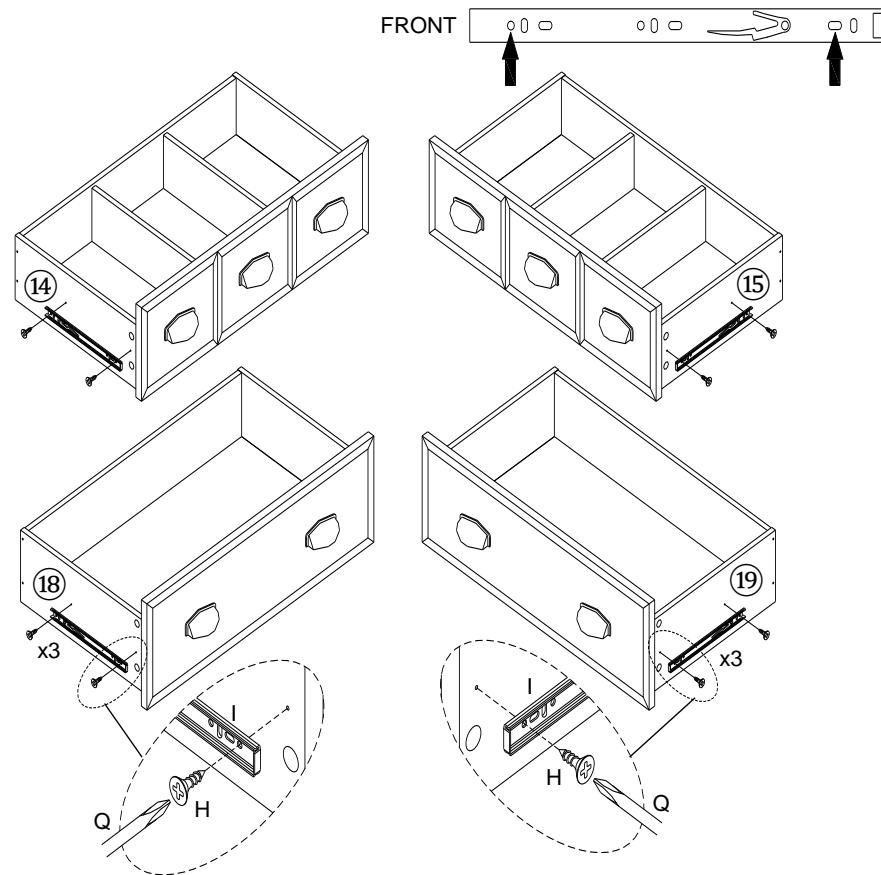
- 8.1)** Apply Glue (N) into the dowel mounting positions on Drawer Back Panel (16). Attach the Drawer Back Panel (16) using Screws M4.5 x 38mm (F) and screwdriver (Q).
- 8.2)** Attach Drawer Back Panel (20) using Screws M4.5 x 38mm (F) and screwdriver (Q).
- Note:** There are pre-existing mounting positions on the Panels for the screws M4.5 x 38mm (F).

Step 9



- 9.1)** Attach Handles (M) to Drawer Front (12) using Truss Head Screws M4 x 12mm (L) and Screwdriver (Q).
- 9.2)** Attach Handles (M) to Drawer Front (13) using Truss Head Screw M4 x 12mm (L) and Screwdriver (Q).
- Tighten the Screws fully in a sequential manner.**
- Note:** There are pre-existing mounting positions on the Panels to attach the Handles (M).

Step 10

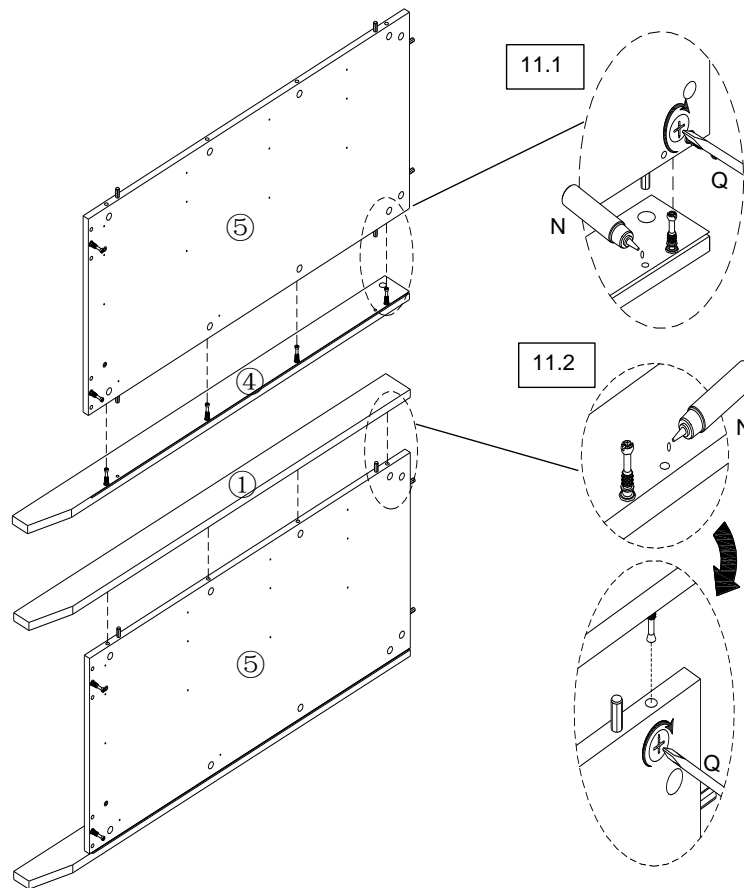


10.1) Attach the Slide Left (I) onto Left Drawer Side Panel (14) and Slide Right (I) onto Right Drawer Side Panel (15) using Screws M4 x 12mm (H) and screwdriver (Q).

Repeat the same steps to attach Slides onto Left Drawer Side Panel (18) and Right Drawer Side Panel (19).

Note: There are pre-existing mounting positions on the Panels to attach the Slide (I).

Step 11



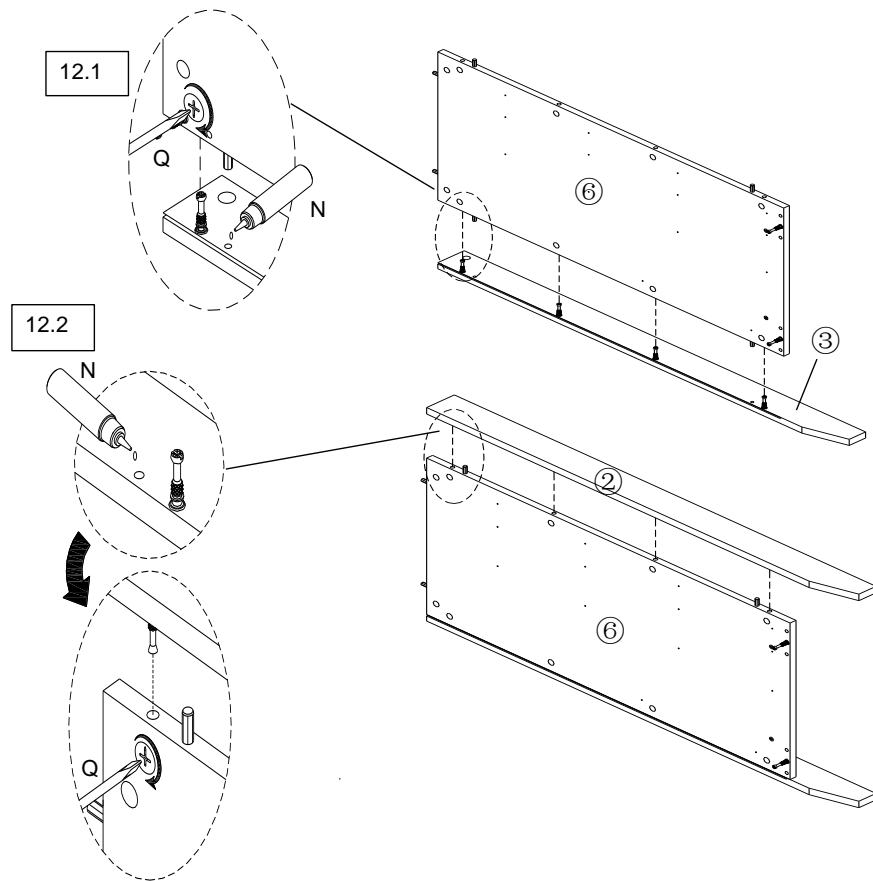
11.1) Apply Glue (N) into the dowel mounting positions on Left Rear Leg (4).
Attach Left Side Panel (5) to Left Rear Leg (4).

Turn the Cam Locks clockwise with screwdriver (Q) until they all lock into place.

11.2) Apply Glue (N) into the dowel mounting positions on Left Front Leg (1).
Attach Left Front Leg (1) to Left Side Panel (5).

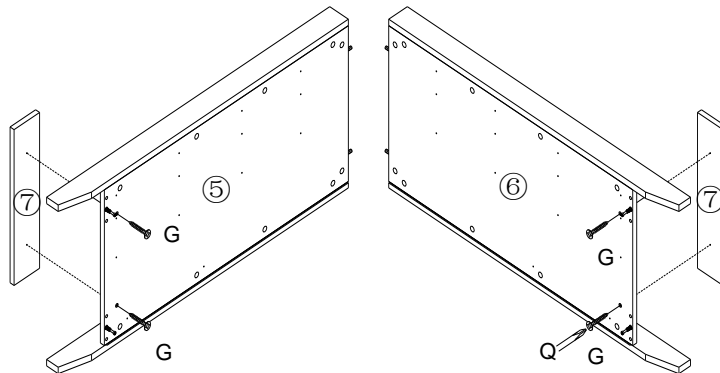
Turn the Cam Locks (D) clockwise with screwdriver (Q) until they all lock into place.

Step 12



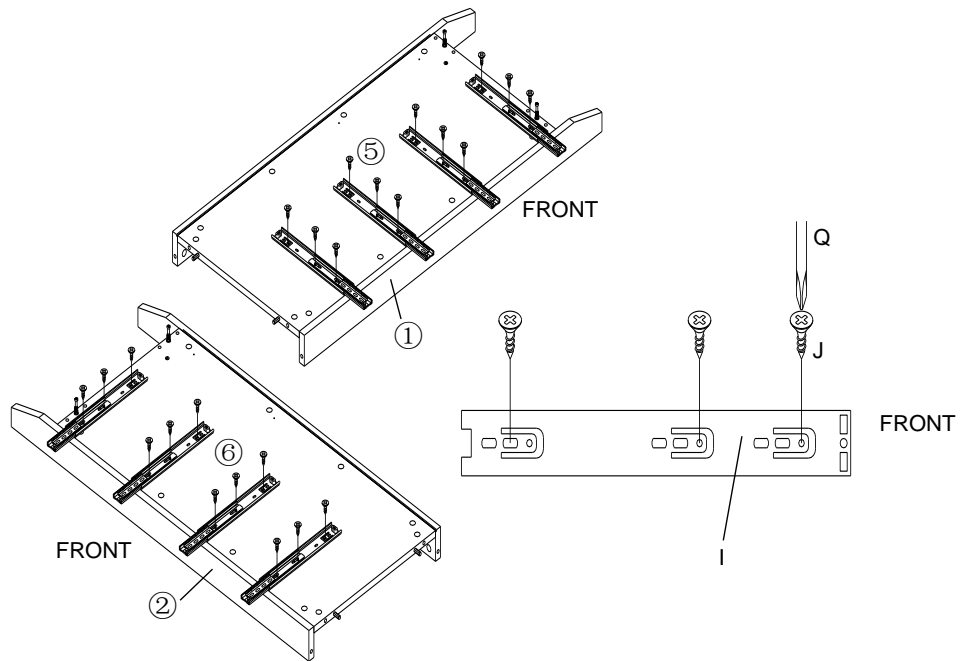
- 12.1)** Apply Glue (N) into the dowel mounting positions on Right Rear Leg (3).
Attach Right Side Panel (6) to Right Rear Leg (3).
Turn the Cam Locks clockwise with screwdriver (Q) until they all lock into place.
- 12.2)** Apply Glue (N) into the dowel mounting positions on Right Front Leg (2).
Attach Right Front Leg (2) to Right Side Panel (6).
Turn the Cam Locks (D) clockwise with screwdriver (Q) until they all lock into place.

Step 13



- 13.1)** Attach Horizontal Panel (7) to Left Side Panel (5) using Screws M4 x 25mm (G) and screwdriver (Q).
Repeat the same steps to Assemble Horizontal Panel (7) to Right Side Panel (6).
Note: There are pre-existing mounting positions on the Panels for the screws M4 x 25mm (G).

Step 14

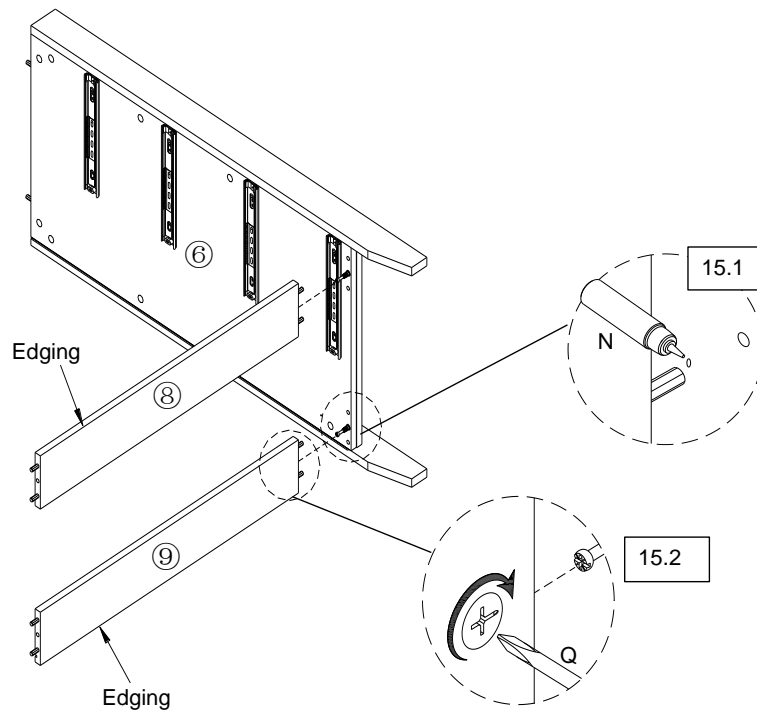


14.1) Attach the Slide Left (I) to Left Side Panel ⑤ and the Slide Right (I) to Right Side Panel ⑥ using Screws M4 x 14mm (J) and screwdriver (Q).

Tighten the Screws fully in a sequential manner.

Note: There are pre-existing mounting positions on the Panels to attach the Slides (I).

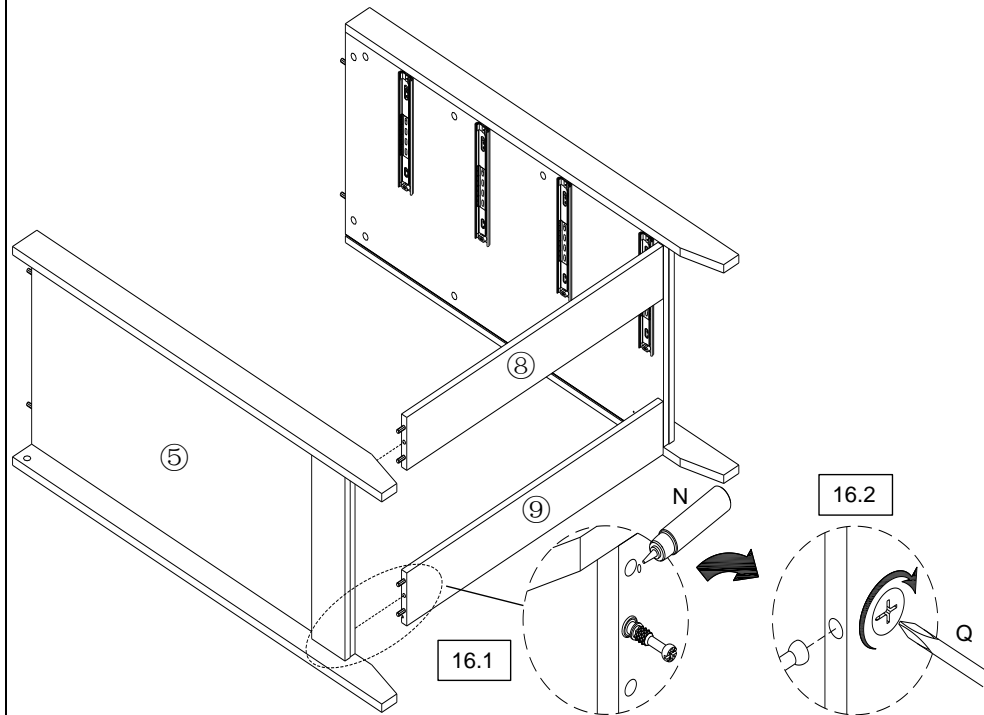
Step 15



15.1) Apply Glue (N) into the dowel mounting positions on Right Side Panel ⑥. Attach Bottom Front Panel ⑧ and Bottom Rear Panel ⑨ to Right Side Panel ⑥.

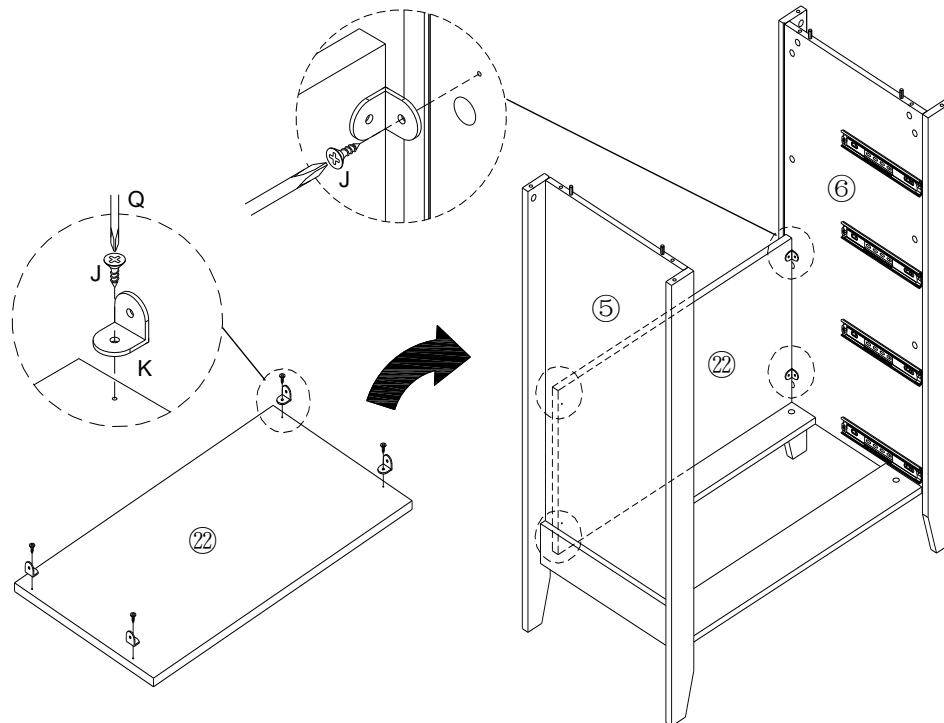
15.2) Turn the Cam Locks (D) clockwise with screwdriver (Q) until they all lock into place.

Step 16



- 16.1)** Apply Glue (N) into the dowel mounting positions on Left Side Panel ⑤.
16.2) Attach Bottom Front Panel ⑧ and Bottom Rear Panel ⑨ to Left Side Panel ⑤. Turn the Cam Locks (D) clockwise with screwdriver (Q) until they all lock into place.

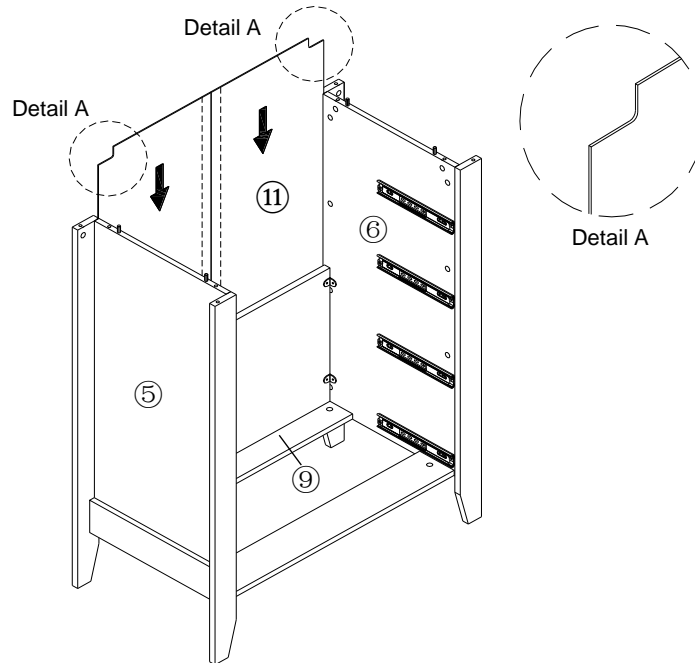
Step 17



- 17.1)** Assemble the L-Brackets (K) to Back Support ⑳ using Screws M4 x 14mm (J) and Screwdriver (Q). Then, assemble Back Support ㉑ to Left Side Panel ⑤ and Right Side Panel ⑥ using screws M4 x 14mm (J) with Screwdriver (Q).

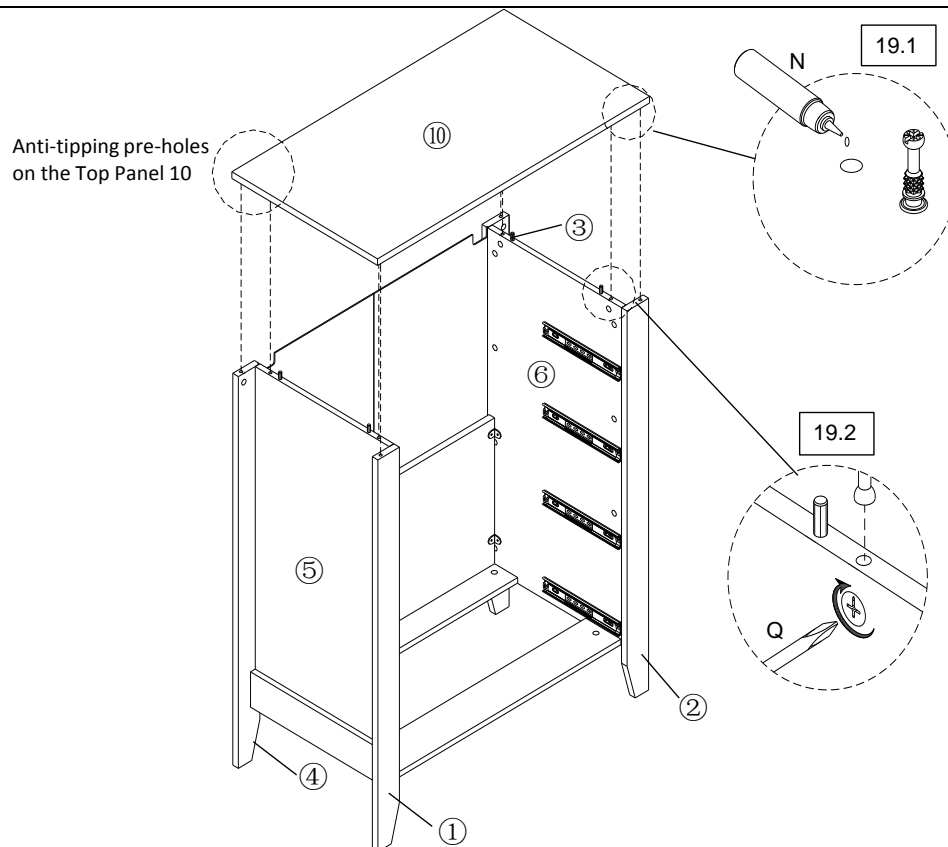
Note: There are pre-existing mounting positions on the Panels to attach the L-Brackets (K).

Step 18



Insert Back Panel (11) along the grooves on Left Side Panel (5), Right Side Panel (6) and Bottom Rear Panel (9).

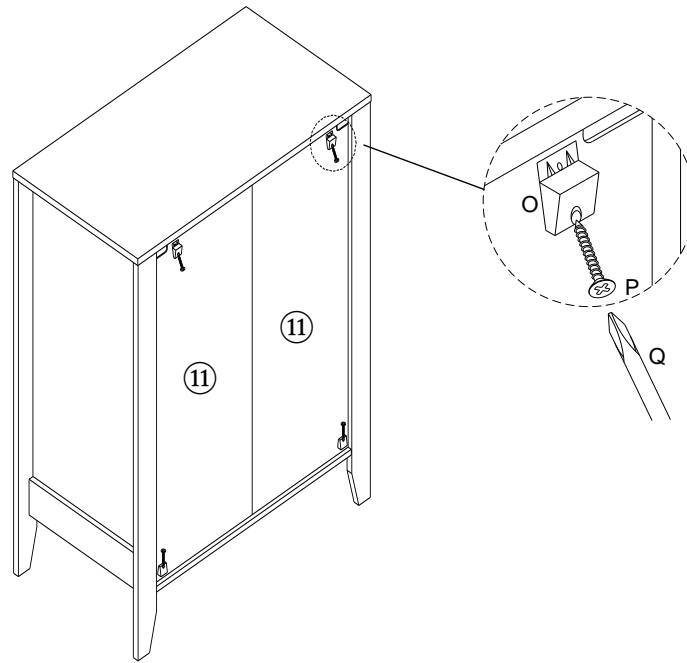
Step 19



19.1) Apply Glue (N) into the dowel mounting positions on Top Panel (10).

19.2) Attach Top Panel (10) to Left Front Leg (1), Right Front Leg (2), Right Rear Leg (3), Left Rear Leg (4), Left Side Panel (5) and Right Side Panel (6). Turn the Cam Locks (D) clockwise with screwdriver (Q) until they all lock into place.

Step 20



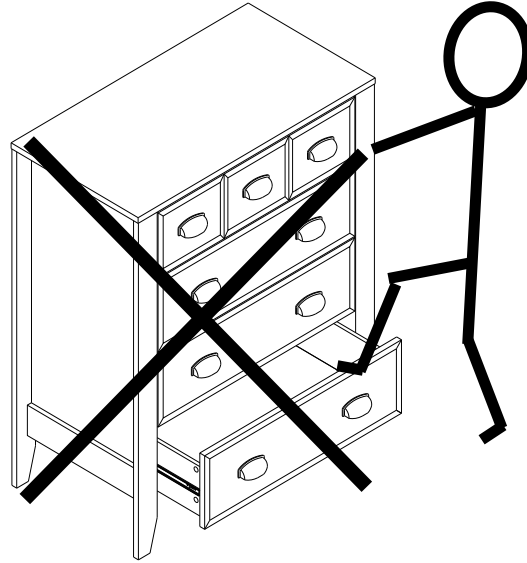
Assemble the Corner Block (O) to Back Panel ⑪ using Screws M3 x 20mm (P) and Screwdriver (Q).

Cabinet Restraint Device Installation Instructions



WARNING

Serious or fatal crushing injuries can occur from tipping furniture.
To help prevent tip-over: ALWAYS secure this furniture to the wall using Cabinet Restraint Device.
See product instructions for more ways to help prevent furniture tip-over.

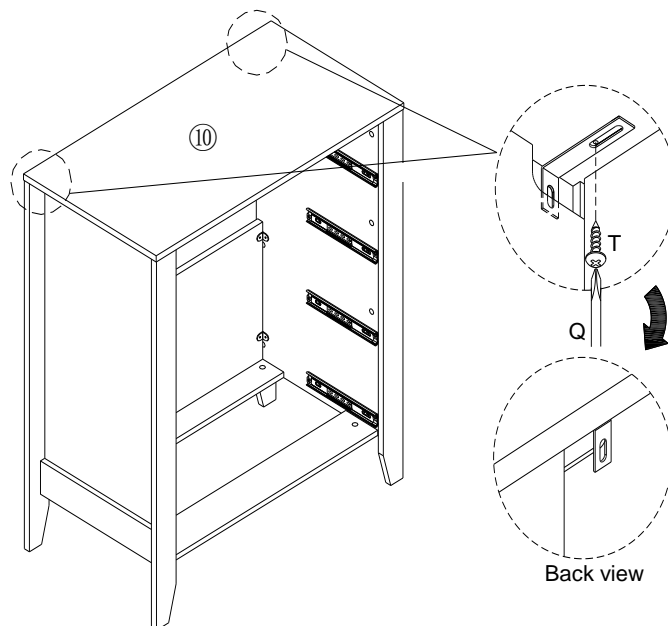


Usage For Restraint Device:

To secure 4 Drawer Chest against wall, attach two Metal Brackets from the Hardware Pack (T) onto the wall and the product, using screws.

Instructions:

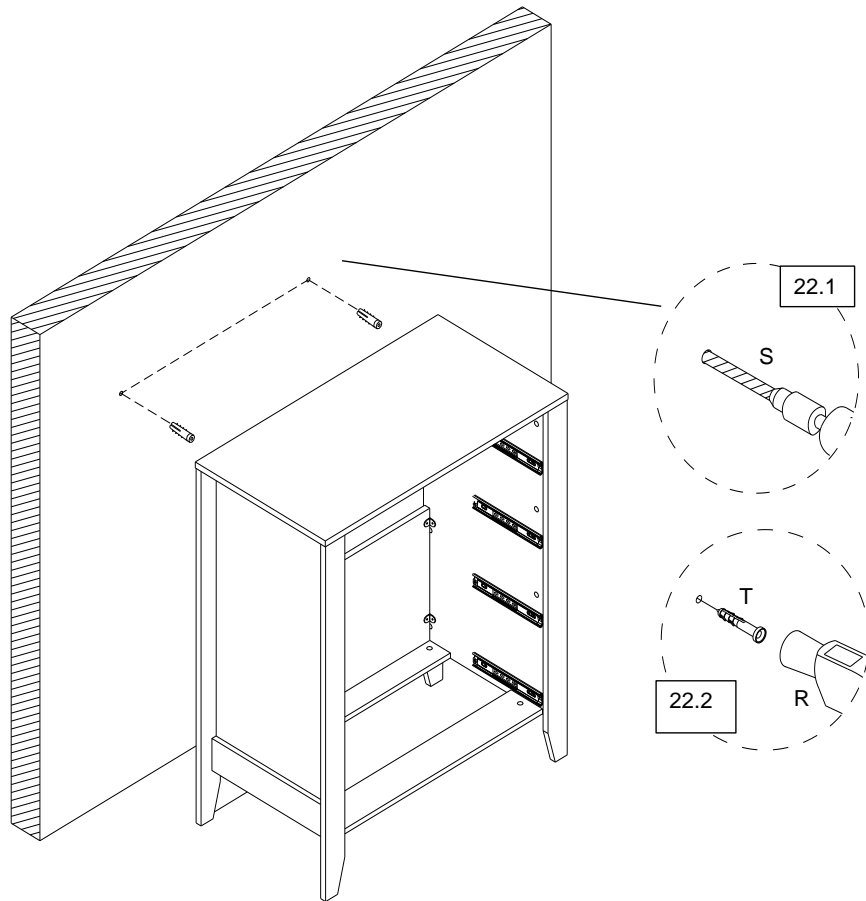
Step 21



Attach the Metal Brackets (T) onto the bottom side of Top Panel ⑩ using Screws M3.5 x 12mm (T) and screwdriver (Q).

Note: There are pre-existing mounting positions on the Panel to attach the Metal Brackets.

Step 22



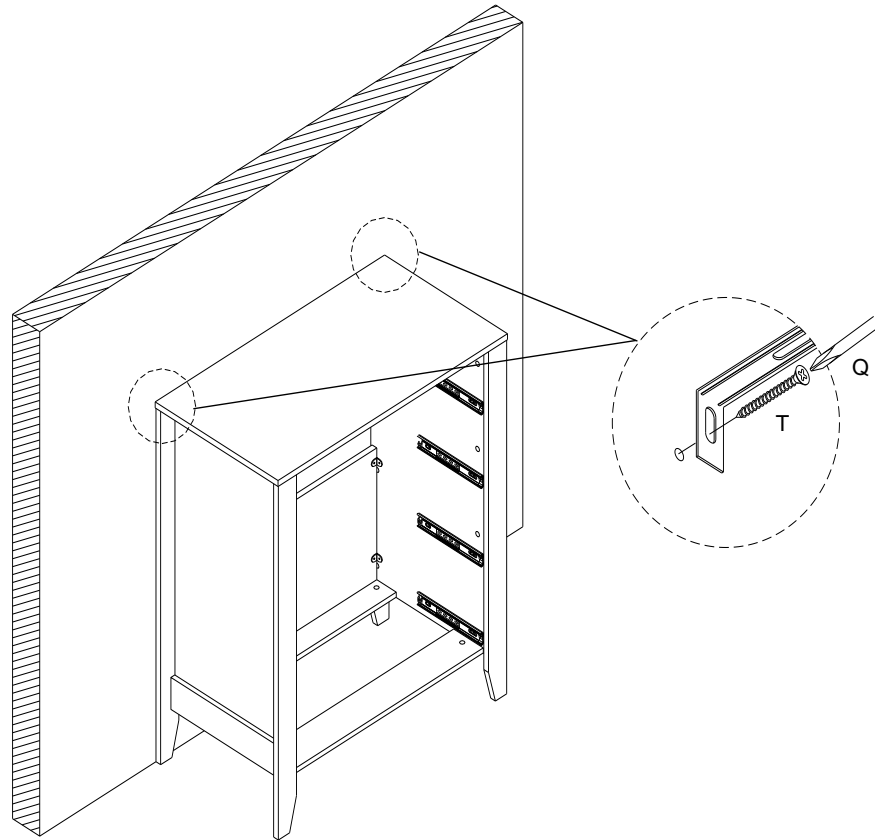
22.1) Drill two holes on the wall at the same height as the Metal Brackets on the 4 Drawer Chest using a Power Drill (S).

Mark the holes by measuring the height of the Metal Brackets with a ruler/measuring tape and mark on the wall to keep them accurate and at the same height.

Note: The Metal Brackets need to be secured to a solid, load bearing surface. Please use a Stud Finder(not supplied) if needed to locate the Wall Frame.

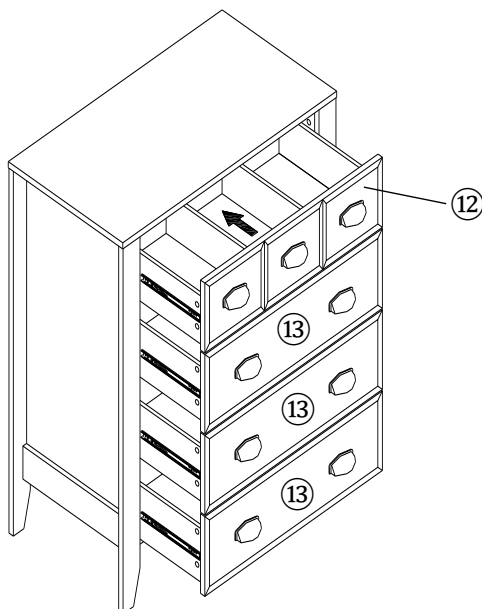
22.2) Insert Wall Plugs (T) into the drilled holes on the wall with Hammer (R).

Step 23



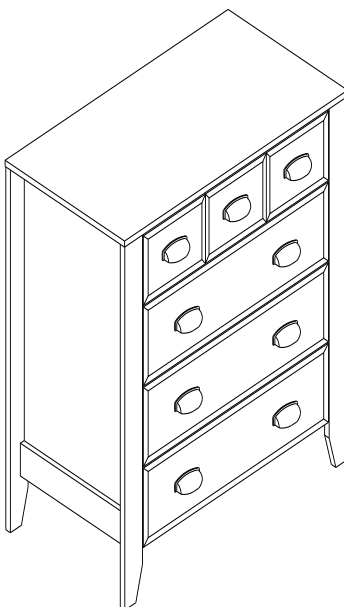
Move the 4 Drawer Chest to the wall, and secure the 4 Drawer Dresser using Screws M4.5 x 38mm (T) and screwdriver (Q).

Step 24













Insert the Drawer Front ⑫ and Drawer Fronts ⑬ into the 4 Drawer Chest.

Step 25



Your 4 Drawer Chest is ready to be used.
This 4 Drawer Chest can only be used on a flat level surface.

Care & Maintenance

- ✓  • Furniture may scratch floors. We recommend using furniture pads to protect your floors.
 - ⊘  • Do not put hot items directly on furniture surface.
 - ⊘  • Do not clean furniture with harsh cleansers or polish.
 - ⊘  • Do not place furniture under direct sunlight.
 - ⊘  • Do not place furniture near heating or cooling vents.
 - ⊘  • Do not write on furniture without a padded barrier to protect the surface.
 - ⊘  • Do not place furniture outside . For indoor use only.
 - ⊘  • Not for commercial use. For residential use only.
 - ⊘  • Stains may be removed with mild soap solution and damp cloth.
 - ⊘  • Children should not climb or jump on the furniture.
-
- ✓  • Dust and pick-up spills using a clean, non-colored, lint-free cloth.