

Please follow these quick and easy instructions to fit your blind. You will need a pencil, ruler, tape measure, hacksaw, scissors, craft knife, drill and the spirit level.

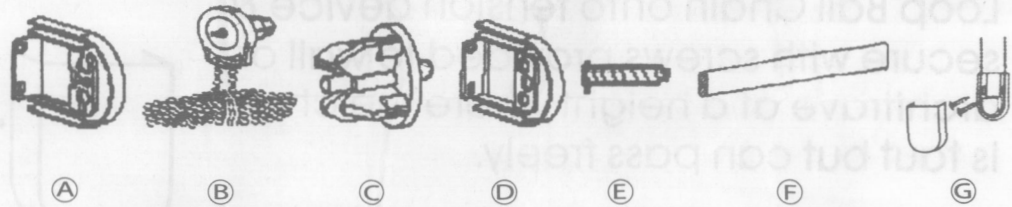


Self-fit roller blind - Assembly and fitting instructions

A Pack contents

This pack contains:

- (A) Wheel Bracket
- (B) Corded Wheel
- (C) Pin Plunger
- (D) Pin Plunger Bracket
- (E) Screws x 4
- (F) Weight
- (G) Safety device

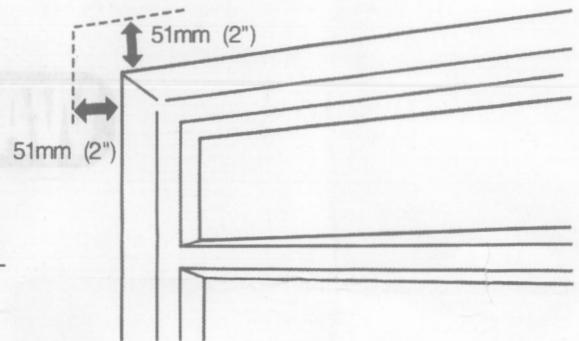


Tools Required: Hacksaw, Tape Measure, Screwdriver, Pencil and Scissors

B Fixing the brackets

For inside recess fixing, screw brackets (A) to window frame.
For outside recess fixing, screw brackets to wall allowing 51 mm (2") clearance on each side and above window recess.

Note: Check brackets are level using the ruler or your blind may not hang correctly.

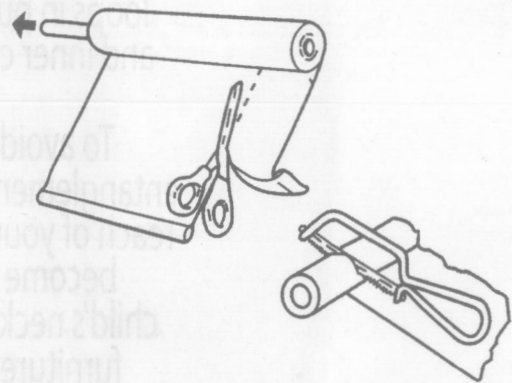


C Measure the gap distance between the brackets

D Cutting the blinds

Unroll the blind onto flat smooth surface. Slide the fabric out of the tube far enough to trim the required amount of fabric. Remove the bottom bar from its pocket. Mark out the measurement less 25mm than the gap between the brackets and draw a dotted line down the length of the blind. Cut the fabric using sharp scissors. Now cut the tube using a fine tooth hacksaw so that it's 5mm wider at each end than the fabric. Finally cut the bottom bar to suit the width of the fabric and re-inset into the pocket.

Note: For Scallop and Eyelets blinds trim the same amount off both sides of the fabric in order to balance the trim at the bottom of the blind.



E Fitting the corded wheel

Place the corded wheel (B) into the desired end of the tube, and the pin plunger (C) into the other end.

Fit the corded wheel B into bracket (A)

F Fitting into the brackets

Now fit the pin plunger end into the wheel bracket (D)

SAFETYWARNING — PLEASE KEEP SMALL PARTS ASAY FROM CHILDREN

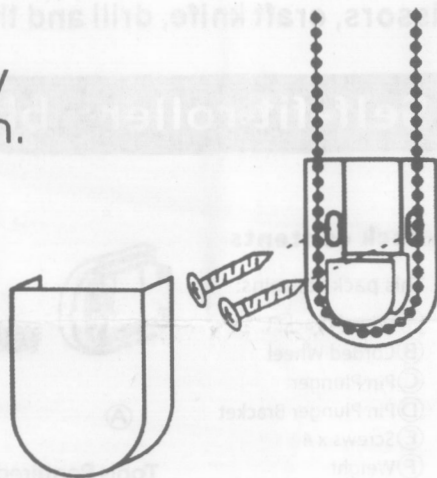
Note : *Actual components may vary in detail from those shown.

G Safety device

A tension device is included with this product & must be installed to avoid any possible strangulation hazard to children.

Loop Ball Chain onto tension device & secure with screws provided to wall or architrave at a height where the chain is taut but can pass freely.

Clip on tension device cover.



WARNING



Young children can be strangled by loops in pull cords, chains, tapes and inner cords that operate the product.

To avoid strangulation and entanglement, keep cords out of the reach of young children. Cords may become wrapped around a child's neck. Move beds, cots and furniture away from window covering cords.

Do not tie cords together.

Make sure cords do not twist and create a loop.