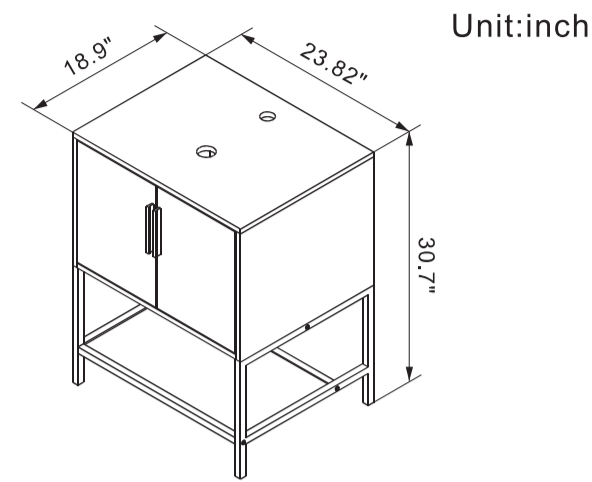


THKFBV083

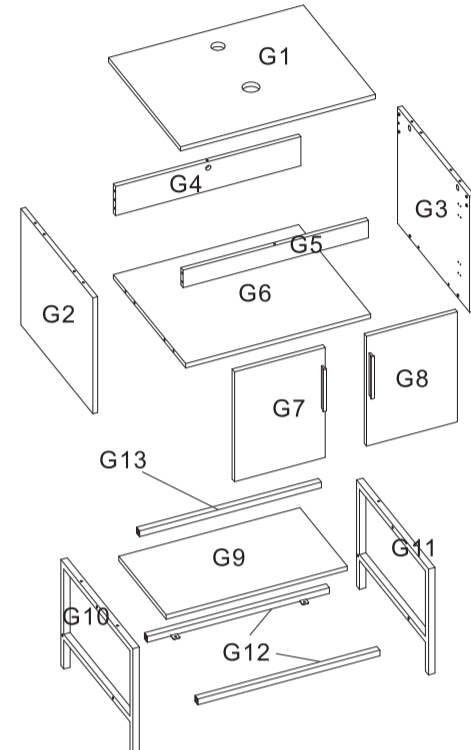
INSTALLATION INSTRUCTIONS

*It includes only Bathroom cabinet

DIMENSIONS



ASSEMBLY DIAGRAM

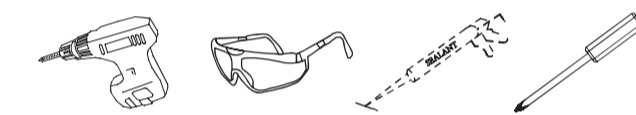


PARTS LIST

PARTS LIST			HARDWARE LIST		
NO.	DESCRIPTION	QTY	NO.	DESCRIPTION	QTY
G1		1	A	CAM SCREW	18
G2		1	B	CAM LOCK	18
G3		1	C	WOODEN DOWEL	10
G4		1	D	CAM LOCK COVER	18
G5		1	E	SCREW 4X14mm	28
G6		1	F	HASCREW	4
G7		1	G	HASCREW M6X30mm	6
G8		1	H	SCREW 3.5X25mm	4
G9		1	I	HINGE	4
G10		1	J	HANDLE	2
G11		1	K	RINGS	1
G12		2			
G13		1			

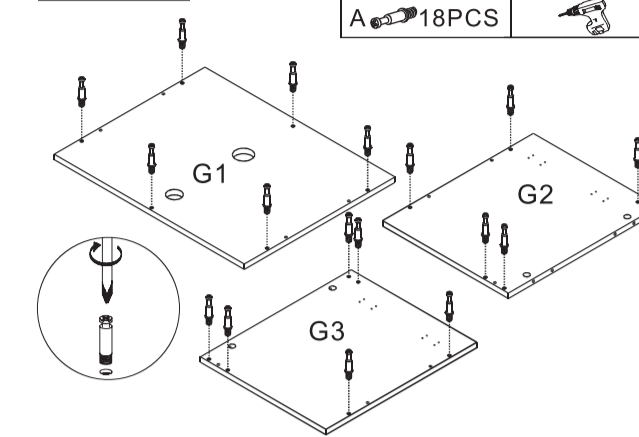
CAUTION: Please confirm the parts list before installation

YOU MAY NEED (NOT SUPPLIED)



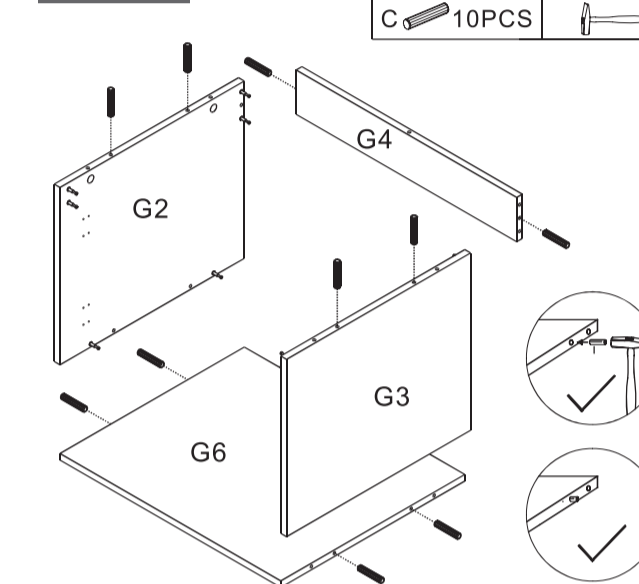
INSTALLATIONS

STEP1



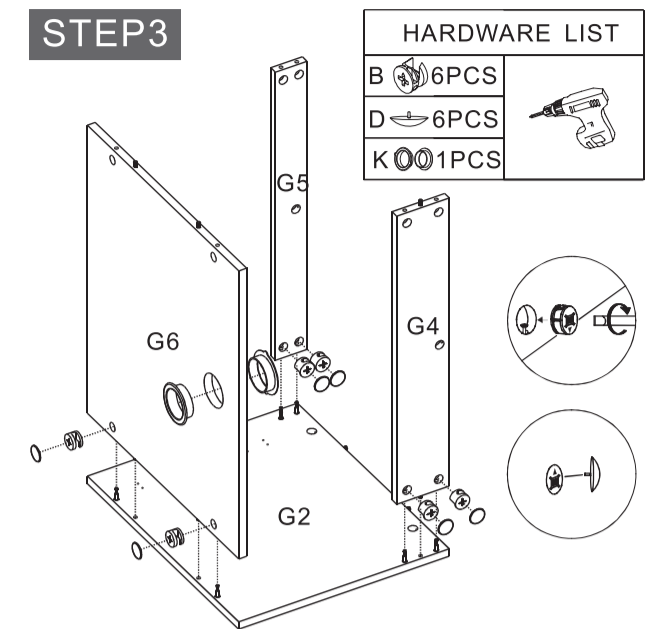
• Insert the Cam Screw into the shelves above.

STEP2



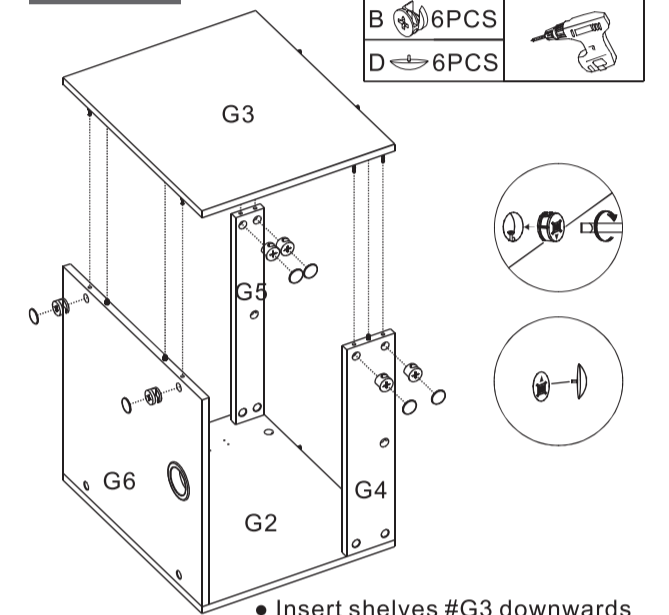
• Insert the wooden dowel pins parallel into the shelves.

STEP3



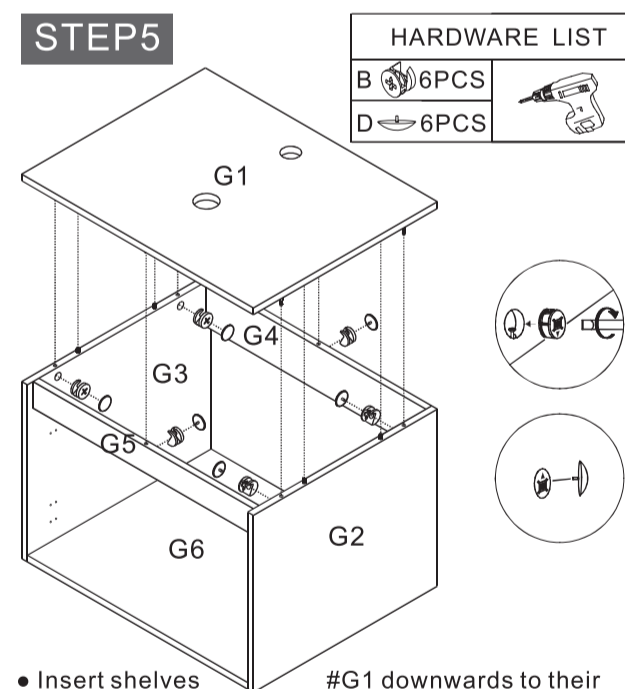
• Insert shelves #G4, #G5 and #G6 downwards to their corresponding positions. Then tighten the cam lock with the cover.

STEP4



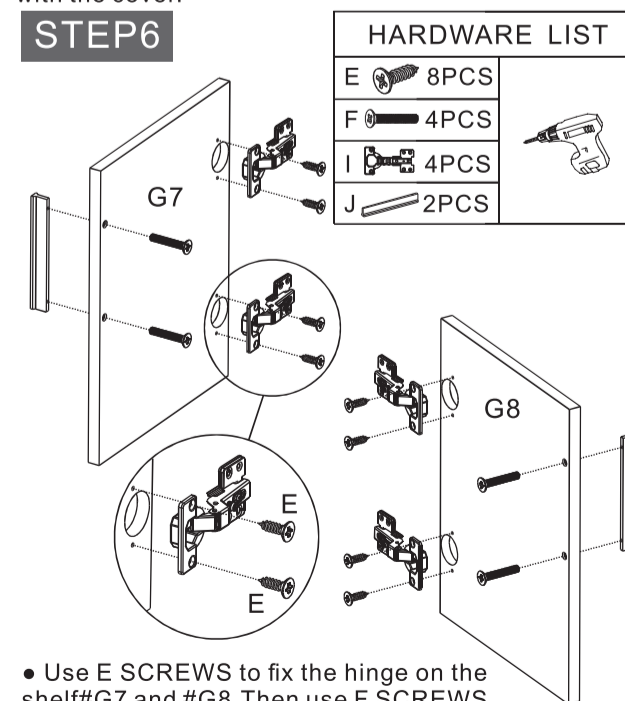
• Insert shelves #G3 downwards to their corresponding positions. Then tighten the cam lock with the cover.

STEP5



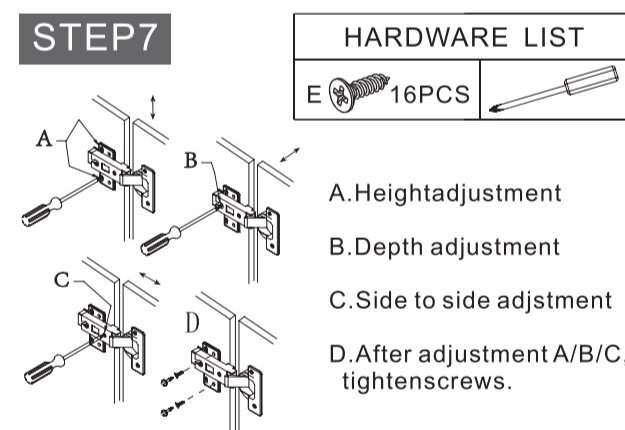
• Insert shelves #G5 downwards to their corresponding positions. Then tighten the cam lock with the cover.

STEP6



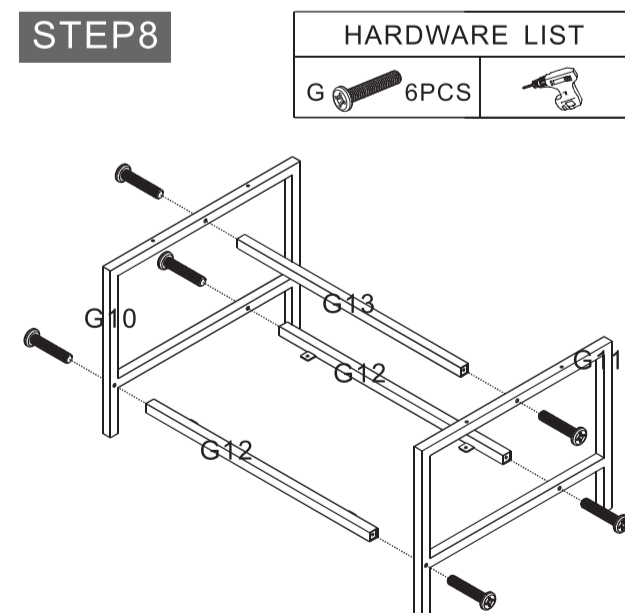
• Use E SCREWS to fix the hinge on the shelf #G7 and #G8. Then use F SCREWS to fix the HANDLE.

STEP7



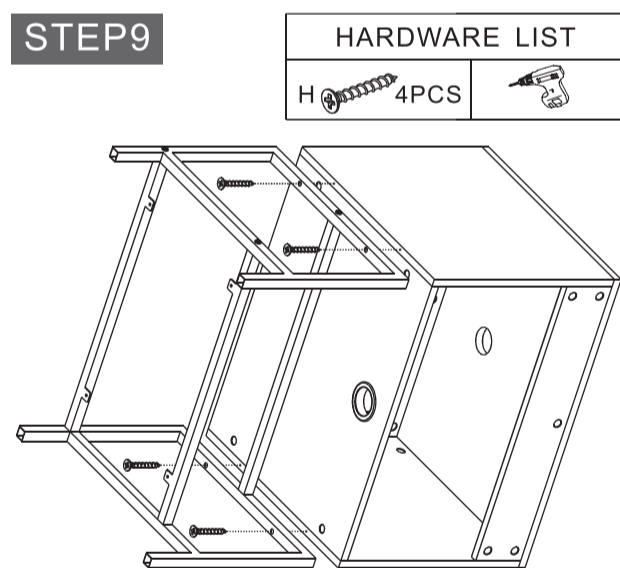
• Use E SCREWS connect the hinge bracket to the cabinet. To ensure proper cabinet alignment, refer to the illustrations for instructions about adjusting the cabinet height, depth and lateral movement.

STEP8



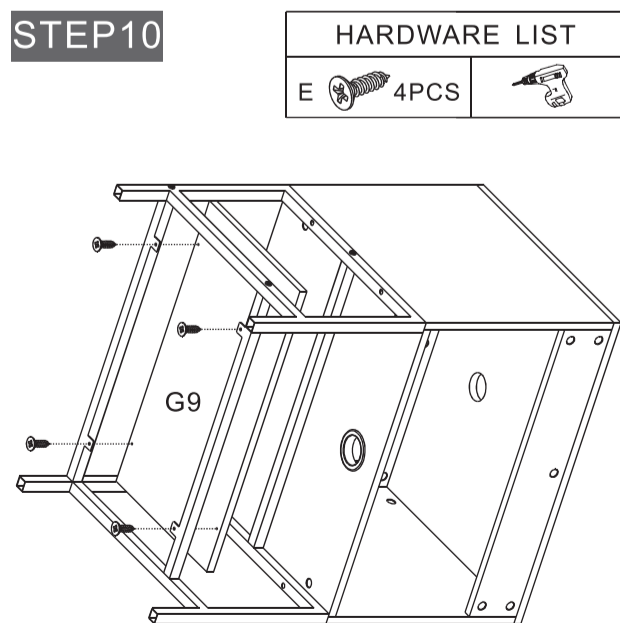
• Use G HASCREW connect the #G10, #G11, #G12 and #G13.

STEP9



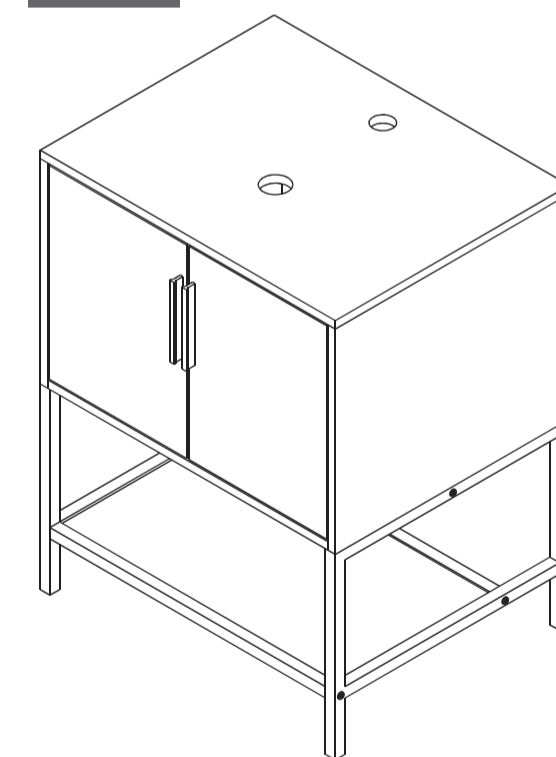
• Place the top of the cabinet on the ground, then place the iron frame installed by STEP 8 upside down on the bottom of the cabinet and connect the iron frame and the cabinet with H screws.

STEP10



• Use E HASCREW connect the #G9.

STEP11



DIMENSIONS

- Many cleansers contain abrasive and chemical substance which is not suitable for cleaning stainless steel, enamel, plating or plastic products. You may use mild cleansers or soaps to clean the surfaces. Wipe any splashes of cleaner solutions from the surface with a clean soft cloth.
- Maintain ventilation in the bathroom and separate the dry area from the damp one if conditions permit. Try to open the door and windows of the bathroom to maintain adequate ventilation.
- To maintain the cabinet door, clean and wipe the door regularly with a soft cloth. Wipe condensation with a dry, soft cloth. Keep away from fires and high temperatures.

FEEDBACK ★★★★★

Thank you very much for purchasing from us.
 We have always been trying to provide the best service and reliable products for every customer.
 We sincerely hope you will be satisfied with our products and leave us FIVE STARS and POSITIVE feedback/review in our page.
 However, accident may happen sometimes, please contact us to resolve any issue before leaving a negative feedback.
 Many thanks and welcome to our shop again!

Contact number: (323)-393-8260
 E-mail: service@eclifeusc.com