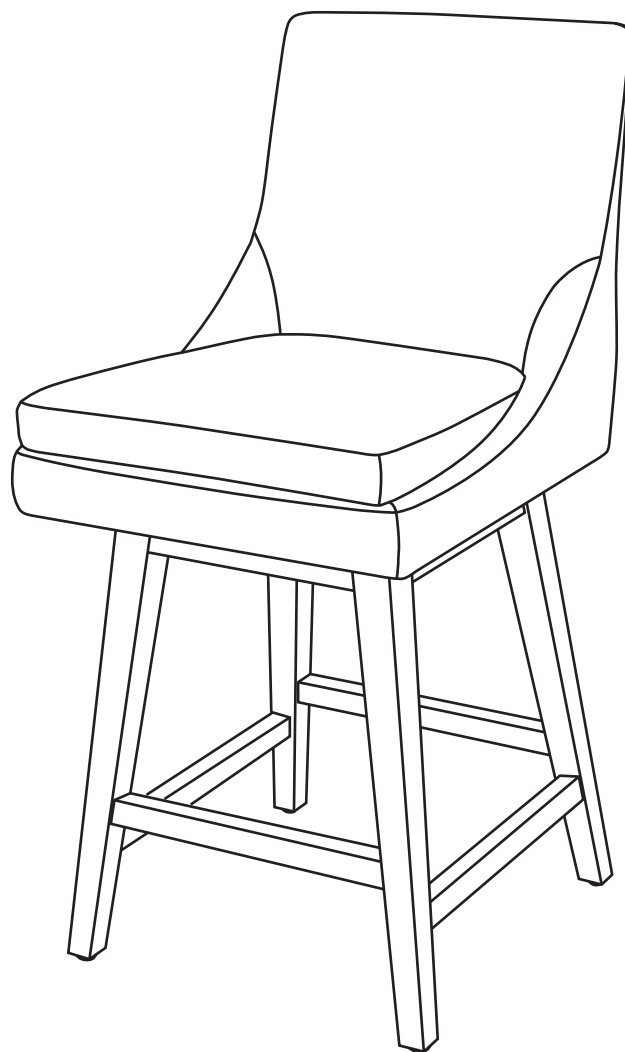


# Y1510H Assembly Manual

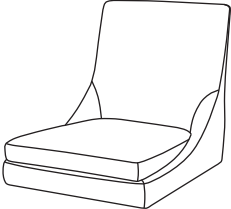
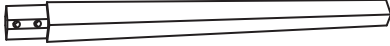

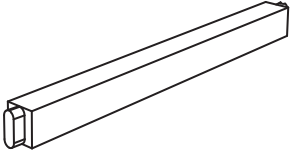
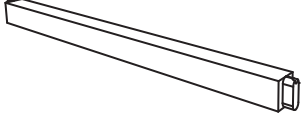


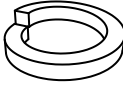



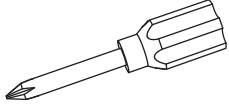
## Swivel Bar & Counter Stool



**▲ CAUTION**

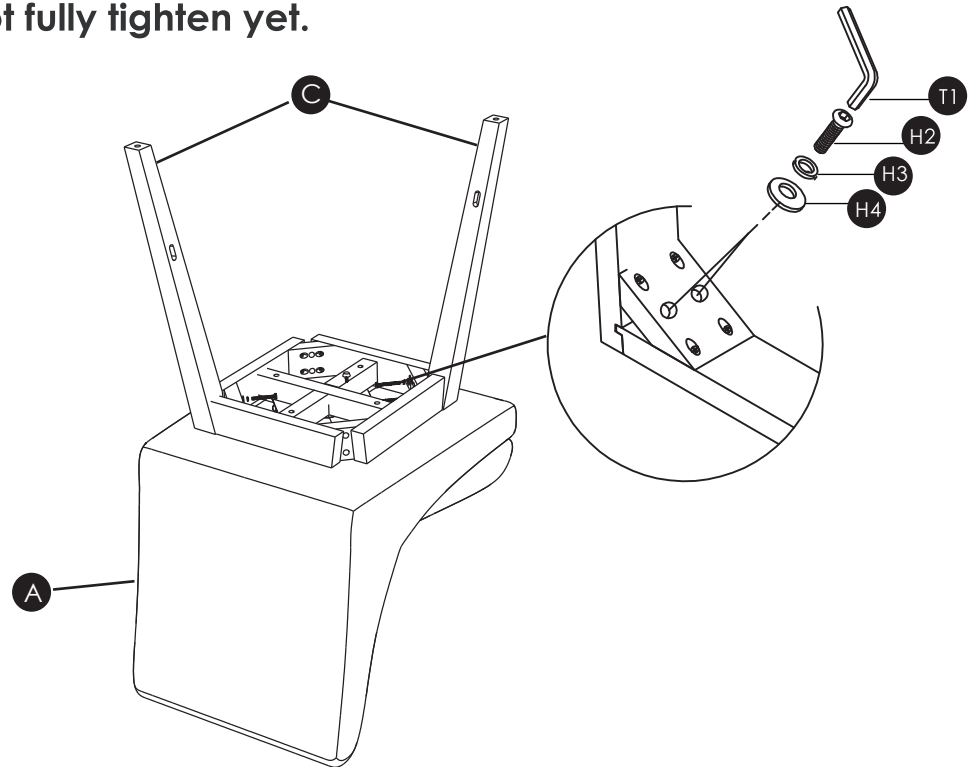
THIS ASSEMBLY MANUAL CONTAINS IMPORTANT SAFETY INFORMATION.

PLEASE READ AND KEEP FOR FUTURE REFERENCE.

<p>AX 1</p> 	<p>B X 2</p> 	<p>C X 2</p> 
<p>DX 2</p> 	<p>E x 2</p> 	<p>H1 x 8</p> 
<p>H2 x 8</p> 	<p>H3 x 8</p> 	<p>H4 x 8</p> 
<p>H5 x 4</p> 	<p>T1 x 1</p> 	 <p>Not Included</p>

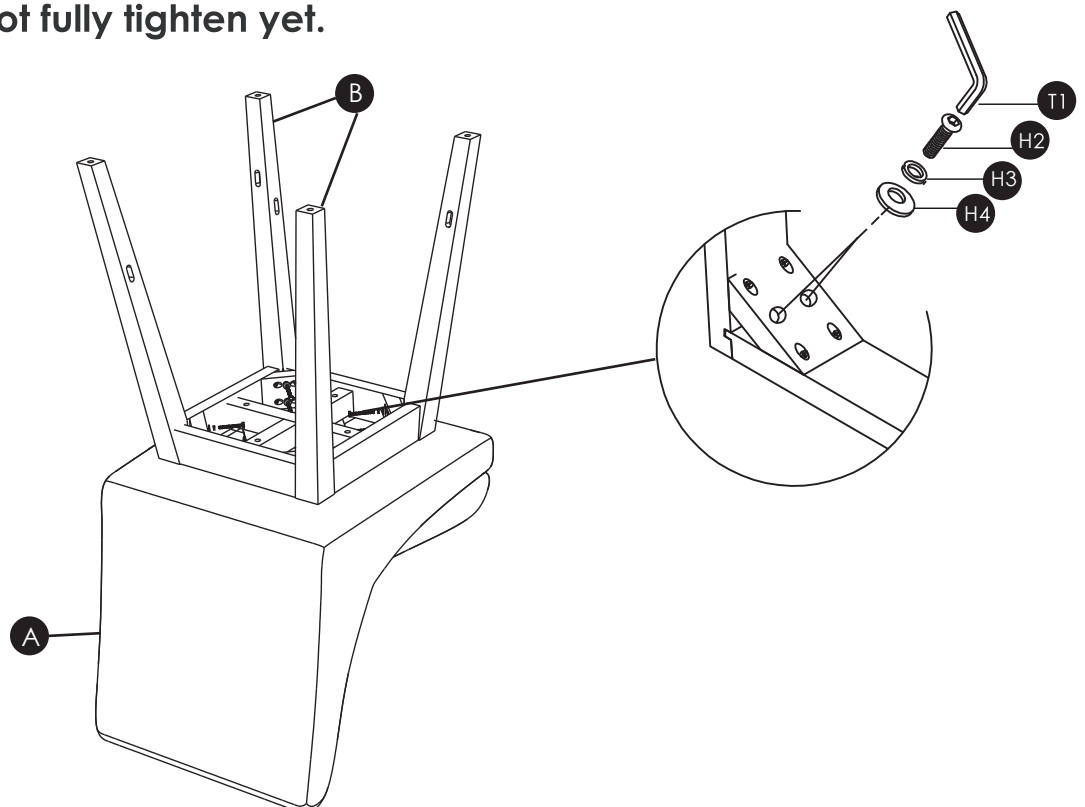
- 1 Attach Legs (C) to Seat (A), using bolts (H2), lock washers (H3), flat washers (H4), and allen wrench (T1).

**Note: Do not fully tighten yet.**



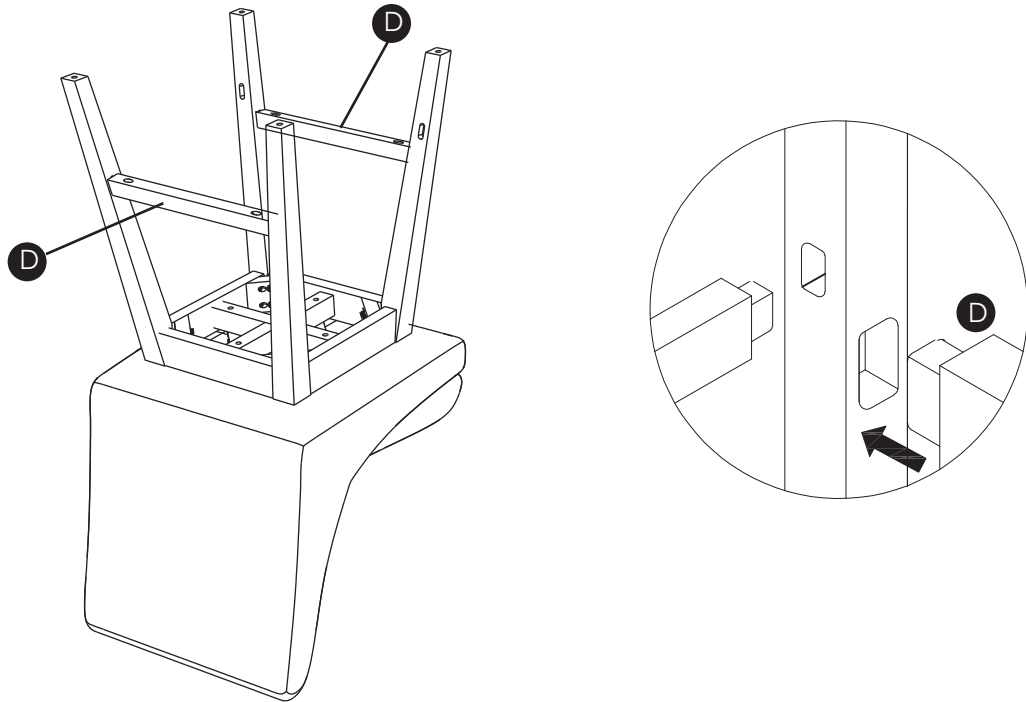
- 2 Attach Legs (B) to Seat (A), using bolts (H2), lock washers (H3), flat washers (H4), and allen wrench (T1).

**Note: Do not fully tighten yet.**



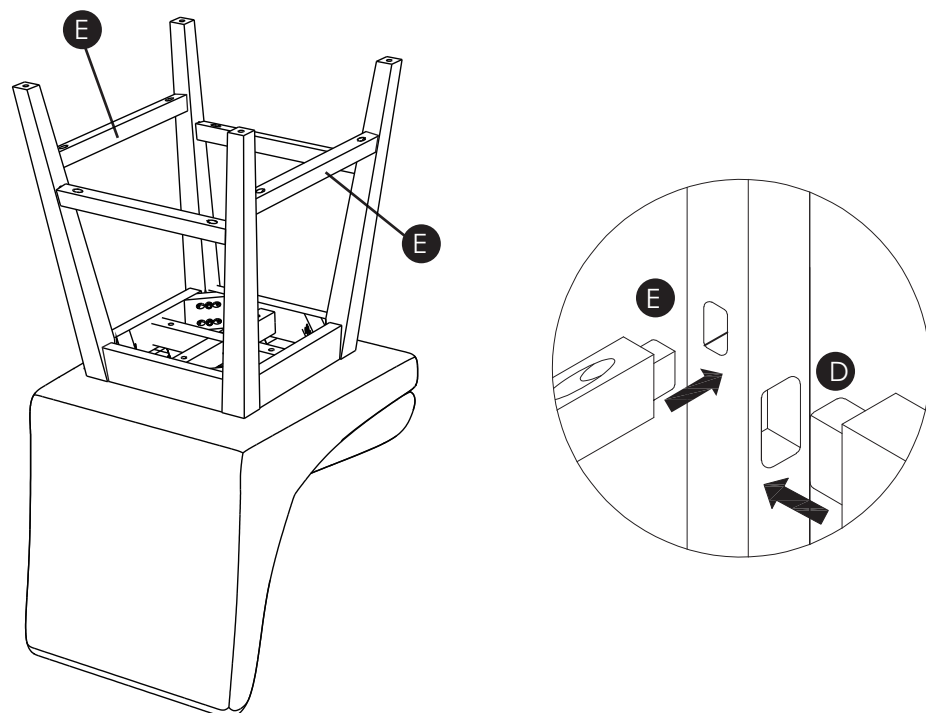
**3** Insert shorter side rails (D).

**Note:** You may need to apply a little pressure to enable the rails to slot into position.

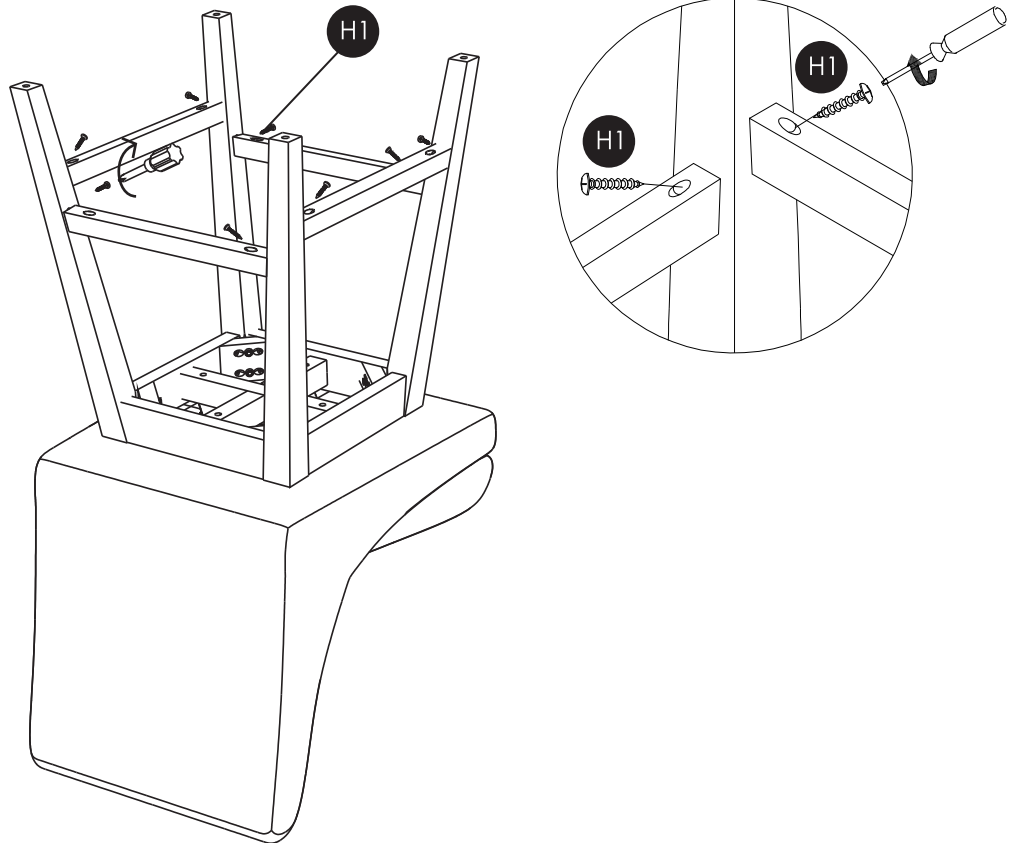


**4** Insert longer side rails (E).

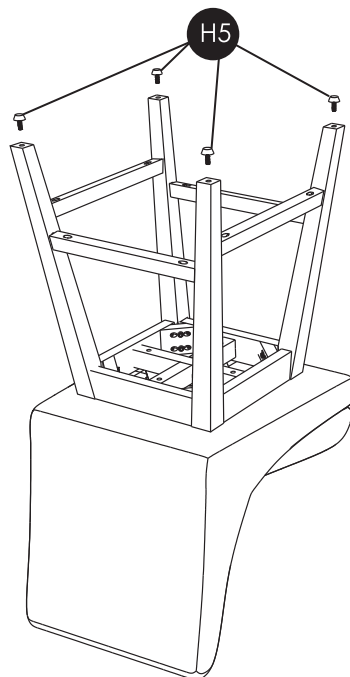
**Note:** You may need to apply a little pressure to enable the rails to slot into position.



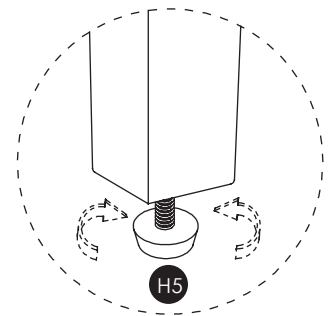
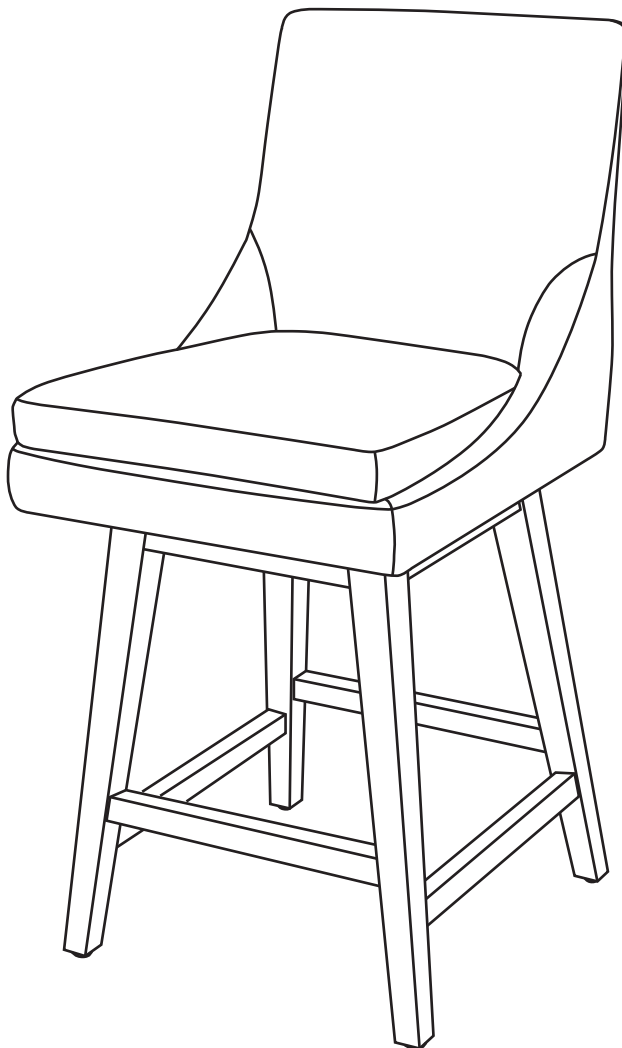
- 5** Attach the rails using screws (H1).  
**Note: Do not fully tighten yet.**



- 6** Attach foot levelers (H5) to Legs (B & C).

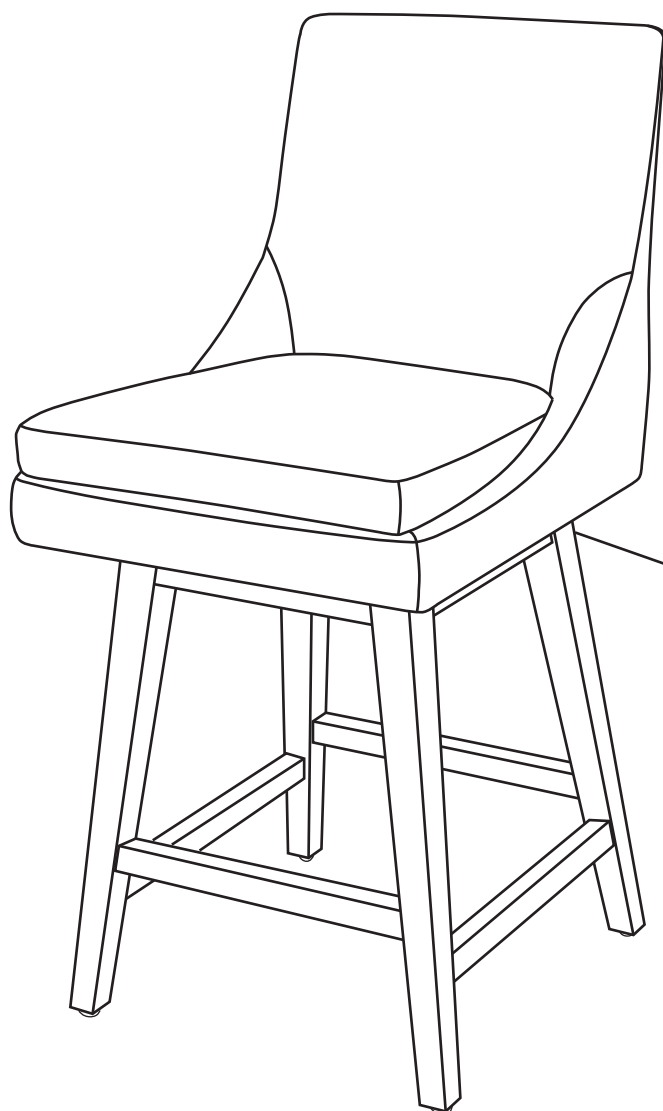


- 7** Turn assembled chair upright and place on a flat surface. Push legs up or down as necessary to level. Once level, tighten all bolts and screws.  
**Note:** Each leg has an adjustable foot leveler to help level your chair.



Foot levelers

**8** Assembly complete. Enjoy.



**CAUTION: PINCH POINT.**  
Please keep hands clear during swivel.