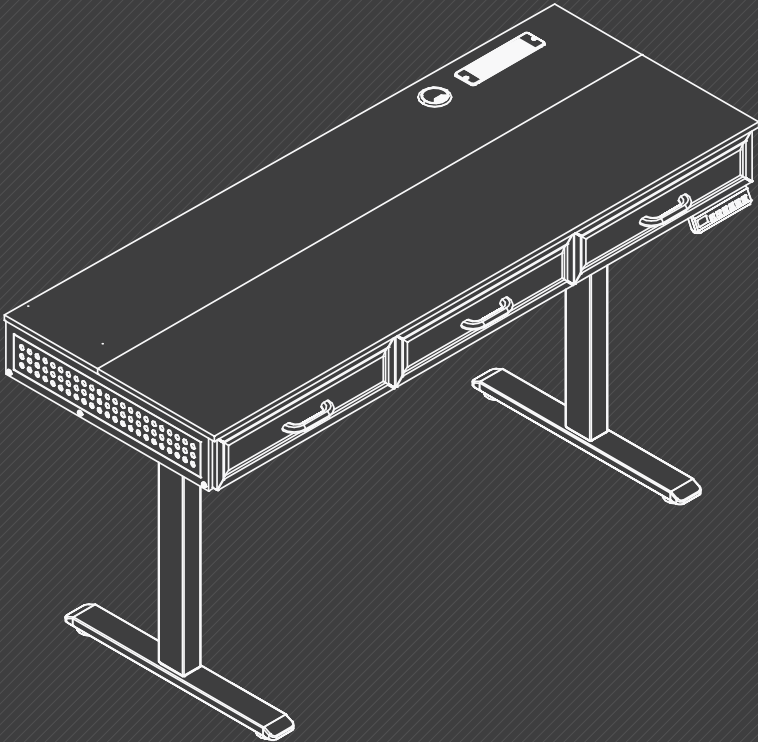




STANDING DESK WITH WOODEN DRAWERS



USER MANUAL



Safety Instructions

Thank You For Choosing Our Product

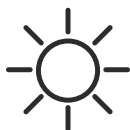
Before assembly, please read this USER MANUAL first, and check according to Parts List to make sure all parts are included.

Feel free to contact us if you have any concerns or questions about your product, we are always ready to help. Your satisfaction is our first priority!

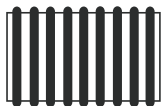
Precautions

BEFORE YOU BEGIN THIS INSTALLATION

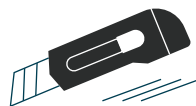
Thoroughly read all instructions for both safety and usage prior to installations.



1. Avoid long-term direct sunlight exposure.



2. Keep away from heat.



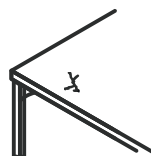
3. Keep away from sharp objects.



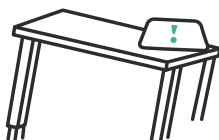
4. Keep infants/children away from assembly parts to avoid choking and suffocation.



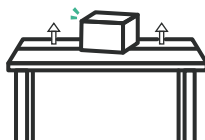
5. Keep away from corrosive substances.



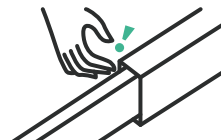
6. Pay attention to avoid over-tightening fasteners, or they may induce cracking within the board.



7. Keep weight on desk balanced for correct operation and longer life of components.



8. Keep area of vertical motion free of obstacles.



9. Do not place hands on or near support bars. Moving parts can crush and cut.

Safety Instructions

SAFETY AND WARNINGS

1. Inappropriate use of this product may cause property damage or bodily injury.
2. Check surroundings on all sides before using the desk. Body parts and property can be crushed if trapped between an immobile obstacle and the desk's range of motion.
3. Ensure the length of power cords are accounted for when operating the desk. Monitors, computers, speakers, anything with a cord that is not long enough for the desk's range of motion could be pulled down or have its wires broken.
4. Items pulled off the desk may cause other items to fall.
5. Please provide this operating manual to any users, installers, or support personnel operating the product.
6. Do not place any objects taller than 20" underneath the desk.
7. Do not open any of the components, the Legs, Control Box, or Switch. There is a danger of electric shock.

USAGE

This height adjustable desk has an electric motor and is designed for use in dry work areas only.

The desk height is adjustable so that it can be positioned at the ergonomically desired height.

These desks are designed only for the purposes included in this manual. They should not be used in environments where there is high humidity or in areas with dampness. Any other environments are at user's own discretion.

Do not move around, crawl or lie under the desk frame. Do not sit or stand on the desk frame.

Children should never use the desk without parental supervision.

Liability: Under no circumstances does the manufacturer accept warranty claims or liability claims for damages caused from improper use or handling of the desk frame other than that which is described in this operation manual.

SETUP AND INSTALLATION

Once the desk has been assembled, adjust the feet so that the desk is level and does not shift its position.

After this, connect the desk to the 110v or 220v outlet and the desk is ready for use.

Check that no cables can get twisted or jammed.

Choose a proper placement for the desk that's a safe distance from window frames, radiators and/or furniture so that people do not get lodged or trapped by the desk.

When moving the desk after it has been fully assembled, DO NOT lift the desk by the desktop.

Lifting this way can stress the fasteners connecting the desk base to the desktop.

Lower the desk completely and lift the desk by grabbing the top of the desk base or by removing the desktop first.

WASTE DISPOSAL



This marking indicates that this product should not be disposed with other household wastes. To prevent possible harm to the environment or human health from uncontrolled waste disposal, recycle it responsibly to promote the sustainable reuse of material resources. To return your used device, please use the return and collection systems or contact the retailer where the product was purchased. They can take this product for environmental safe recycling.

Description of faults

| Troubleshooting | Trouble Code | Description | Troubleshooting |
|---------------------------|--------------|--|--|
| Resistance Protection | E02 | If resistance is suddenly encountered during operation, the LED display will show and flash "E02"; the table will stop moving and then move 40mm in the opposite direction, and the LED display will show the actual height. | Clean up the obstruction in the lifting process, and then keep pressing the "⊕" button until it displays "r-E5". Then, you can release the button so that the standing desk can be used normally after being reset. |
| Overheat Protection | Hot | Continuous long-time operation may cause this protection to be activated. | Re-energize or wait at least 15 minutes before use. |
| Motor Abnormal Protection | E10 | In any case of disconnection/loosening of wires, the motor fails, and the LED display flashes "E10". | After disconnecting the power, recheck and make sure that the connection between the motor and the controller is secure, and then reapply the power. |
| Overload Protection | E20 | When the load exceeds the set value (under normal circumstances, the load should be controlled under 70 kg), "E20" is displayed and flashes on the LED display. | If this alarm occurs during upward operation, remove some of the weight on the table and run again; if this alarm occurs during downward operation, disconnect the power, remove some of the weight on the table, and re-energize the power. |
| Over-voltage Protection | E31 E32 | <ol style="list-style-type: none"> When the input voltage of the controller is lower than 34V, the LED screen displays "E31". When the input voltage of the controller exceeds 34V, the LED screen displays "E32". | After power failure, recheck and make sure that the connection between the power supply and the controller is solid, and then re-power it; when the voltage drops to 34V, the system automatically recovers, and the LED displays the actual height. |

Description of faults

In the "E10, E20" alarm state or run to the lowest height position, long press the Ⓞ key for 3 seconds, and release the key after display (Reset), the standing desk will start to run down to the end and bounce a certain height, reset will be completed and the minimum height will be displayed.

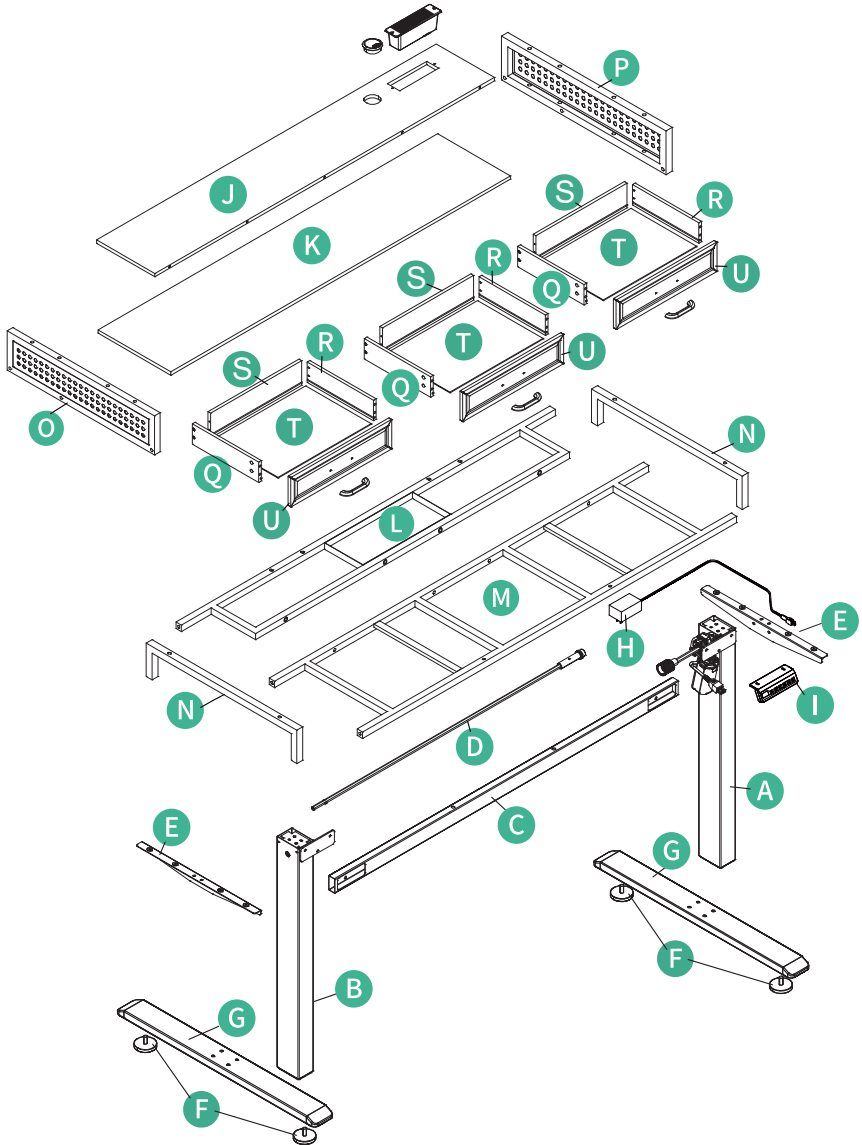
If the table legs are not aligned but can be moved up and down, please contact the after-sales service in time. Unscrew the connecting nut, rotate the connecting rod and plastic-covered hexagonal rod to manually adjust the table legs to the initial state, and reinstall the fixed coupling rod.



Problems You May Encounter

| PART | PROBLEM | SOLUTION |
|---------------|---|--|
| DESKTOP | The table is uneven. | Loosen the screws, and adjust the corner of the table until it is stable, then tighten all of the screws. |
| | Wrong hole position. | Check if the panel is reversed. |
| | Uneven hole position. | Rotate each screw just a few turns. When all screws are threaded, go back and tighten all remaining screws. |
| | The desktop could not be lifted. | Check if overloaded, max loading: 70kg. Find after sales in time. |
| LEGS | Strange sound and shaking, incorrect assembly. | Check if all of the screws are 100% tightened. |
| | Only one side moves up and down. | Check whether the coupling is connected to two ports at both ends and whether the black circlip is still there. If the coupling rod can be pulled out, it means that it is not installed and not fixed. Reassemble the coupling rod, and reset the desk. |
| | Uneven legs but the desk can go up and down. | Find after sales in time. Remove the hexagonal coupling rod and rotate the coupling rod to adjust the table leg manually to the initial state. |
| MEMORY HEIGHT | Memory position button not work. | Once the desk is reset and displays 76, your desk is now ready to use. |
| ACCESSORIES | Not enough or inconsistent. | Find after sales in time. |
| MOTOR ISSUE | Error code E10 . Motor doesn't work. | Find after sales in time. |
| | Overwork (Duty cycle: Max 5min ON / 15min OFF) | Restart it after switching off for 15 mins for overworking. Find after sales in time. |
| POWER ISSUE | Handset doesn't display, and power indicator light is not on. | Find after sales in time. |

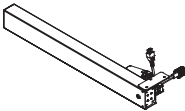
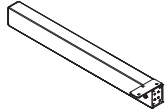
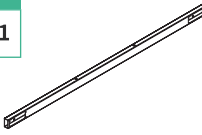

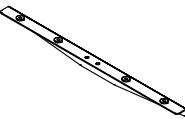
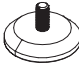
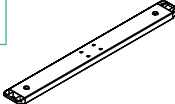
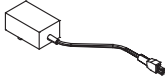
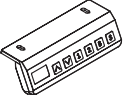
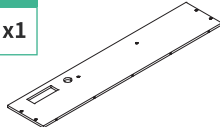
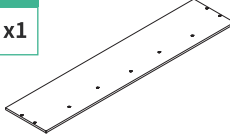
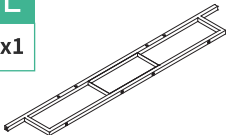
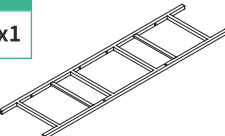
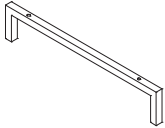
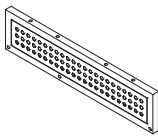
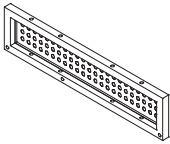
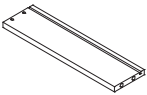
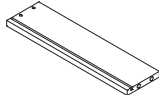
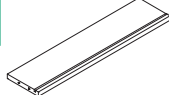
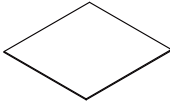
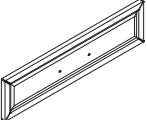
Disassembly Diagram



Parts List

For ease and safety, we recommend two people for assembly.



| | | | |
|---|---|---|--|
| A x1  | B x1  | C x1  | D x1  |
| E x2  | F x4  | G x2  | H x1  |
| I x1  | J x1  | K x1  | L x1  |
| M x1  | N x2  | O x1  | P x1  |
| Q x3  | R x3  | S x3  | T x3  |
| U x3  | V x1 <div data-bbox="380 1356 520 1444">Failure Alert Sticker</div> | | |

Parts List

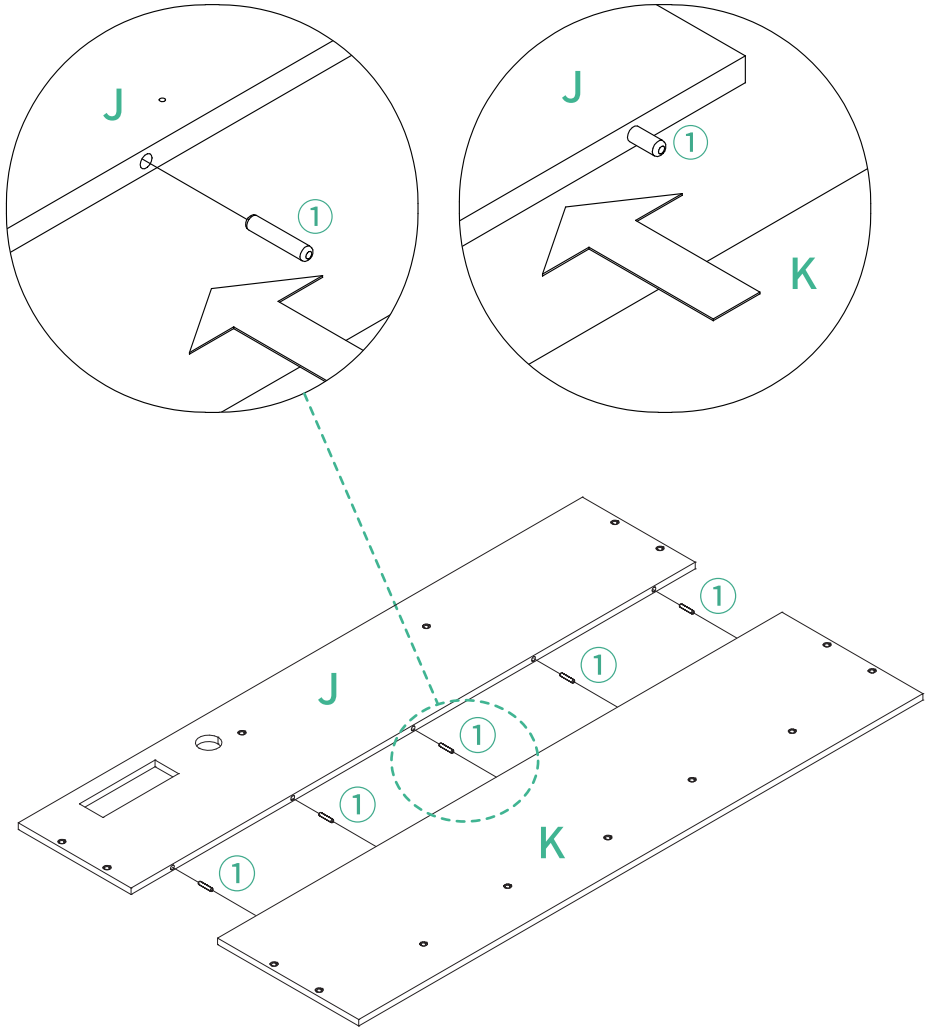
For ease and safety, we recommend two people for assembly.



| | | | |
|---|---|---|---|
| <p>① x6</p> <p>Φ6x40</p> <p>1 Spare</p> | <p>② x9</p> <p>M6x14</p> <p>1 Spare</p> | <p>③ x3</p> <p>M4x12</p> <p>1 Spare</p> | <p>④ x7</p> <p>M6x8</p> <p>1 Spare</p> |
| <p>⑤ x9</p> <p>M6x32</p> <p>1 Spare</p> | <p>⑥ x5</p> <p>M6x8</p> <p>1 Spare</p> | <p>⑦ x29</p> <p>55": M6x28 48": M6x23</p> <p>3 Spares</p> | <p>⑧</p> <p>x4</p> |
| <p>⑨ x3</p> | <p>⑩ x1</p> | <p>⑪ x1</p> | <p>⑫</p> <p>x1</p> |
| <p>⑬ x14</p> <p>M6x40</p> <p>2 Spares</p> | <p>⑭ x14</p> <p>Φ12</p> <p>2 Spares</p> | <p>⑮ x14</p> <p>ST4x35</p> <p>2 Spares</p> | <p>⑯ x3</p> <p>M6x50</p> <p>1 Spare</p> |
| <p>⑰ x1</p> | <p>⑱ x1</p> | <p>⑲ x3</p> <p>ST4x10</p> <p>1 Spare</p> | <p>⑳</p> <p>x4</p> <p>1 Spare</p> |
| <p>㉑ x7</p> <p>ST4x20</p> <p>1 Spares</p> | | | |

Assembly Instructions

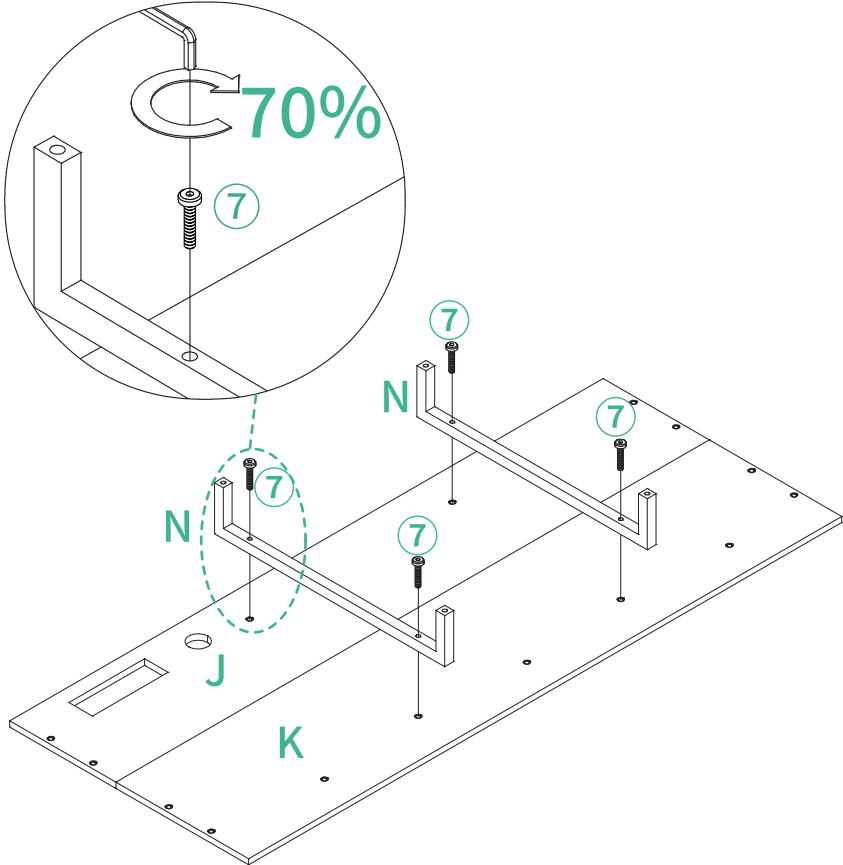
1



Assembly Instructions

2

For later easier installation, the screws ⑦ need to be tightened only 70% locked.

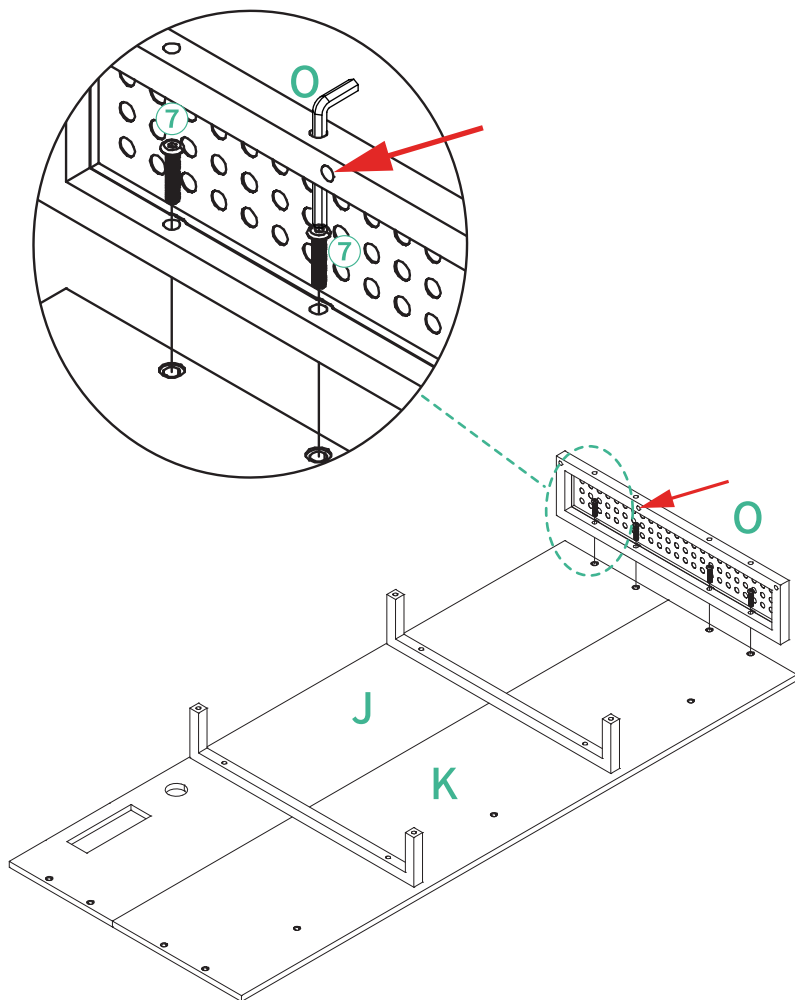


| | | | | | |
|---------|---|---------|---|---------|---|
| ⑦ x4 |  | ⑪ x1 |  | N x2 |  |
|---------|---|---------|---|---------|---|

Assembly Instructions

3

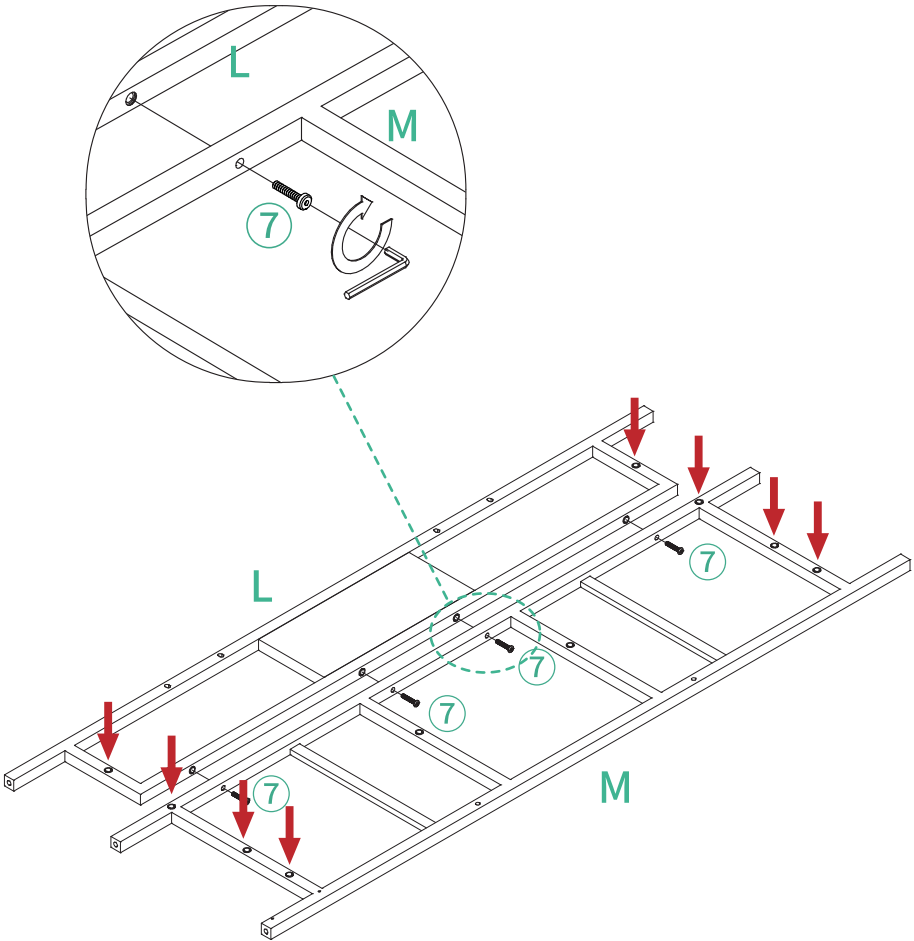
Please note the orientation of the bracket O: ensure that the holes shown by the arrows are above the table board J. Incorrect mounting will result in the steel frame being unable to be mounted.



Assembly Instructions

4

The marked holes should face the same side. Incorrect mounting will result in the leg being unable to be mounted.



7
x4



11
x1



L
x1



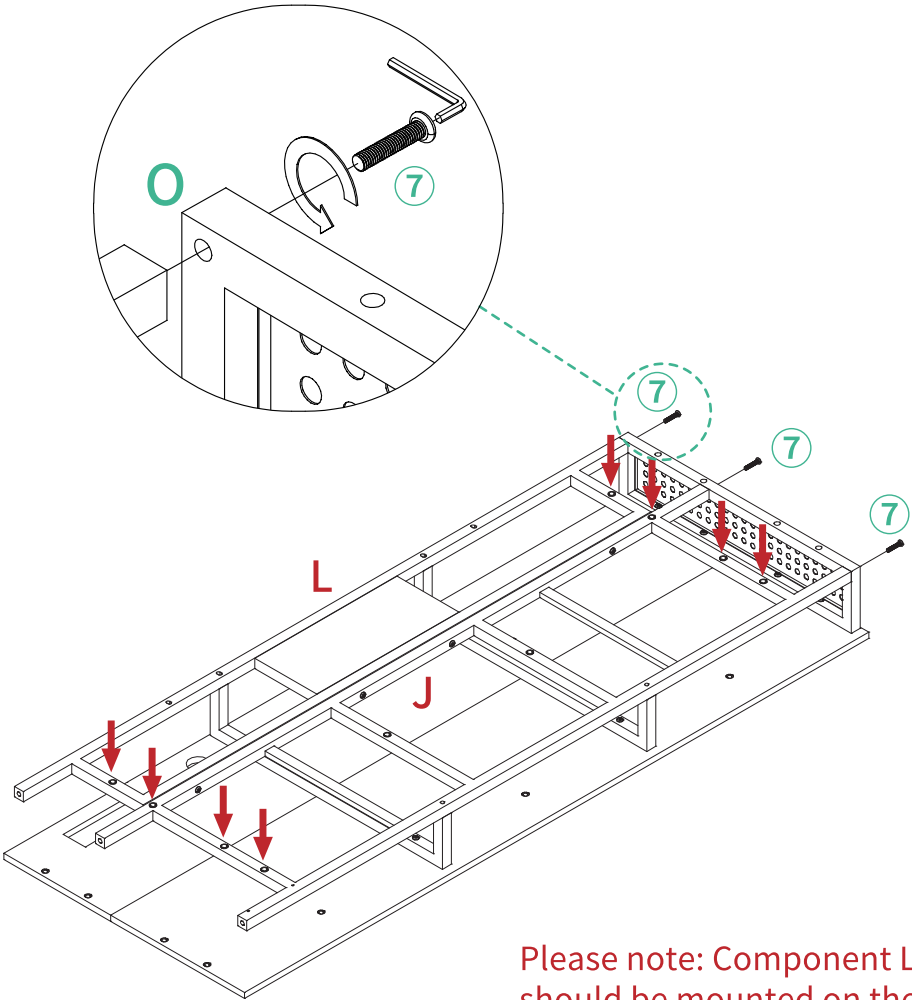
M
x1



Assembly Instructions

5

The marked holes should face the same side. Incorrect mounting will result in the leg being unable to be mounted.



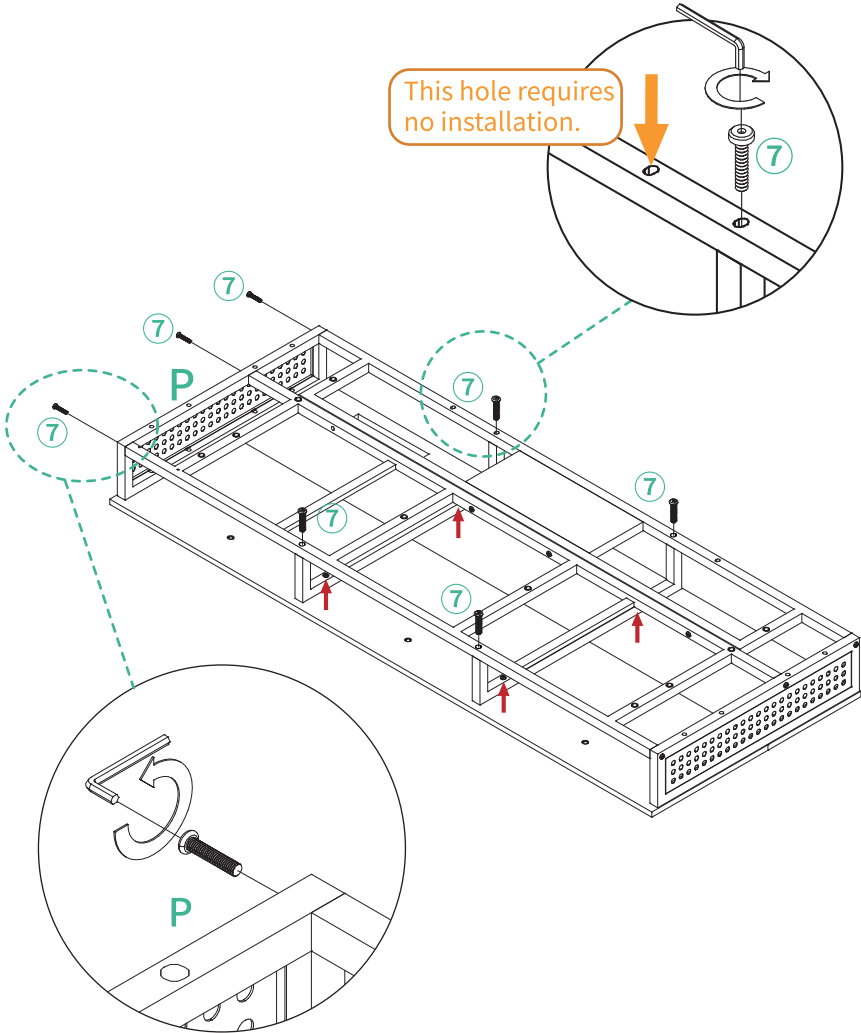
Please note: Component L should be mounted on the top of one side of the table board J.



Assembly Instructions

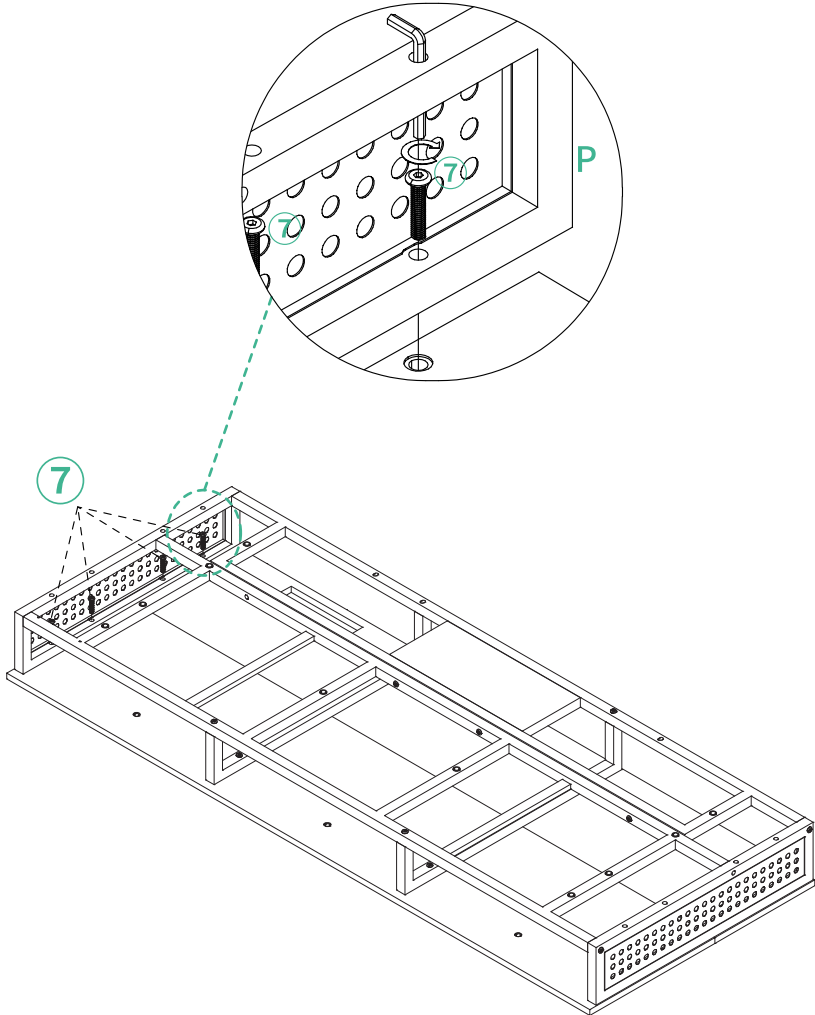
6

Tighten screws ⑦ as shown in the chart. Then, you can tighten all screws ⑦ in the step 2 to 100% fully locked.



- | | | | | | |
|---------|--|---------|--|---------|--|
| ⑦ x7 | | ⑪ x1 | | P x1 | |
|---------|--|---------|--|---------|--|

7

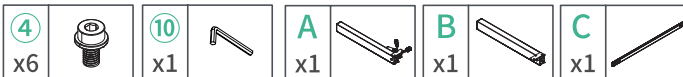
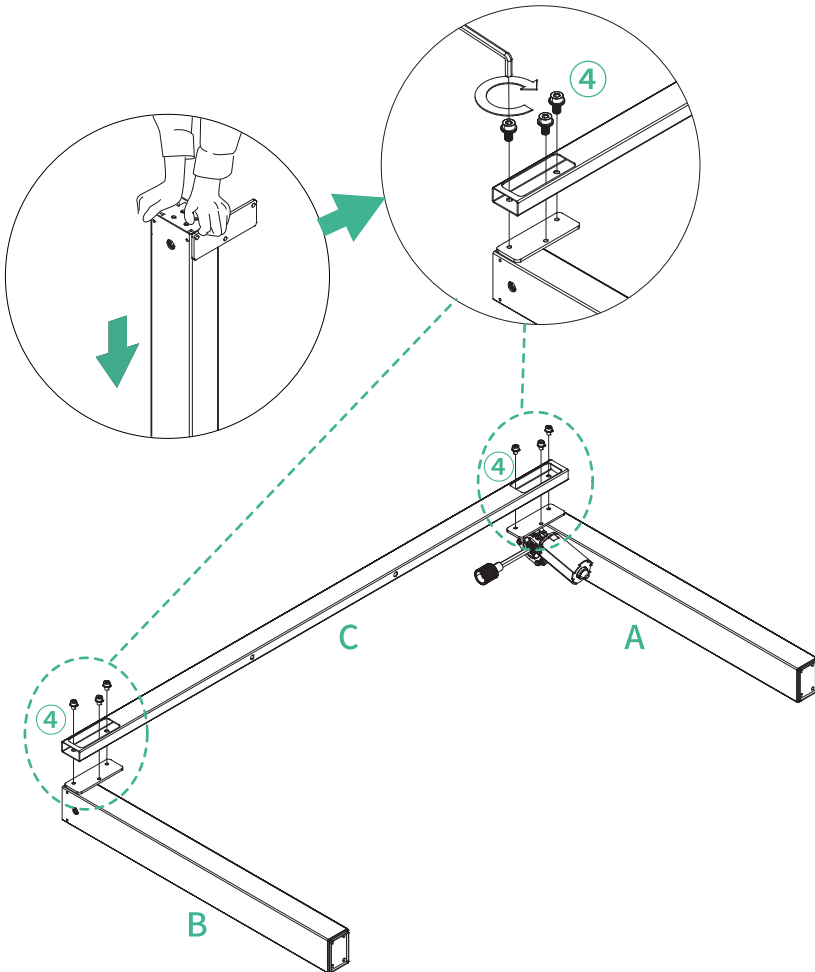


Assembly Instructions

8

Use part C to connect leg A and leg B with screws ④.

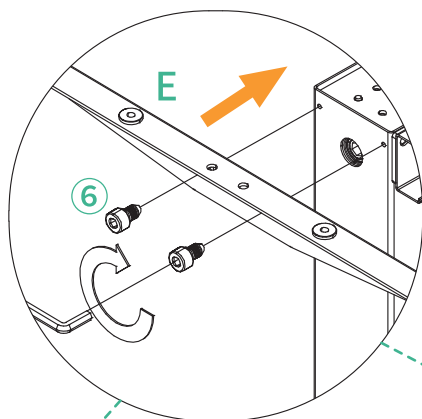
Note: Before installing the table legs, please check whether the height of the two legs is the same, if not, please press the table legs as shown in the picture to make their height consistent, otherwise it may affect the product lifting function.



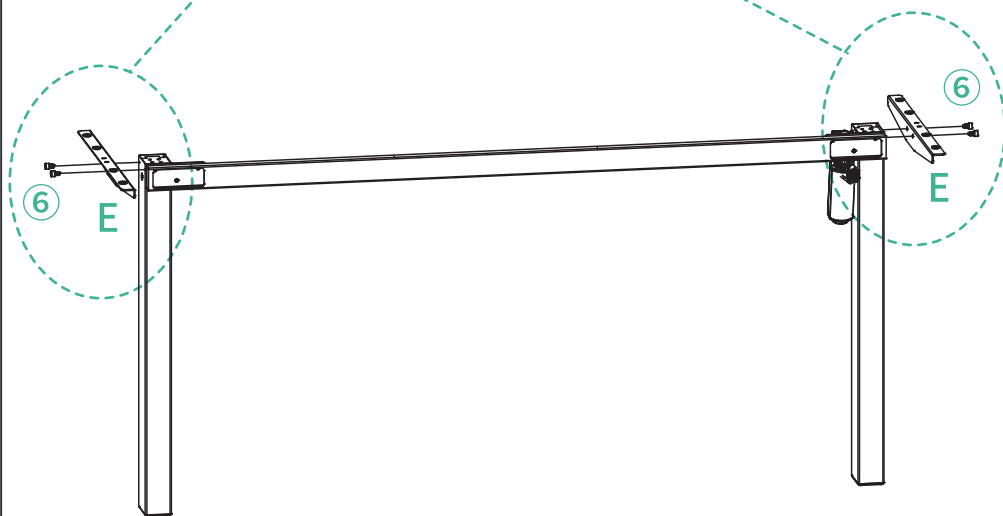
Assembly Instructions

9

Part E must be fitted correctly, or it will affect subsequent installations and lead to re-installations.



Part E needs to be installed facing the inside as shown in the figure.

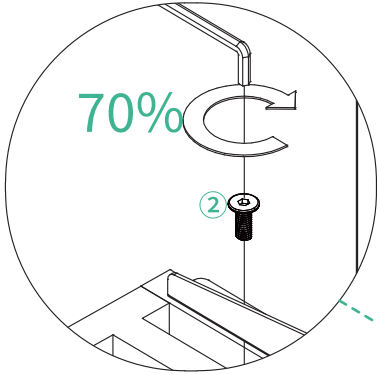


| | | | | | |
|---------|---|----------|---|---------|---|
| 6 x4 |  | 10 x1 |  | E x2 |  |
|---------|---|----------|---|---------|---|

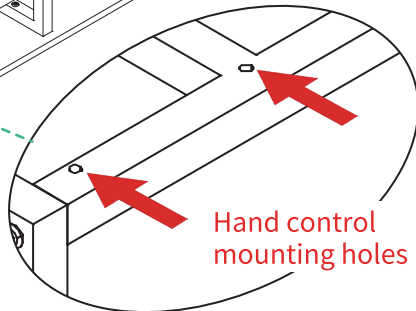
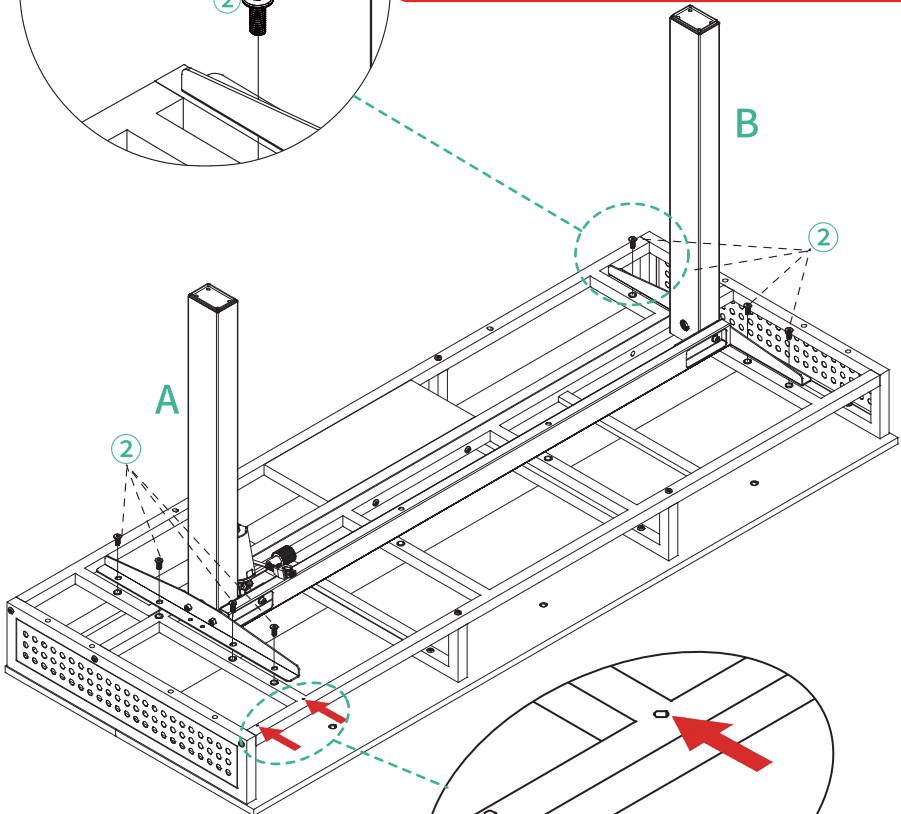
Assembly Instructions

10

Install the table leg A on the side near the hand control mounting holes. Otherwise, the controller will not be installed.



Tighten screws ② as shown in the chart. For later easier installation, the screws ② need to be tightened only 70% locked.



Assembly Instructions

11

Secure part C & M with screws ⑯.

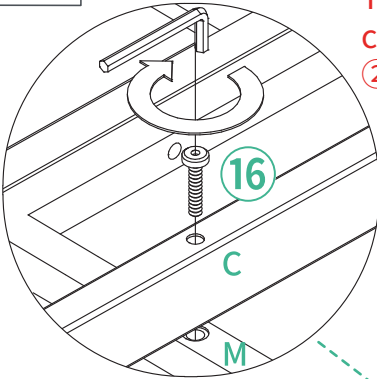
⑯

x2

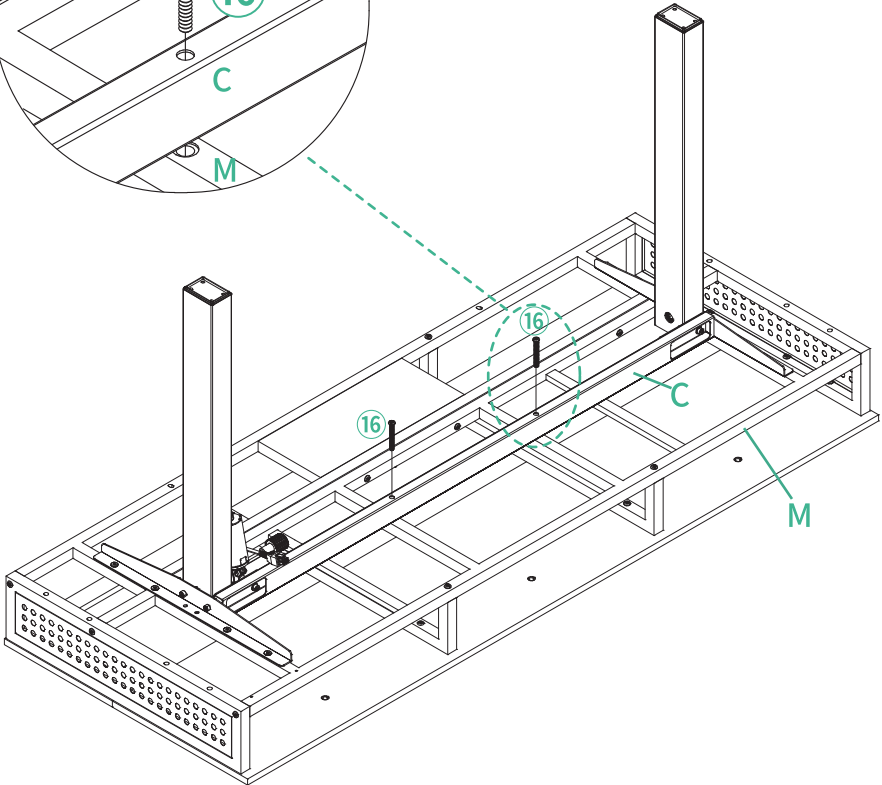


⑩

x1



Tighten screws ⑯ as shown in the chart. Then, you can tighten all screws ② in the step 10 to 100% fully locked.



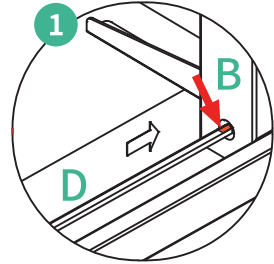
Assembly Instructions

12

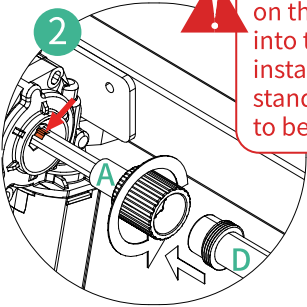


NOTE: If you experience a situation where connecting shaft D cannot be inserted left or right to the table legs, please do the following steps: Insert the connecting shaft D into leg B and rotate it at an angle until it can be appropriately inserted in

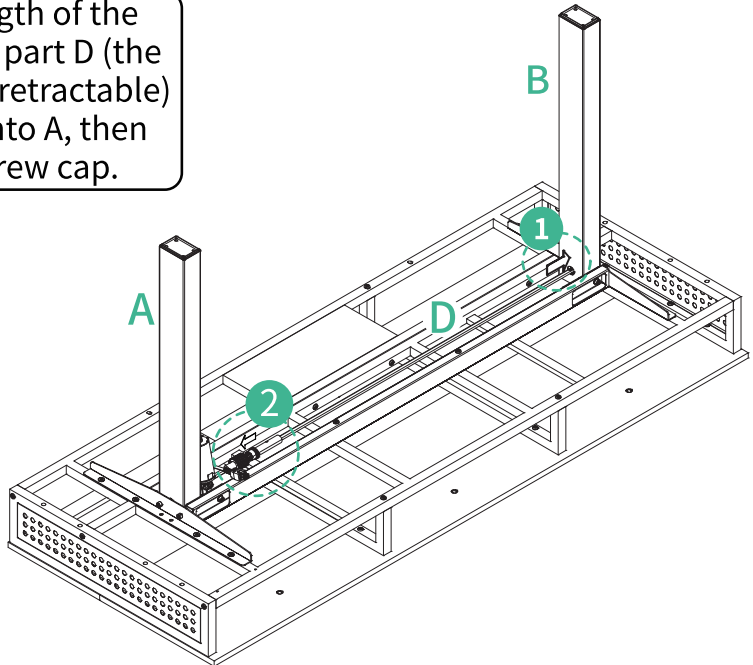
Please note: Do not pull out the hexagonal rod on motor leg A, as this will affect the installation. Besides, make sure that the marking point on the hexagonal rod is inserted into the motor fully during installation, otherwise the standing desk will not be able to be lifted properly.



Insert part D into the hole in part B, making sure that the marked point of part D is on the inside of part B.

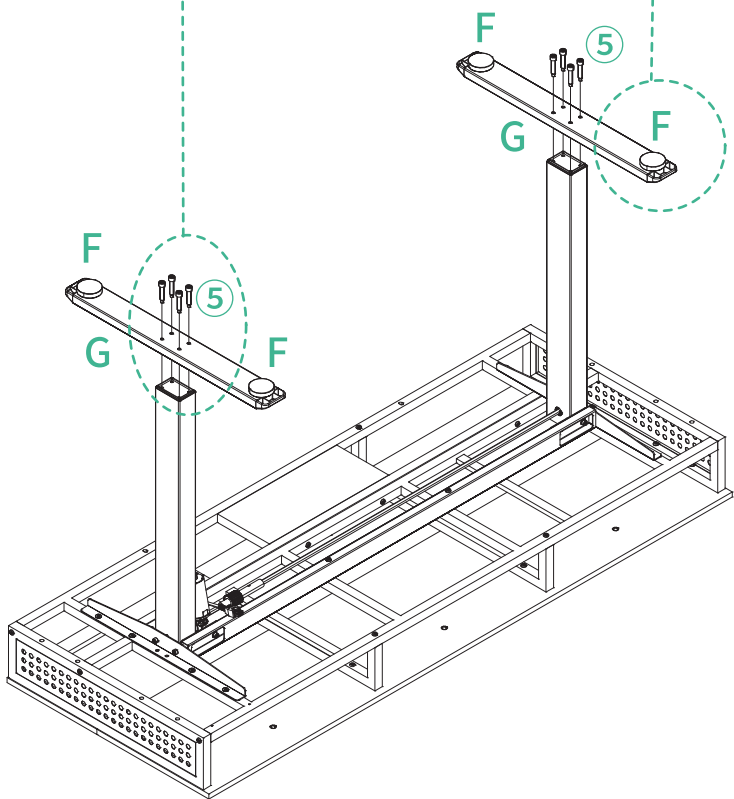
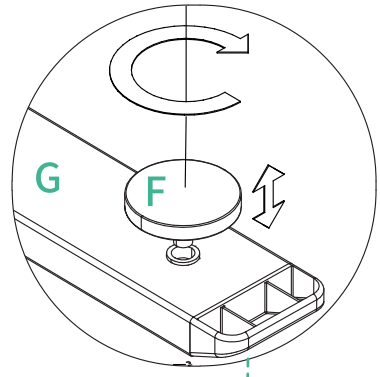
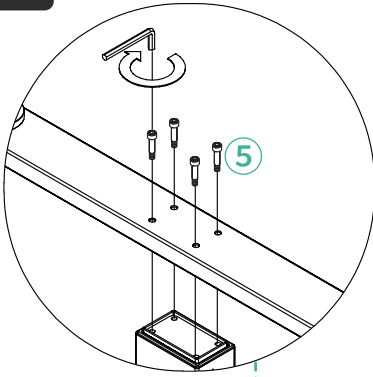


Adjust the length of the plastic part of part D (the plastic part is retractable) and insert it into A, then tighten the screw cap.



Assembly Instructions

13



5
x8



10
x1



G
x2



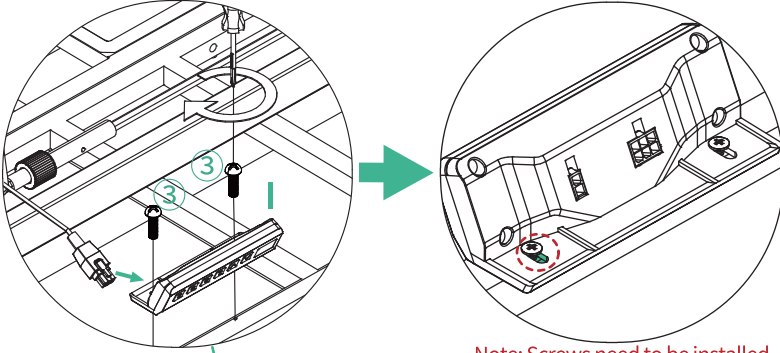
F
x4



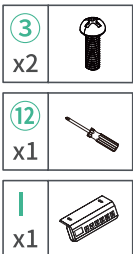
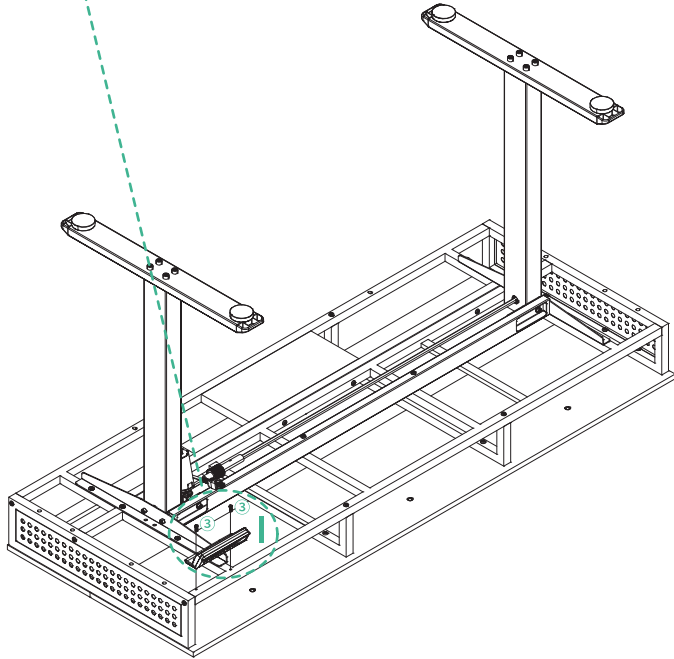
Assembly Instructions

14

Fix the controller J and connect the motor wires to the controller.



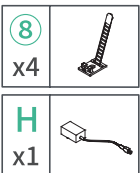
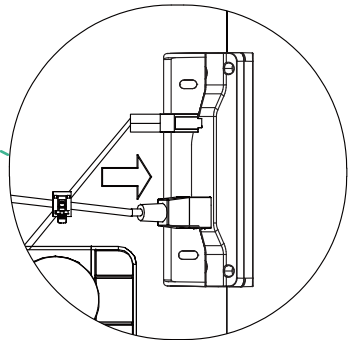
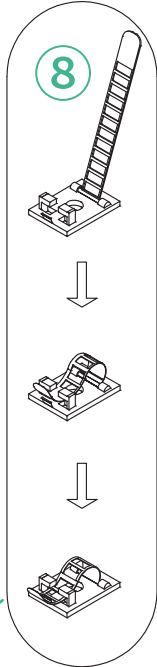
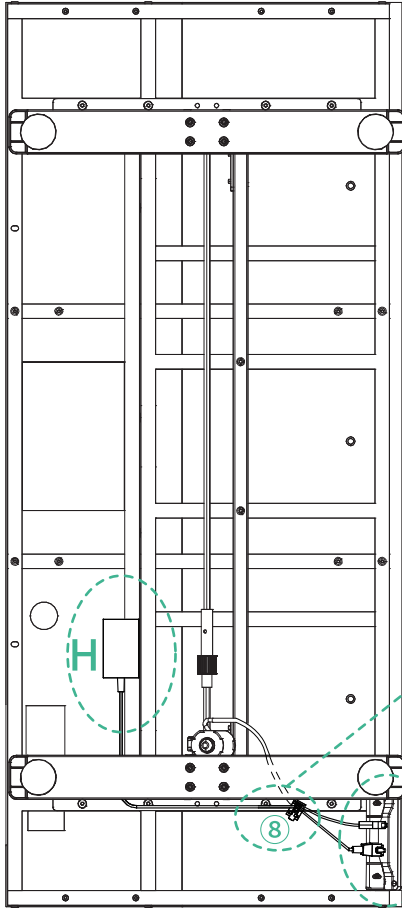
Note: Screws need to be installed at the root of the holes as shown in the picture.



Assembly Instructions

15

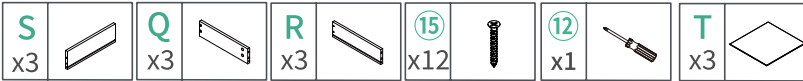
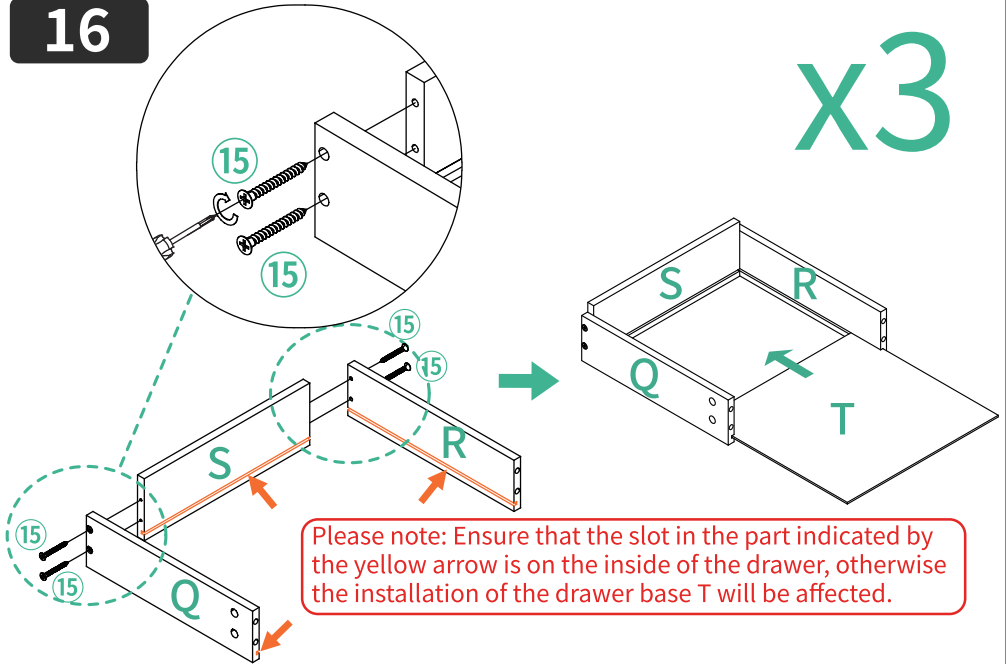
Fix the power cord with ties.



Assembly Instructions

16

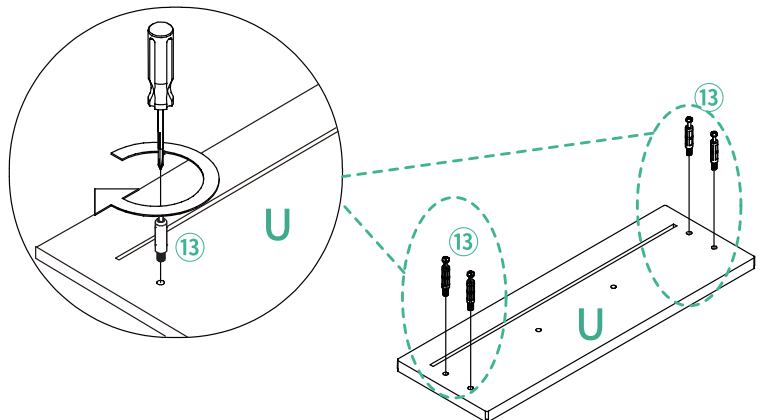
x3



17

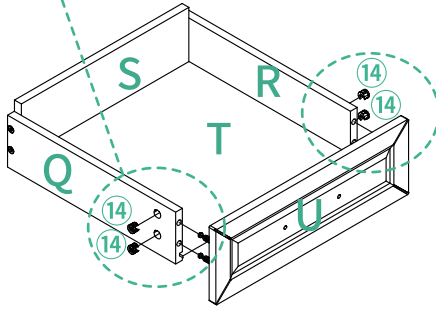
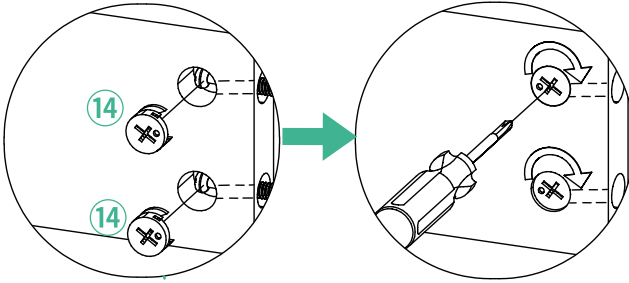


x3



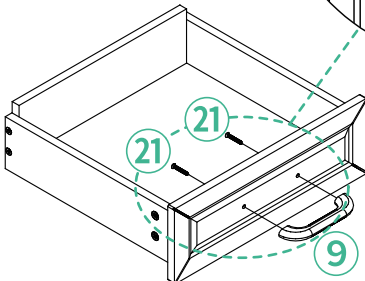
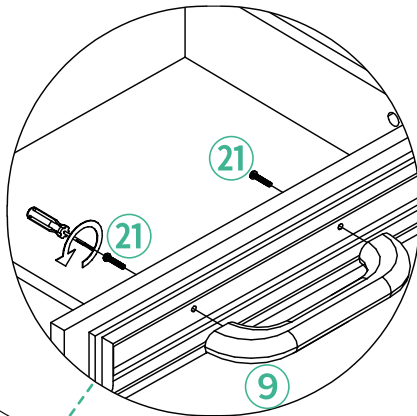
Assembly Instructions

18



x3

19



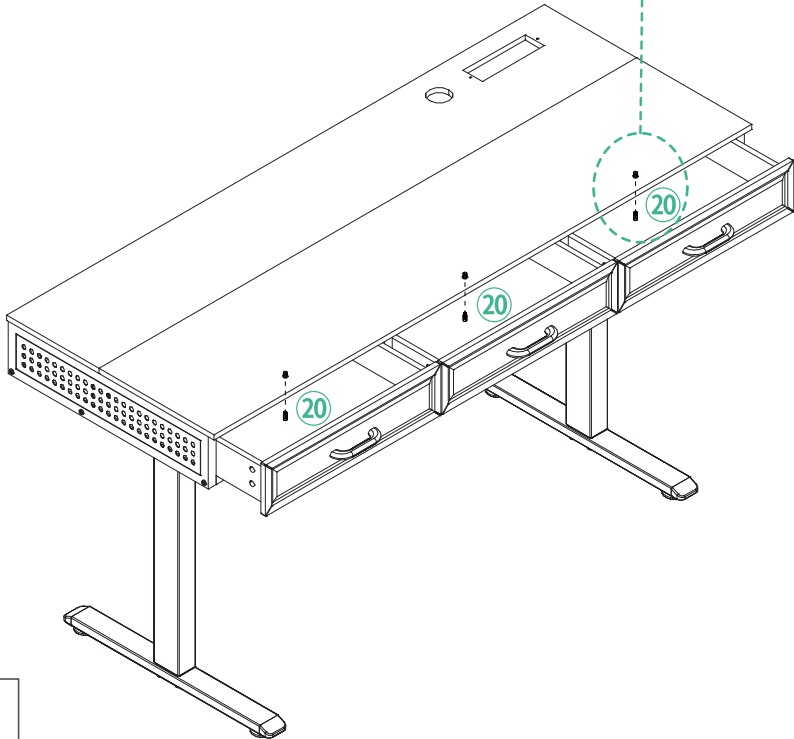
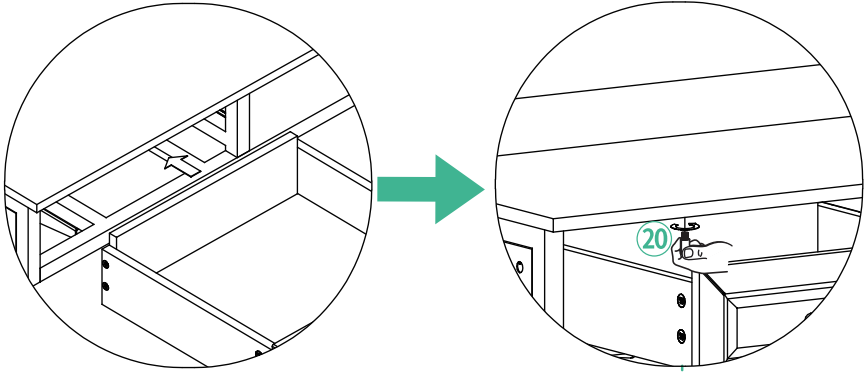
x3

Assembly Instructions

20

Put the wooden drawer into the corresponding position on the table first. Then, tighten the screws ②① into the corresponding position under the desktop.

Note: Please observe the position of the holes carefully, it is not easily noticeable.



②①

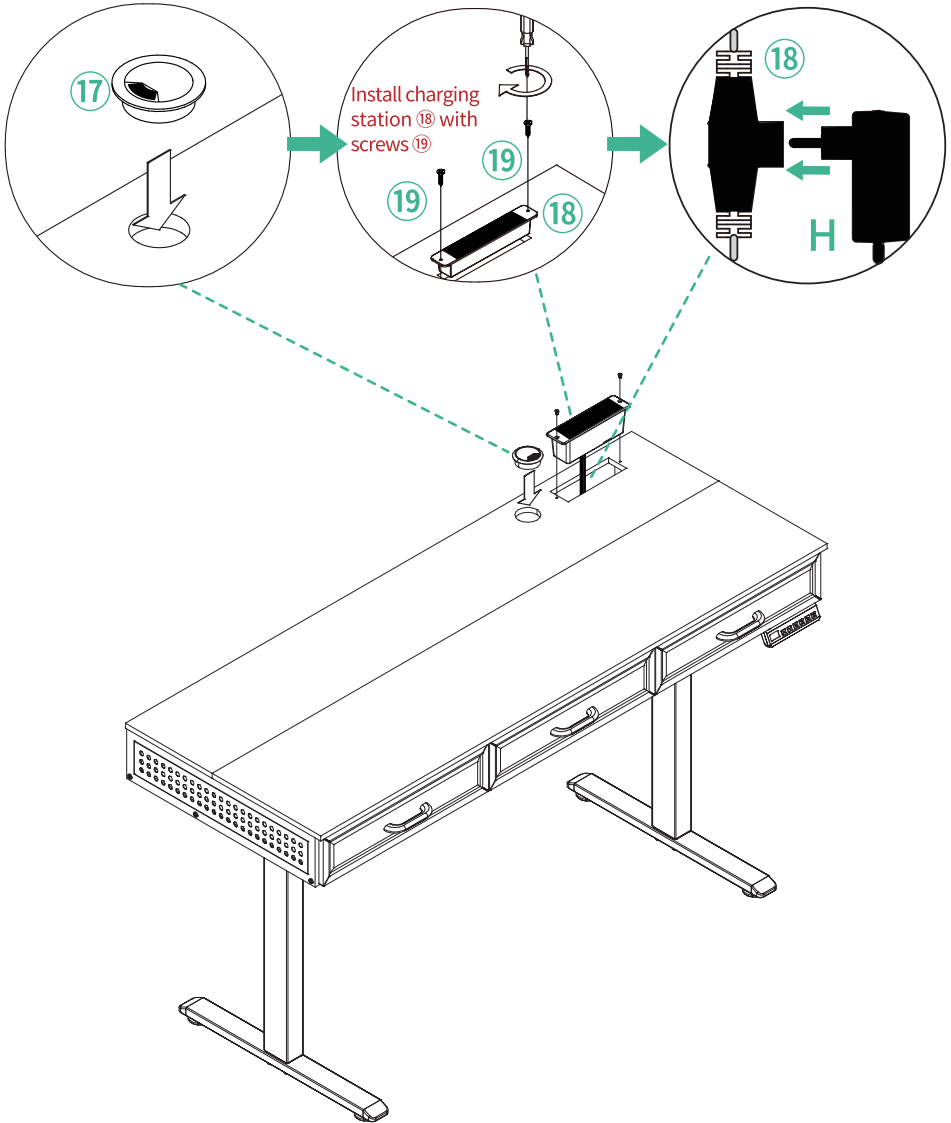
x3



Assembly Instructions

21

Connect the plug of the table power adapter to the power strip.



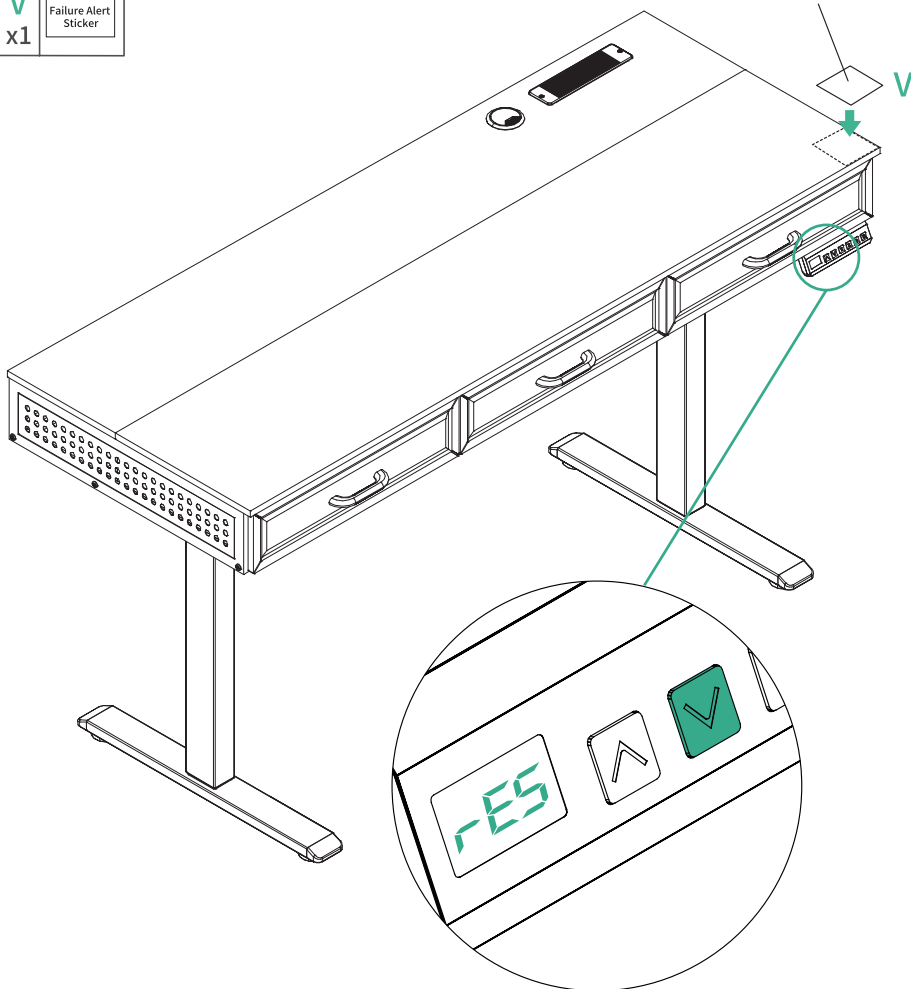
Assembly Instructions


22

Choose where to paste the V to your preference.

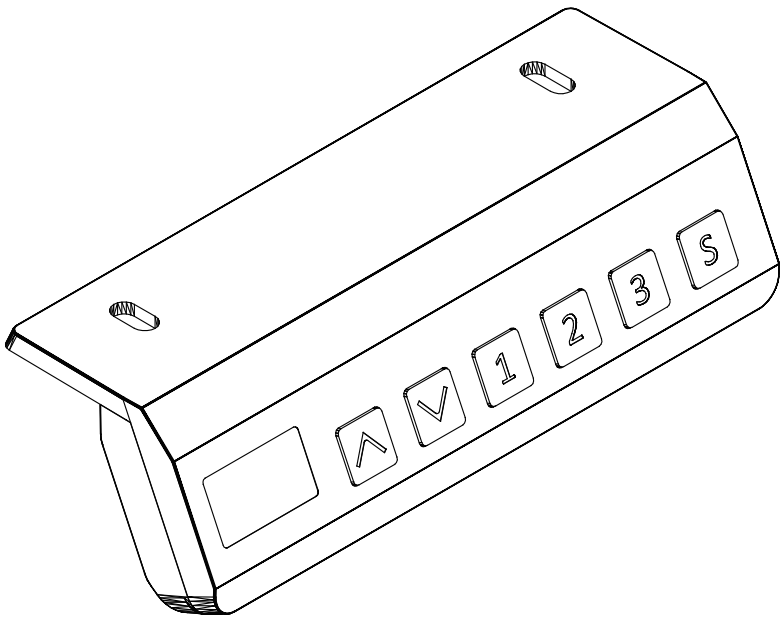


Failure Alert Sticker





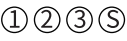





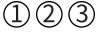


Tip: After completing the installation, please keep pressing and holding the controller “” key until the screen shows “FES” then release the button; this operation can make the product maintain the best state.



Please note: Do not operate other keys during the reset process to prevent the reset operation from failing.





Display Instructions





| Key name | Description | Press duration | Operation process |
|---|---|--|--|
|  | Raise the desktop | Long press | Press and hold the  key to raise the desktop and enable the LED screen to display the real-time height value, and release it to stop the height adjustment. |
|  | Lower the desktop | Long press | Press and hold the  key to lower the desktop and enable the LED screen to display the real-time height value, and release it to stop the height adjustment. |
|  | Set the memory heights | Press the  key once | Press the  key once and the height value starts flashing. At this time, press the  ,  or  key to save the current height to the corresponding position. |
|  | Move to the memory height / To use memory heights | Press the numeral key once | Press the numeral key to enable the height adjustable desk to automatically move to the corresponding preset height. |

Parameter Setting

1. After holding down the  key for 3 seconds, the digital tube displays "S--" and begins to blink;
2. Press the  key again to enter the setting mode, and display the function name.
The functions that can set parameters are as follows:

- Display unit of table height: Unit ()
- Strength of collision protection: Collision Force ()

Function of each key in setting mode:

-  Return key to return to the upper-level menu.
-   Option switching.
-  Confirm key (Confirm to enter the next level menu of the current interface or confirm to select the current parameter).

If you do not press any key within 20 seconds, exit the setting mode;

Parameter Setting

| Main menu interface | Submenu interface | Description |
|---------------------|-------------------|---|
| U _n | SI SI Metric | After entering, the height unit value set last time is displayed. You can flip In the options (SI, In) with Ⓜ and Ⓟ keys. After selecting the option, press Ⓢ key to save the current option value, and keep the current option displayed for 2 seconds, exit the setting mode. |
| | IN Inch | |
| CF | OFF Off | After entering, display the impact force gear set last time, use Ⓜ and Ⓟ keys to flip in the options (Off, L, N, H), press the Ⓢ key to save the current option value, and keep the current option displayed for 2s, exit the setting mode. |
| | L Light | |
| | N Normal | |
| | H Heavy | |

ANNOTATION:

- ① There may be an error of up to 10mm between the value on the display and the actual height value, which is within the normal range;
- ② The display will be automatically extinguished if no key is pressed for a long time. At this time, you can press any key to turn on the display.

Product Care

1. Power supply: AC100V-240V,50/60HZ.
2. Service Environment: temperature 0-40C. Keep products away from corrosive gas.liquid and dusty objects. Outdoor use is prohibited.
3. Keep children and animals away from the tabletop during use, and make sure the tabletop does not touch any walls.
Remove obstacles that are above 60 centimeters under the desk.
4. Never operate system in damp environments or if any electrical components have made contact with liquids.
5. Unplug the power plug before cleaning, wipe the dust on surface with slight wet dishcloth when cleaning, be careful not to let the drops into the internal parts, not loosen the connector.
6. Slight noise caused by the V-ribbed belt or brake system due to structure will not have any effect on the use of the equipment.
7. Please make sure there is no hazard sources in your operating environment.e.g., do not litter the tools around.
8. This product is designed with a duty cycle of Max. 25%. (Max.5 min. ON,15 min.OFF.)
9. During daily maintenance,use a clean soft cloth to remove surface dust. Do not use a wet cloth or hard material to wipe the surface of the table.
10. Avoid contacting the surface with acid-based chemicals.
11. To smooth out slight scratches, gently wipe with a soft cloth.
12. Avoid attaching tape directly to the outer surface of the metal feet to prevent paint from peeling.



Customer Service



30 DAY Return Policy

If you're not completely satisfied with your purchase, please return the merchandise via our Official Customer Support. Unused merchandise can be refunded or exchanged within 30 days of purchase.



1-Year Warranty

We guarantee your product is free from defects in product material and workmanship for one (1) year starting from the date of purchase during normal use of household conditions. If your appliance fails to operate properly within our warranty period, we will arrange a new one. Replacement is free and all shipping costs are covered.



Quick Response within 24 Hours

If you are still unable to resolve the issue you are experiencing, please contact us immediately via our support email. It doesn't matter if the product has been installed or not, our customer support team will respond within 24 hours and assist you quickly and efficiently. The most efficient way to confirm your problem to us is to attach a video, which illustrates your product issues.