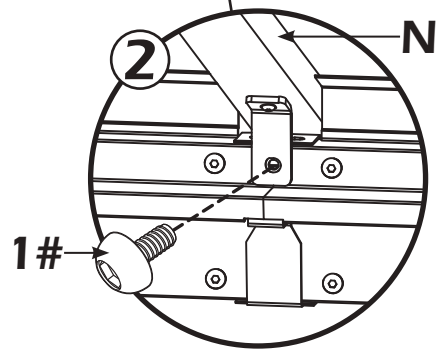
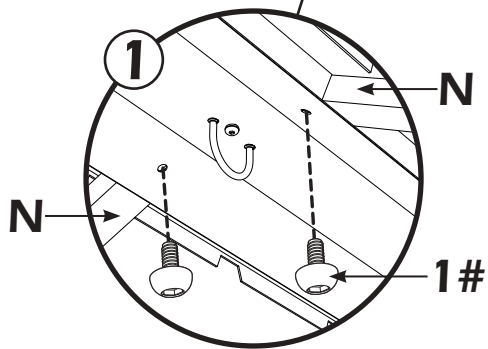
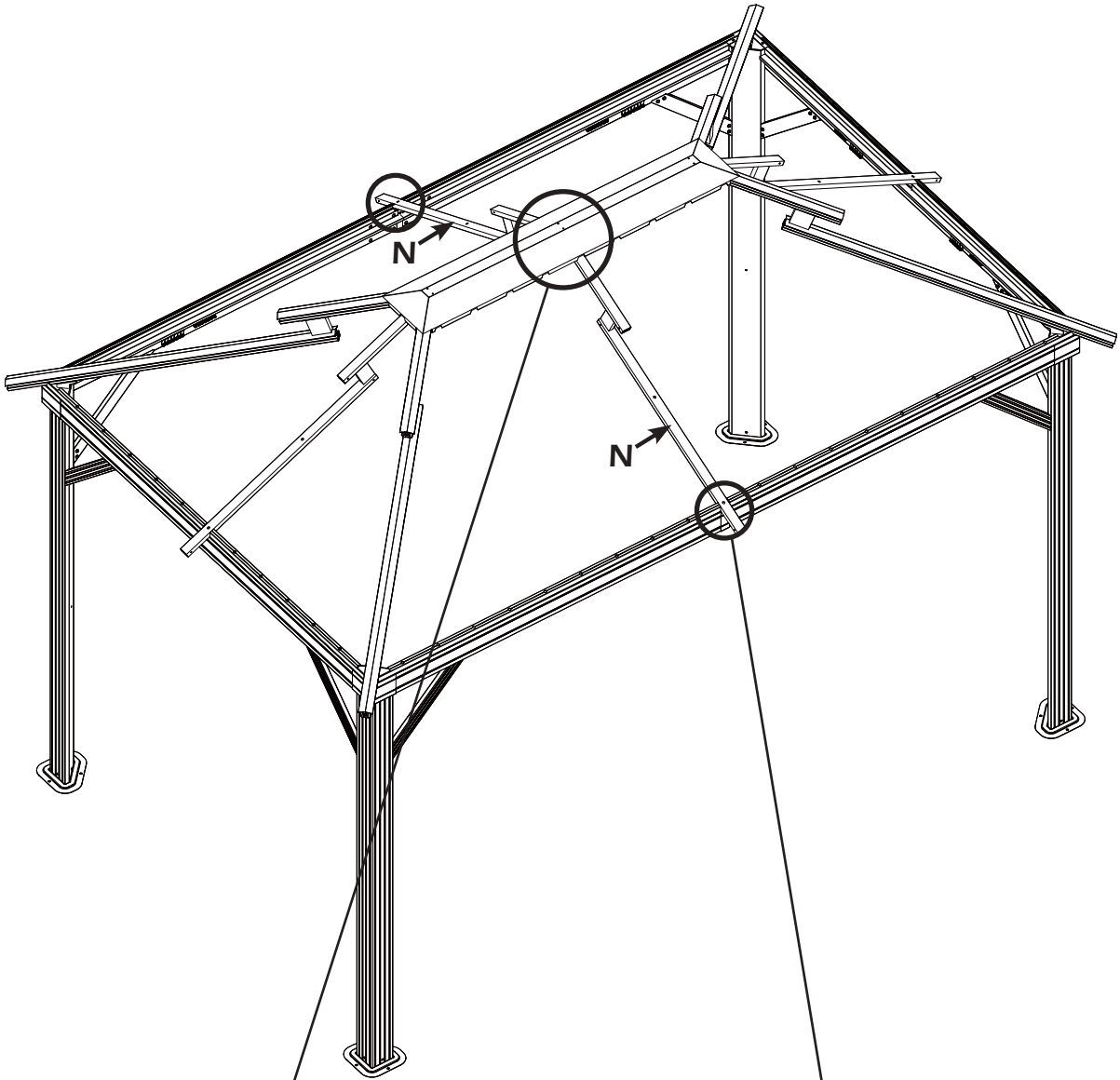


N × 2

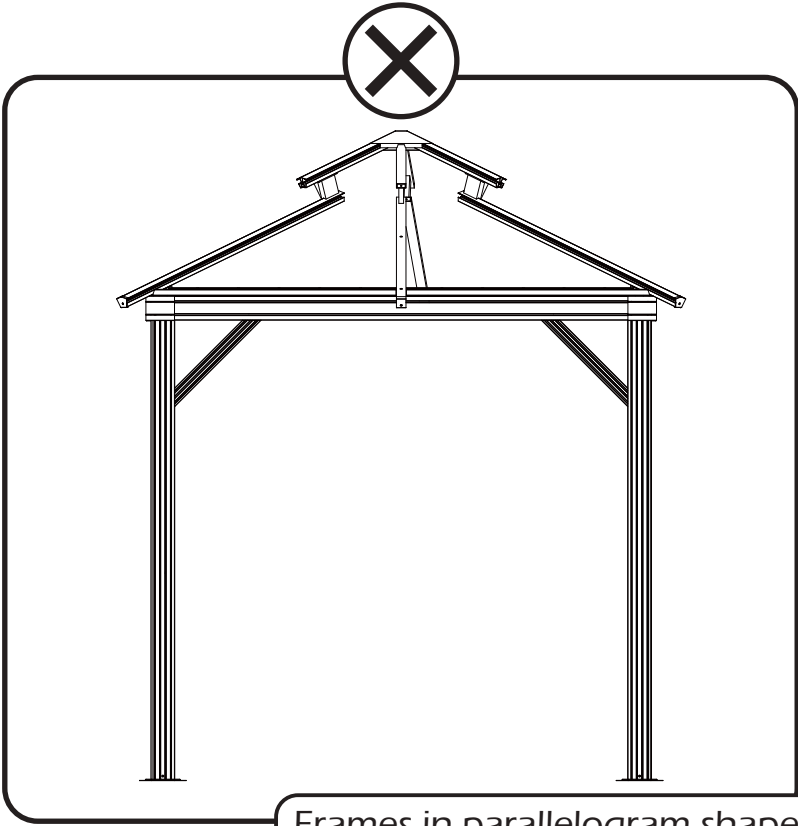


1# × 4

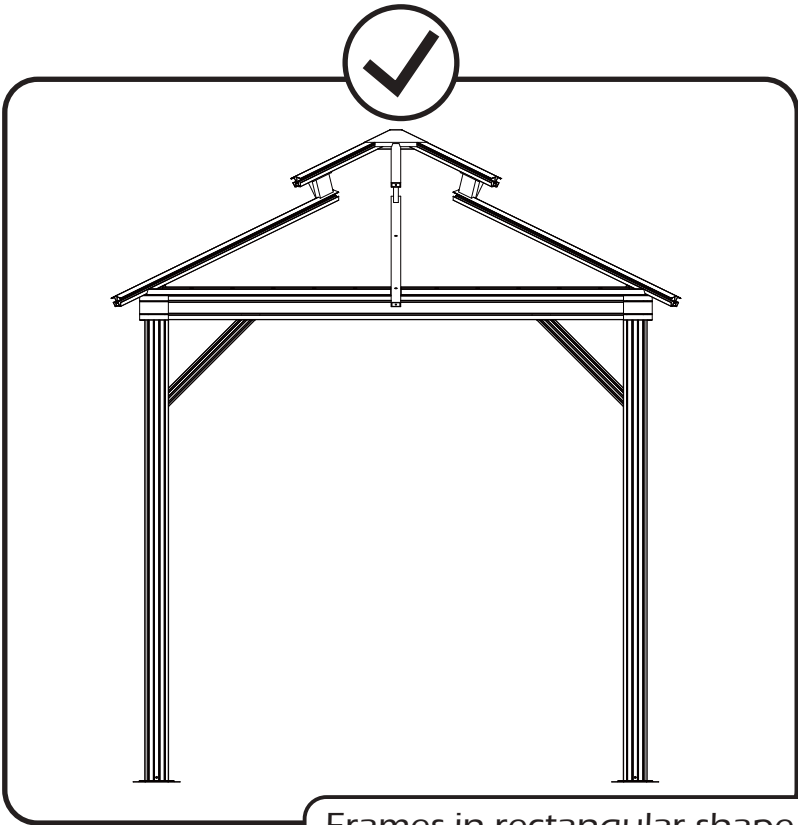


STEP 2

Check if the frame shows as pictures below.

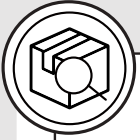


Frames in parallelogram shape.



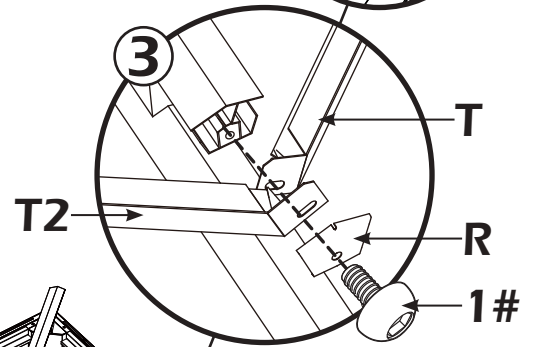
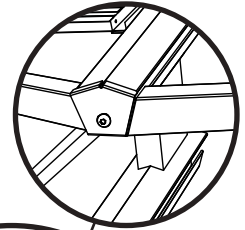
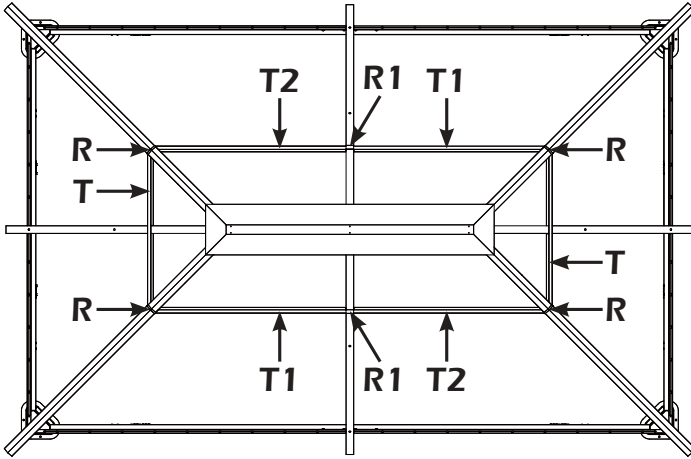
Frames in rectangular shape.

STEP 2

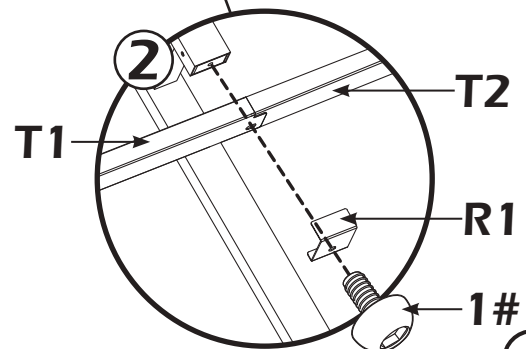
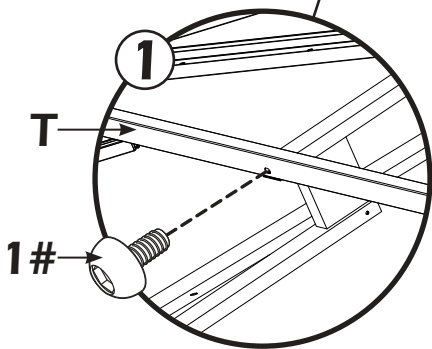
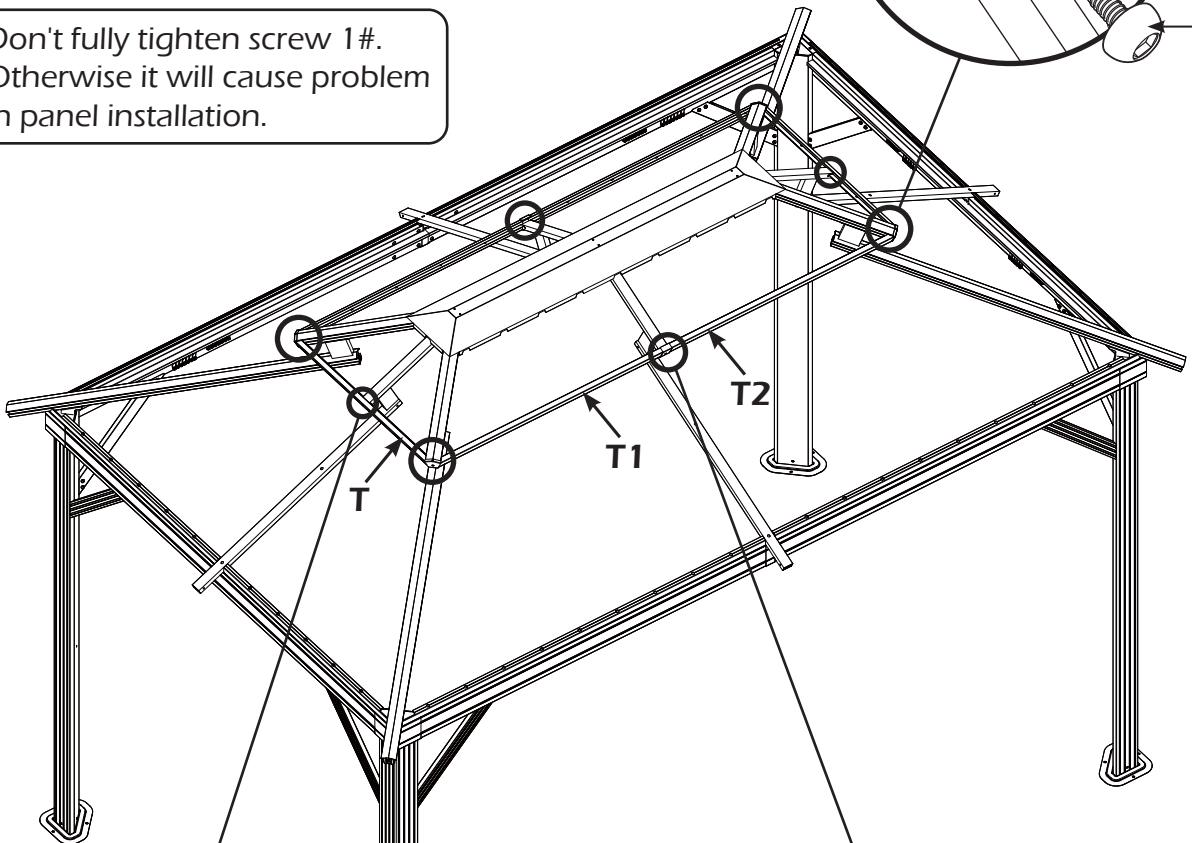


- T × 2
- T1 × 2
- T2 × 2

- R × 4
- R1 × 2
- 1# × 8



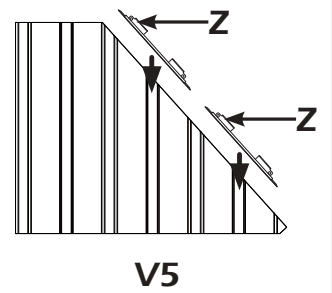
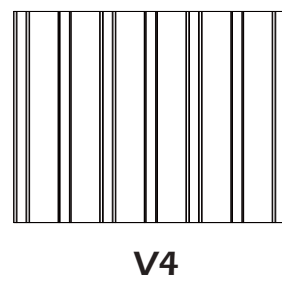
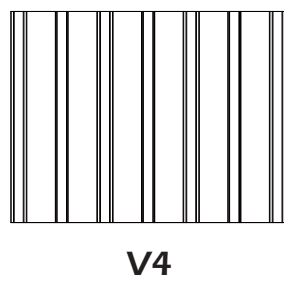
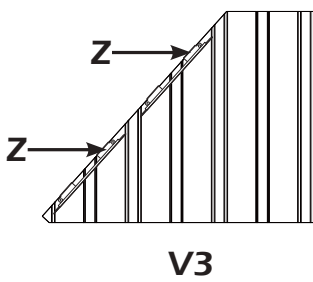
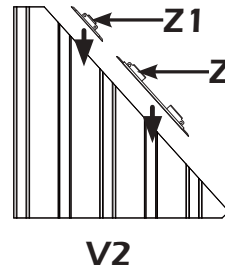
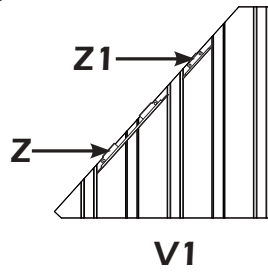
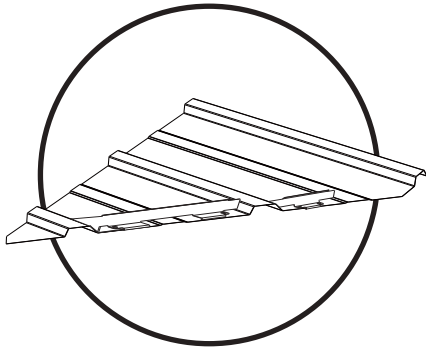
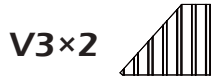
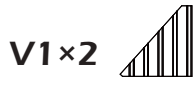
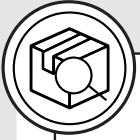
Don't fully tighten screw 1#.
Otherwise it will cause problem
in panel installation.



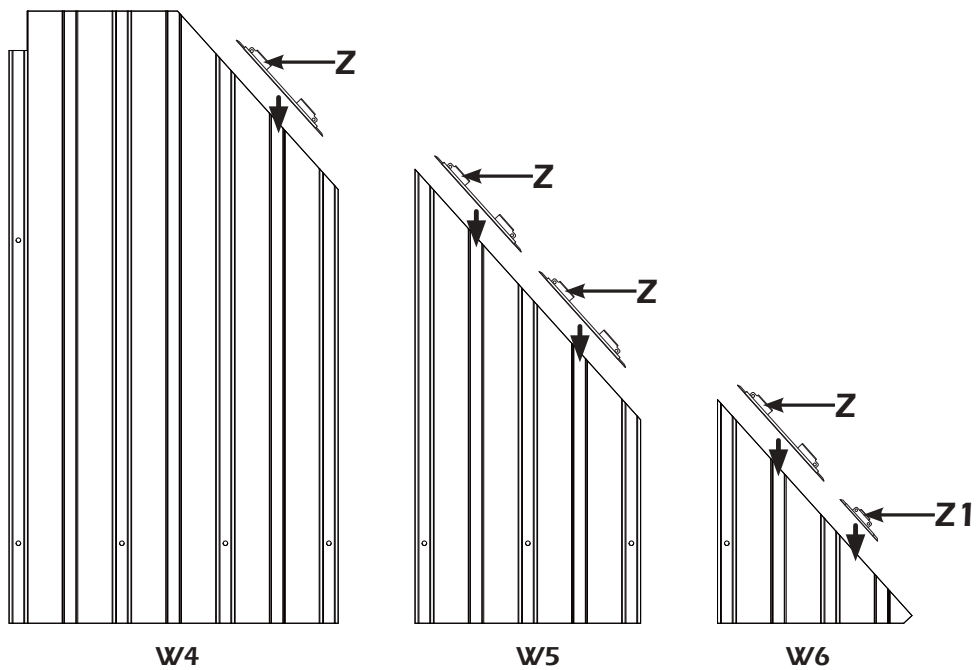
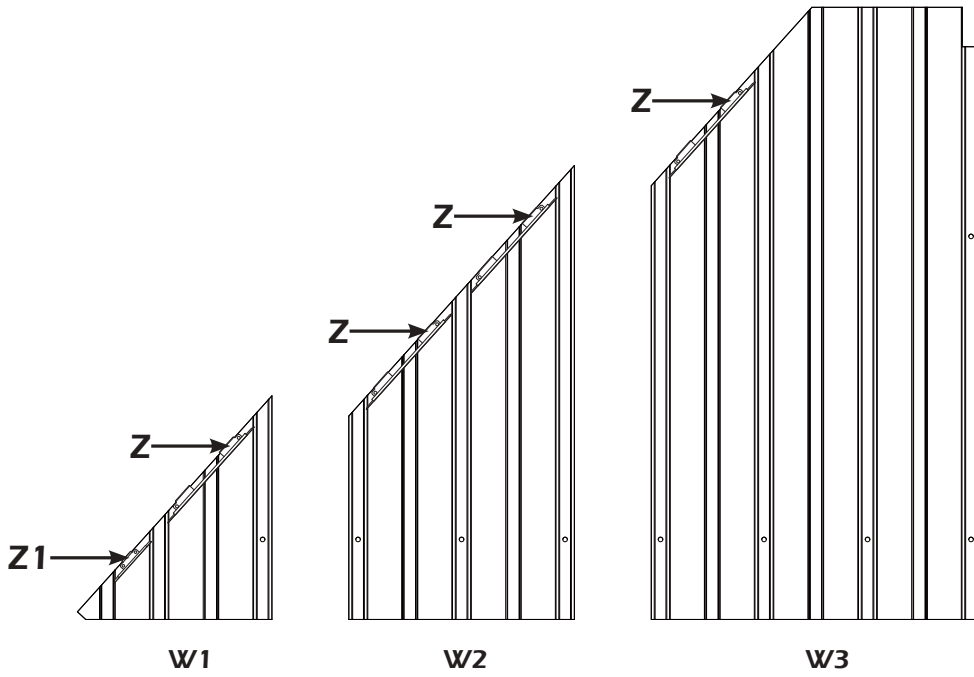
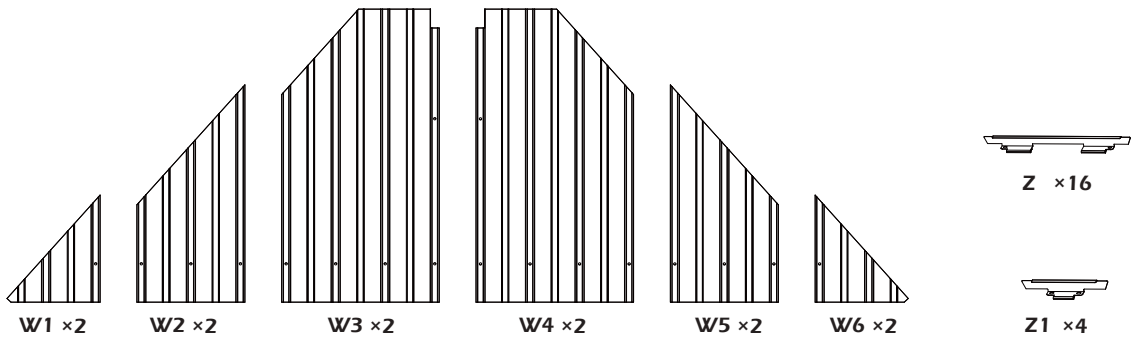
STEP 2



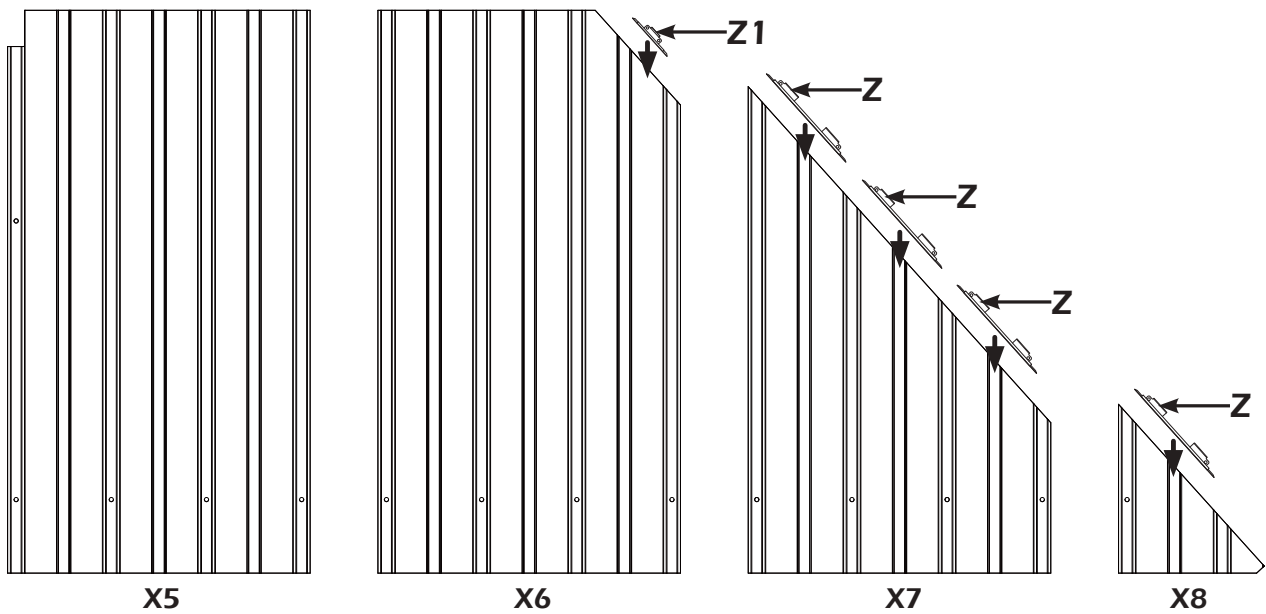
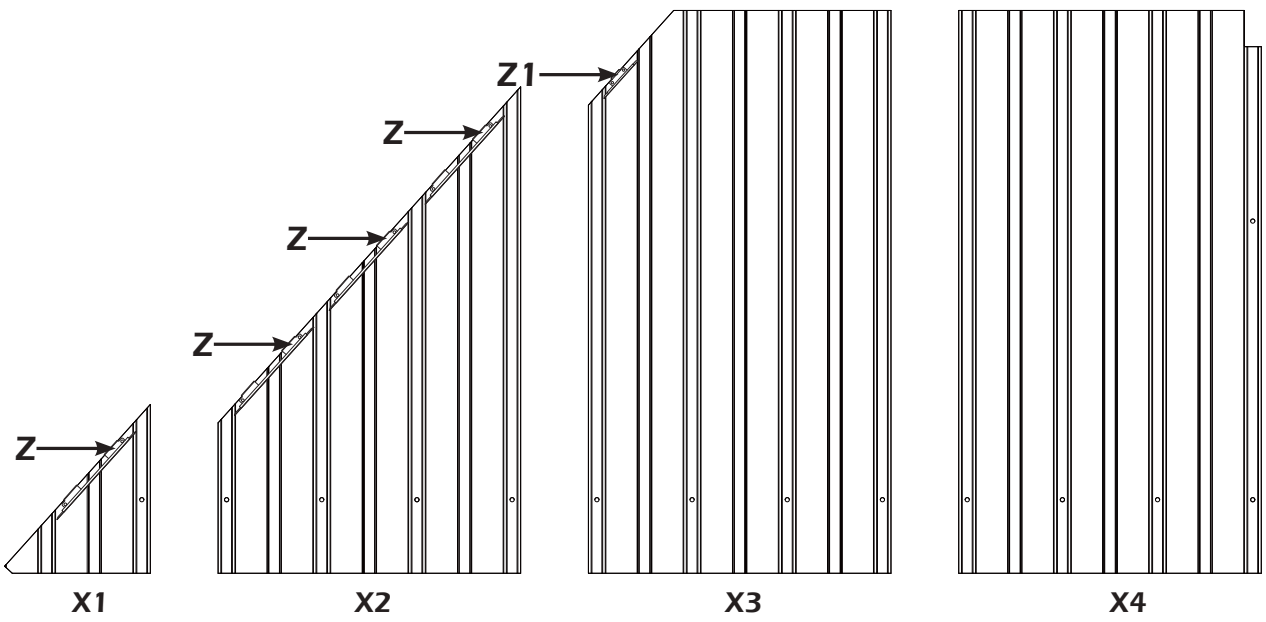
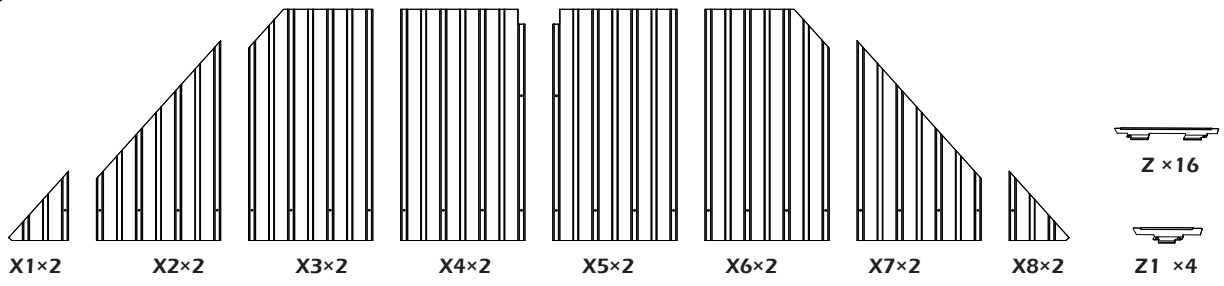
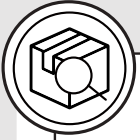
STEP 3



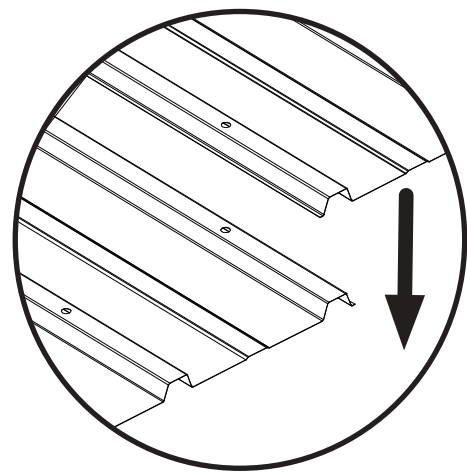
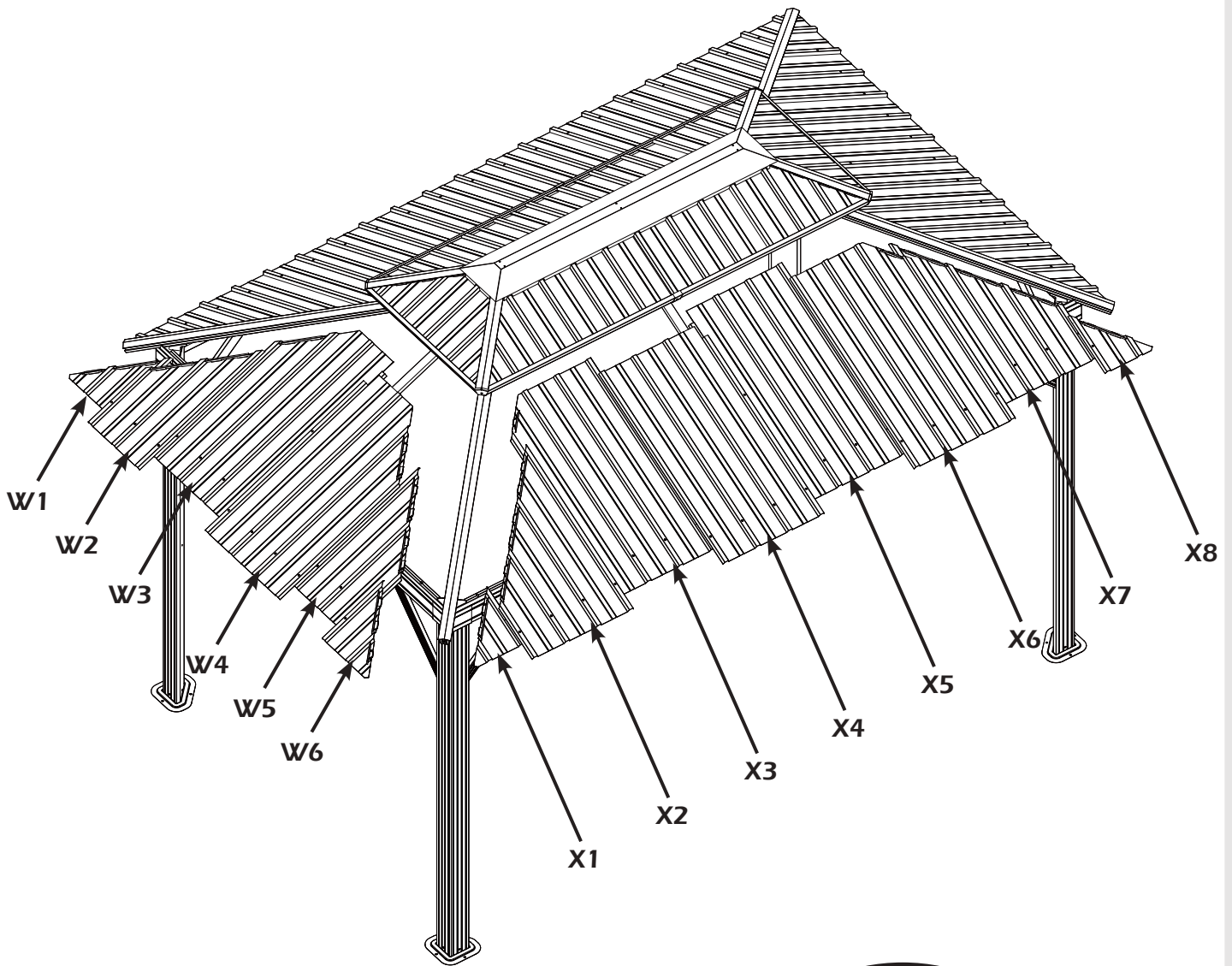
STEP 3



STEP 3



STEP 3

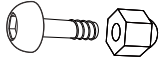


Note: Overlap panels by one single column.
If part Z and Z1 fall off, apply glue to them.

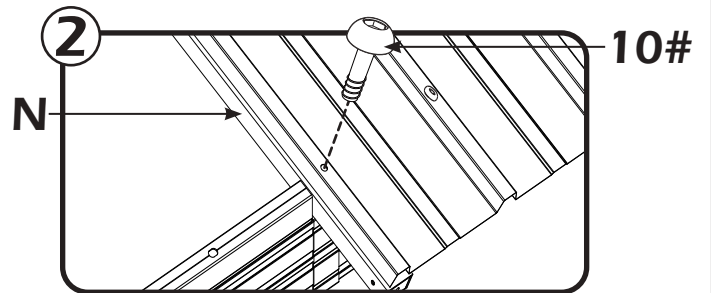
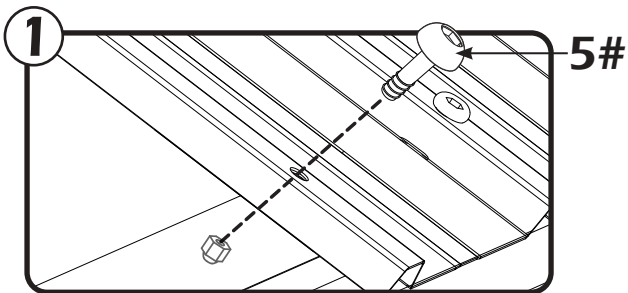
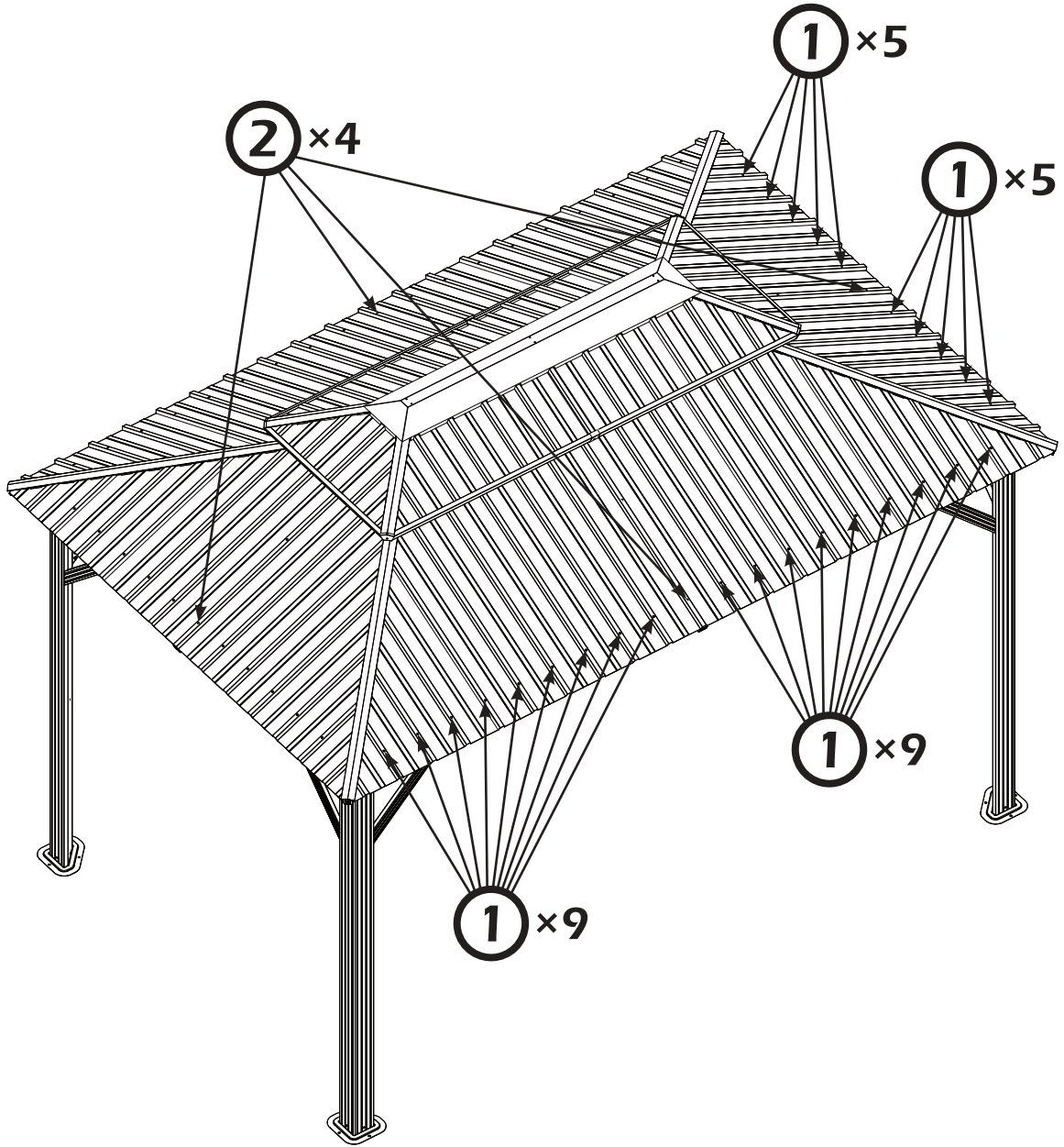
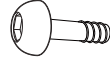
STEP 3



5#×56



10#×4

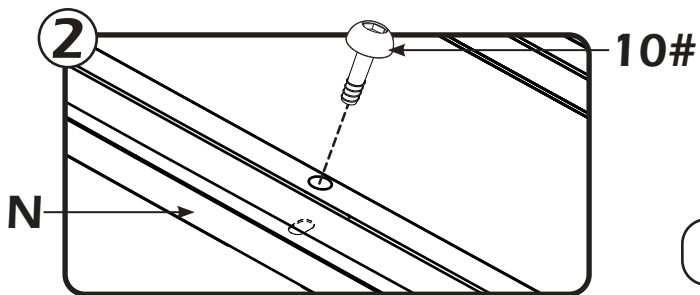
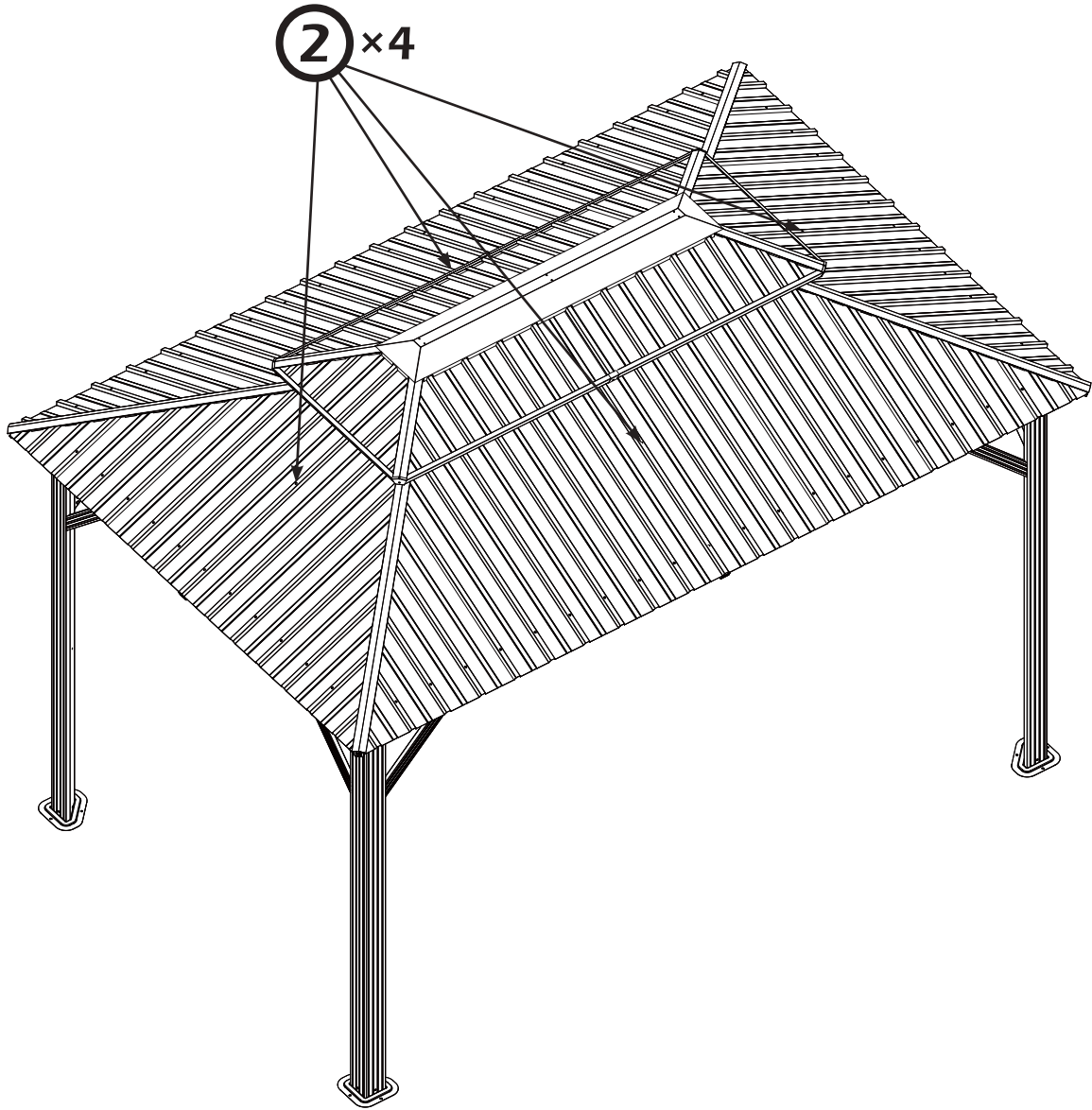
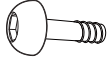


Tighten the screw to avoid water leaking.

STEP 3



10#×4



Tighten the screw to avoid water leaking.

STEP 3



F1×2 

F3×2 

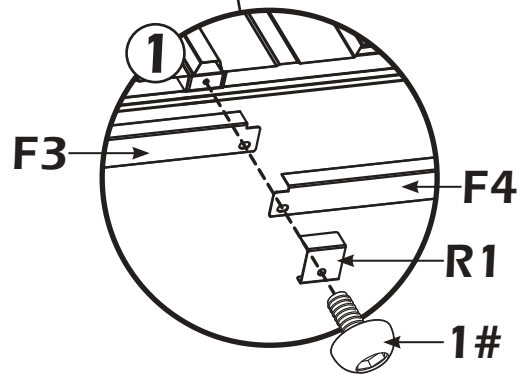
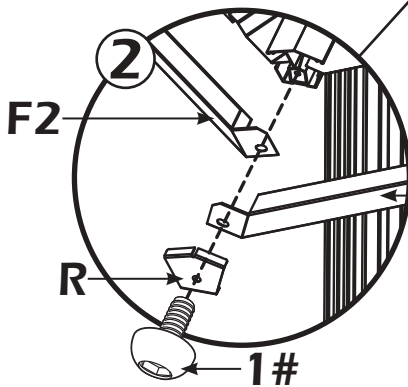
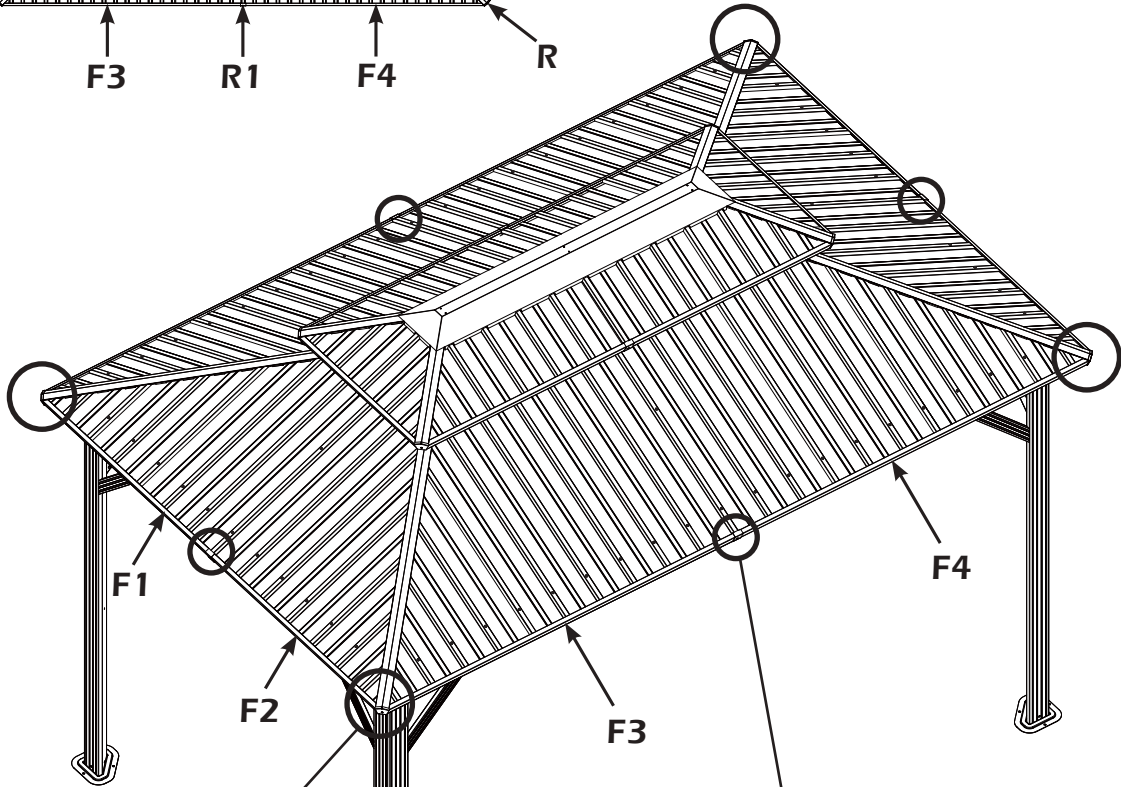
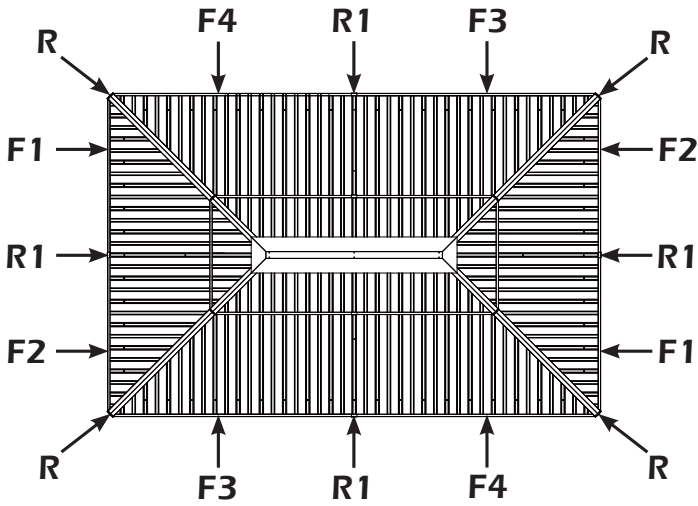
F2×2 

F4×2 

R × 4 

R1 × 4 

1# × 8 



STEP 3



P × 2

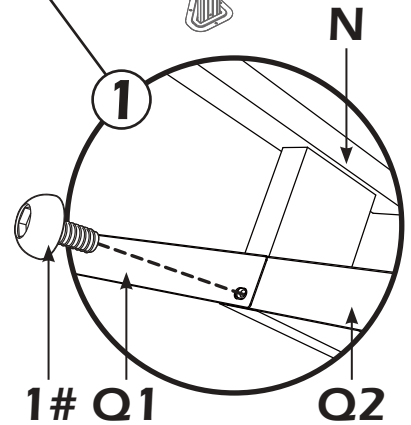
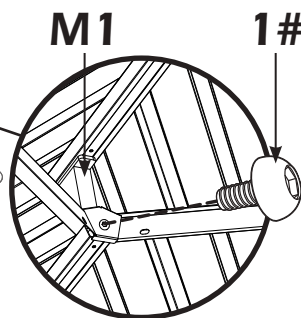
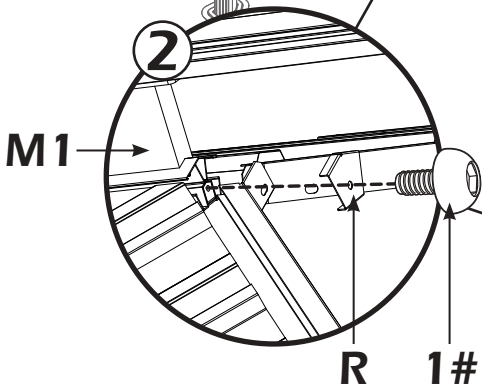
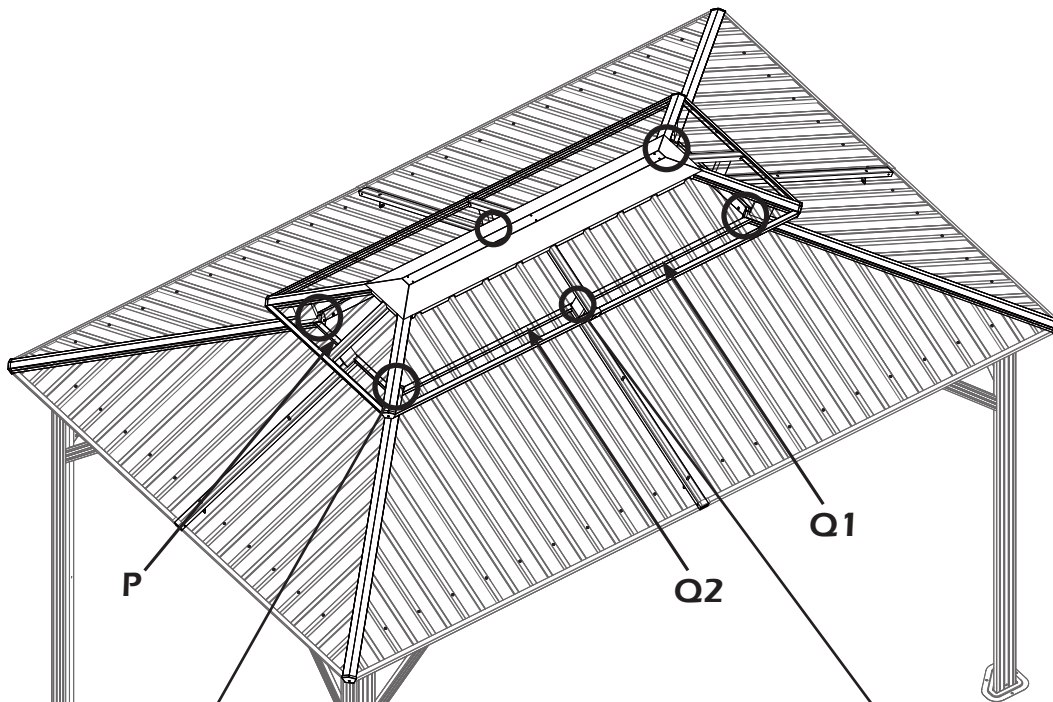
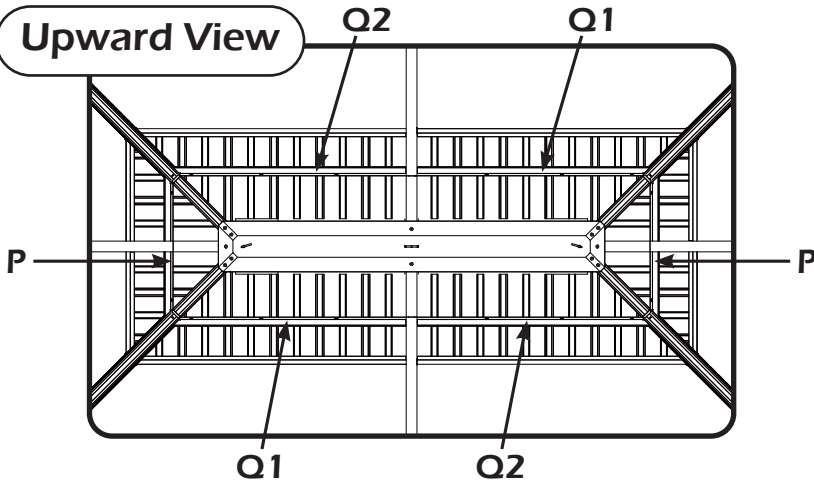
Q1 × 2

Q2 × 2

R × 4

1# × 6

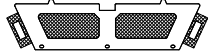
Upward View



STEP 3



P1×2



1#×2



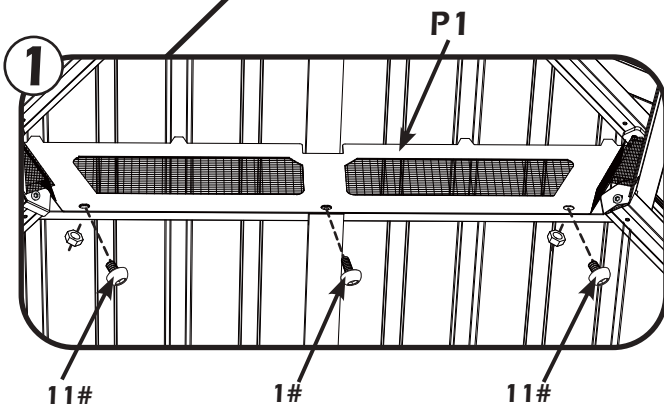
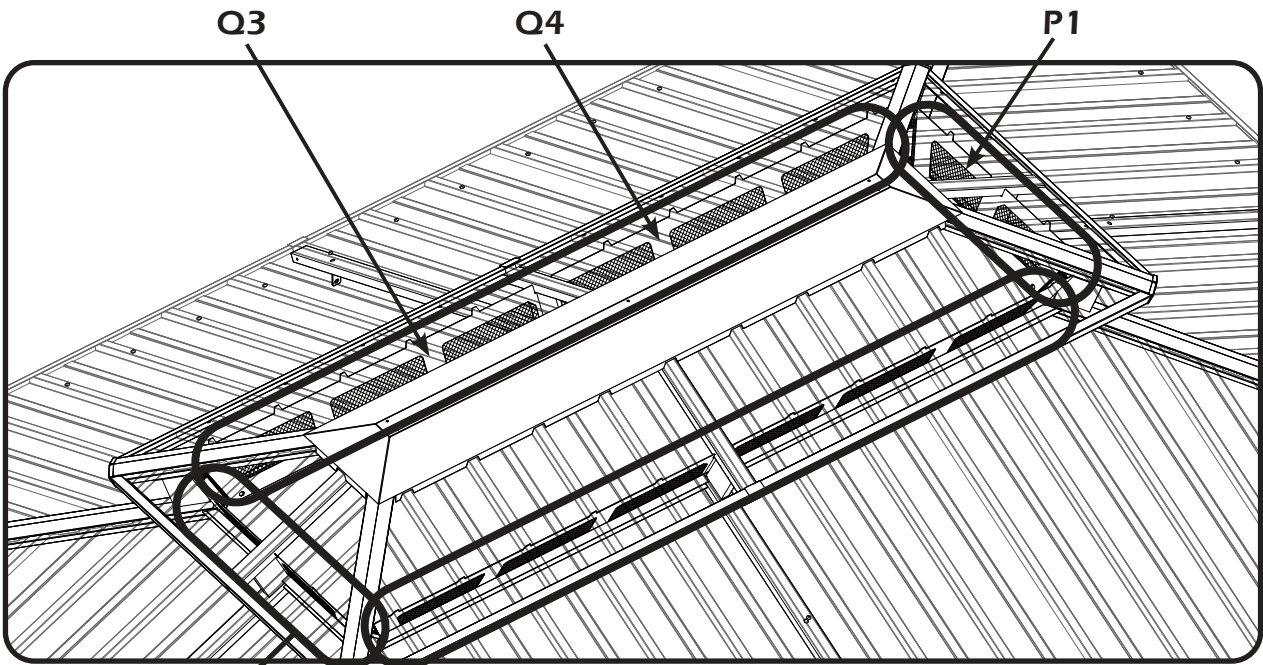
Q3×2



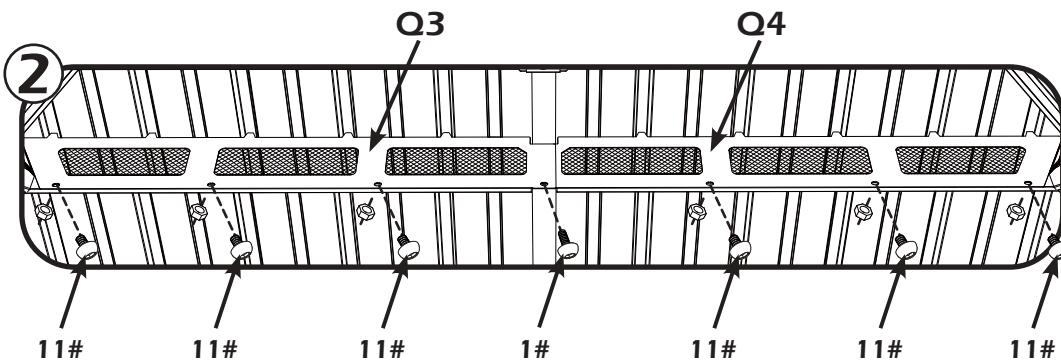
11#×16



Q4×2

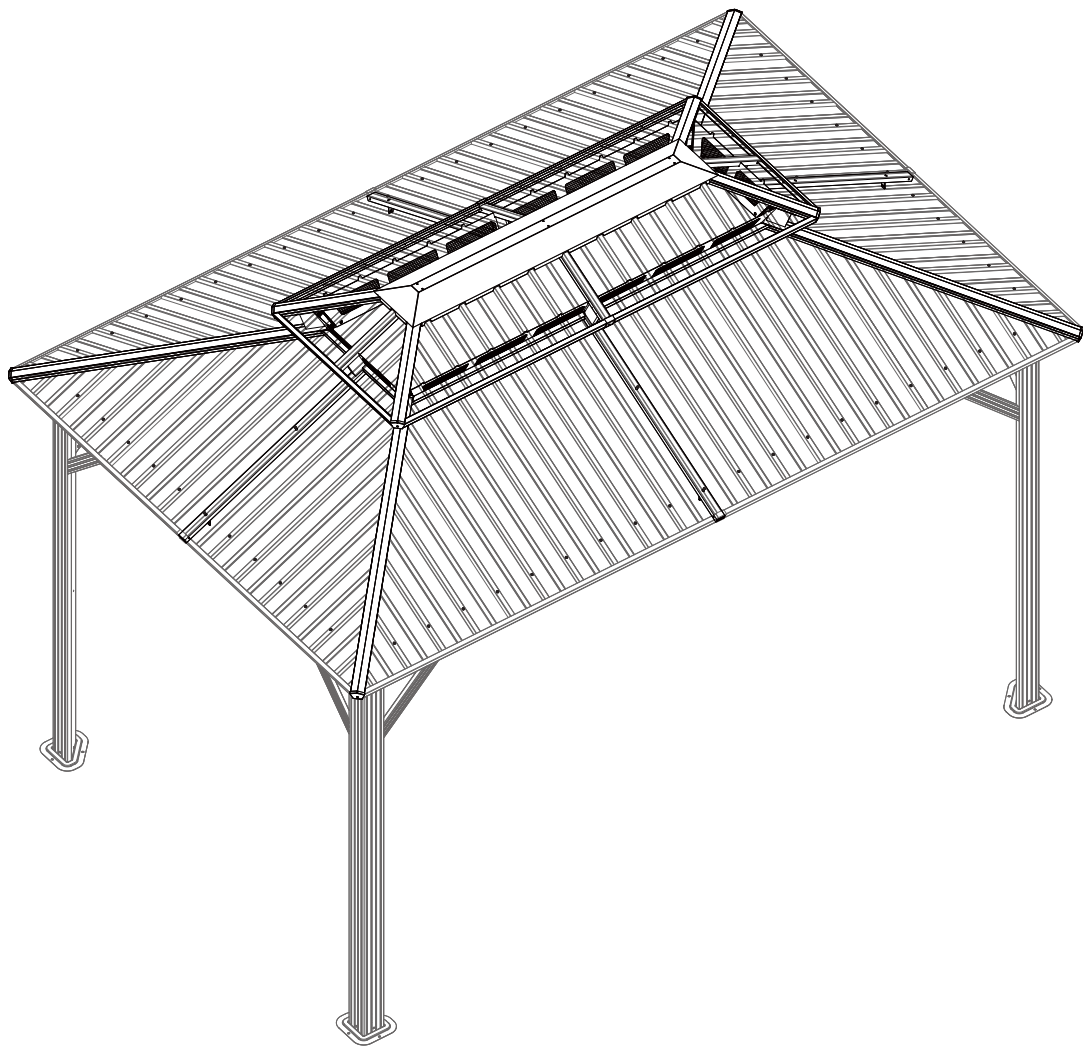
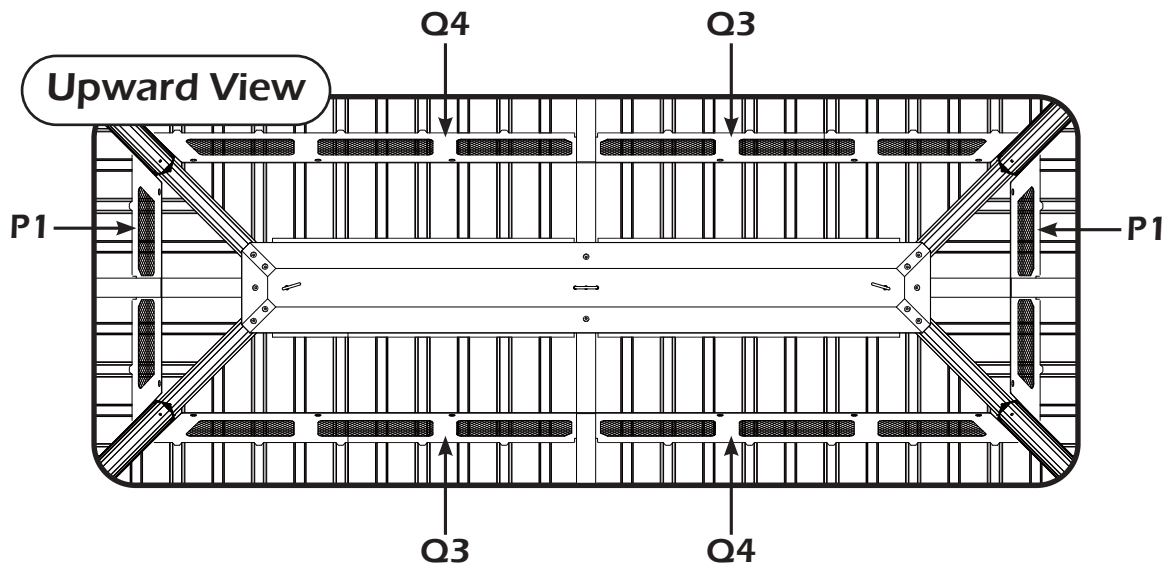


Don't forget to stick the velcro between the bug nettings.



Note: Remove the screw 1# which connects part Q1 & Q2 in previous step and install them with screen.

STEP 3

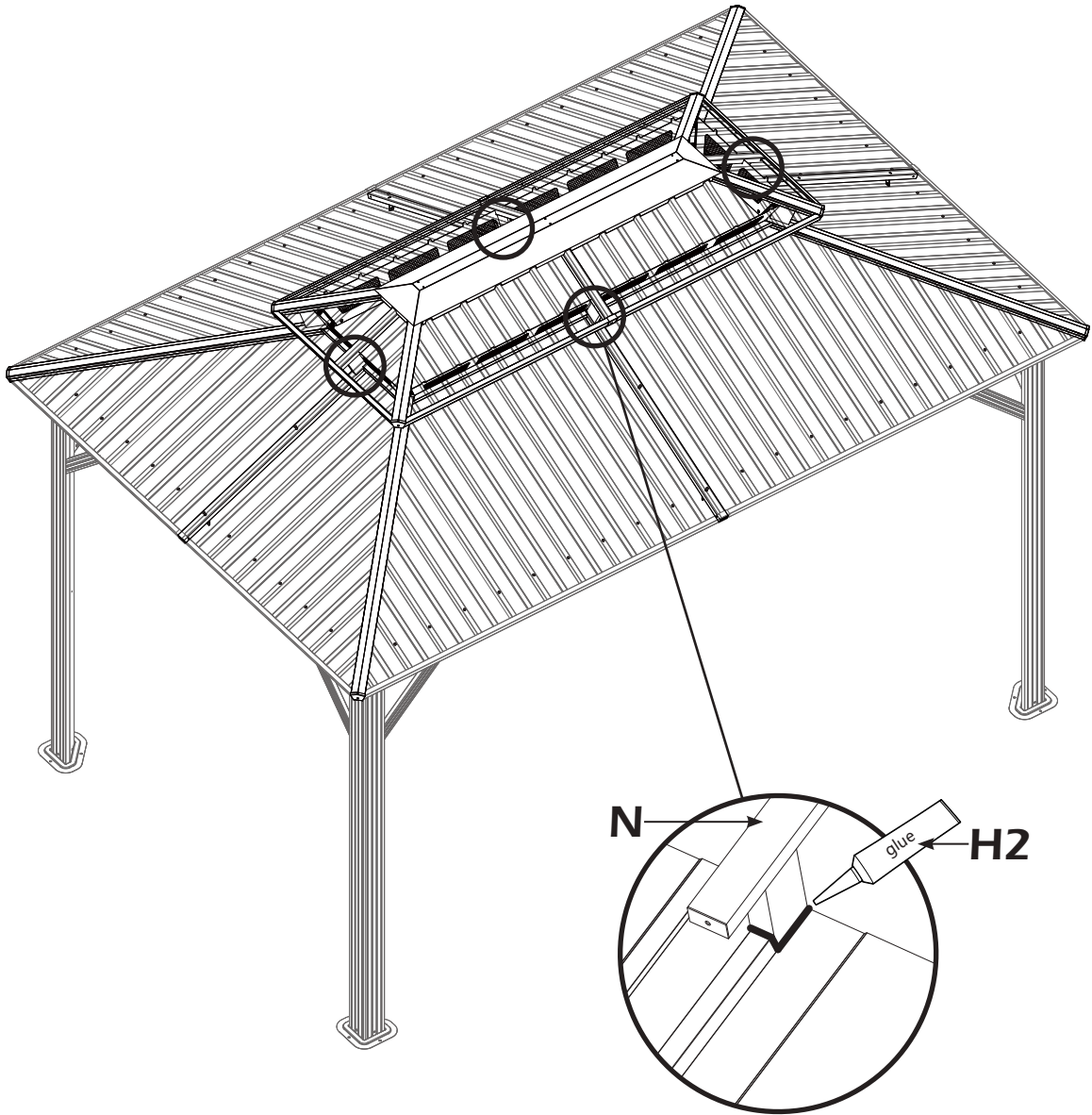


Note: Please tighten screws in Step 1 & 2 & 3.

STEP 3

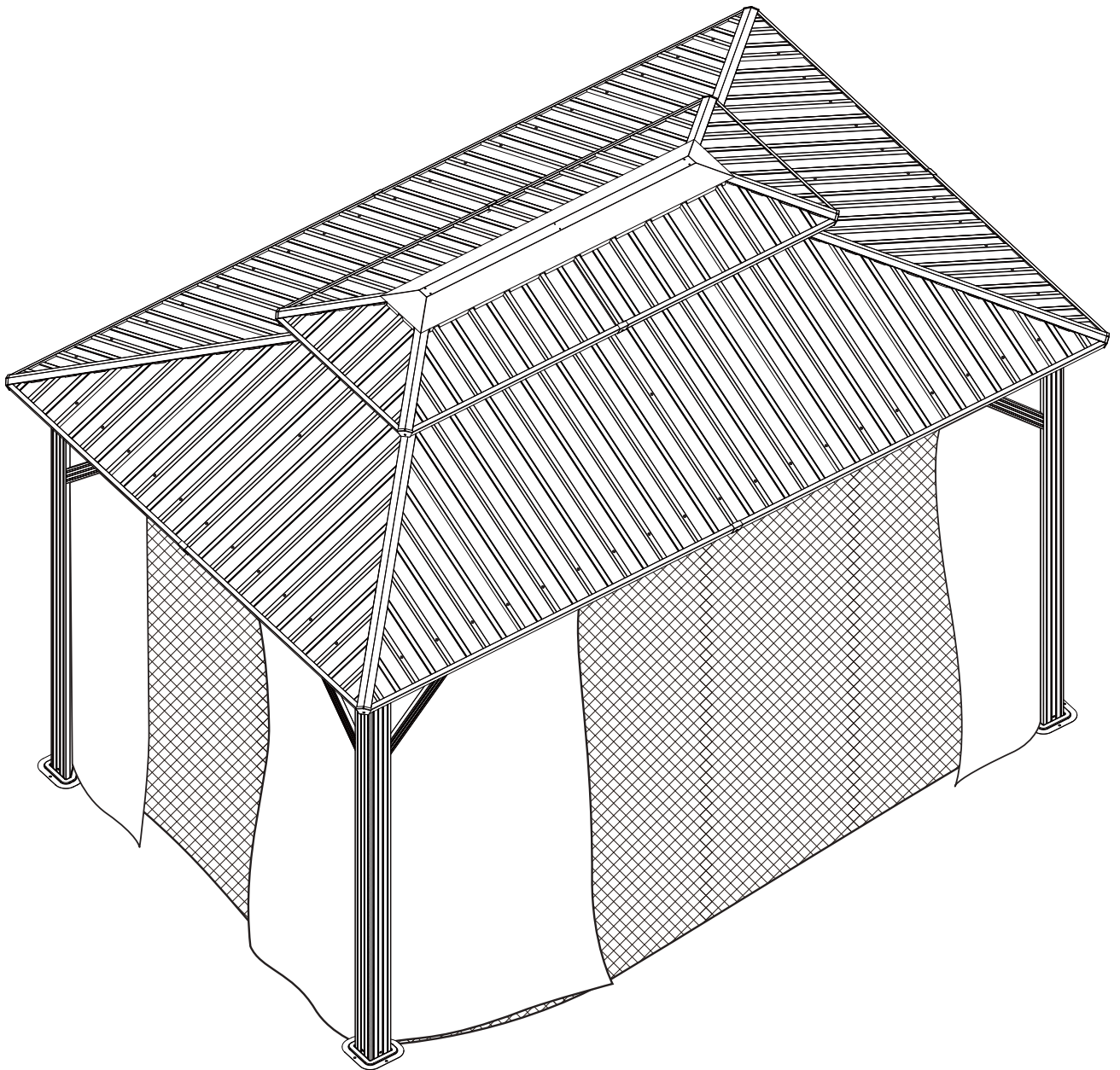


H2×1

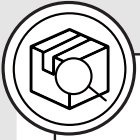


Note: Fill the gaps with glue H2 to avoid water leaking.

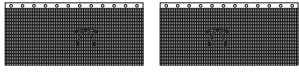
STEP 3



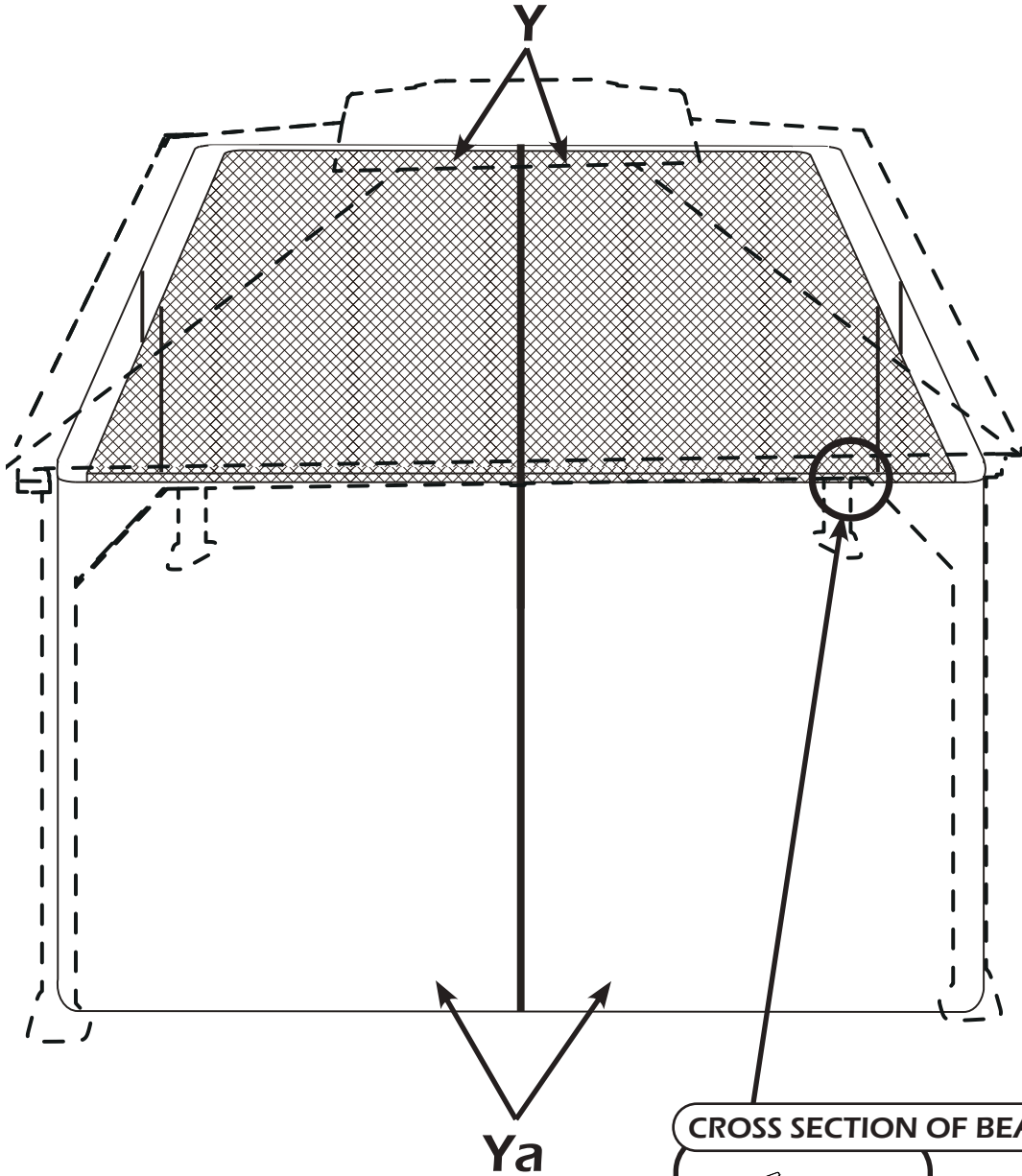
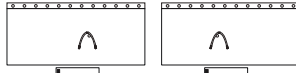
STEP 4



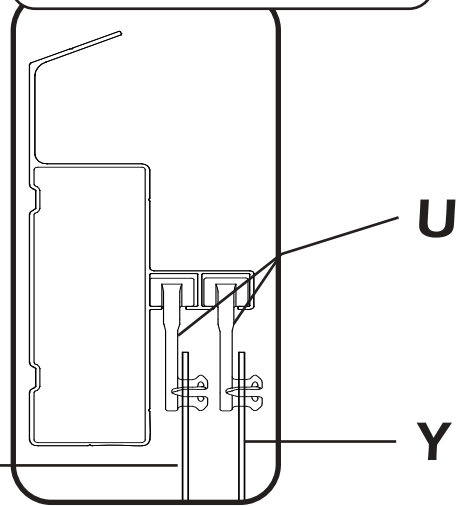
Y × 4
(Netting)



Ya × 4
(Curtain)

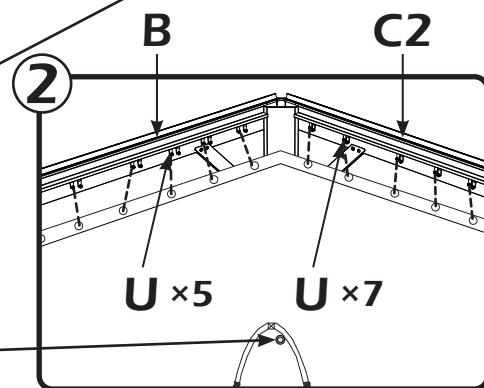
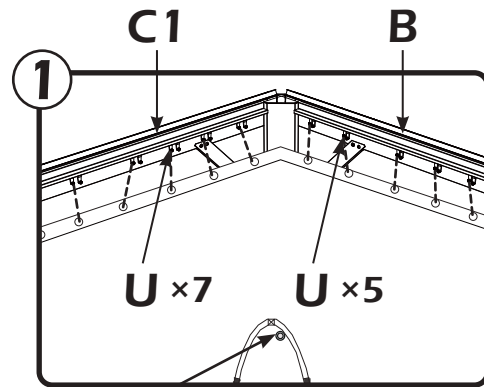
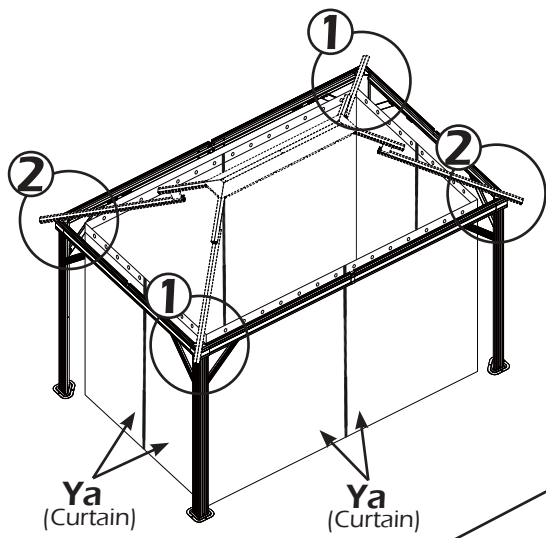


CROSS SECTION OF BEAM

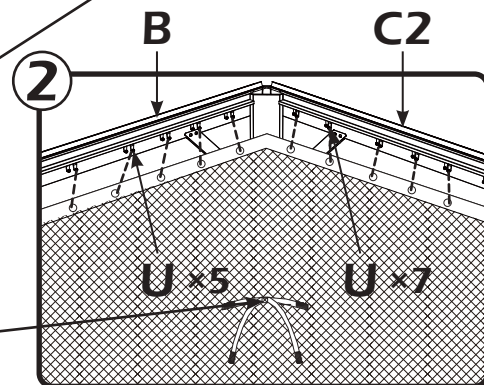
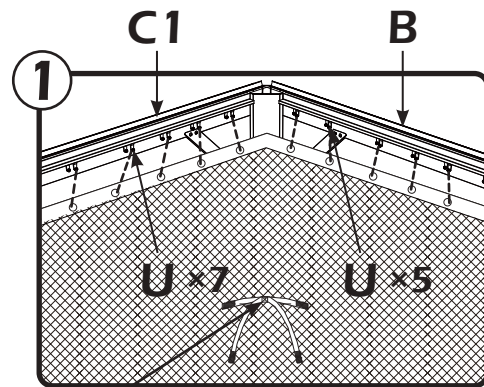
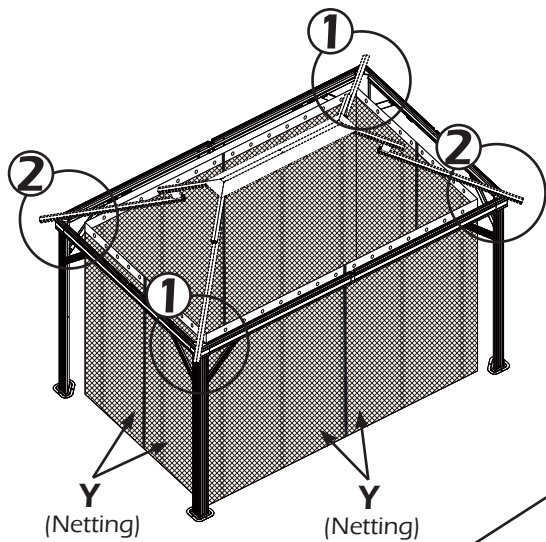


Install netting Y to the inside track and curtain Ya to the outside track.

STEP 4



Align middle grommet with the pole.



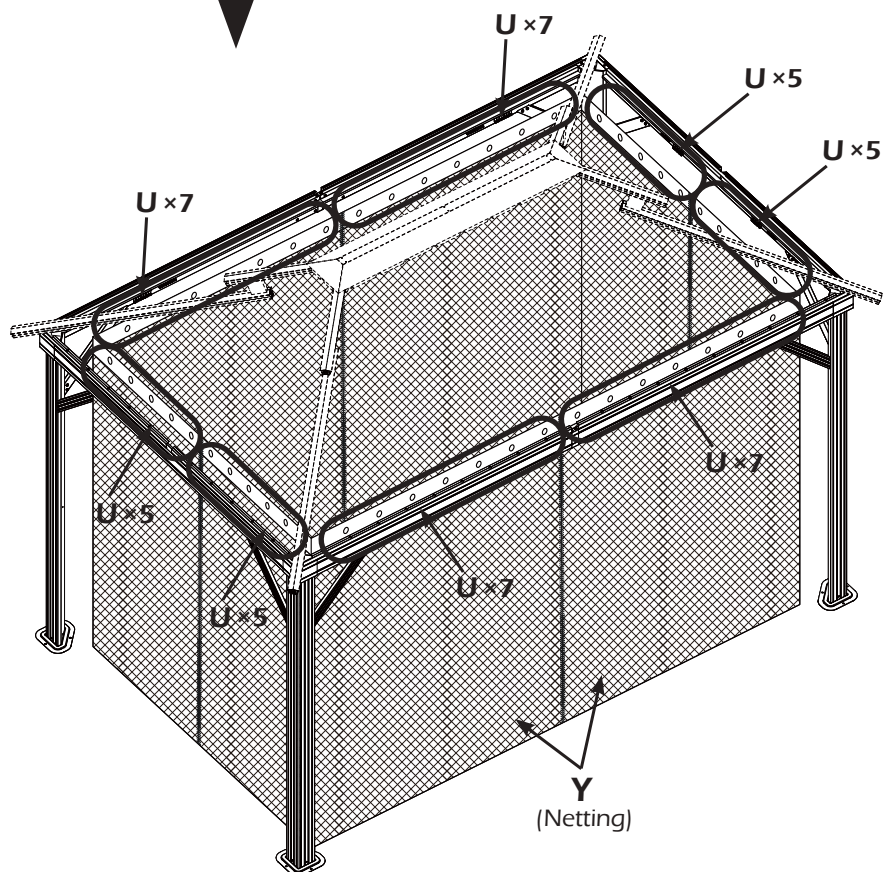
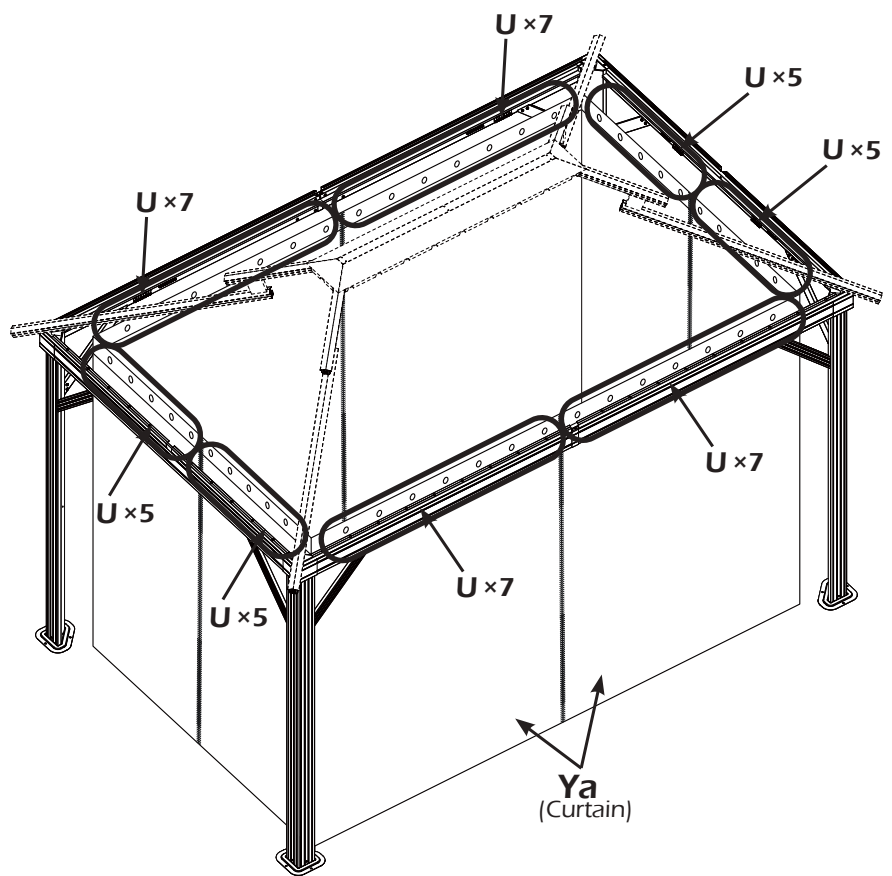
Align strap with the pole.

STEP 4

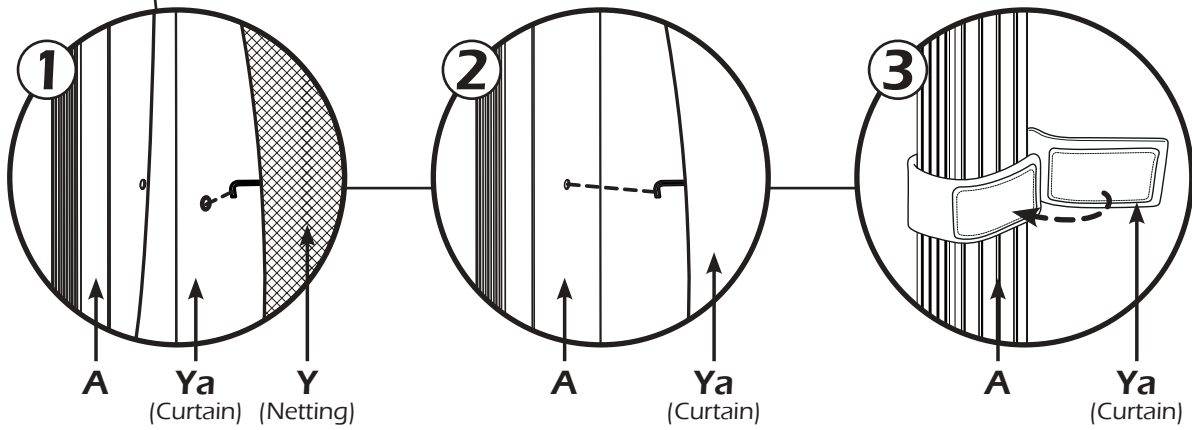
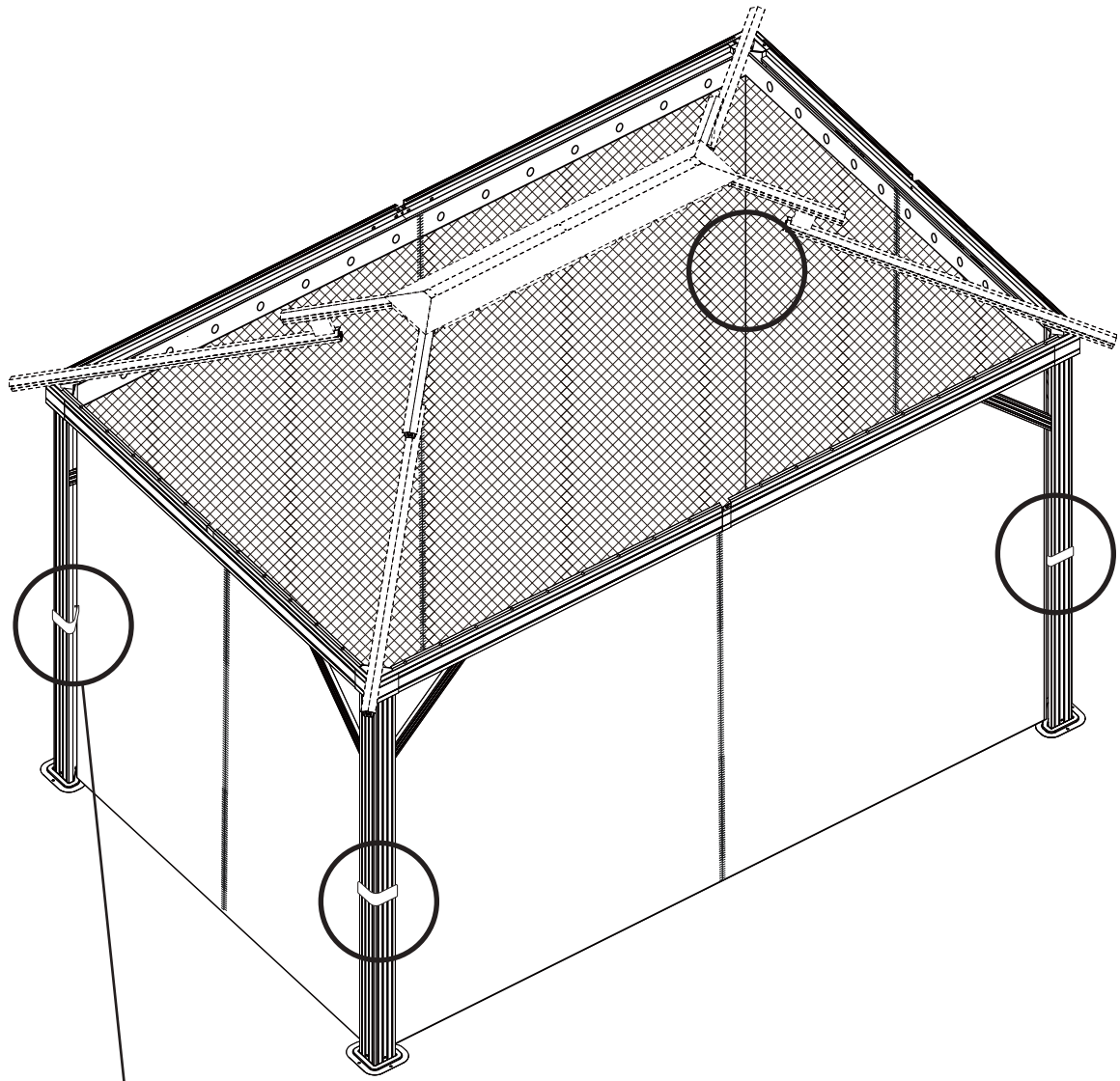
Note: Picture indicates the quantity of holes on the curtain and netting. Each hole matches to one hook.

To install curtain, align middle grommet with the pole first. Make sure that short side has 5 holes and long side has 7 holes. If the holes number is not correct, try another panel.

To install netting, align strap with the pole first. Make sure that short side has 5 holes and long side has 7 holes. If the holes number is not correct, try another panel.



STEP 4



Lock the hook on the netting and tie the strap on curtain.

STEP 4

Care and Cleaning

1. Wash frame parts and fabric with mild soap and water, rinse thoroughly.
2. Dry frame completely and allow the fabric to drip dry.
3. Do not use bleach, acidic material other solvents on fabric or frame parts.
4. Periodically check and tighten bolts and anchors to ensure your gazebo works properly.
5. Snow should be regularly cleared from the roof and not allowed to accumulate.
6. Tighten curtain and netting to the pole when it is incoming over 30 mph wind and remove them in winter.

Warranty

Frame

Frame constructions are warranted to be free from defects in material and workmanship for **1 year** from item purchased.

Bolts & Nuts

Bolts and nuts are warranted to be free from defects in material and workmanship for **1 year** from item purchased.

Curtain & Netting

Curtain and netting are warranted to be free from defects in material and workmanship for **2 years** from item purchased.

Panels

Panels are warranted to be free from defects in material and workmanship for **5 years** from item purchased.

Warranty Limitation & Exclusion

This warranty is for the original purchase order only and it is non-transferable.

The warranty does not cover situations subject to improper operation, poor maintenance, natural uncontrollable factors (heavy rain, snow, storm, hurricane etc.) and damage from exposure to chemicals (including but not only oils, spills, fluids).

Part missing and damage due to transportation will not invalidate warranty. We are responsible to fix or offer free replacements. Please feel free to contact Purple Leaf Customer Service at gazebo@purpleleafgarden.com and provide you order number.

The transportation and delivery costs, as well as the assembly or disassembly fees paid to third parties, remain the responsibility of the purchaser.

Purchasers of "Open Box" , Second-Hand purchasers or original purchasers outside of the warranty period can obtain replacement parts for the current production product from Purple Leaf at nominal cost.

Purple Leaf reserves the right to explain warranty exclusions. When replacement item is applied, warranty automatically expires.



Purple Leaf Inc.
15950 Boyle Avenue, Fontana,
CA, 92337, US
gazebo@purpleleafgarden.com
©Copyright 2013-2025 Purple Leaf Inc.
All Rights Reserved.V1.