

## NOTICE

- \* Please make sure that you have all parts indicated and they are in good condition before you begin assembly of this item. Refer to part list and hardware list below for guidance.
- \* This item should be assembled on a soft surface to prevent scratching the finish during assembly.
- \* This item may require periodic tightening.
- \* If you having difficulty, our friendly Customer Care team is always here to help.



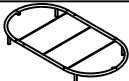
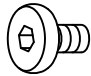

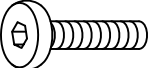
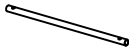

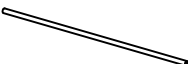








## PREPARATION

- \* Before beginning assembly of product, make sure all parts are present. Compare parts with part contents list and hardware contents list.
- \* If any part is missing or damaged, do not attempt to assemble the product.
- \* Estimated Assembly Time: 30 minutes.
- \* Tools Required for Assembly (included): Allen Key

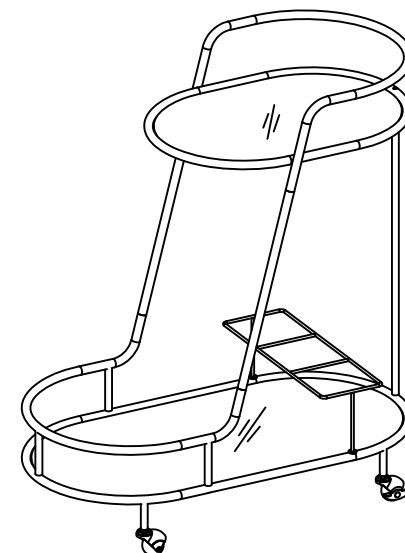
## CARE AND MAINTENANCE

Always use felt pads under all articles to prevent discoloration or softening of the lacquer. Plastic and rubber bases on items can discolor wood. Wipe up spills immediately and avoid common hazards such as hot dishes, harsh solvents and abrasives. Cleaning should be done with a soft lint free cotton cloth dampened with water or furniture polish. On highly used surfaces we recommend applying a quality paste wax which should be used on a regular basis to provide additional protection from scratches and spills. How often you apply the wax depends on how much wear the furniture receives.

### Part List and Hardware List

PIECE	DESCRIPTION	PICTURE	QUANTITY	PIECE	DESCRIPTION	PICTURE	QUANTITY
A	Top Frame		1X	HW2	Wrench		1X
B	Bottom Frame		1X	HW3	Hex Bolt 1/4" x 1.2mm x 9mm		10X
C	Railing Frame		1X	HW4	Hex Bolt 1/4" x 1.2mm x 32mm		5X
D	Pillar L: 390mm		2X	HW5	Inner Tube		4X
E	Pillar L: 600mm		1X	HW6	Caster		2X
F	Rack		1X	HW7	Caster with Brake		2X
G	Large Mirror		1X	HW8	Rubber Mat		4X
H	Small Mirror		1X	HW9	Rubber Pipe		8X
HW1	Allen Key		1X				

Product Dimension: 34.5" x 15.75" x 31.25"H

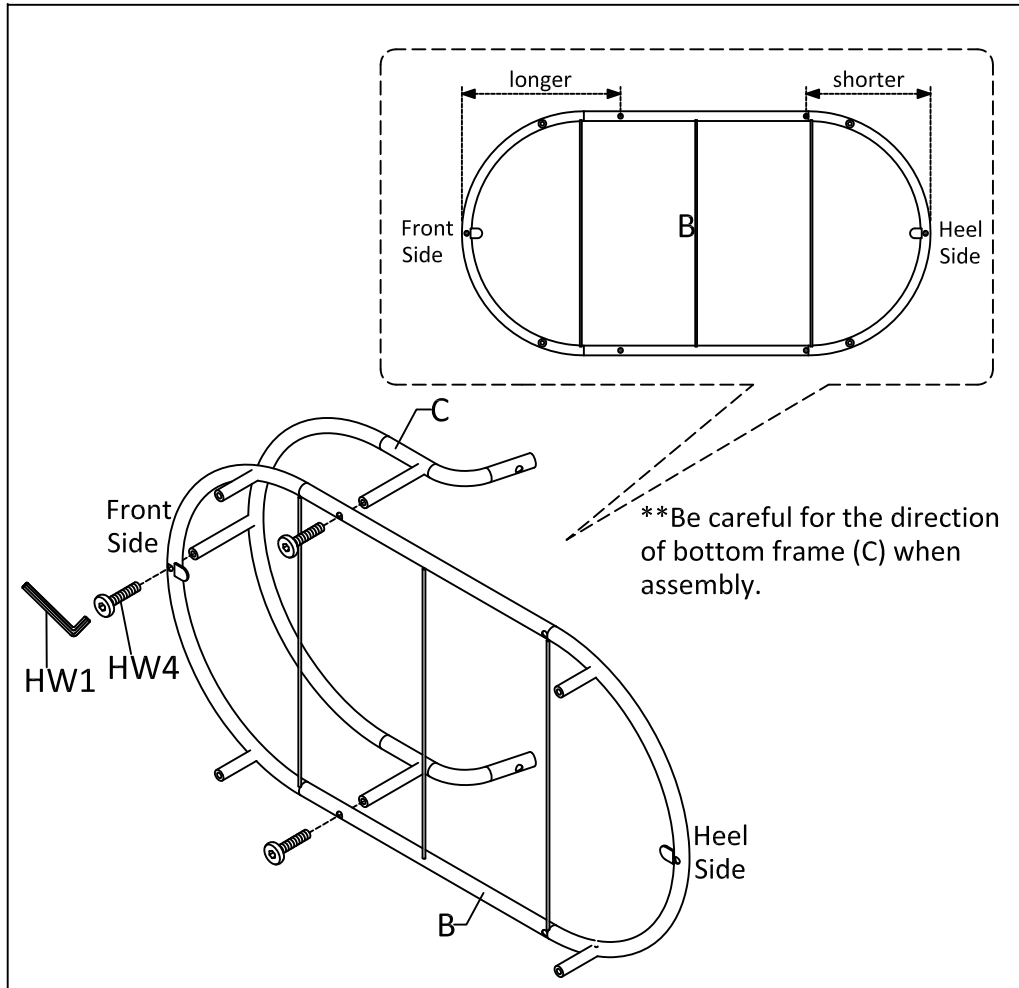


### WARNING

Weight Capacity - 22.05 LBS per shelf  
Warning : Do not stand on Cart.  
Warning : Do not over torque bolts.

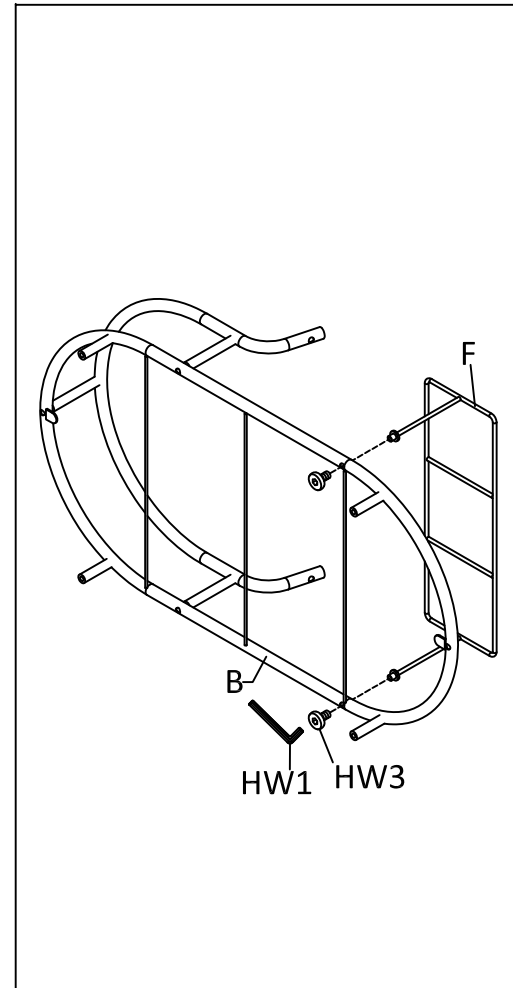
# PREPARATION

- \* Before beginning assembly of product, make sure all parts are present. Compare parts with part contents list and hardware contents list.
- \* If any part is missing or damaged, do not attempt to assemble the product.
- \* Estimated Assembly Time: 30 minutes.
- \* Tools Required for Assembly (included): Allen Key
- \* If you having difficulty, our friendly Customer Care team is always here to help.



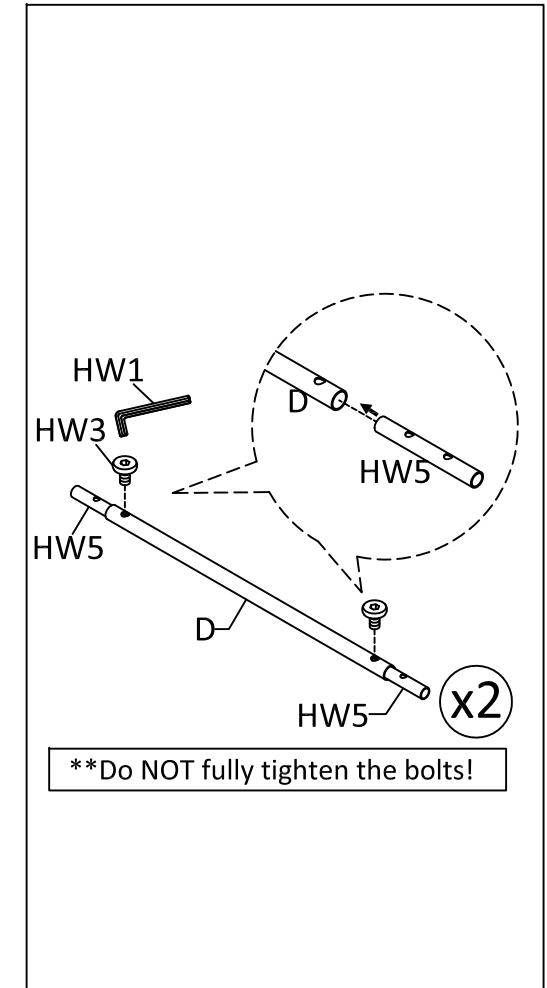
## STEP1 :

Assemble railing frame (C) to bottom frame (B) with bolts (HW4) by use of Allen key (HW1) as shown in drawing.



## STEP2 :

Assemble rack (F) to bottom frame (B) with bolts (HW3) by use of Allen key (HW1) as shown in drawing.

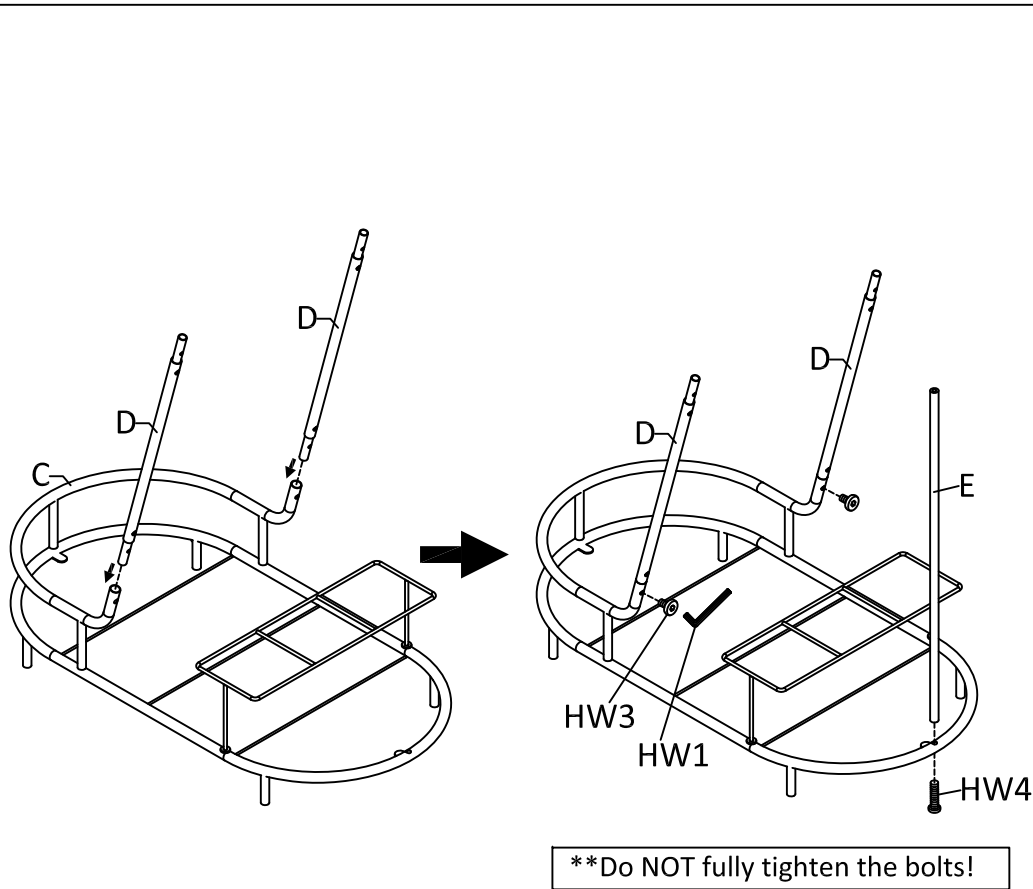


## STEP3 :

Insert the inner tubes (HW5) into the end on pillar (D), then assemble inner tubes (HW5) and pillar (D) with bolts (HW3) by use of Allen key (HW1) as shown in drawing.

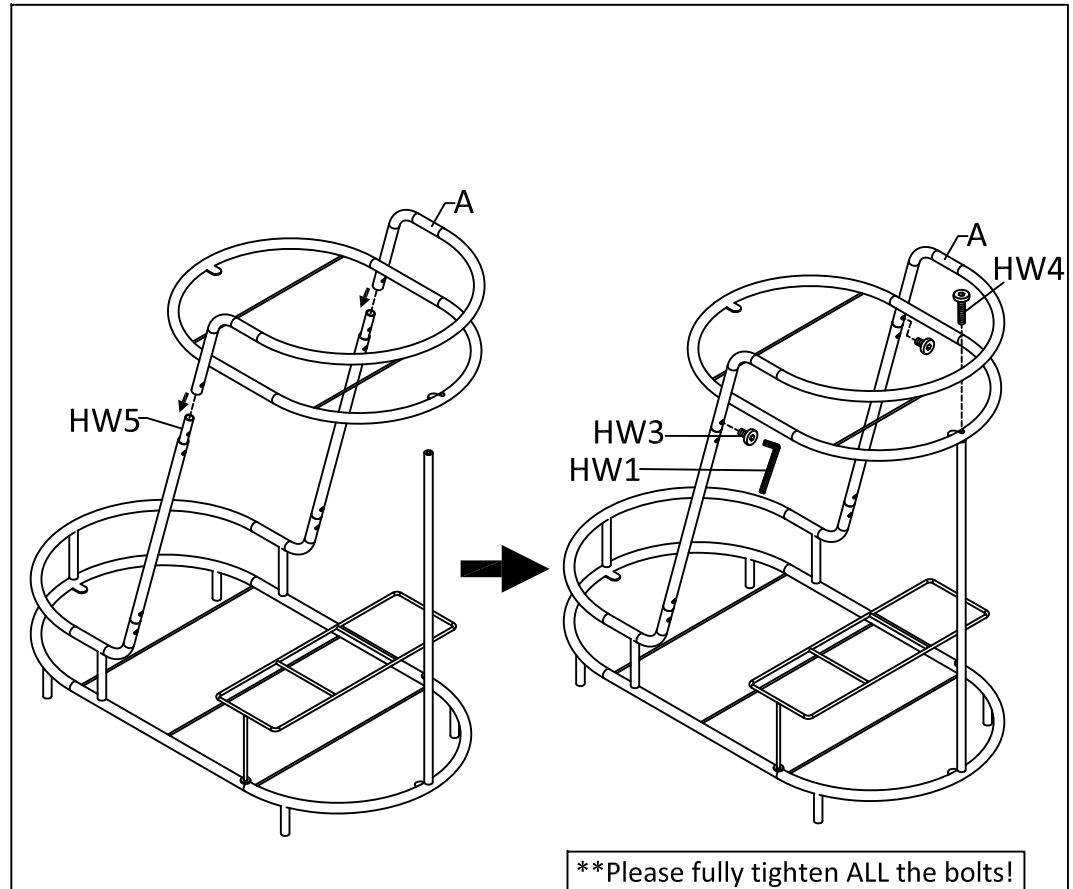
## PREPARATION

- \* Before beginning assembly of product, make sure all parts are present. Compare parts with part contents list and hardware contents list.
- \* If any part is missing or damaged, do not attempt to assemble the product.
- \* Estimated Assembly Time: 30 minutes.
- \* Tools Required for Assembly (included): Allen Key
- \* If you having difficulty, our friendly Customer Care team is always here to help. Please email [customersupport@safavieh.com](mailto:customersupport@safavieh.com)



### STEP4 :

Insert the assembled parts from STEP3 (D, HW5) into the end on railing frame (C), then assemble them with bolts (HW3) by use of Allen key (HW1). Then, assemble pillar (E) to bottom frame (B) with bolts (HW4) by use of Allen key (HW1) as shown in drawing.

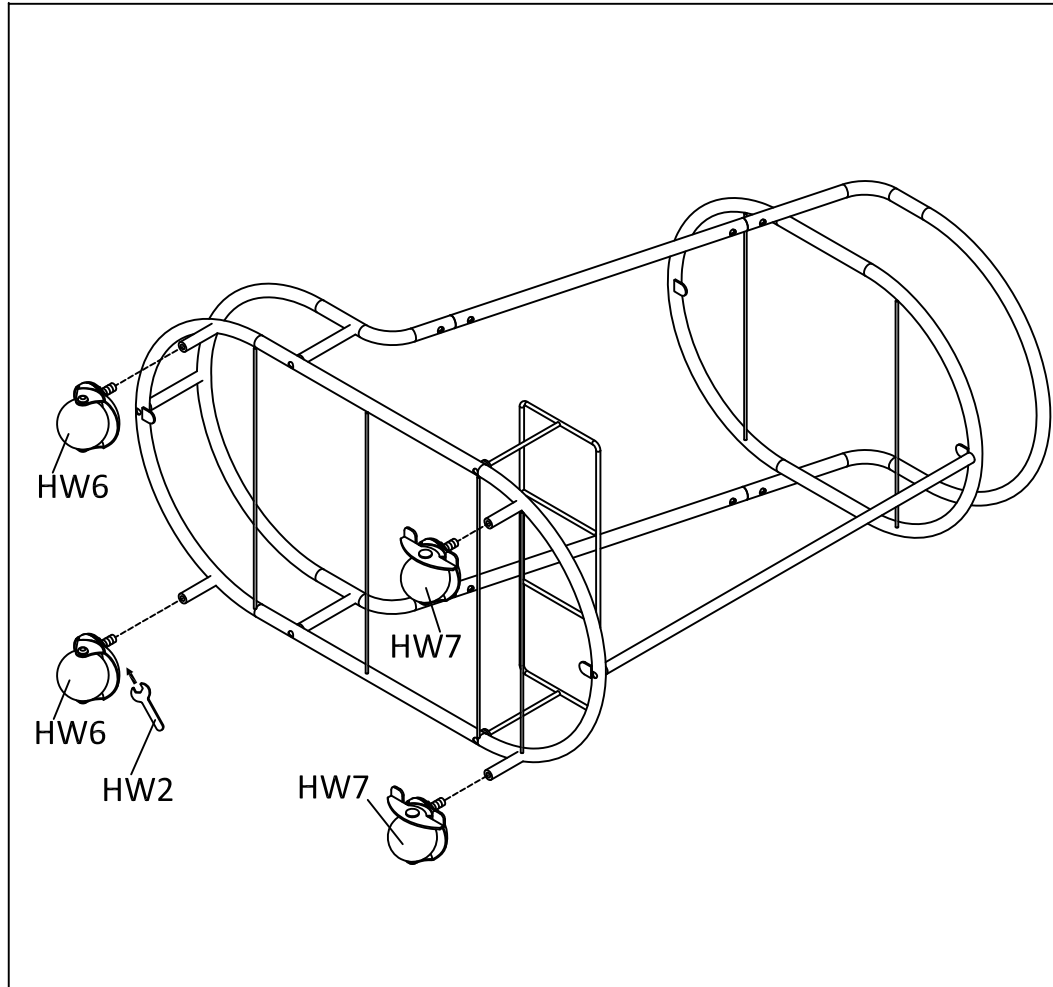


### STEP5 :

Insert the inner tube (HW5) into the end on top frame (A), then assemble them with bolts (HW3) by use of Allen key (HW1). Then, assemble pillar (E) to top frame (A) with bolts (HW4) by use of Allen key (HW1) as shown in drawing.

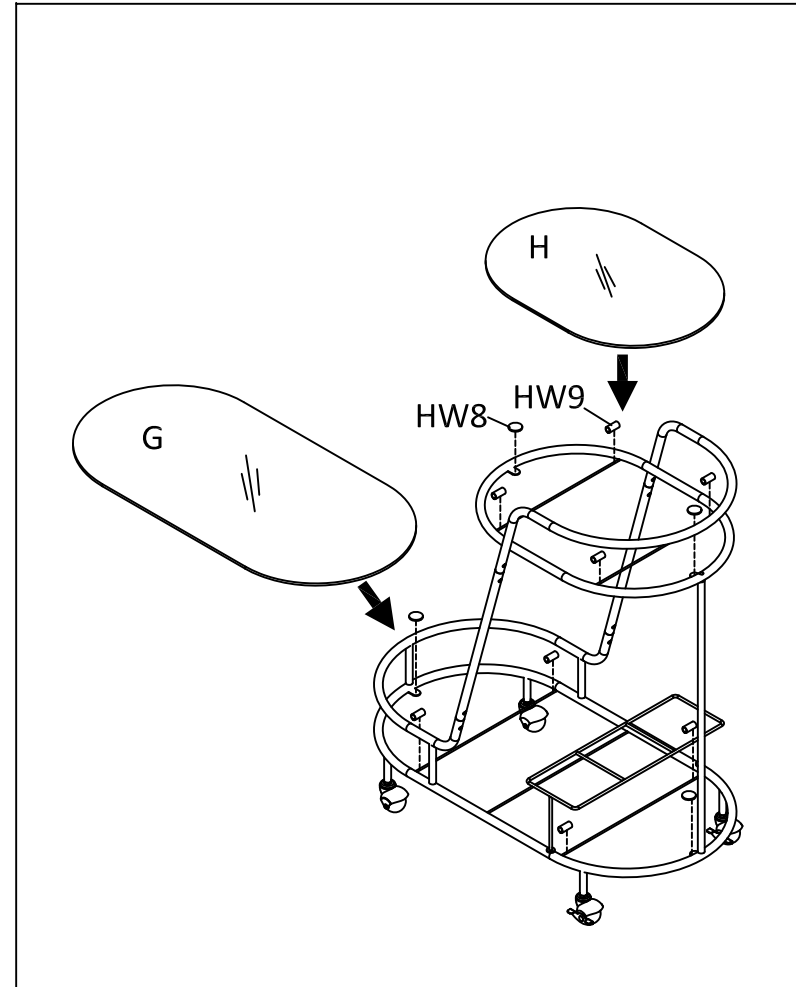
## PREPARATION

- \* Before beginning assembly of product, make sure all parts are present. Compare parts with part contents list and hardware contents list.
- \* If any part is missing or damaged, do not attempt to assemble the product.
- \* Estimated Assembly Time: 30 minutes.
- \* Tools Required for Assembly (included): Allen Key
- \* If you having difficulty, our friendly Customer Care team is always here to help. Please email [customersupport@safavieh.com](mailto:customersupport@safavieh.com)



### STEP6 :

Screw in casters (HW6 & HW7) onto the nut on the bottom frames (B) by use of open end wrench (HW2) as shown in drawing.



### STEP7 :

Stick rubber mats (HW8) onto the top frame (A) and bottom frame (B), insert the rubber pipe (HW7) into bar of top frame (A) and bottom frame (B), then, place mirror (G, H) onto the assembled cart as shown in drawing.