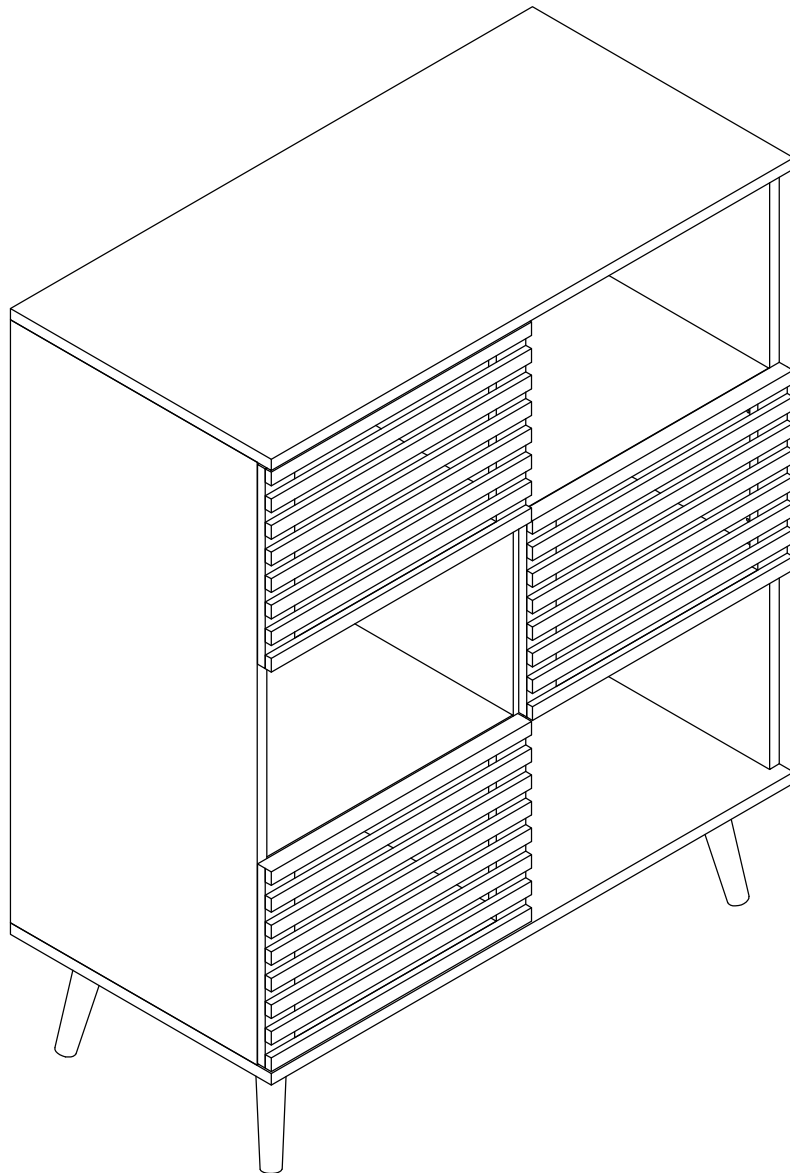


Installation Instruction



Assembling

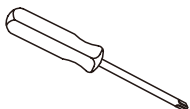
Estimated time for assembly



30:00

What you need

- Use the packaging carton as a working surface to prevent product damage during assembly
- Phillips head screwdriver



Weight Limitation



66

lbs table top

| 30

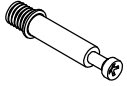
lbs per shelf

What's included

Code	Description	Qty
A	Cam Bolt M6X35MM	22
B	Cam Lock 15X10MM	22
C	Wooden Dowel M8X30MM	28
D	Screw M4X35MM	8
E	Screw M3.5X14MM	36
F	Anchor M6X30MM	2
G	Metal Pin	4
H	Screw M4X14MM	22
I	Plastic corner support	8
J	Screw M3X14MM	8
K	Nylon Strap	2
L	Folding hinge	6

The Hardwares

(A)



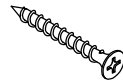
(B)



(C)



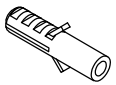
(D)



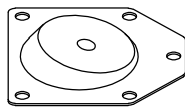
(E)



(F)



(G)



(H)



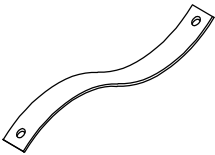
(I)



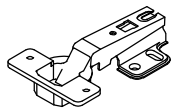
(J)



(K)



(L)

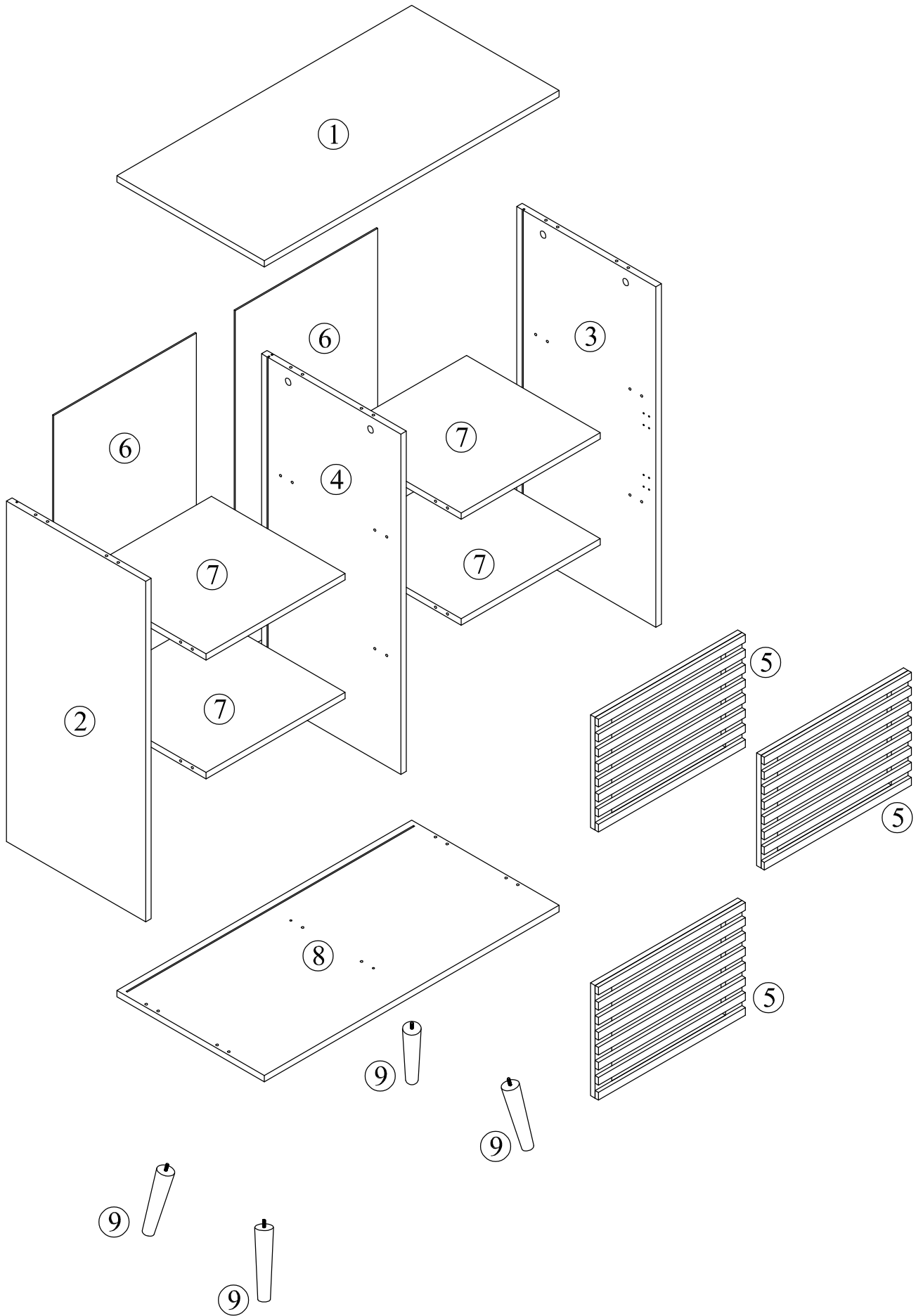


IMPORTANT:

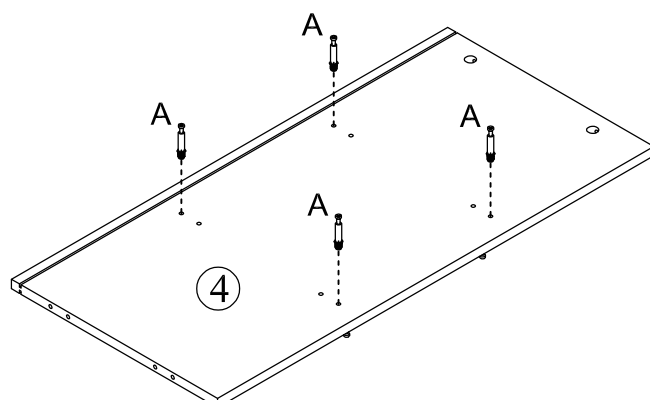
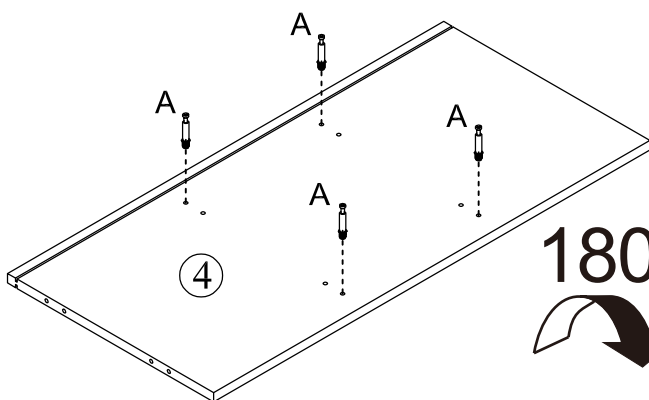
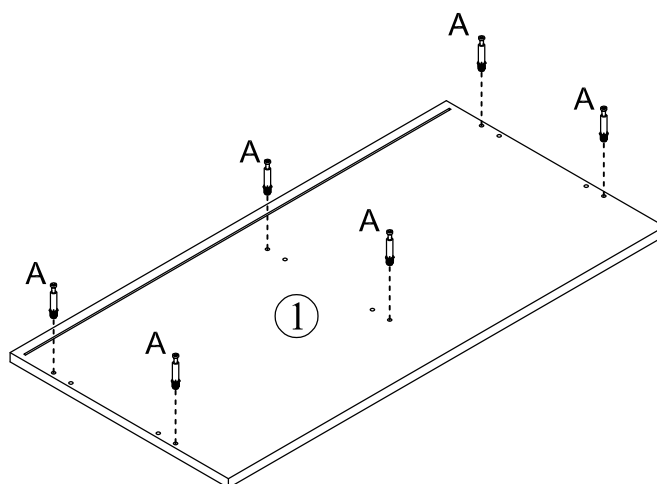
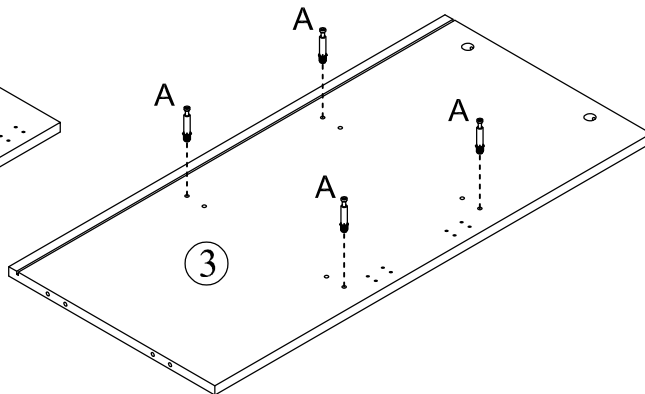
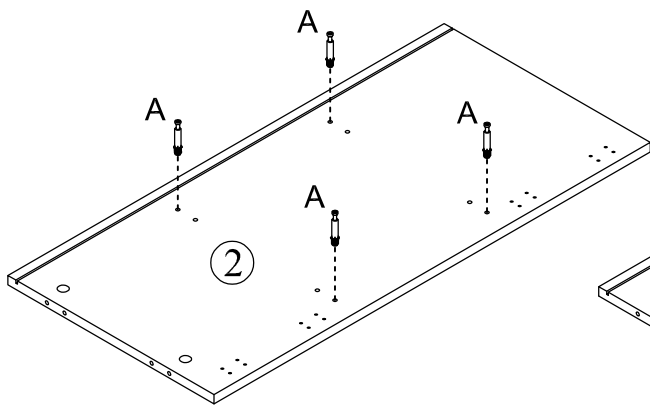
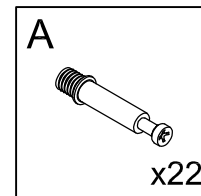
1. Do not tighten bolts / screws completely until all bolts / screws are lined up and inserted into holes.
2. Do not over tighten screws and bolts to avoid stripping.
3. Please use hand tools to assemble this product. Do not use power tools.

Included Accessories

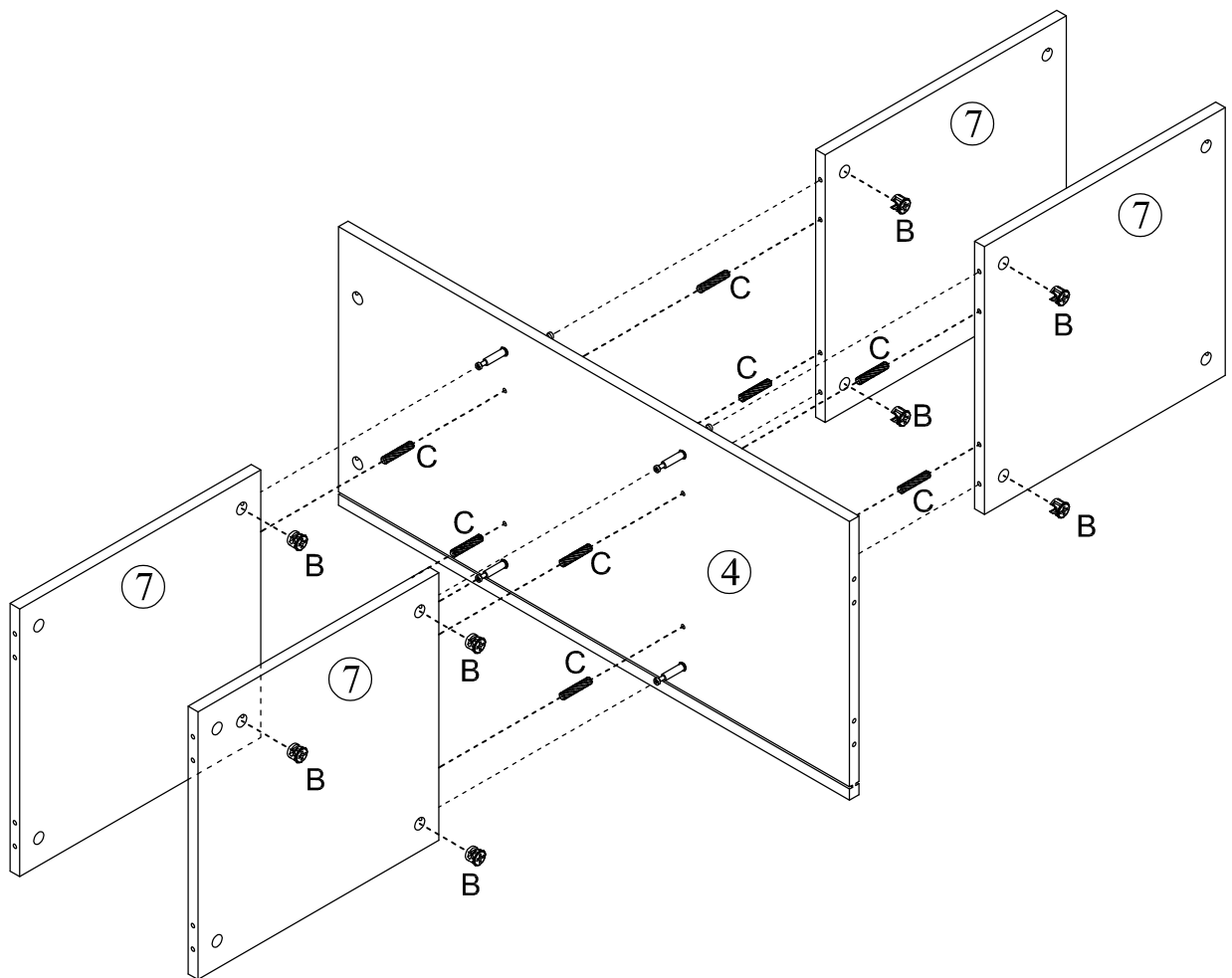
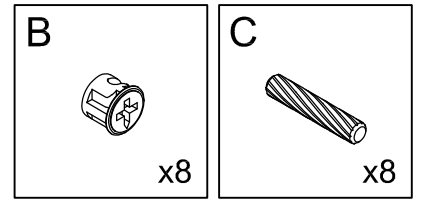
Code	Description	Qty
1	Cabinet Top	1
2	Left Side Panel	1
3	Right Side Panel	1
4	Middle Division Panel	1
5	Door	3
6	Back Panel	2
7	Shelf	4
8	Bottom Panel	1
9	Leg	4



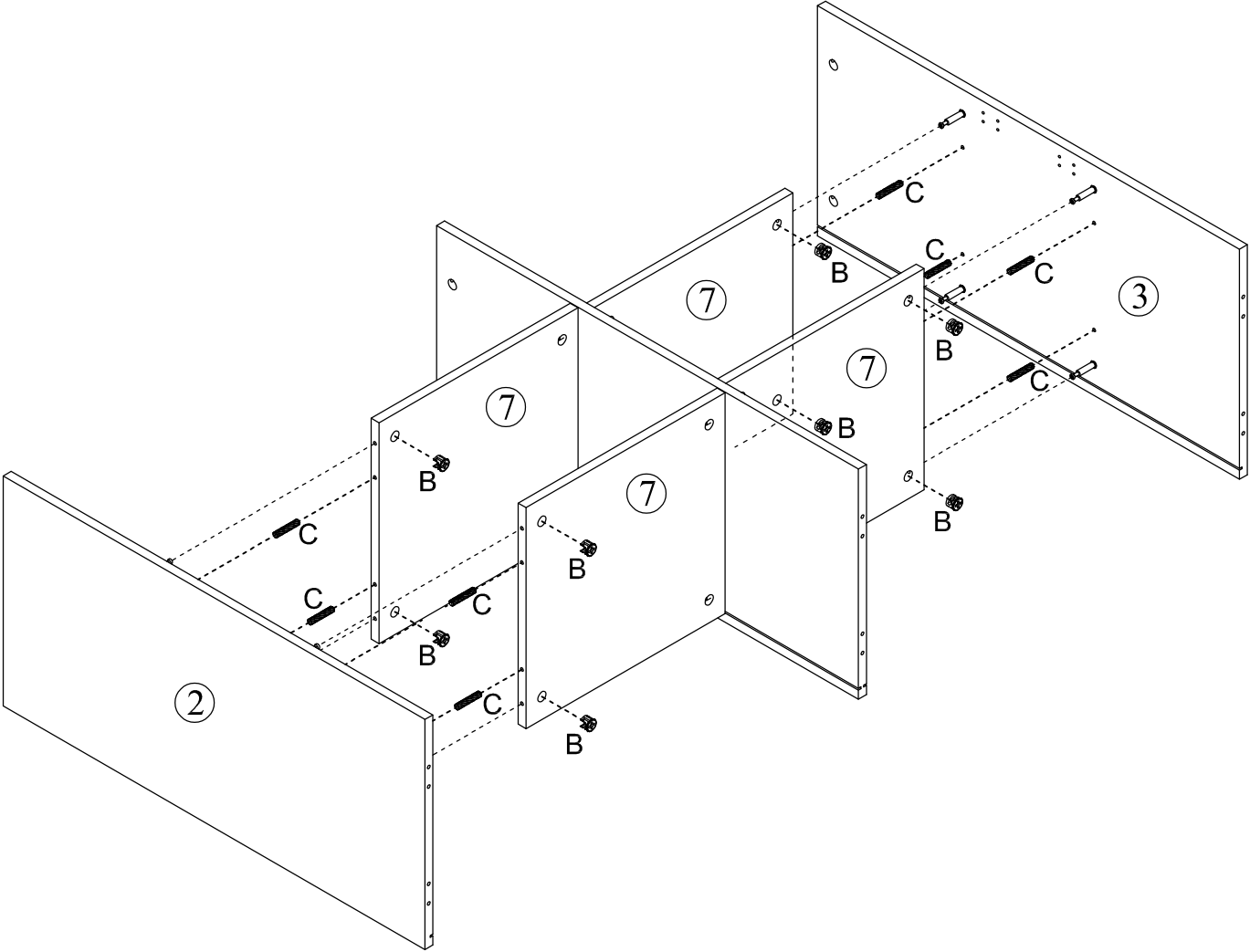
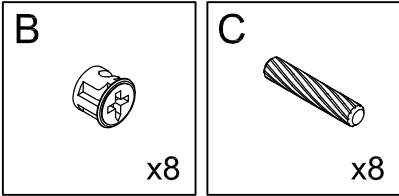
STEP 1



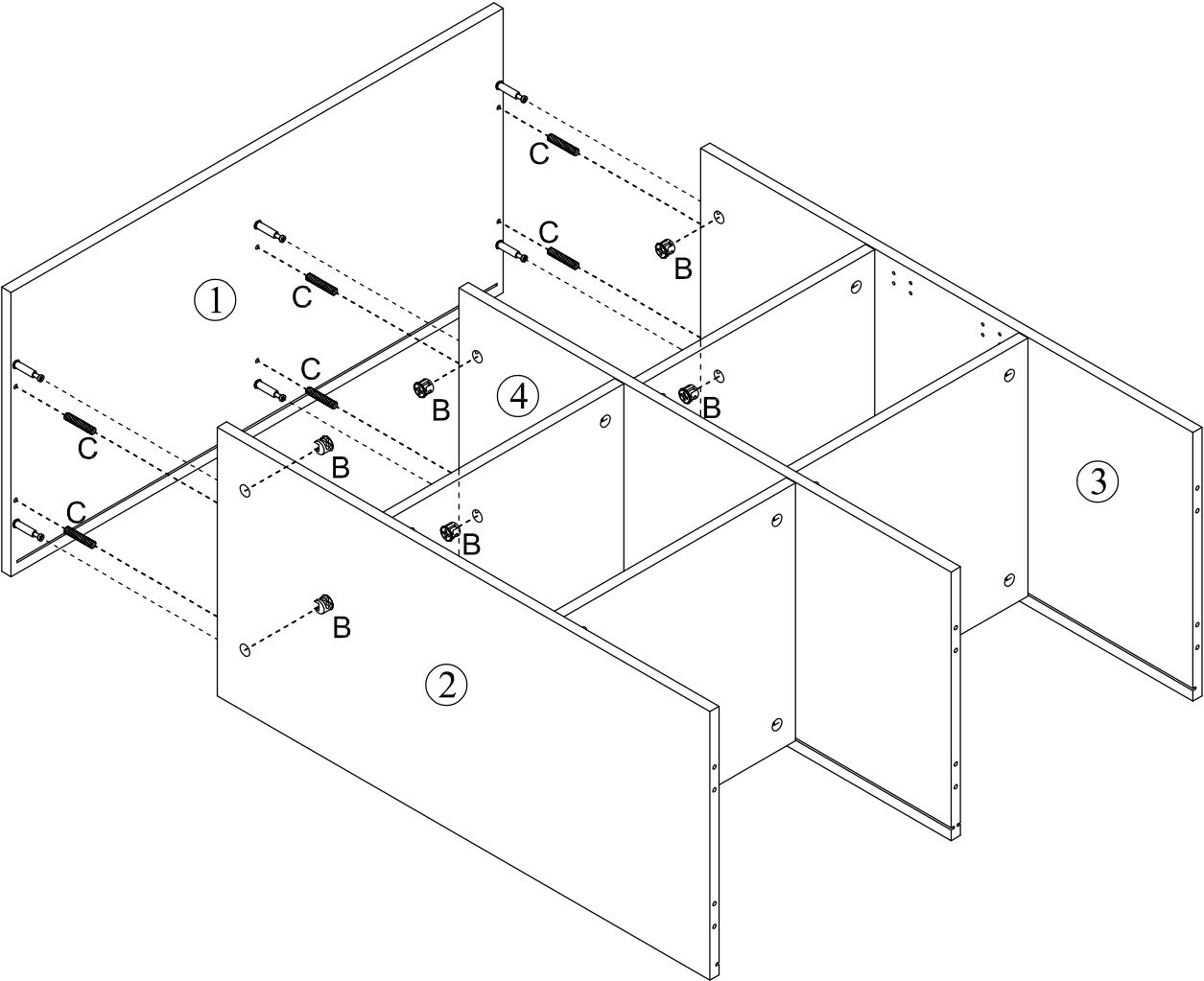
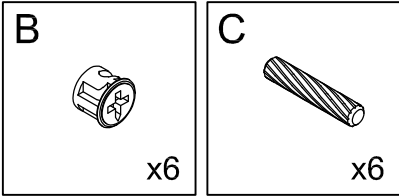
STEP 2



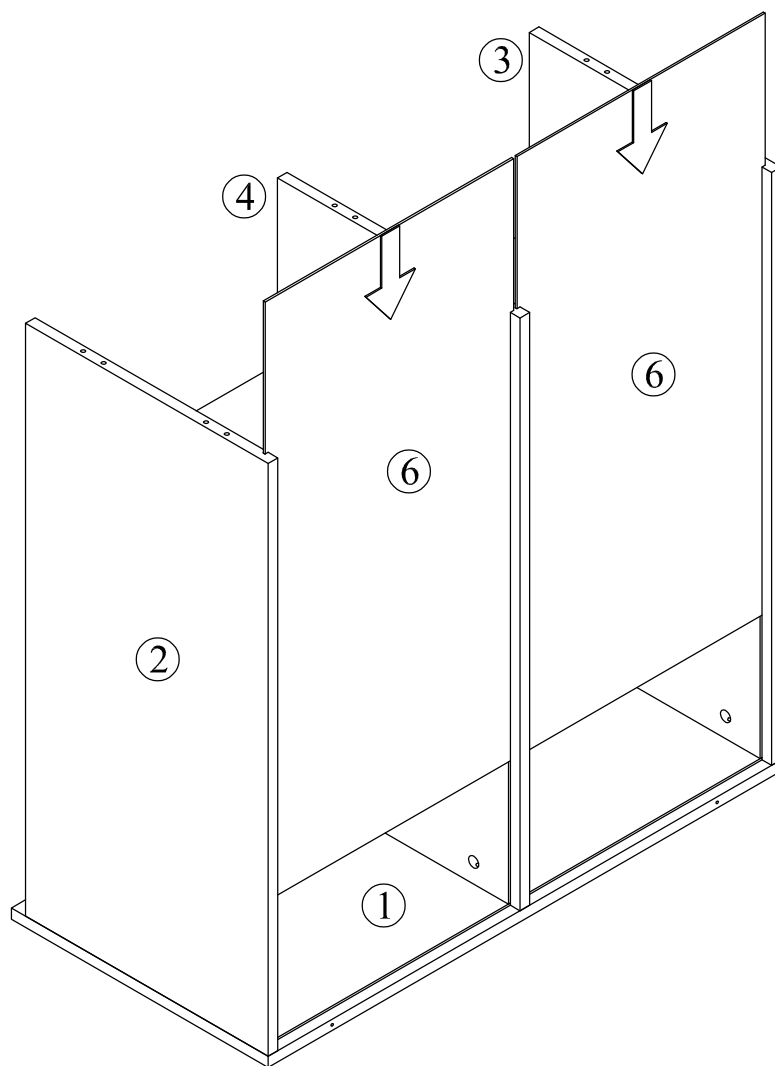
STEP 3



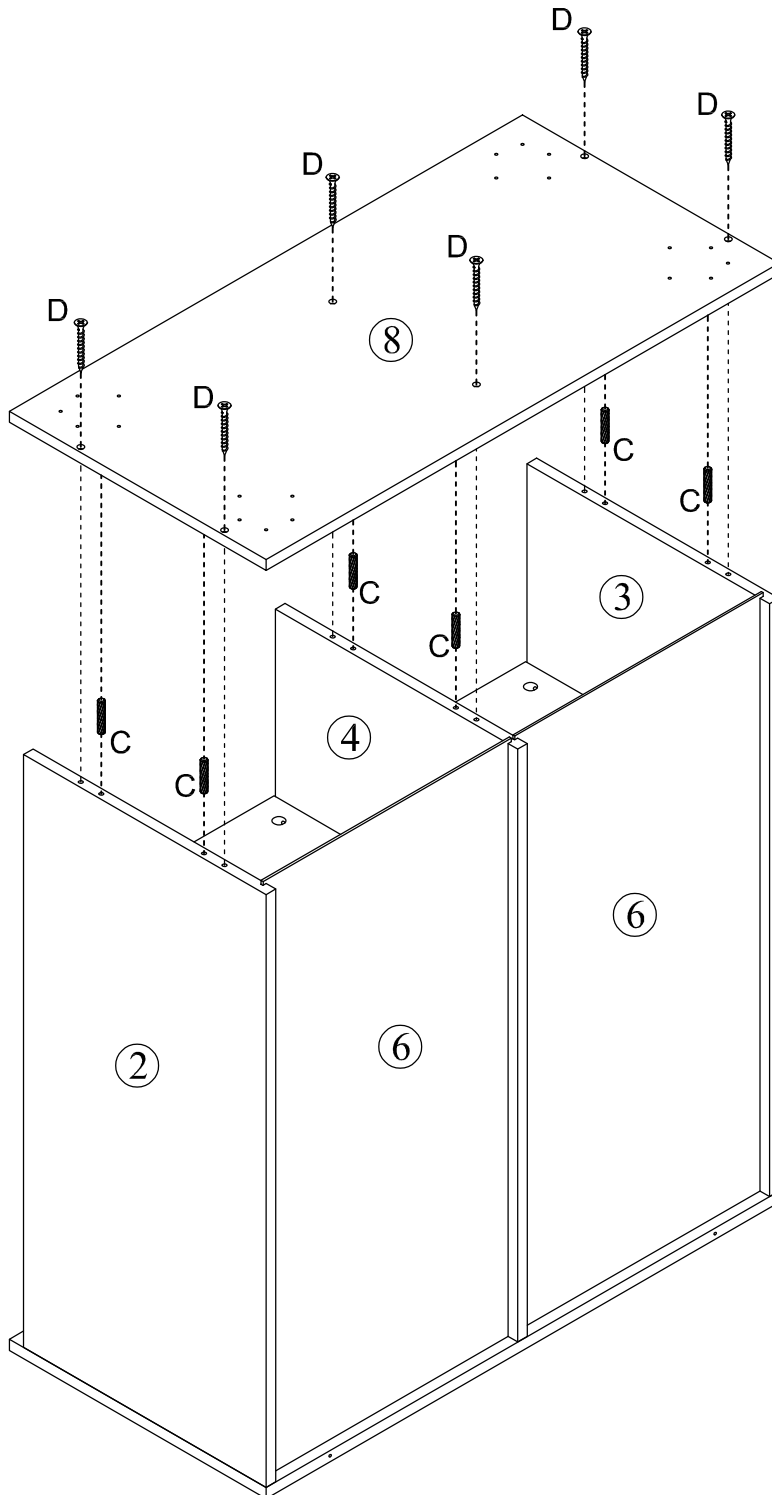
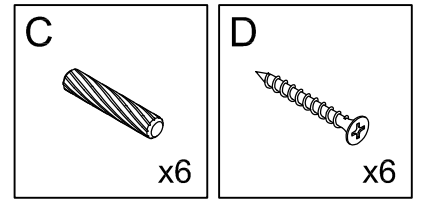
STEP 4



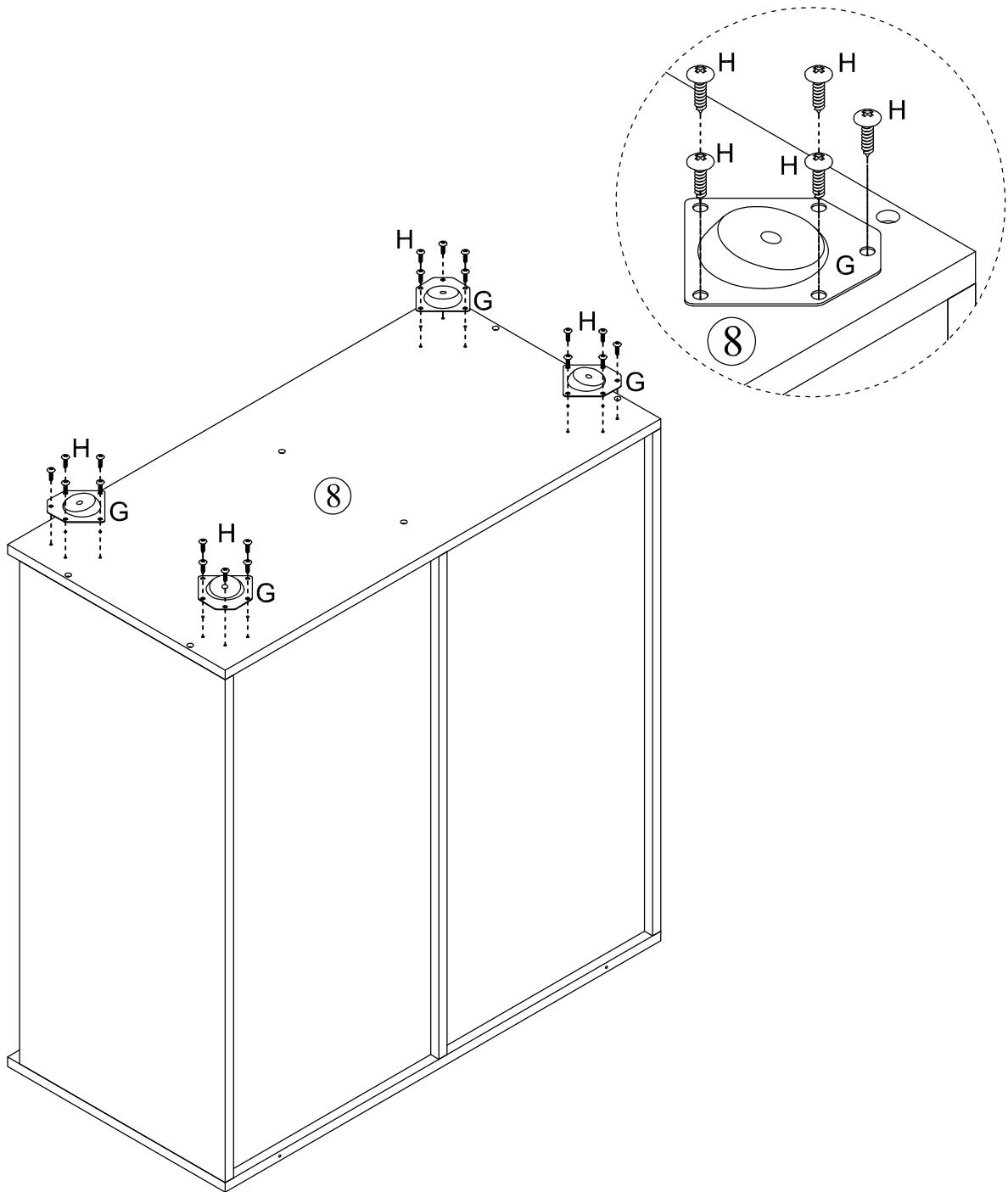
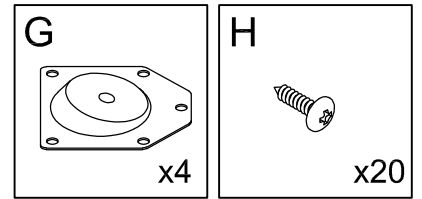
STEP 5



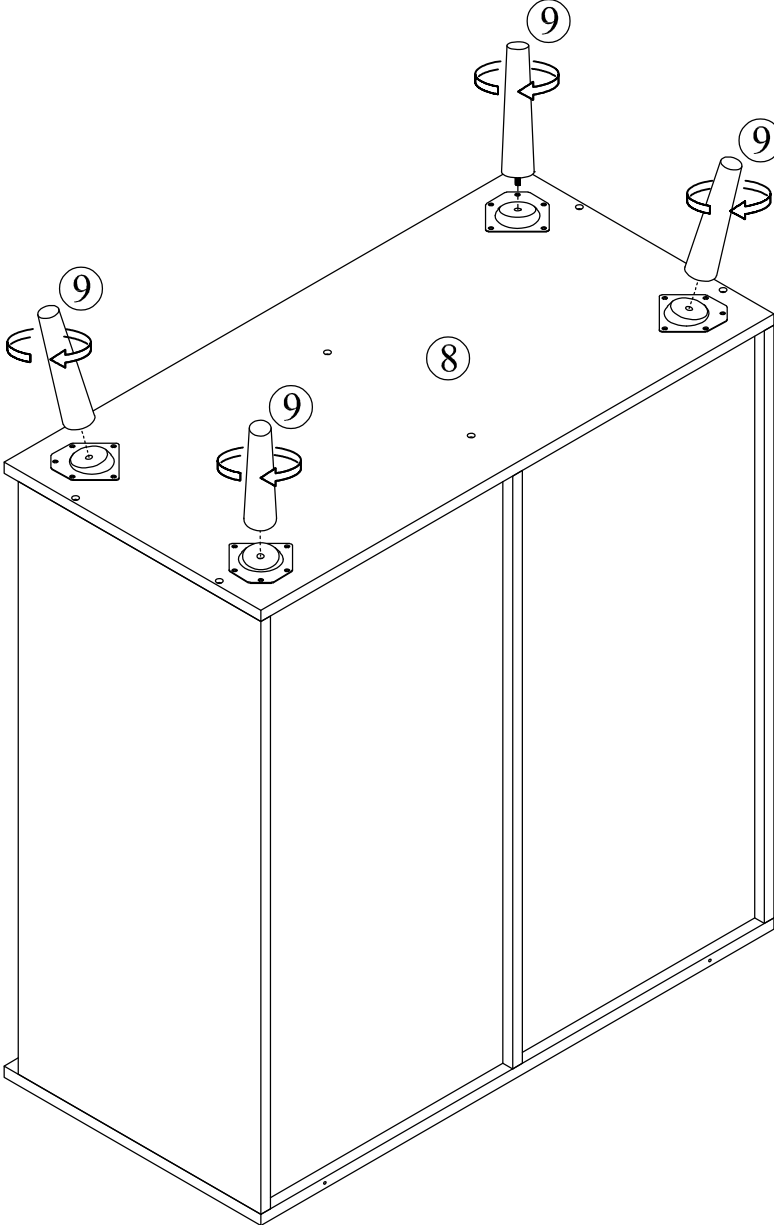
STEP 6



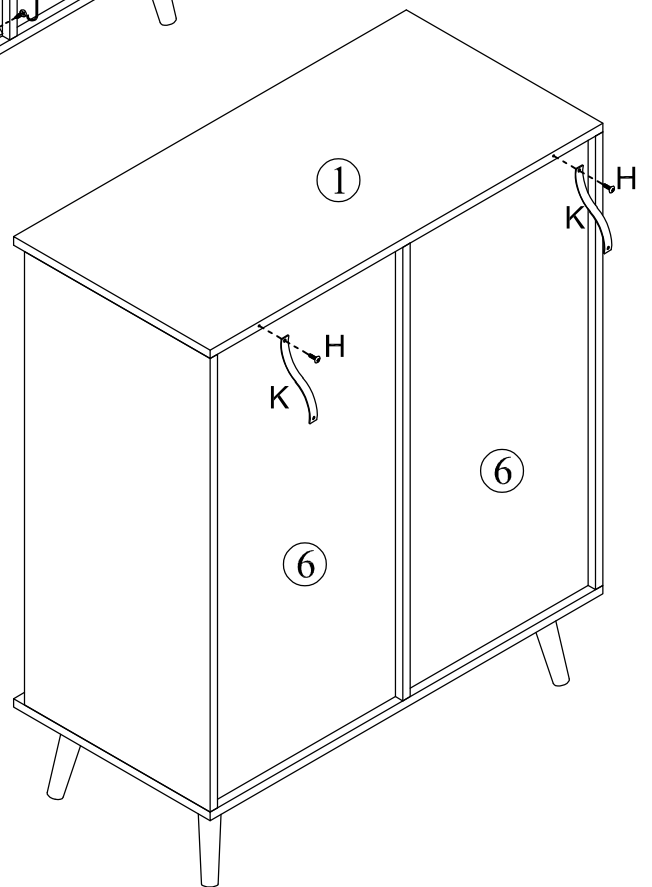
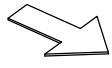
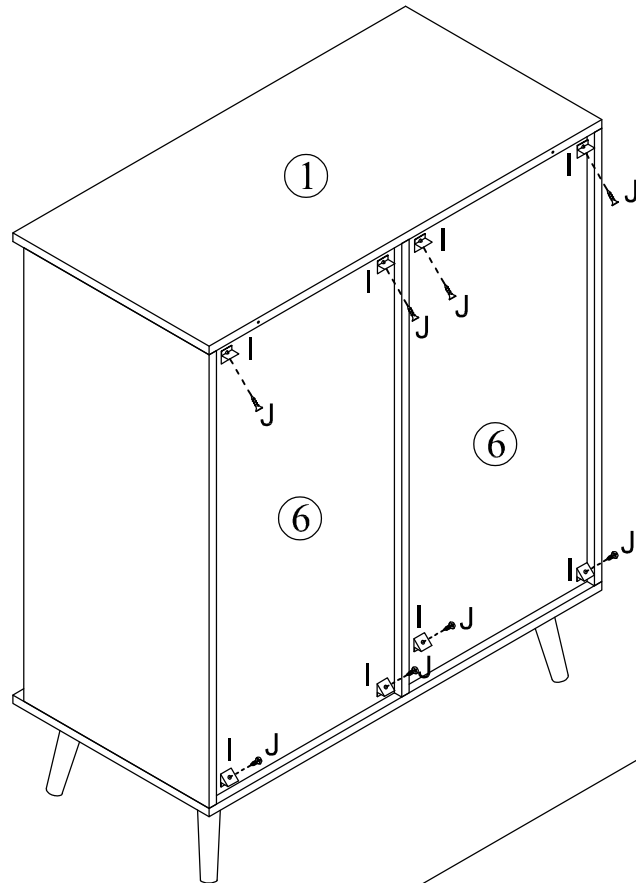
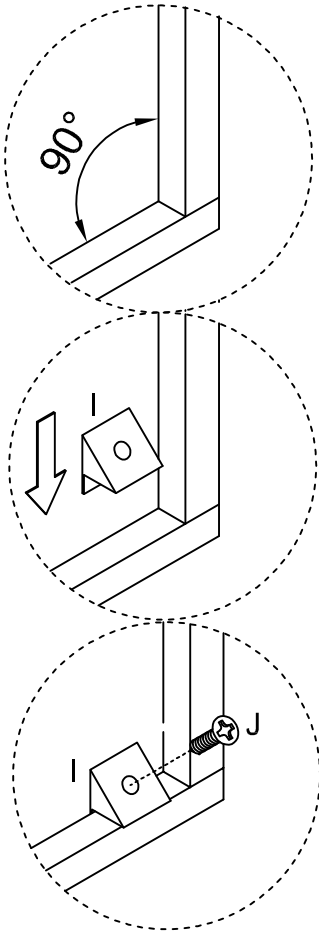
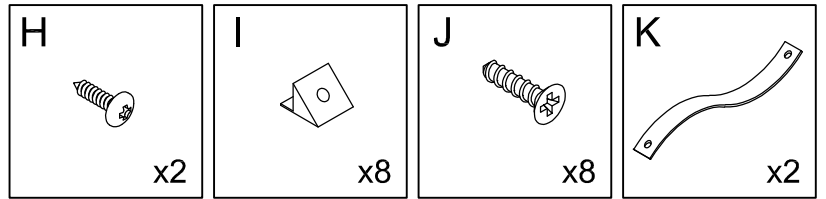
STEP 7



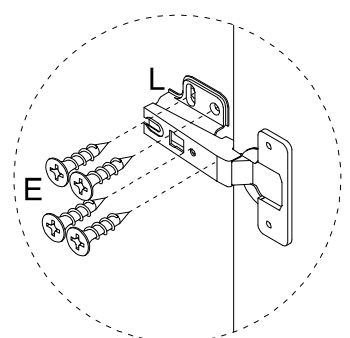
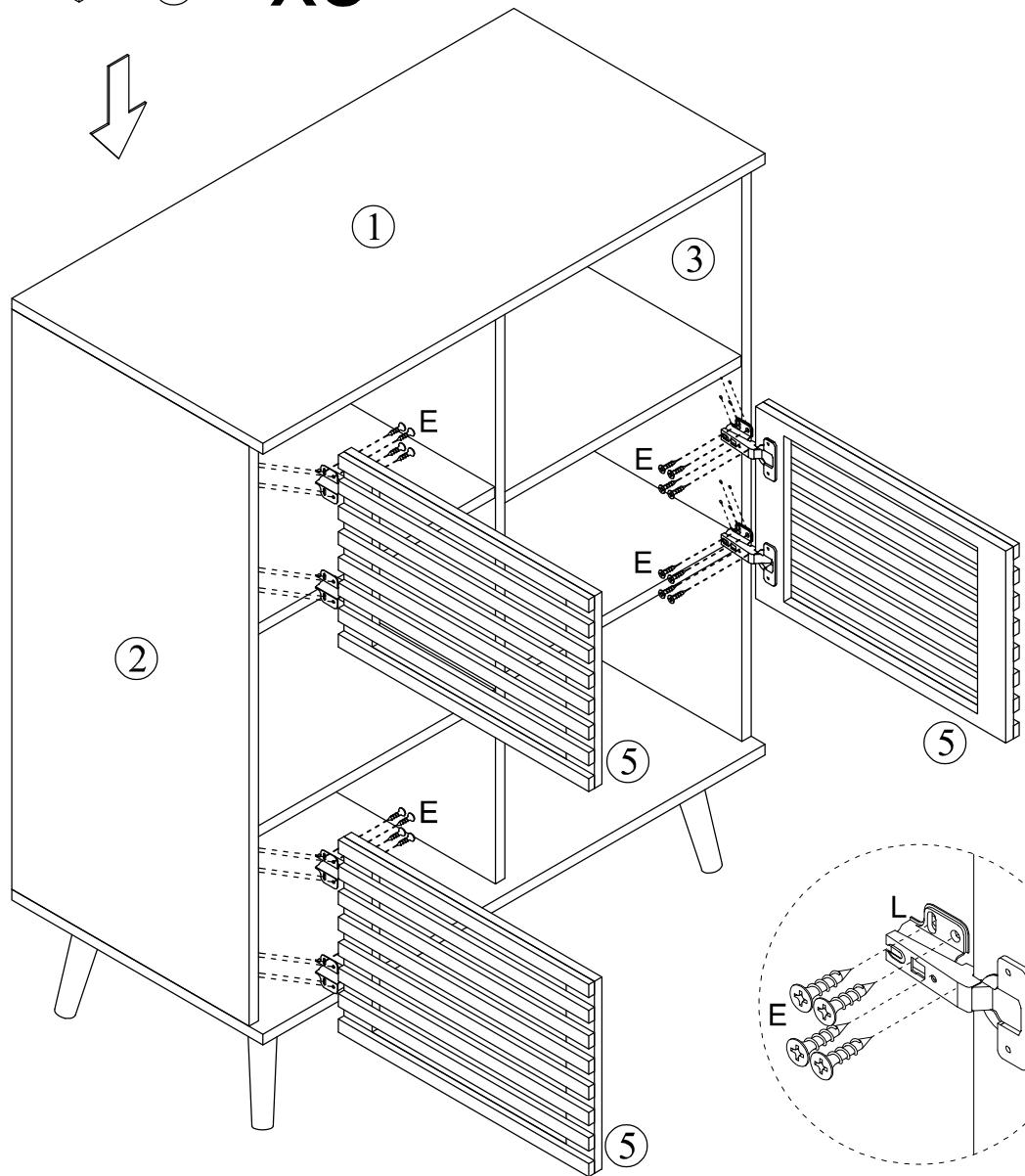
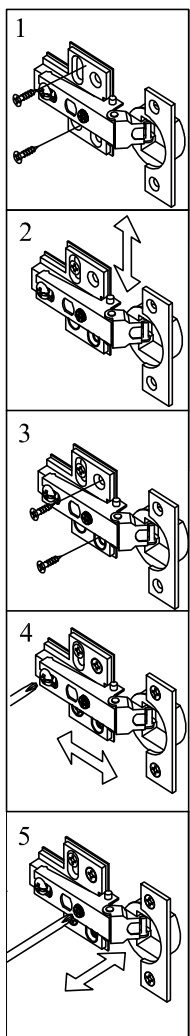
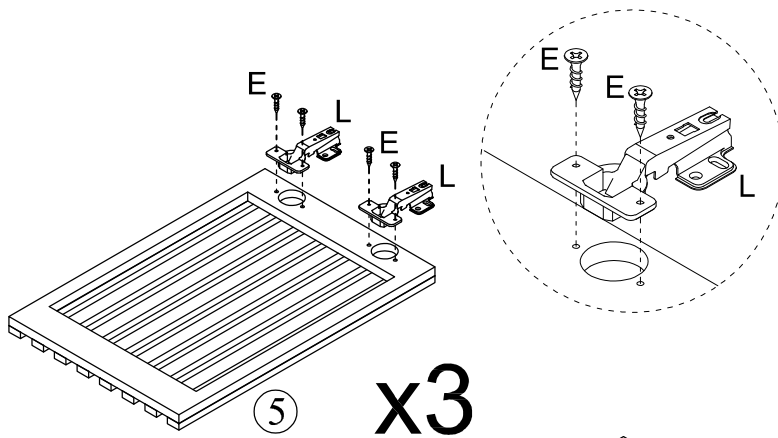
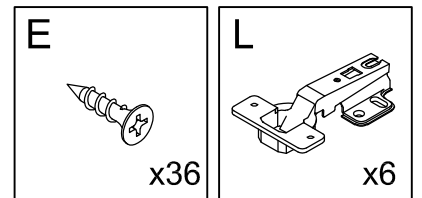
STEP 8



STEP 9



STEP 10



STEP 11

