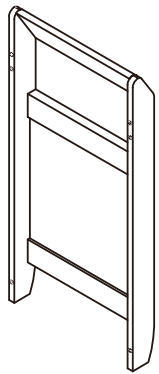
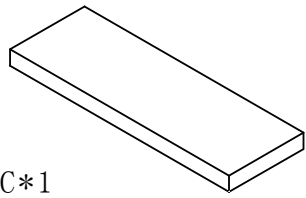


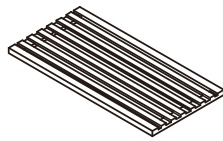
A*1



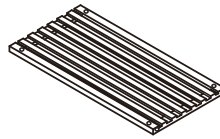
B*1



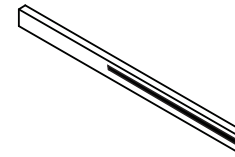
C*1



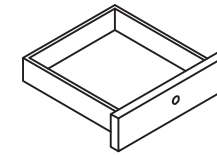
D*1



E*1



F*2



G*1



x12

①



x1

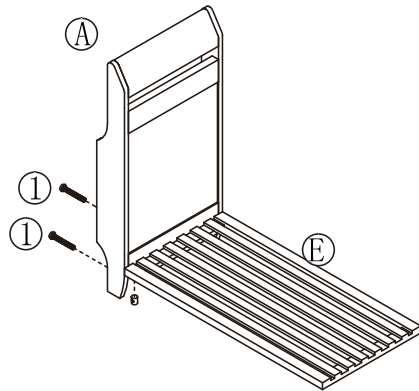
③



x4

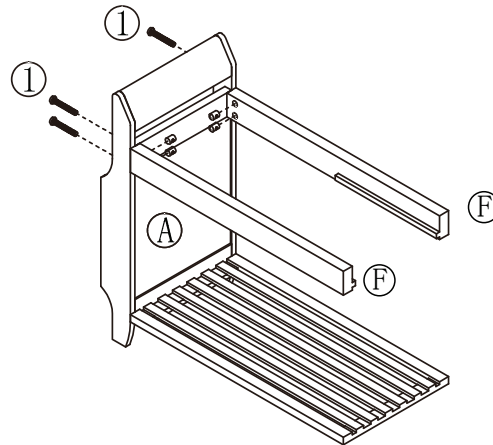
③

①



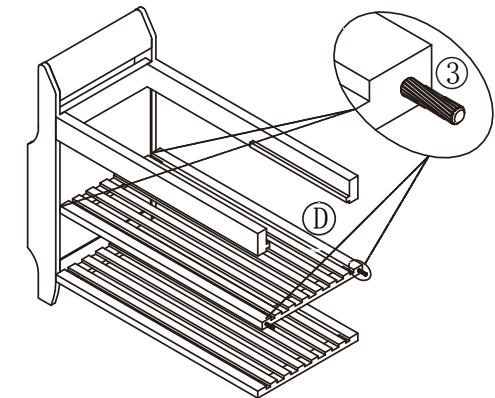
Fix the board E on A with screw ①

②



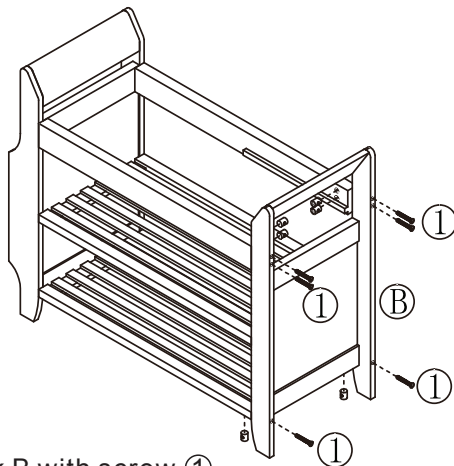
Fix the bar F on A with screw ①

③



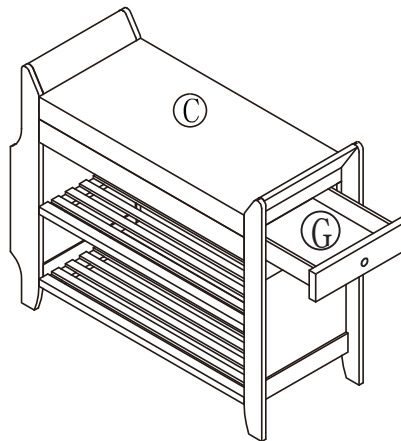
Insert the wooden plugs ③ inside the board D through the holes to connect A and D

④



Fix rack B with screw ①

⑤



Put the drawer inside, then put the board C upon the rack to finish the installation

