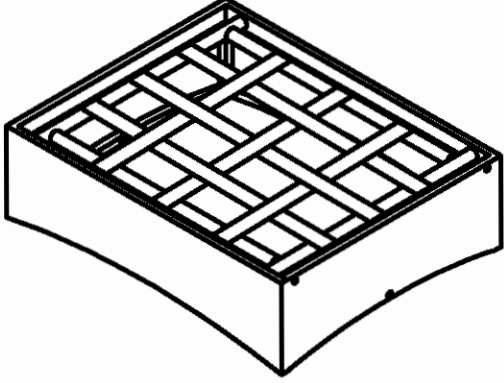
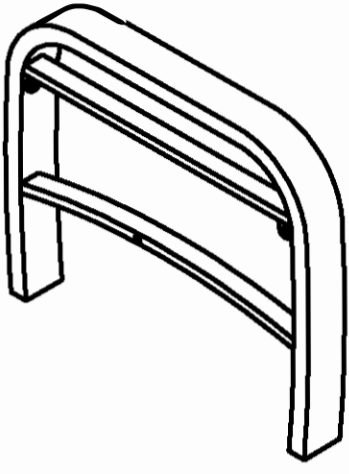
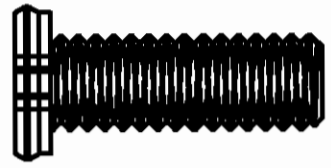
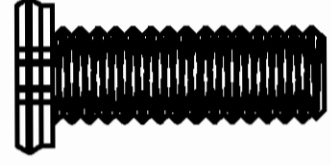
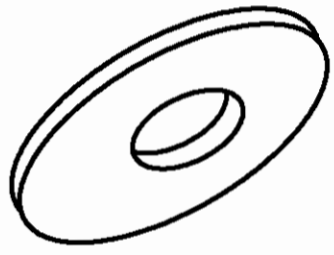
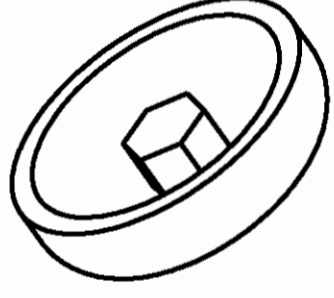
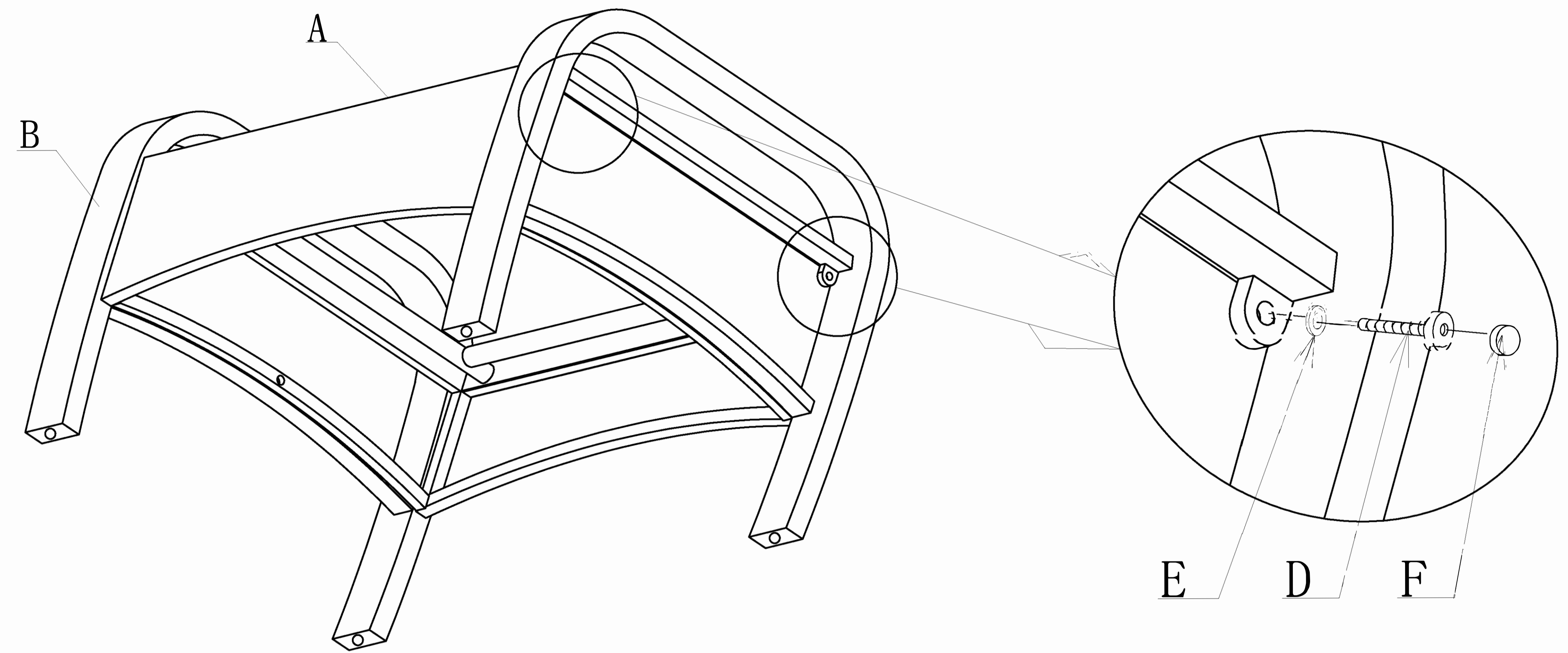
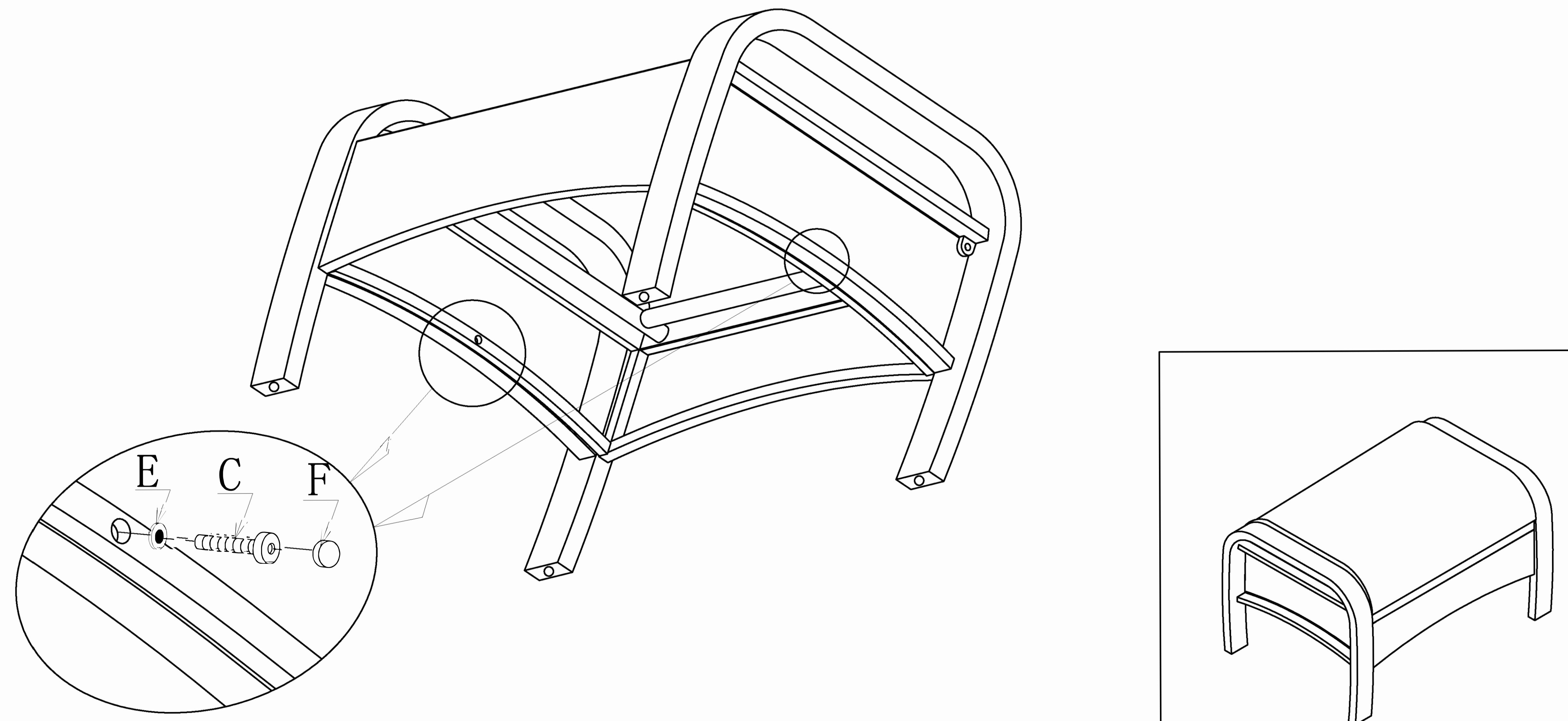


A		SEAT FRAME	1PCS
B		LEG	2PCS
C		BOLT M6*30	2PCS
D		BOLT M6*25	4PCS
E		WASHER	6PCS
F		PLASTIC BOLT CAP	6PCS

STEP 1



STEP 2



QTY1
ALLEN WRENCH

