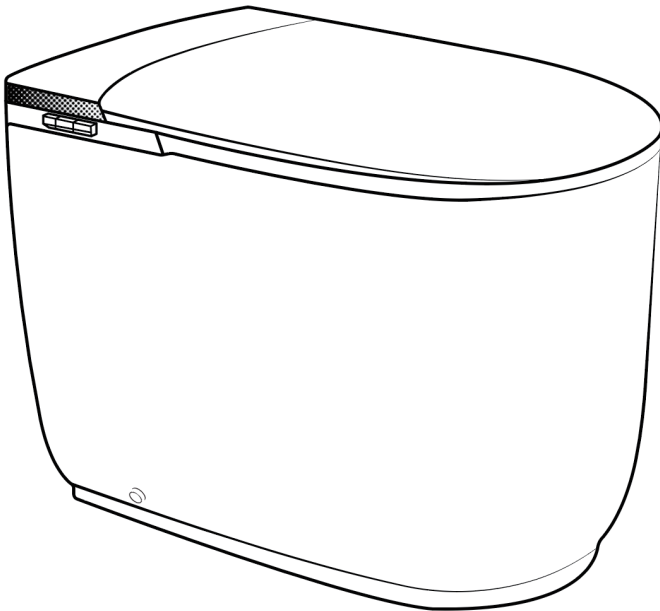




LOS FLEXI  
CRAFTING YOUR HOME STORY



## LFE81-E Smart Toilet

### INSTALLATION GUIDE

[cs@losflexi.com](mailto:cs@losflexi.com)

[www.losflexi.com](http://www.losflexi.com)

(+1) 662-502-5099

# PRIOR TO INSTALLATION

## GET READY TO TRANSFORM YOUR BATHROOM! INSTALLING YOUR LOS FLEXI SMART TOILET

Hello, DIY Champion!

Before you embark on the exciting journey of installing your sleek Los Flexi toilet, let's ensure you're fully equipped to tackle this task with finesse.

We're here to guide you through this process with clear and user-friendly instructions, making it as easy as a warm handshake.

Before You Dive In:

- Take a moment to peruse these instructions, ensuring you have the right tools and materials on hand. This step is your secret weapon to success.
- Give your new Los Flexi toilet a quick once-over to make sure it's in perfect condition after its voyage to your home. We want it to shine as brilliantly as it's designed to.
- Show your commitment to following the plumbing and construction regulations in your area. We're all about keeping things on the up-and-up.
- Bid farewell to your old toilet. Trust us; this upgrade will redefine your bathroom experience!

Here's a valuable tip:

- **No Water Pressure Requirements:** This smart toilet features a built-in water tank, so it operates effectively even with zero water pressure.
- **Electrical Requirements:** Ensure you have access to a GFCI-protected 110V outlet near the installation location.
- **Level Surface Required:** Clean and level the mounting surface thoroughly. A stable, even base ensures proper function and prevents rocking.

You're all set, bathroom virtuoso! Get ready to transform your bathroom into the talk of the town. Remember, we're just a message away if you require any assistance. Now, go ahead and install that Los Flexi toilet like the superstar you are!

Toilet Regards,  
The Los Flexi Team



**SCAN FOR HIGH-RESOLUTION DIGITAL MANUAL**

# SAFETY PRECAUTIONS

This product is a Class I device. For your personal and property safety, please carefully read and follow the safety instructions below:

- To prevent the risk of incorrect fuse settings, this product has the fuse sealed. The use of fuses that do not meet product specifications is prohibited. If the power cord is damaged, it must be replaced by the manufacturer, its service department, or similarly qualified professionals to avoid any danger.
- Symbols and Their Meanings:  
Warning: Improper handling of the product could result in death or serious injury.  
Caution: Improper handling of the product could result in injury or material damage.  
Prohibited: Indicates that certain actions are not allowed.  
Mandatory: Indicates that certain actions must be followed.

## Grounding

- Confirm that this product is properly grounded.
- Lack of grounding may cause electric leakage, electric shock, or equipment malfunction.
- For proper grounding installation, consult a qualified electrician or your local electrical service provider.

## Prohibited

- Do Not Disassemble  
Do not disassemble, repair, or modify this product unless performed by authorized service personnel or qualified professionals designated by the manufacturer.  
Failure to do so may result in fire, electric shock, or other accidents.
- Do Not Splash with Water  
Do not pour water or cleaning agents onto the product or power plug, and do not allow them to become wet.  
This may cause fire, electric shock, or other hazards.
- No Open Flames  
Do not place lit cigarettes, open flames, or burning objects near or inside the product.  
Doing so may result in fire, electric shock, or other accidents.
- Do Not Touch with Wet Hands  
Do not touch or plug/unplug the power plug with wet hands.  
Failure to do so may cause electric shock or other hazards.

- **Do Not Use a Malfunctioning Product**  
Do not use the product if it is malfunctioning, as this may cause fire, electric shock, or indoor water leakage.  
Immediately unplug the power cord and shut off the water supply if any of the following conditions occur:
  - Water leakage from the main unit or water supply hose
  - Cracks or physical damage to the product
  - Unusual noise or abnormal odor
  - Smoke coming from the product
  - The product becomes abnormally hot
- **Do Not Use if the Seat or Lid Is Damaged**  
If the seat or lid is damaged, stop using the product immediately to avoid potential hazards.  
Be sure to unplug the power cord, shut off the water supply, and contact the dealer or authorized service center.  
Failure to do so may result in electric shock or fire.
- **Use Potable Water Only**  
Using non-potable water may cause health issues such as bladder inflammation or dermatitis, and may also lead to internal corrosion, electric shock, or fire.
- **Do Not Insert Objects into the Warm Air Outlet**  
Failure to do so may cause burns, electric shock, or damage to internal components.

## **Caution**

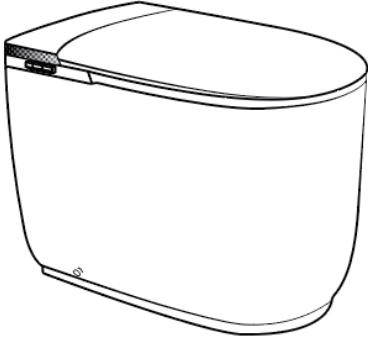
- **Avoid Prolonged Use at High Settings**  
Do not use the seat temperature or warm air dryer temperature at High or Medium settings for extended periods.  
Prolonged use may cause burns.
- **Do Not Urinate on the Main Unit or Nozzle**  
This may cause buildup, clogging, or malfunction.
- **Do Not Use in Excessively Wet Environments**  
Failure to do so may result in electric shock or fire.
- **Avoid Direct Sunlight and Heat Sources**  
Doing so may cause discoloration or deformation.
- **When Not in Use for Extended Periods**  
If the product will not be used for an extended period, be sure to unplug the power plug, shut off the water supply, and drain all remaining water from the unit.  
Failure to do so may cause internal water to freeze, resulting in damage that may lead to fire or water leakage.

- **When Not in Use for Extended Periods**  
If the product will not be used for an extended period, be sure to unplug the power plug, shut off the water supply, and drain all remaining water from the unit.  
Failure to do so may cause internal water to freeze, resulting in damage that may lead to fire or water leakage.
- **Battery Safety Instructions**
  - Use only approved batteries. Improper use may cause explosion or fire.
  - Do not expose batteries to heat, direct sunlight, fire, or ovens.
  - Do not disassemble, crush, puncture, cut, or impact batteries.
  - Stop using the battery immediately if it becomes swollen or deformed.
  - Keep batteries out of reach of children. Seek immediate medical attention if swallowed.

## **Mandatory**

- **Supervised Use Required**  
Individuals with physical, sensory, or mental impairments, or those lacking experience or knowledge (including children), must use this product under adult supervision and guidance.
- **Children Must Be Supervised**  
Children must be supervised to ensure they do not play with this product. Failure to do so may result in personal injury.
- **Temperature Assistance Required for Certain Users**  
When using the heated seat or warm air drying functions, assist the following users by lowering or turning off the temperature settings:
  - Children and elderly individuals who cannot properly adjust temperature settings
  - Individuals with limited mobility or reduced awareness
  - Individuals who may fall asleep while seated due to medication, alcohol consumption, or extreme fatigue
- **Filter Installation and Replacement**  
When installing or replacing the filter or filter cartridge, ensure it is securely tightened and that the water supply and shut-off valve are fully closed. Failure to do so may result in water leakage.
- **Leakage Response**  
If water leakage occurs, immediately shut off the water supply valve to stop water flow.
- **Low-Temperature Use Prohibited**  
Do not use this product in environments below 0°C (32°F). Freezing may cause damage to water lines or the main unit, resulting in leakage or malfunction.

# PACKAGE INCLUDED



Smart Toilet



Remote Control



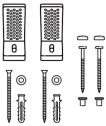
Wax Ring



Shut-Off Valve



Water Filter



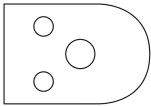
Mounting Kit



Flange



Battery Box



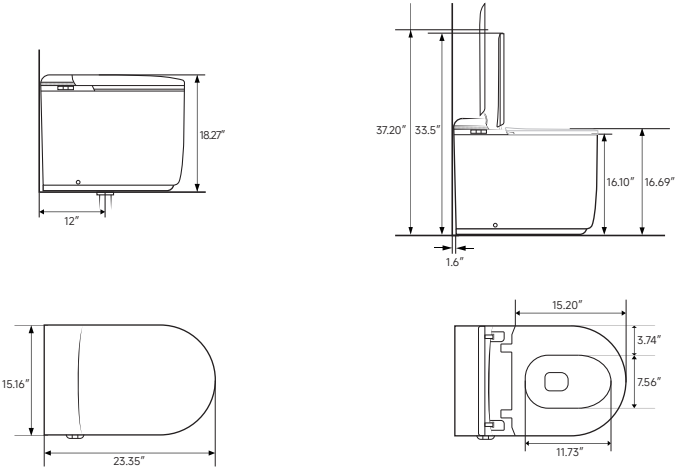
Installation Template

**Note:**  
All diagrams are for reference only.  
Please refer to the actual product received.

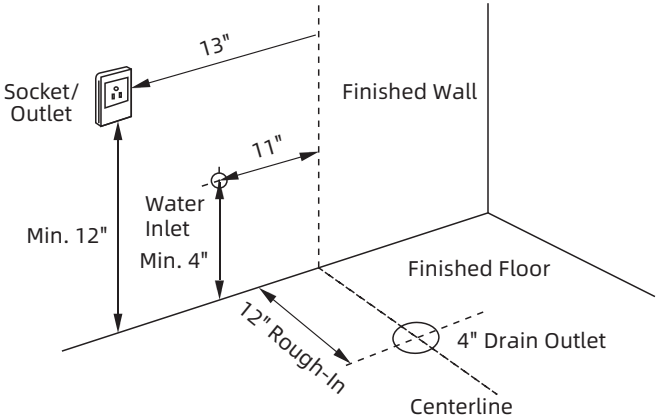
## TECHNICAL PARAMETER

Name		Smart Toilet
Rated Voltage		110V ~
Rated Frequency		60Hz
Rated Power		750W
Power Cord Length		5 Feet
Flush Mode		Jet Siphon
Clean	Rear Wash	Cleaning water volume is about 0.62L/min
	Front Wash	Cleaning water volume is about 0.67L/min
	Water Temp	4 levels (Room temp/approx. 93/99/104°F)
	Water Heater Max Power	1500W
	Safety Components	Thermal Fuse, Thermostat, Temperature Sensor
Heated Seat	Seat Surface Temp	4 levels (Room temp/approx. 93/99/104°F)
	Seat Heater Power	38W
	Safety Components	Thermal Fuse, Thermostat, Temperature Sensor
Dry	Warm Air Temp	4 levels (Room temp/approx. 102/117/131°F)
	Air Heater Power	240W
	Safety Components	Thermal Fuse, Bimetallic Strip Thermostat
Water Supply Pressure		No Water Pressure Requirements
Waterproof Rating		IPX4
Water Supply Temp		41°F - 95°F
Ambient Temp		32°F - 104°F
Product Dimensions		23.23" * 14.96" * 18.43"

# PRODUCT DIMENSIONS



# INSTALLATION DIAGRAM



**Note:**  
 All diagrams are for reference only.  
 Please refer to the actual product received.

## REQUIRED TOOLS



Screwdriver



Tape measure



Wrench



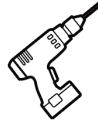
Knife



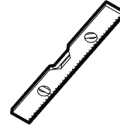
Caulking Gun



Marker



Electric Drill

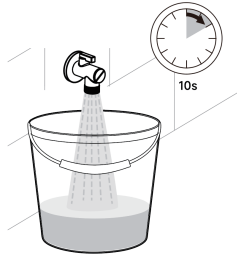


Level

## INSTALLATION PRECAUTION

Installation must be performed by a licensed plumber or qualified professional. Improper installation may result in water leakage, electric shock, or product damage.

Before installation, run water through the supply line for 10 seconds to flush out any debris in the pipeline.

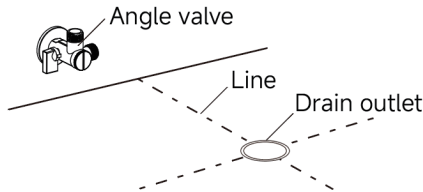


**Note:**  
All diagrams are for reference only.  
Please refer to the actual product received.

# TOILET INSTALLATION

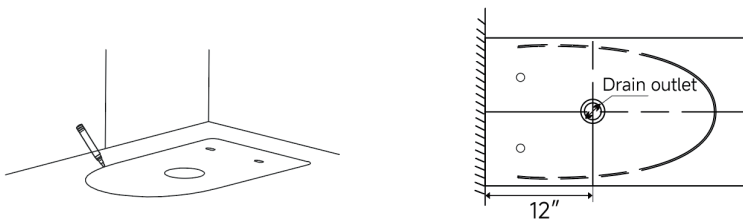
## 1. Install Angle Valve

Draw drain outlet centerline on the floor. Install angle valve at proper position on the wall according to the dimension of toilet.



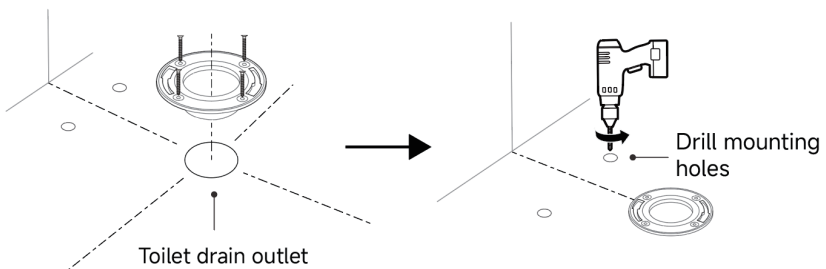
## 2. Mark Toilet Position

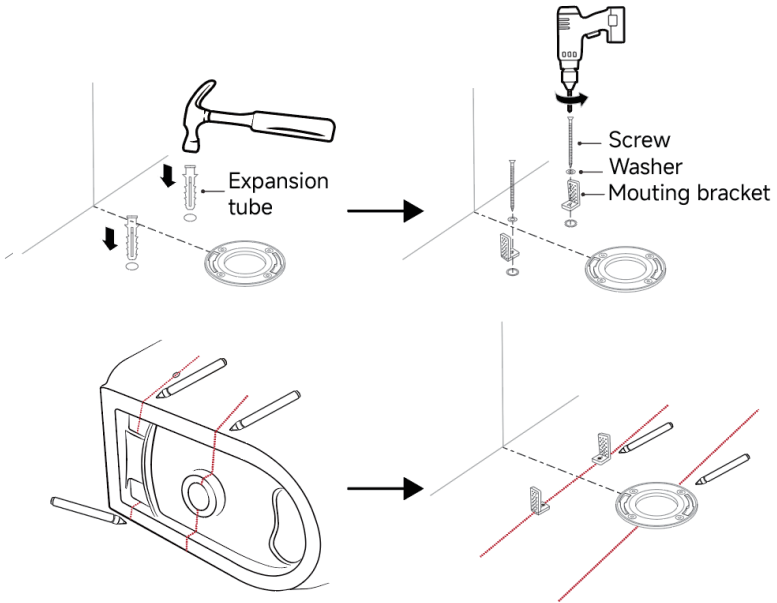
Align the installation template with the centerline of the drain outlet. Draw the contour line according to the template.



## 3. Install Flange and Mounting Brackets

Drill holes at the marked locations and install the flange over the drain opening.

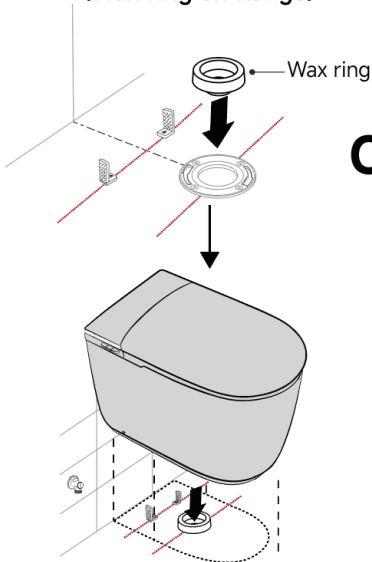




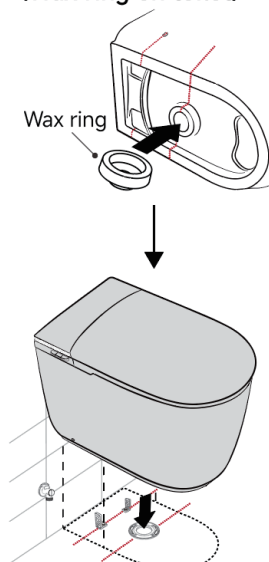
#### 4. Install Wax Ring and Position the Toilet

Choose the installation method that works best for your bathroom layout:

##### Method ① (Wax ring on flange)



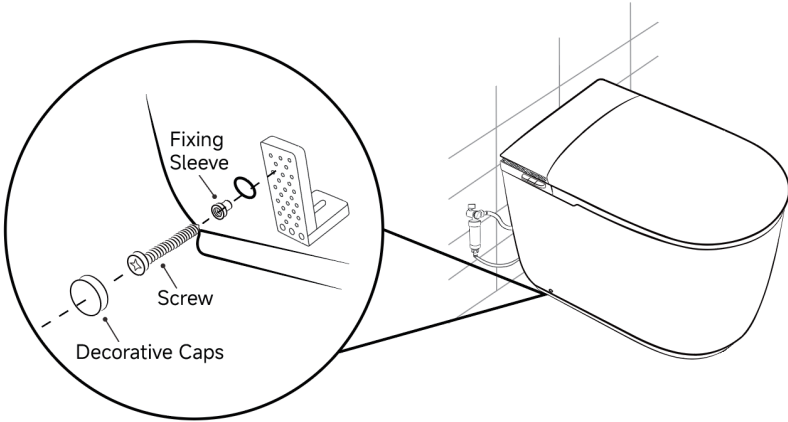
##### Method ② (Wax ring on toilet)



or

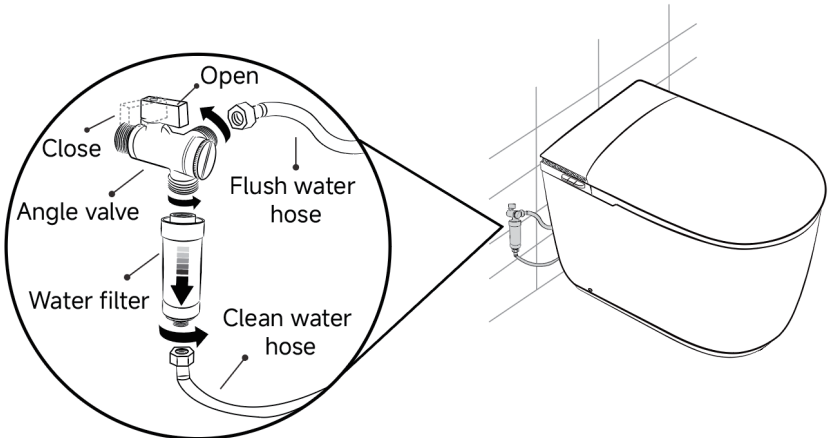
### 5. Install Side Decorative Caps

- Insert screws through the fixing sleeve into the mounting brackets on the floor.
- Tighten the screws securely using a screwdriver.
- Snap the decorative caps onto the fixing sleeves.



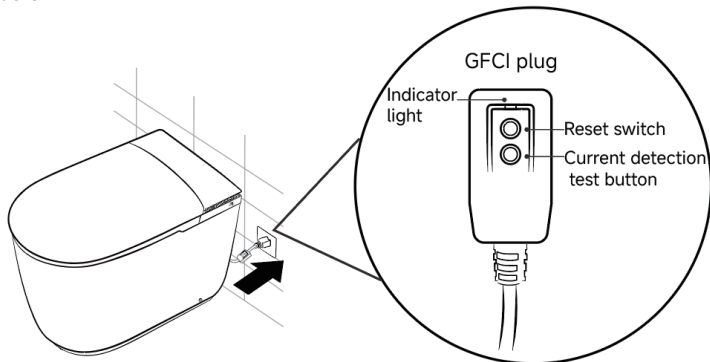
### 6. Connect Water Filter and Water Supply Hose

Connect the water filter between the clean water hose and the angle valve. And attach the flush water hose to the angle valve and tighten it.



## 7. Plug in Power

Insert the power plug into a 110V waterproof socket. Press the reset button to start the toilet. The plug indicator light should be on.



**Note:** Press the test button before use. If the reset button pops up, the leakage protection is working.

## 8. Test All Functions

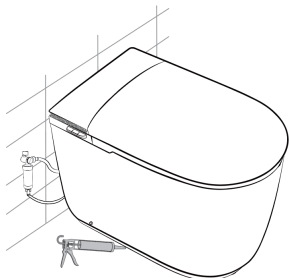
After powering on, check if all functions work properly:

- Flush Test: Press the flush button to confirm operation.
- Wash/Dry Test: Sit on the seat to activate sensors, test wash and dry functions.
- Remote Control Test: Press each button to verify response.

**Note:** If remote does not respond, re-pair the remote following instructions in the "**Remote Control Code Matching**" section of the user manual.

## 9. Seal the Toilet

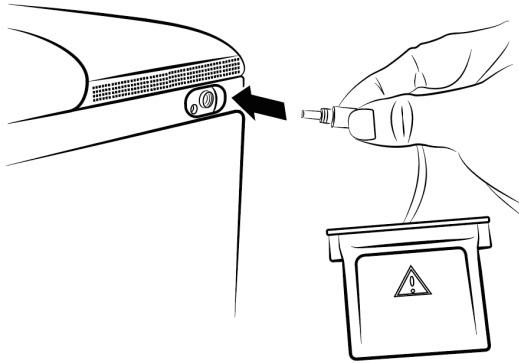
Ensure the area is free of debris and water, then use a caulk gun to apply a sealant around the base of the toilet where it meets the floor.



**Note:** Do not move or use the toilet within 48 hours after sealing.

**10. Install Emergency Flush Battery** (Allows flushing during power outages)

- Use a screwdriver to open the battery compartment and insert 10 AA batteries (not included). Tighten the top and bottom covers of the battery box.
- Remove the white silicone plug from the battery hole on the right side of the toilet, then insert the backup battery.

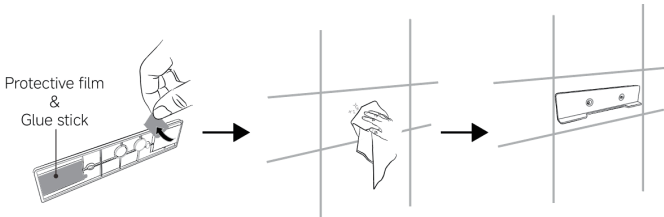


# REMOTE CONTROL INSTALLATION

## Method ① : Adhesive Mounting

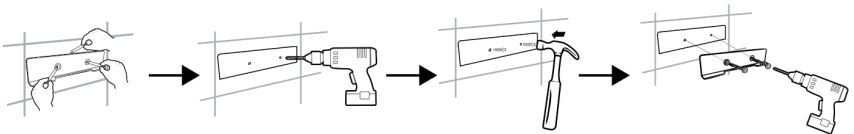
- ① Peel off the backing of the double-sided adhesive on the remote control holder.
- ② Clean the wall surface to remove dust, grease, or water droplets.
- ③ Press the remote control holder firmly onto the wall for 3 to 5 minutes to ensure strong adhesion.

**Note:** This method is suitable for glazed tiles, glass, and smooth walls.



## Method ② : Screw Mounting

- ① Mark the mounting location where the remote will be easily accessible while seated. Drill two holes at the marked points.
- ② Insert wall anchors into the drilled holes. Align the holder with the anchors and secure with screws.



Insert 2 AAA batteries into the remote control (not included), then place the remote onto the mounted holder.

## LIMITED WARRANTY COVERAGE

### ONE YEAR LIMITED WARRANTY

Los Flexi products are crafted with superior materials and impeccable workmanship, offering our customers reliable and long-lasting products. If defects in materials or craftsmanship are detected under standard use within the first one years of installation, Los Flexi will either supply replacement parts at no charge or, if deemed necessary, replace the product or its parts. This warranty is exclusive to the original purchaser, and proof of purchase is mandatory for any claim.

This Warranty Will Be Voided If:

- The product's installation did not follow our recommendations.
- The product was relocated from its initial installation site.
- The product underwent any modifications from its original condition.
- The product suffered from neglect, misuse, chemical overuse, accidents, or any other damages.

Los Flexi does not imply that our products adhere to local building or plumbing codes. Consumers must ascertain local code compliance before and during installation. This warranty is strictly for the original purchaser and first consumer.

Los Flexi won't be held responsible for any consequential damages linked to the product's installation, replacement, return, or usage. This includes, but is not limited to, freight charges, labor, downtime, home damages, and other associated costs (e.g., professional services, investigations, audits, legal fees).

This Los Flexi warranty clearly delineates our liability. Items not specified in this warranty fall outside Los Flexi's responsibility. In states with variations concerning implied warranties, our compliance is ensured.

**For any queries or concerns, feel free to reach out to us at**

Email: [cs@losflexi.com](mailto:cs@losflexi.com)  
Voicemail: (+1) 662-502-5099  
Site: [www.losflexi.com](http://www.losflexi.com)