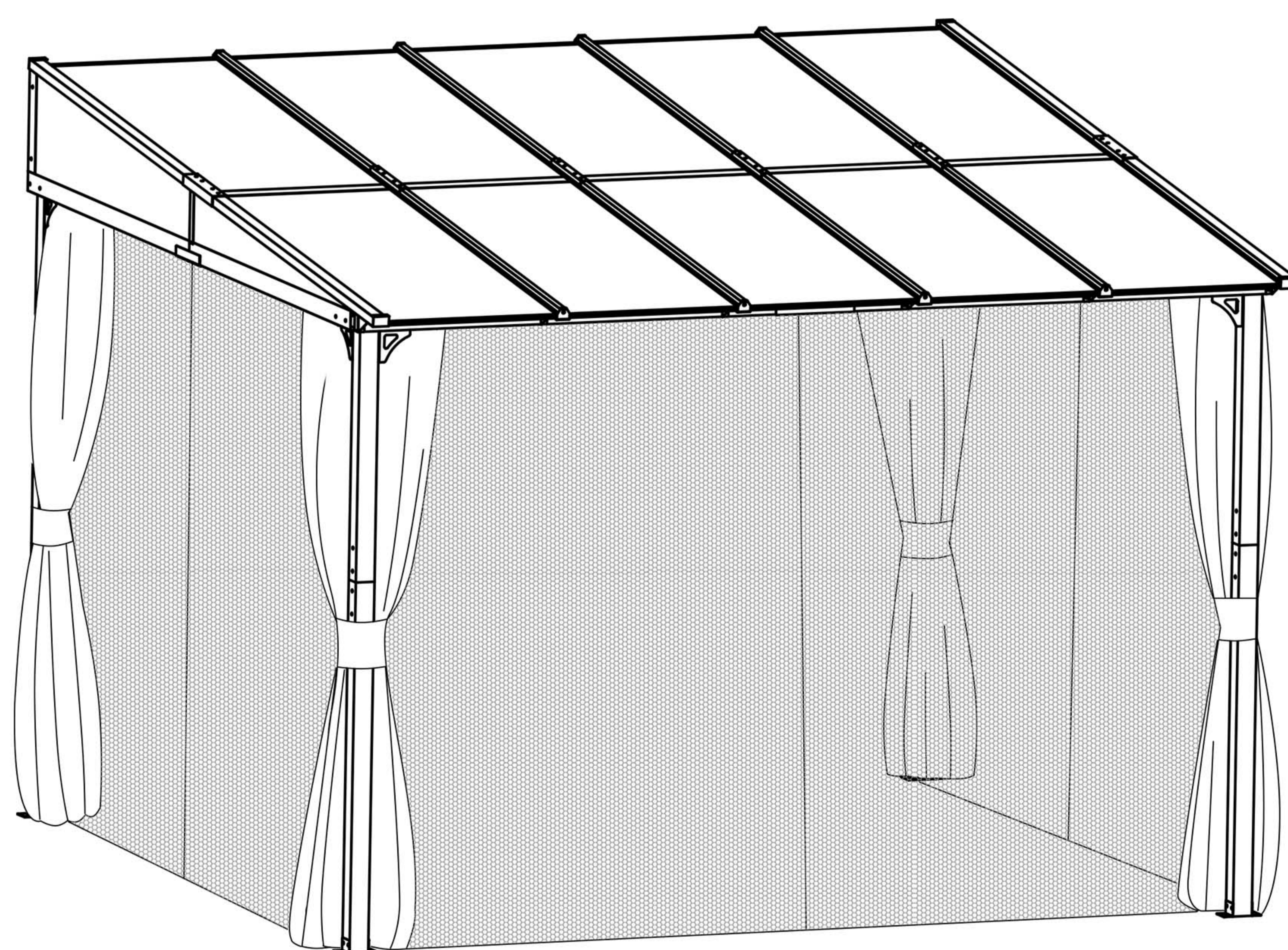


PC Roof  
Wall Mounted Gazebo 10X10FT

SKU: BPYWM24G056-1  
BPYWM24G056-2

# ASSEMBLY INSTRUCTIONS



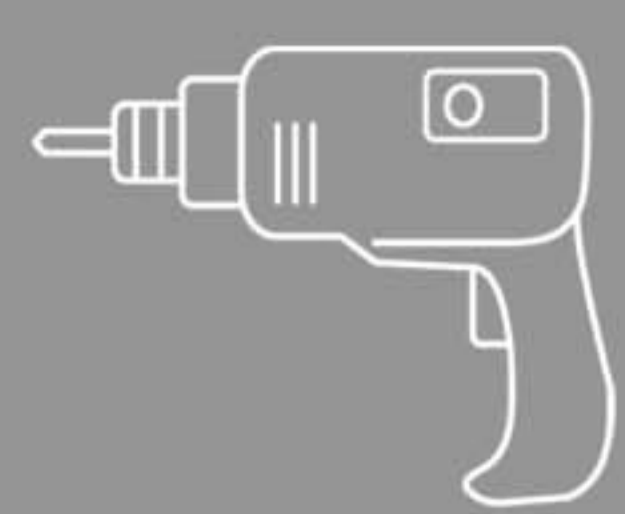
Please check the number of parts in the following accessory catalogue when unpacking. We have sent you more small parts for spare. If there is any missing or any questions about the installation. Please feel free to contact us. We will reply within 24 hours.



E-mail: [cs.helper01@gmail.com](mailto:cs.helper01@gmail.com)

## TOOLS RECOMMENDED

\*NOTE: The recommended tools are not included in boxes and need to be prepared by yourself.



DRILL



RUBBER Mallet



STEPLADDER  
(6.5Ft Or More)



SAFETY HAT



GLOVES



SAFETY GOGGLES

## ATTENTIONS



Since it is easy to lose many small accessories during the installation, please collect all the screw accessories before the assembly is completed



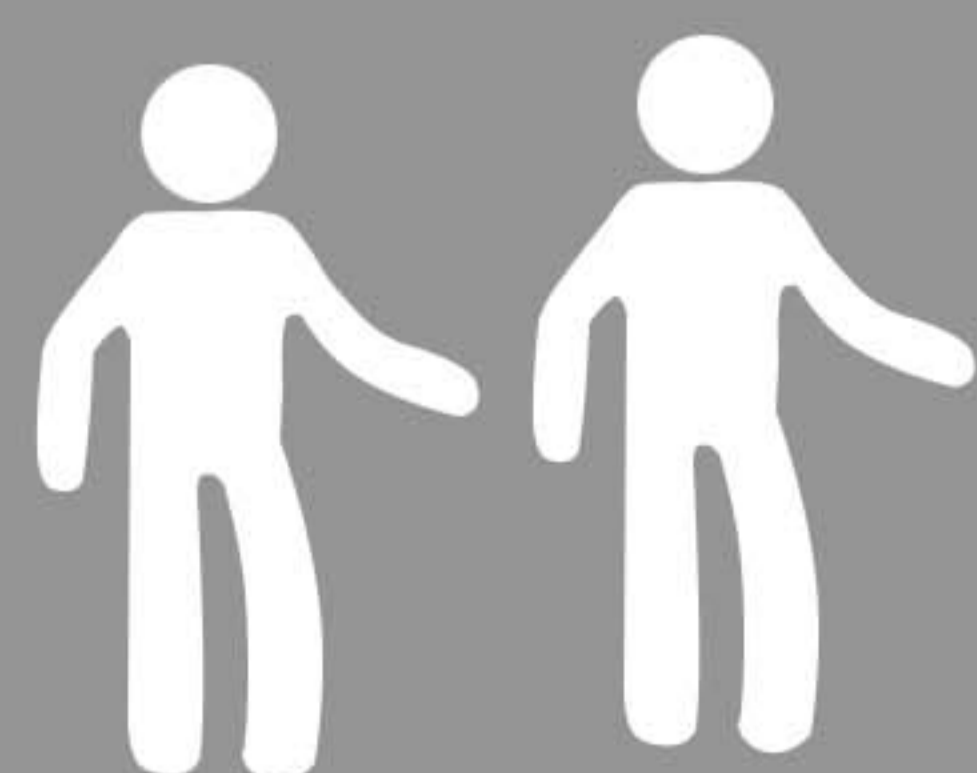
To better align the screws for practical situations, do not fully tighten screws initially



Please reinforced the Gazebo and do not use in heavy winds or inclement weather



Make sure all screws are tightened before use and check all screws, buckles and straps every 90 days

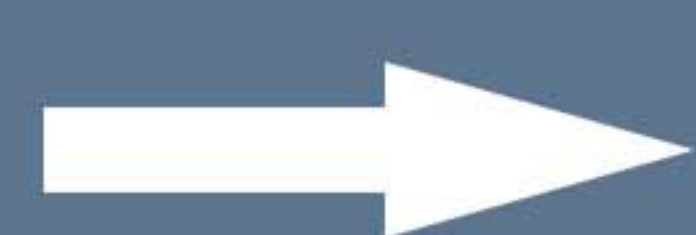


Two or more people are required for assembly



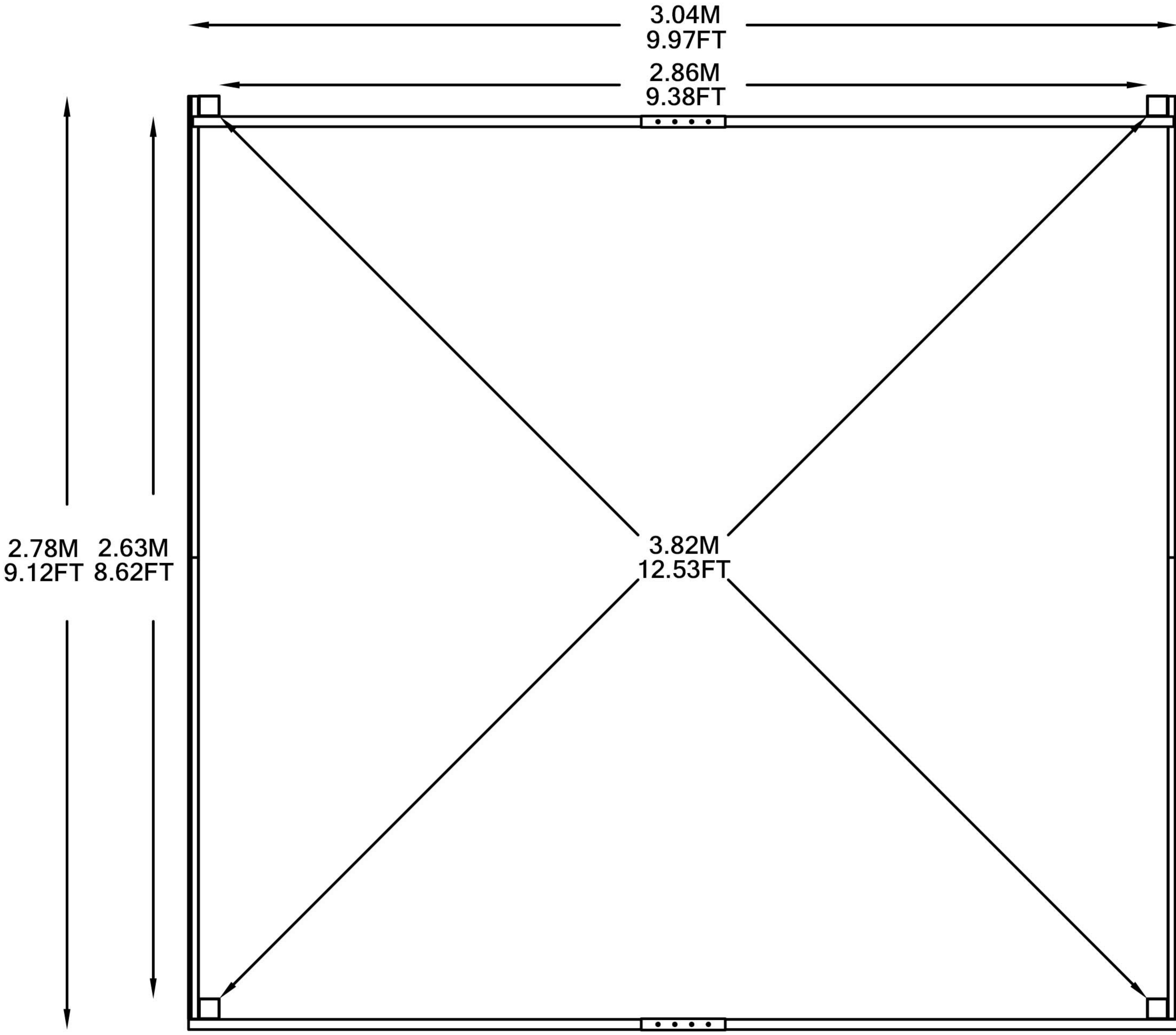
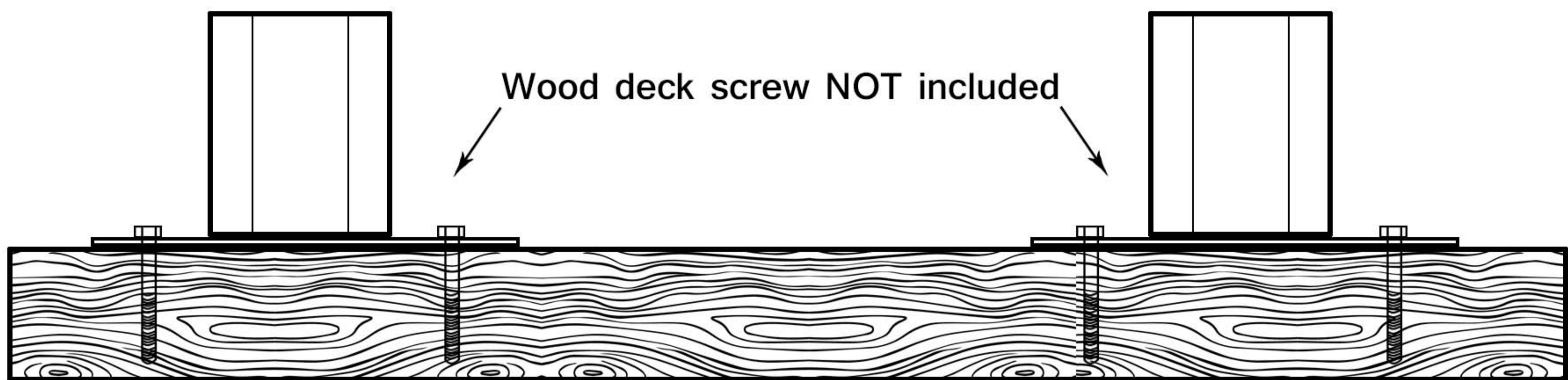
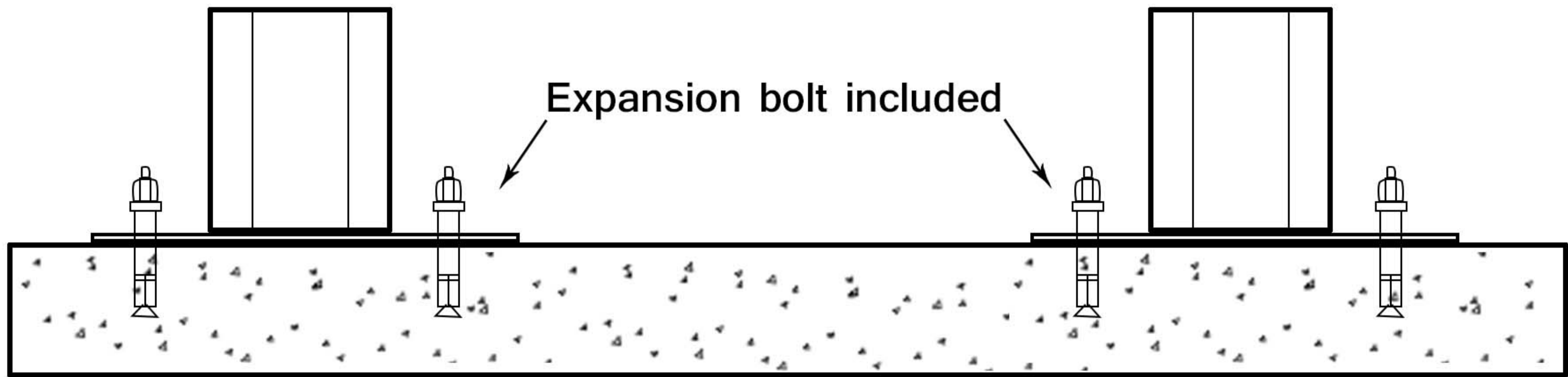
Please clear the snow off the roof in time for the heavy snowfall and do not use it

Please take care of the screws and contact the after-sales service if there is any problem with the installation or parts.



# Permanent Installation Examples

Our supporting expansion screws can only be used for cement floors, customers need to bring their own special screws if they are used for wood floors

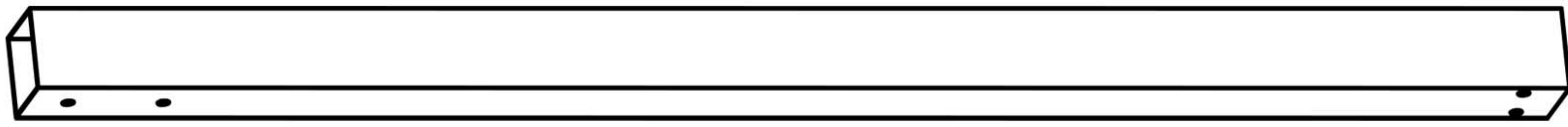
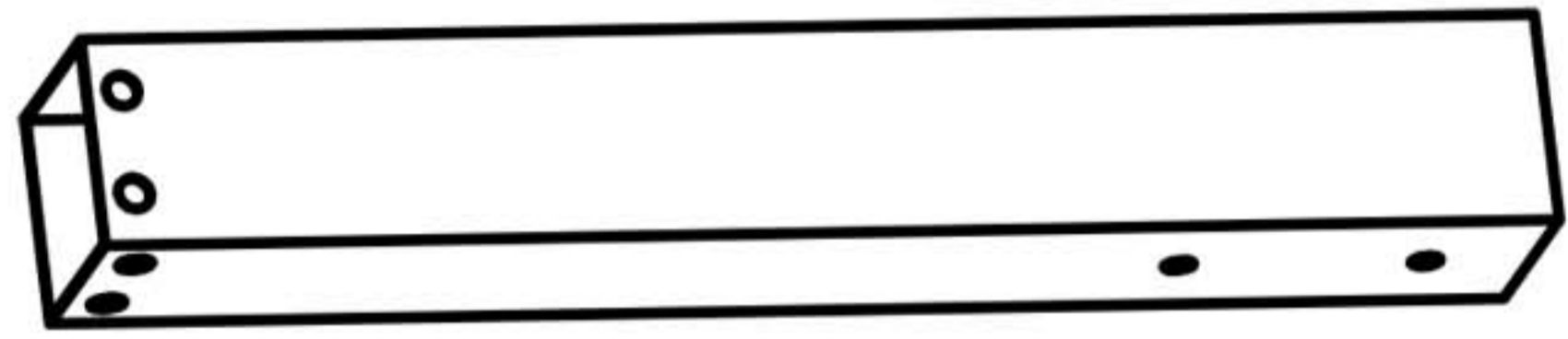
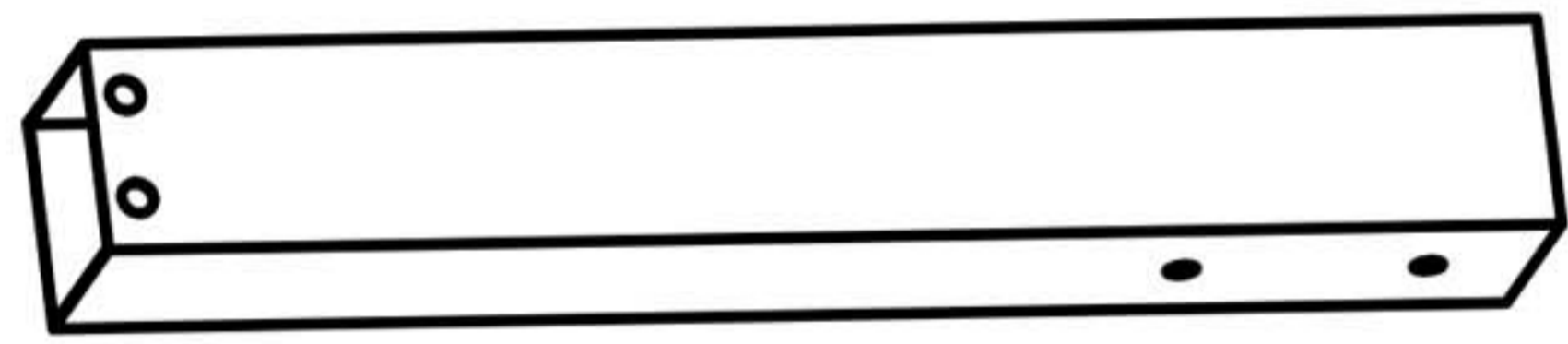
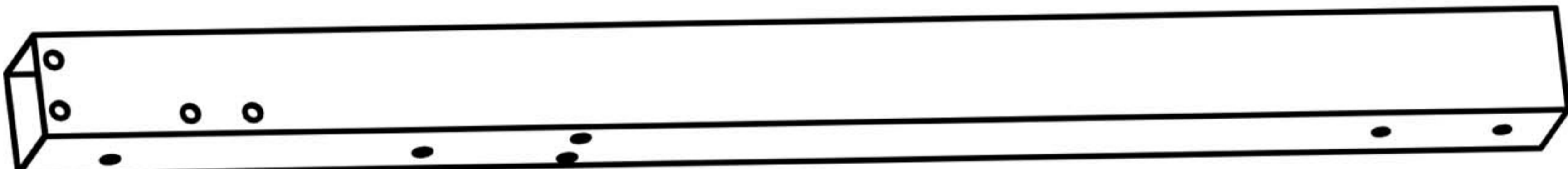
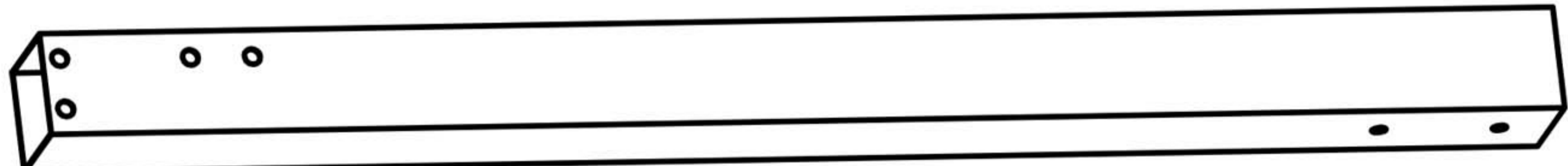
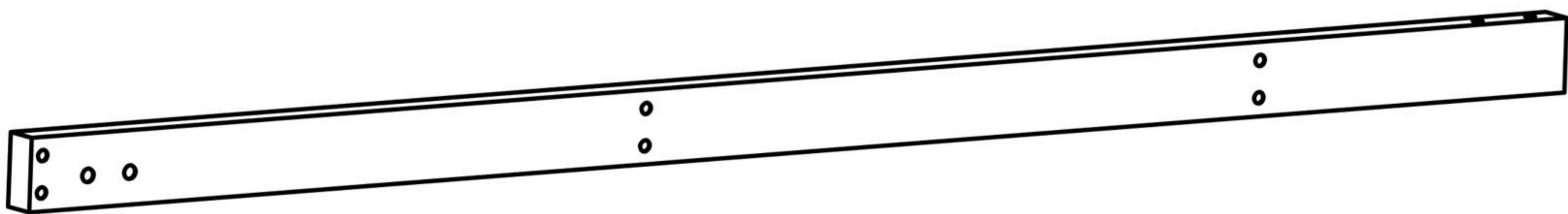
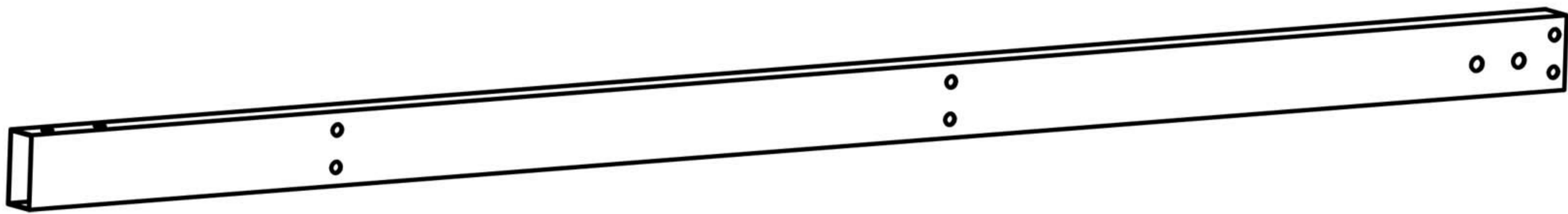
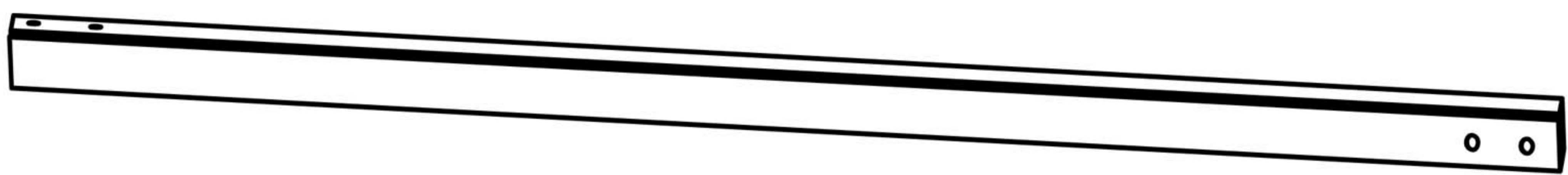



Please take care of the screws and contact the after-sales service if there is any problem with the installation or parts.

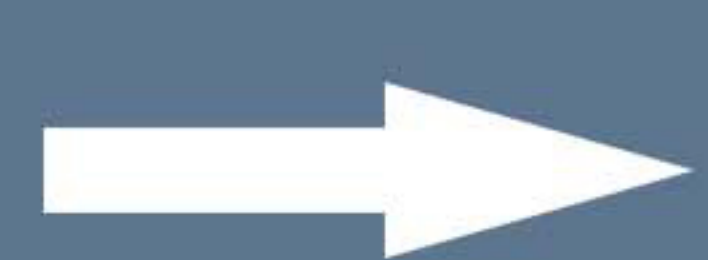
➔ ✉ E-mail: [cs.helper01@gmail.com](mailto:cs.helper01@gmail.com)

# ACCESSORY CATALOGUE

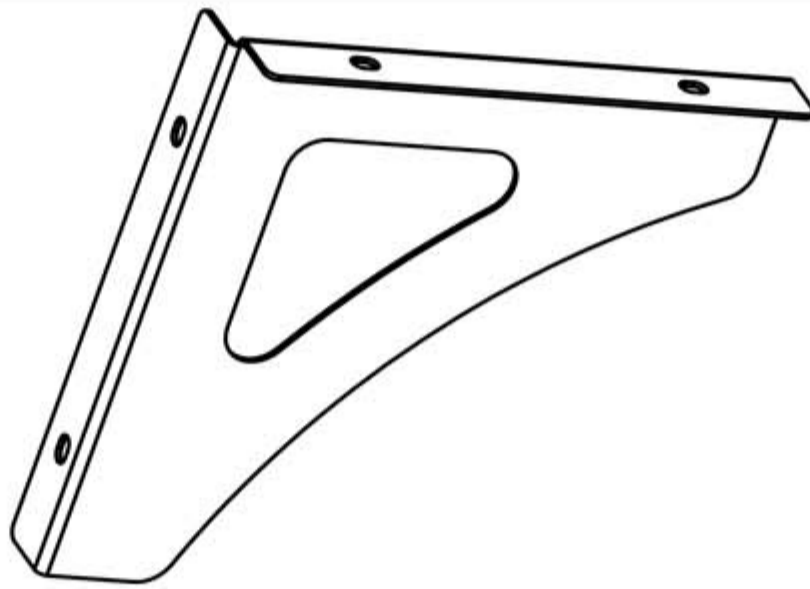
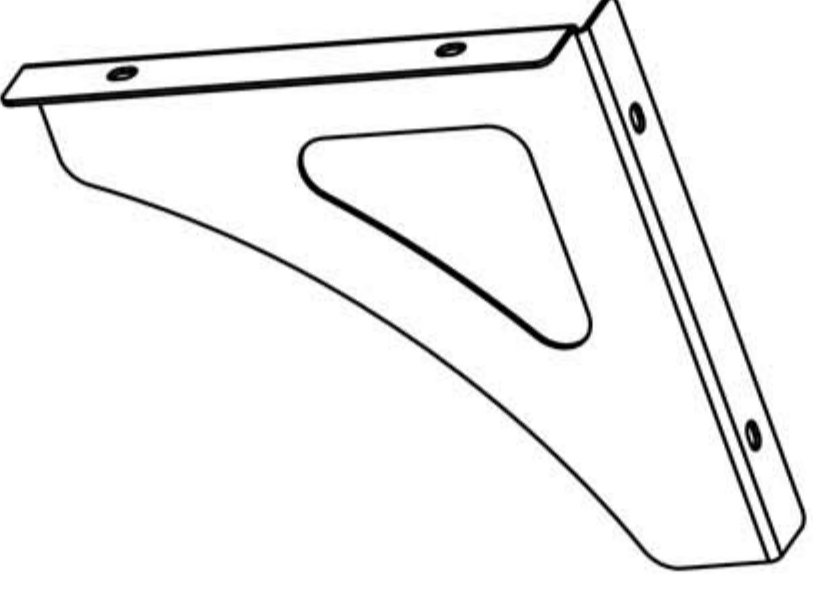
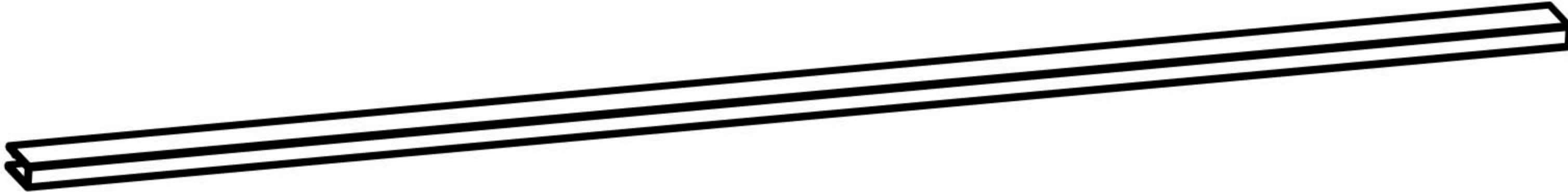


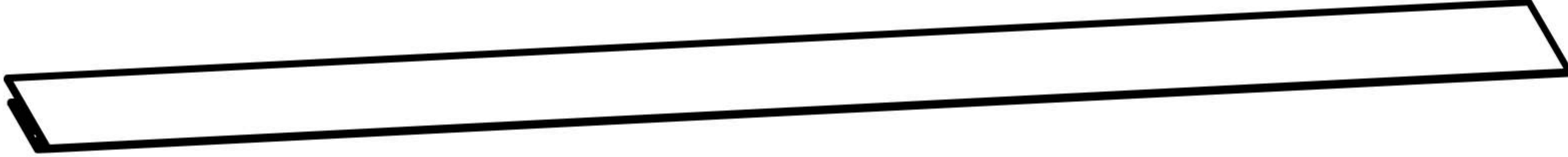
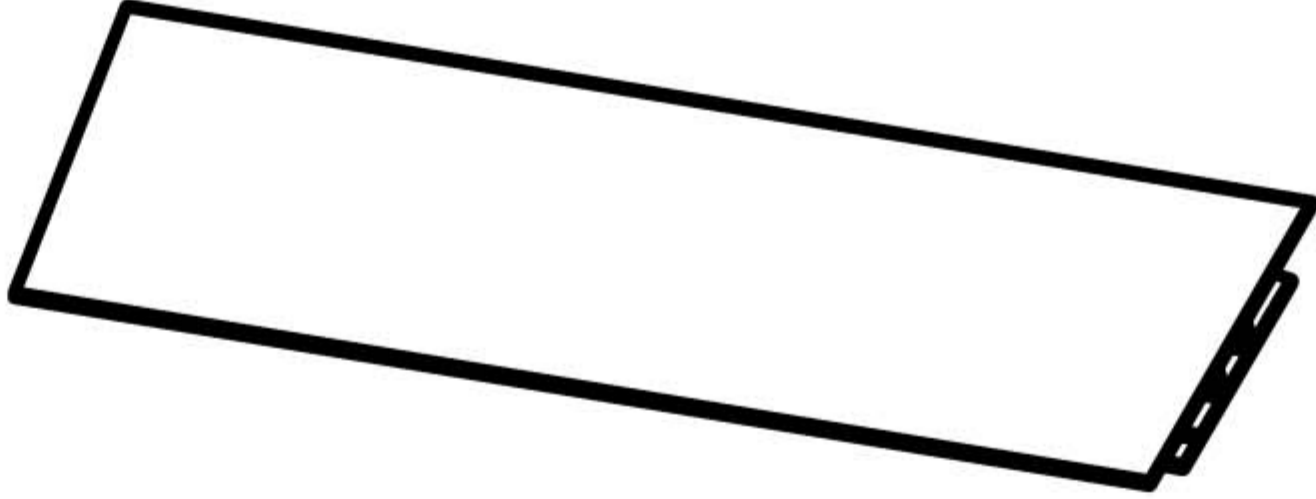
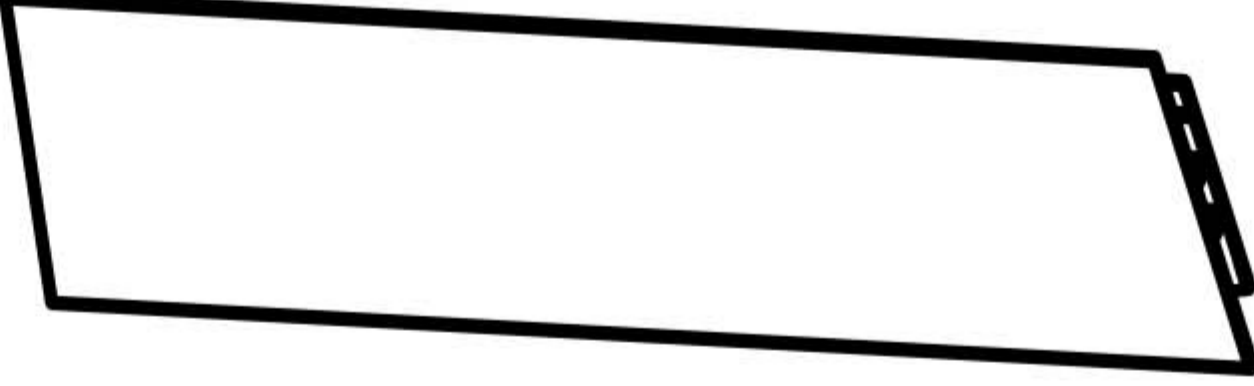
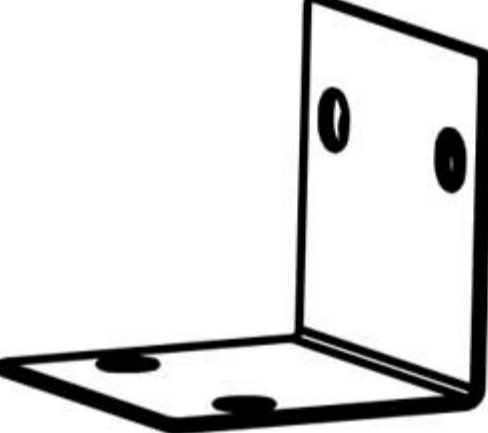
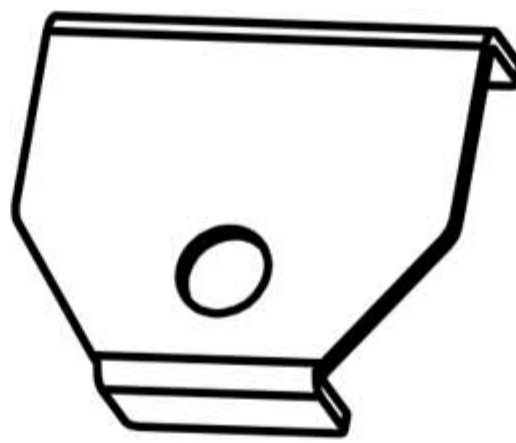
## BOX 1 SKU: BPYWM24G056-1

Item no.	Reference Image	Qty.
A		4
A1		1
A2		1
A3		1
A4		1
C		1
C1		1
D		2
D1		2

Please take care of the screws and contact the after-sales service if there is any problem with the installation or parts.




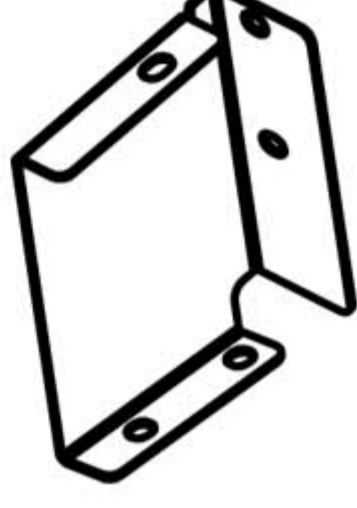
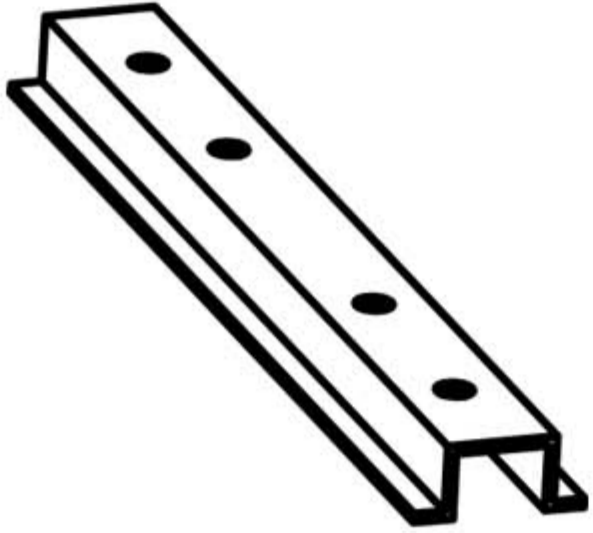
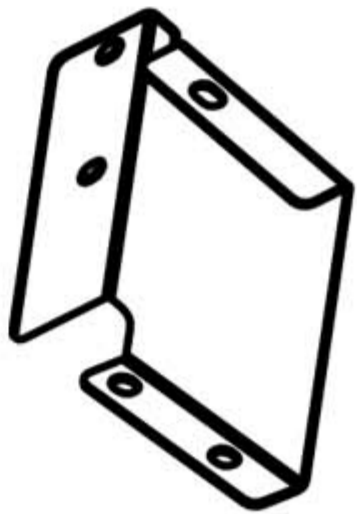
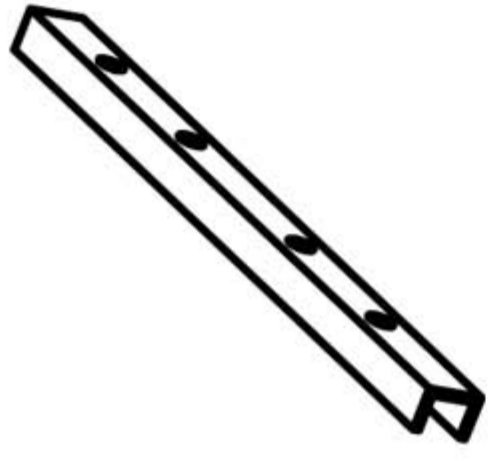

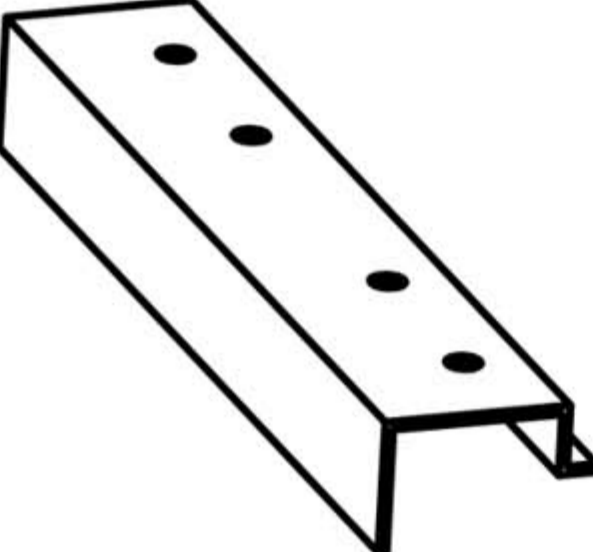

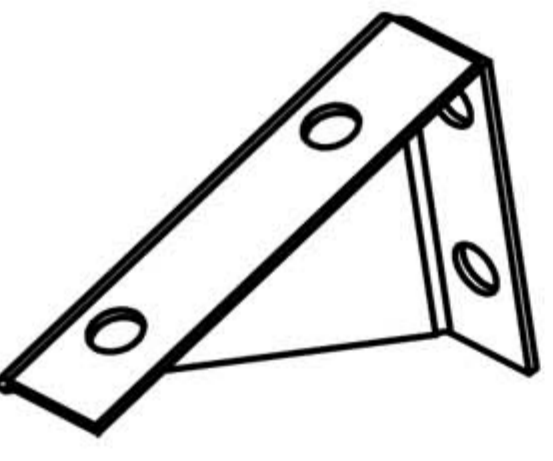
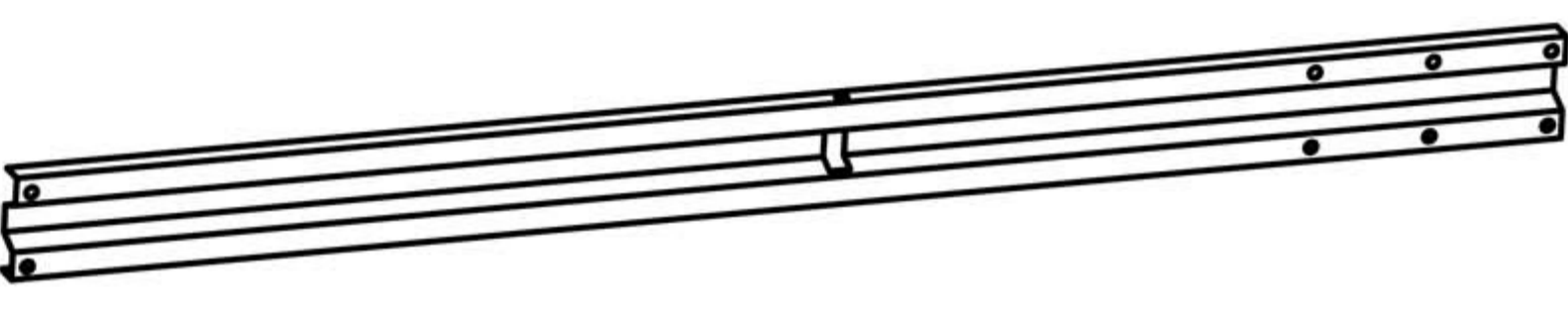

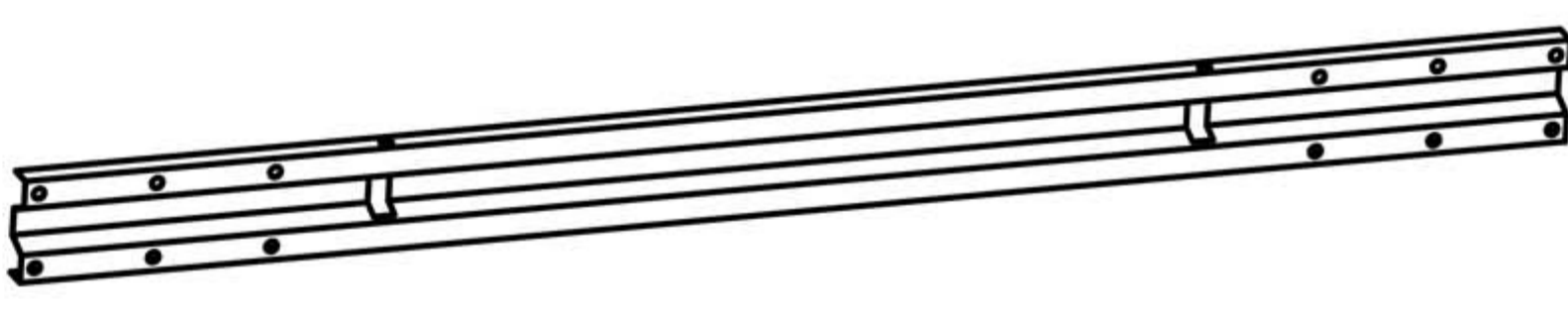
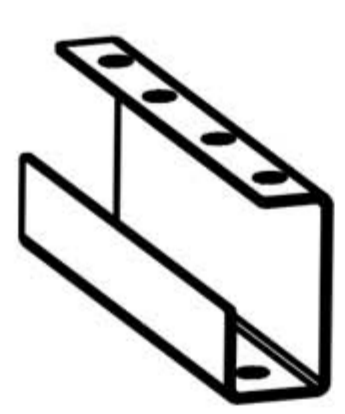
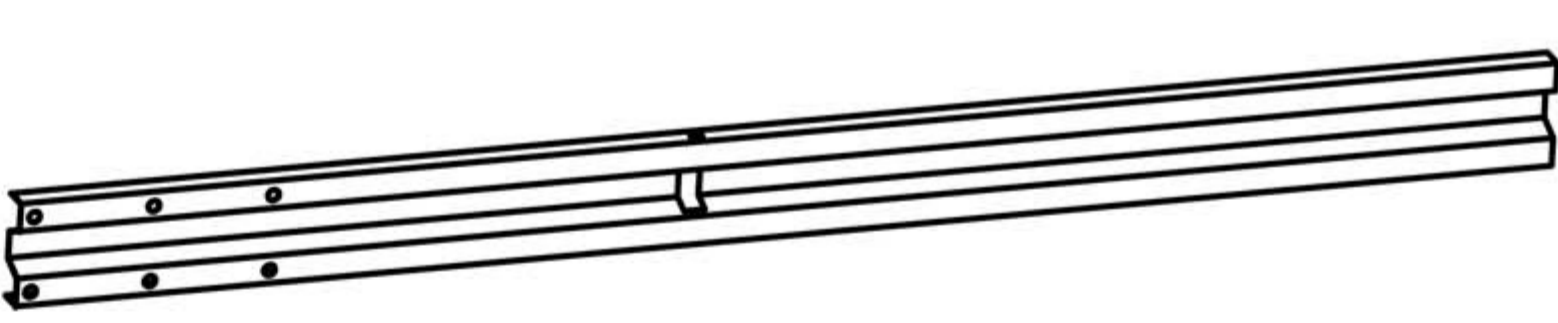
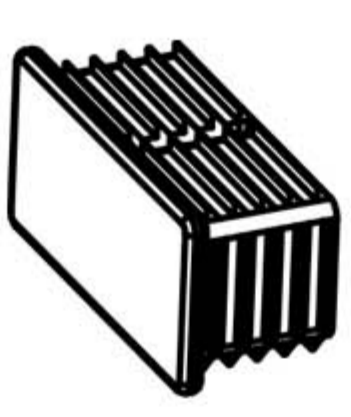
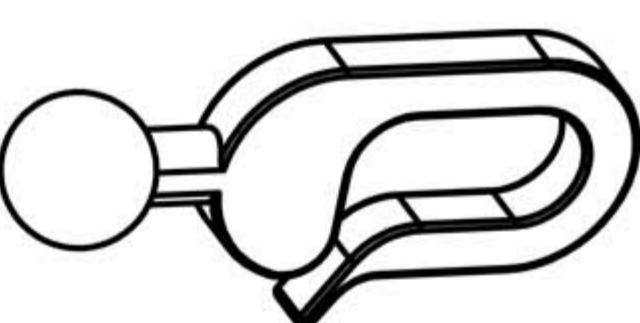
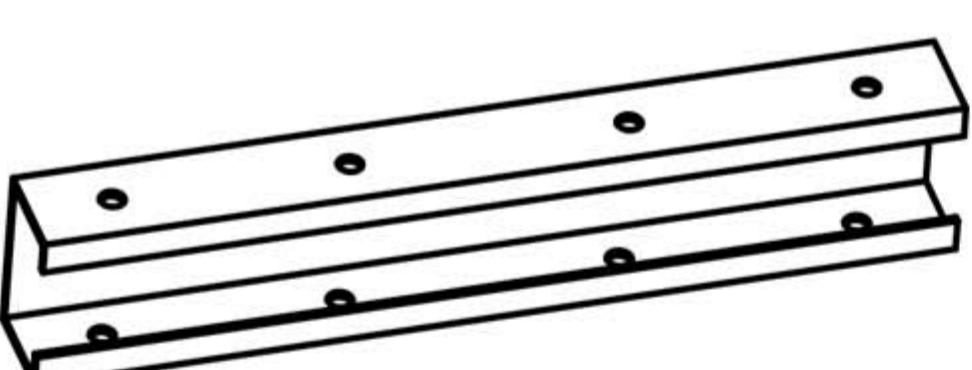
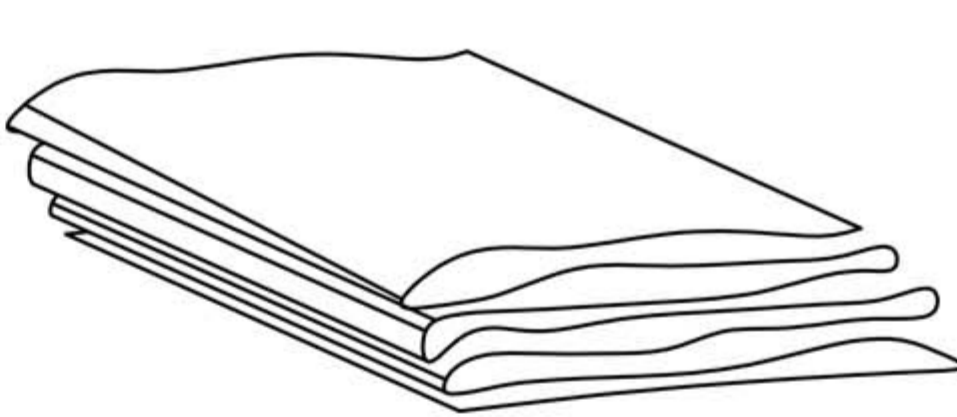
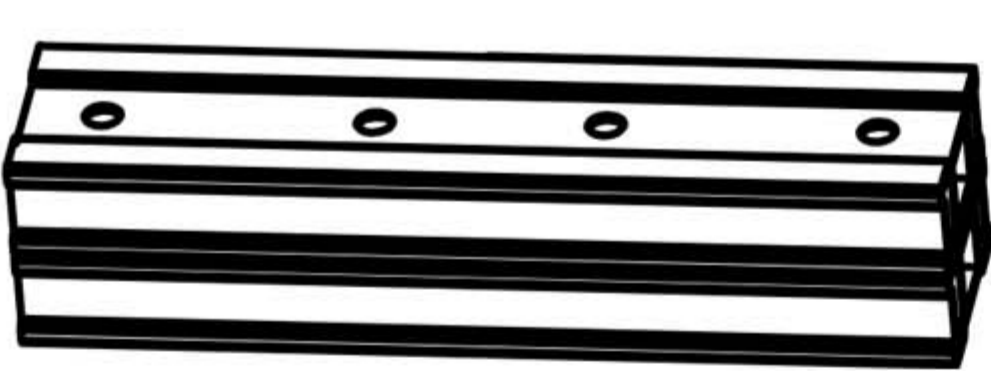
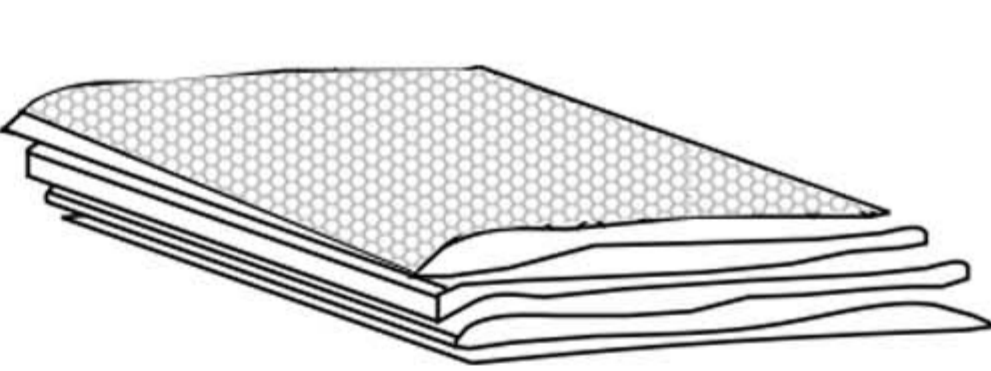
# ACCESSORY CATALOGUE

Item no.	Reference Image	Qty.
<b>F</b>		4
<b>F1</b>		4
<b>G</b>		10
<b>G1</b>		1
<b>G2</b>		1
<b>I</b>		5
<b>I1</b>		1
<b>I2</b>		1
<b>L</b>		8
<b>M</b>		8

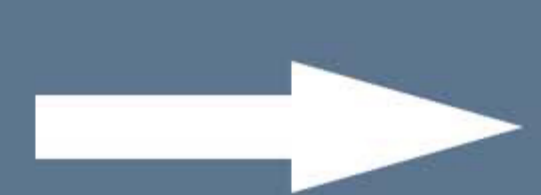
Please take care of the screws and contact the after-sales service if there is any problem with the installation or parts.

➔ ✉ E-mail: [cs.helper01@gmail.com](mailto:cs.helper01@gmail.com)

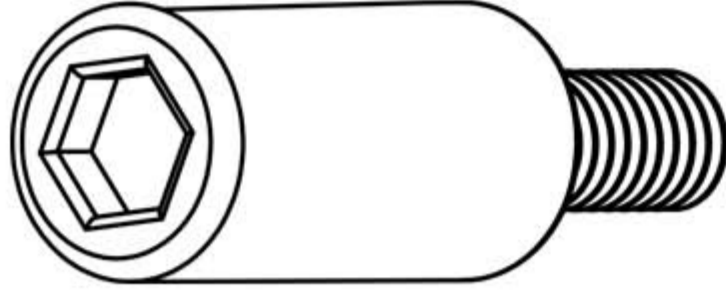
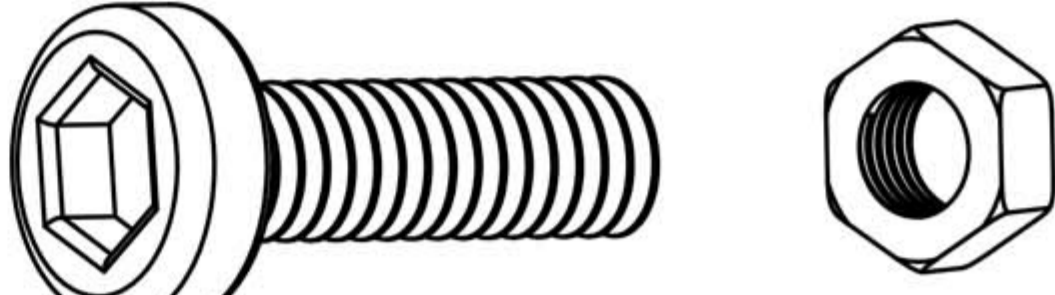
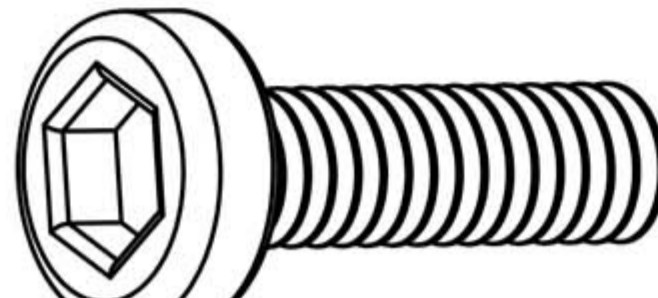
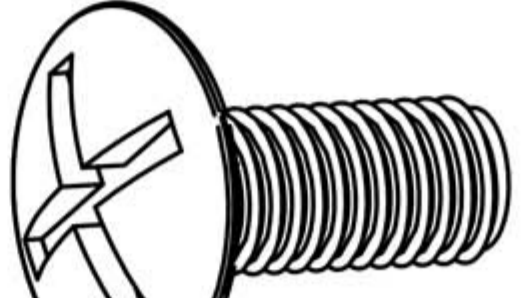

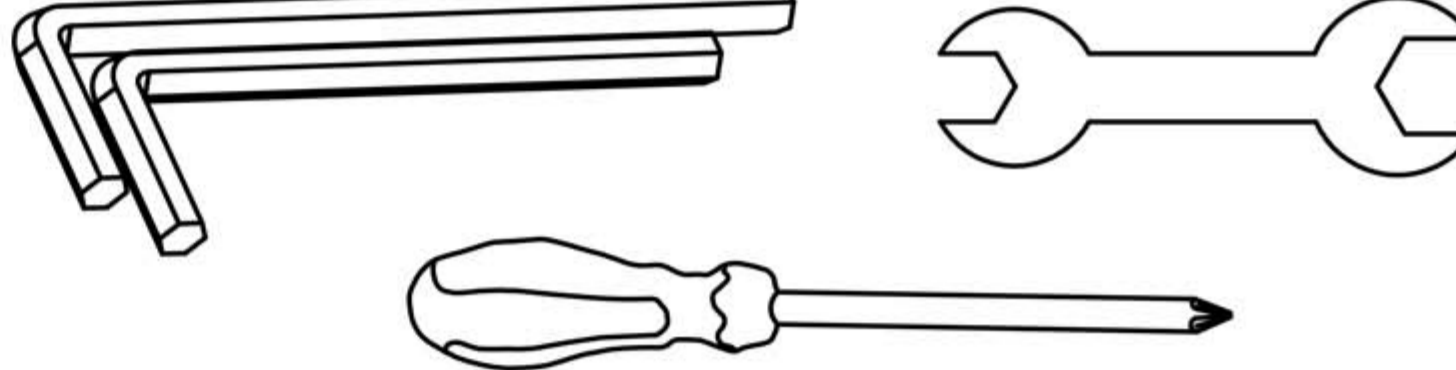
# ACCESSORY CATALOGUE

Item no.	Reference Image	Qty.	Item no.	Reference Image	Qty.
M1		4	R1		1
M2		4	R2		1
M3		2	S		4
M4		2	W		2
M5		12	N1		1
M6		4	N2		1
M7		2	N3		1
M8		12	Q		48
P		2	Z		1
P1		4	Z1		1

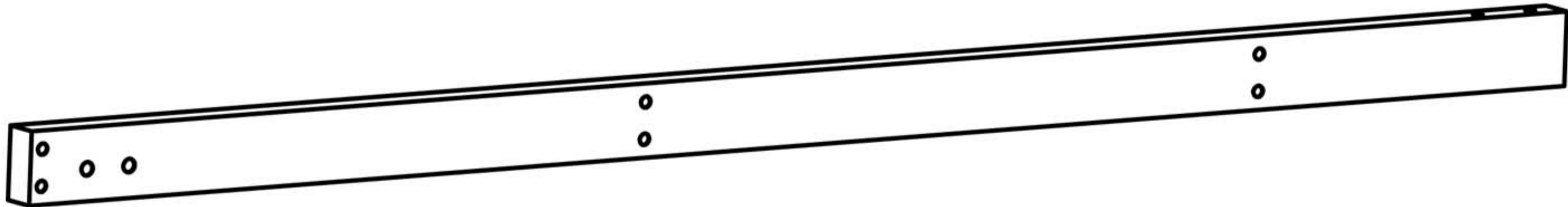
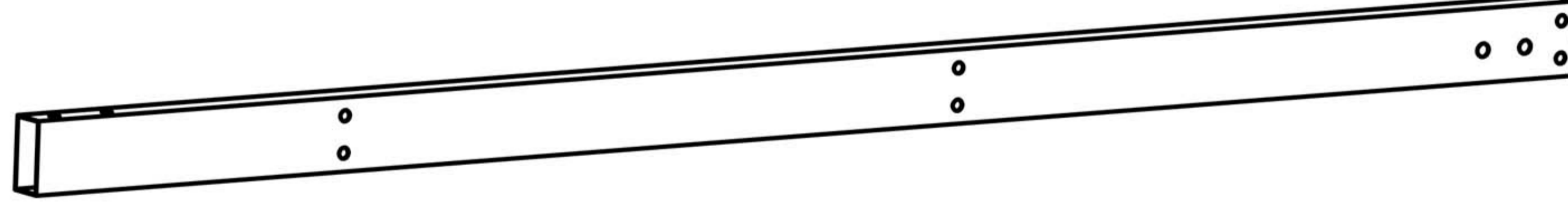
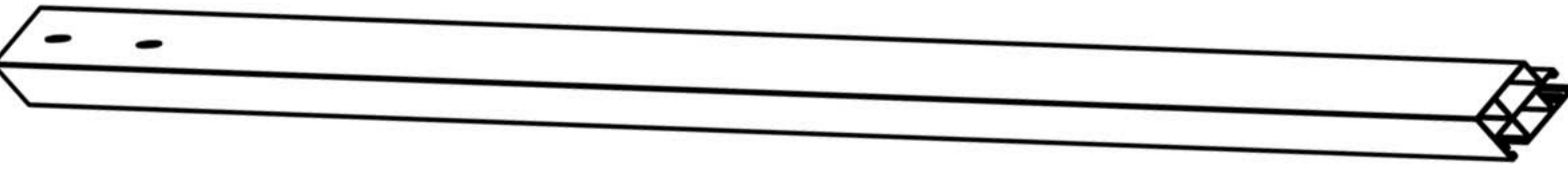
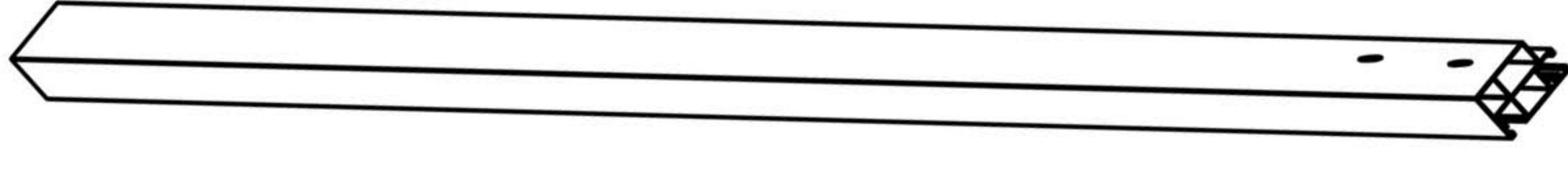
Please take care of the screws and contact the after-sales service if there is any problem with the installation or parts.



# ACCESSORY CATALOGUE

Item no.	Reference Image	Qty.	Item no.	Reference Image	Qty.
<b>X</b>	 M6X40mm	<b>20</b>	<b>X2</b>	 M6X15mm	<b>16</b>
<b>X1</b>	 M6X15mm	<b>168</b>	<b>X3</b>	 M5X15mm	<b>52</b>
<b>1</b>		<b>8</b>	<b>2</b>		<b>1</b>





**BOX 2** SKU: BPYW24G056-2

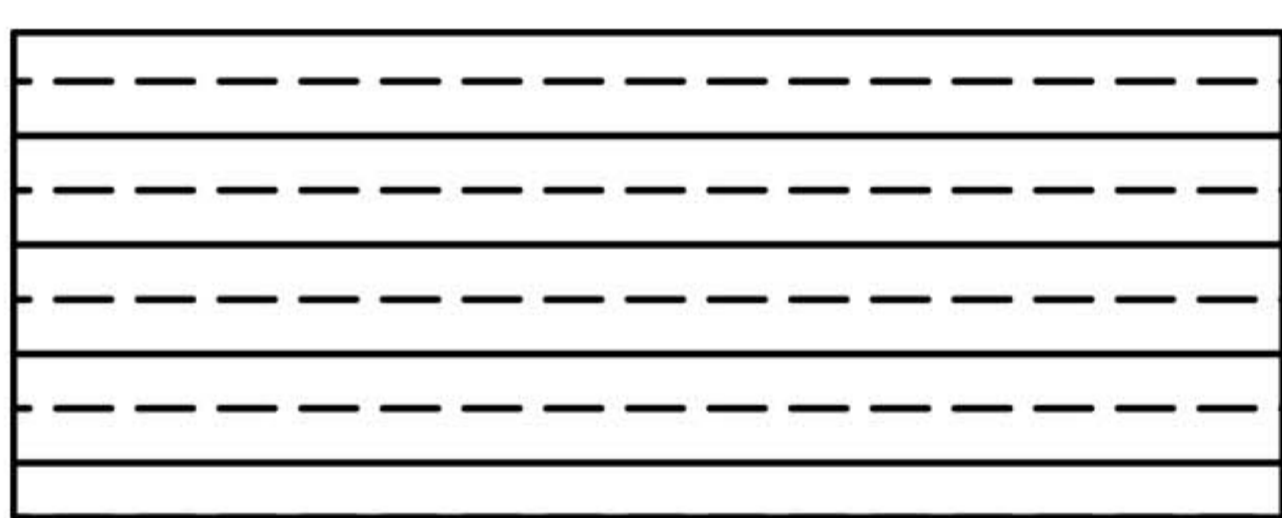
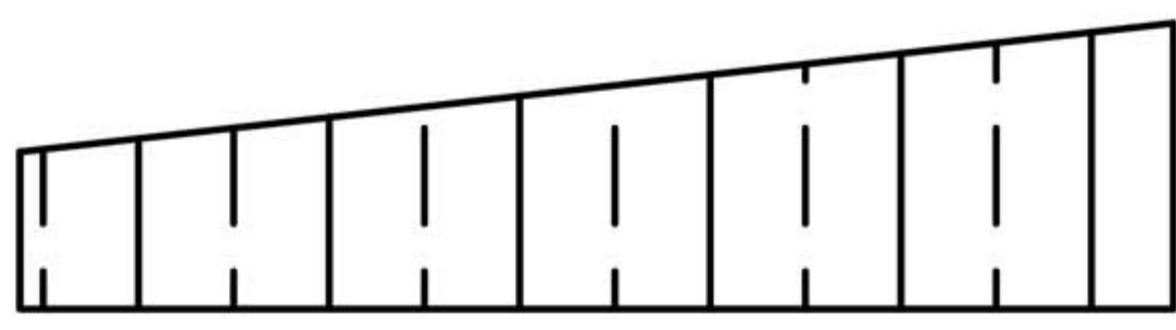
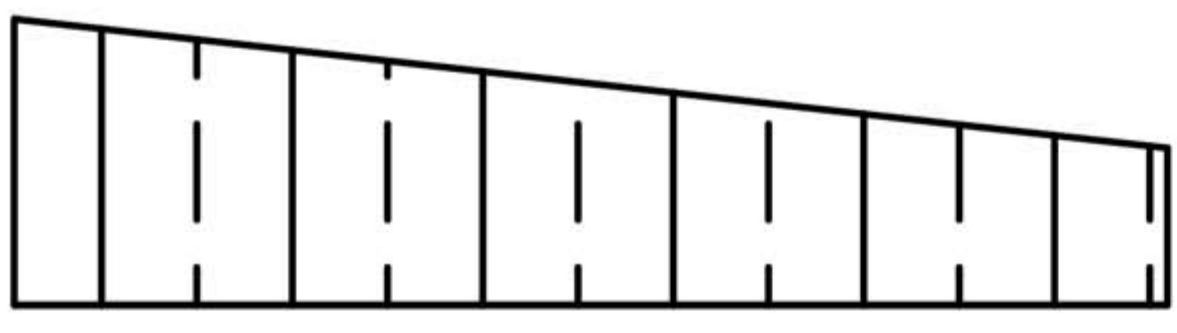
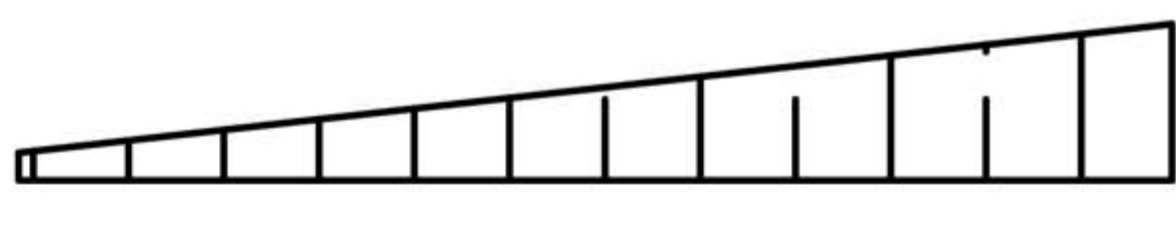
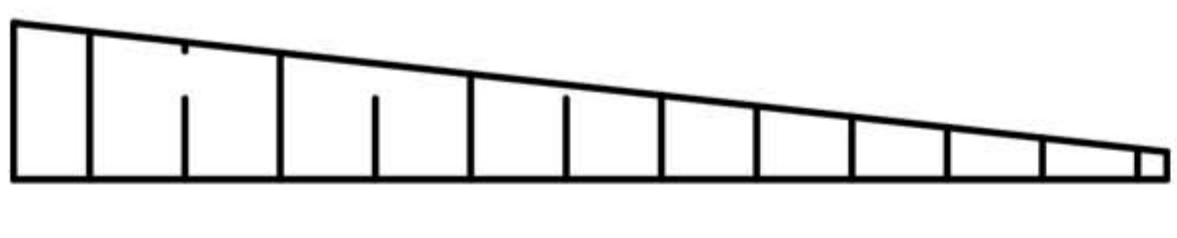
Item no.	Reference Image	Qty.
<b>B</b>		<b>1</b>
<b>B1</b>		<b>1</b>
<b>E</b>		<b>1</b>
<b>E1</b>		<b>1</b>

Please take care of the screws and contact the after-sales service if there is any problem with the installation or parts.

➔ ✉ E-mail: [cs.helper01@gmail.com](mailto:cs.helper01@gmail.com)

# ACCESSORY CATALOGUE

Item no.	Reference Image	Qty.
<b>E2</b>		1
<b>E3</b>		1
<b>K</b>		4
<b>K1</b>		4

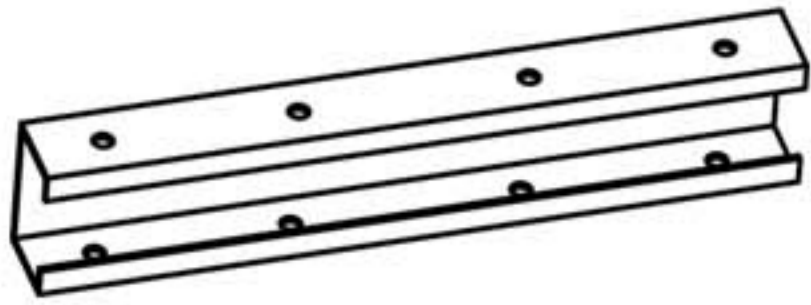
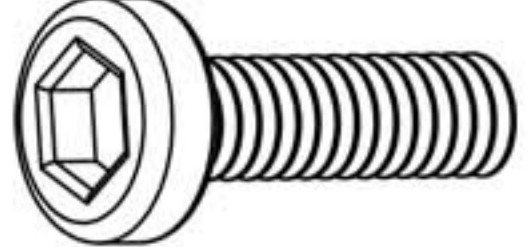


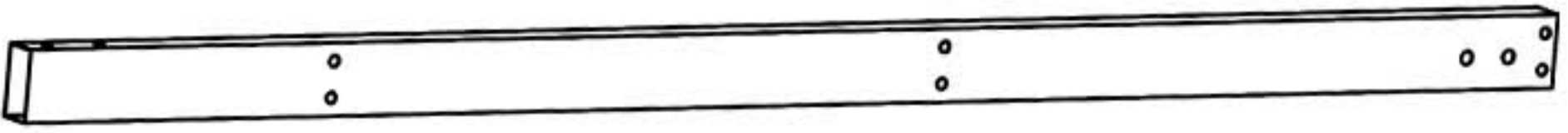

Item no.	Reference Image	Qty.	Item no.	Reference Image	Qty.
<b>Y</b>		10	<b>Y3</b>		1
<b>Y1</b>		1	<b>Y4</b>		1
<b>Y2</b>		1			


Please take care of the screws and contact the after-sales service if there is any problem with the installation or parts.

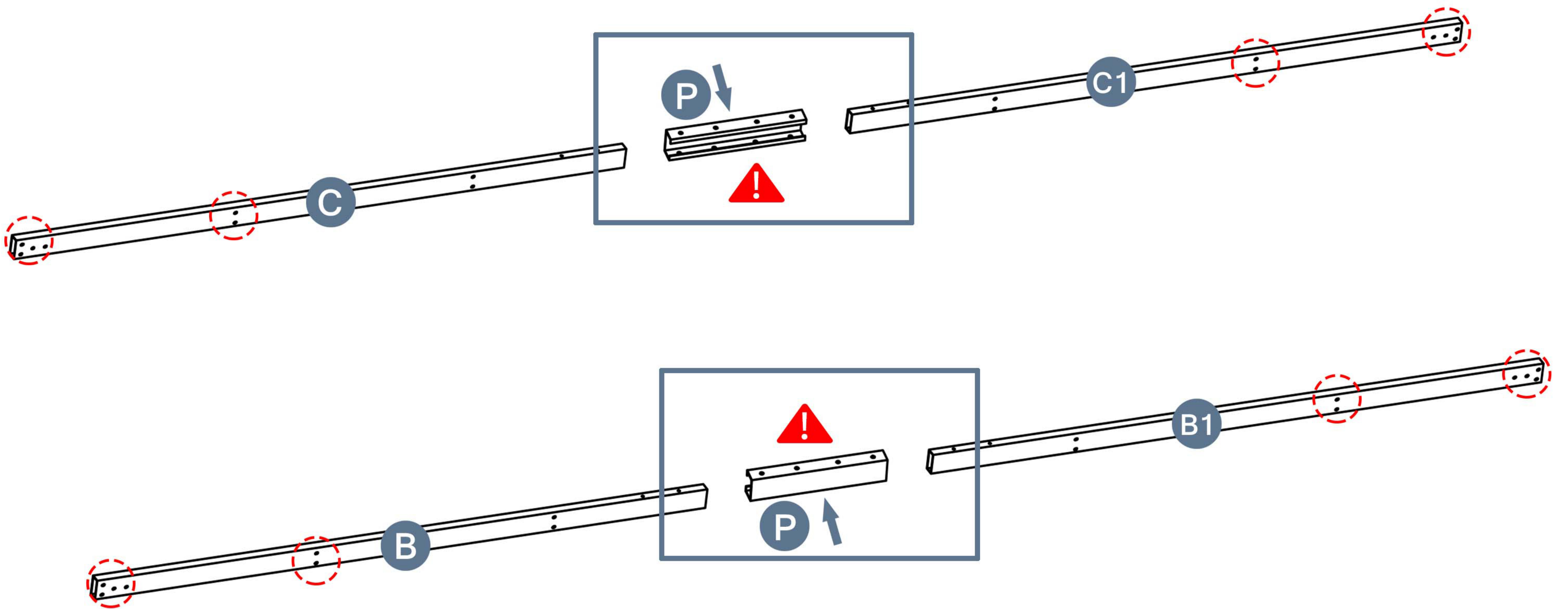
➔ ✉ E-mail: [cs.helper01@gmail.com](mailto:cs.helper01@gmail.com)


# STEP 1

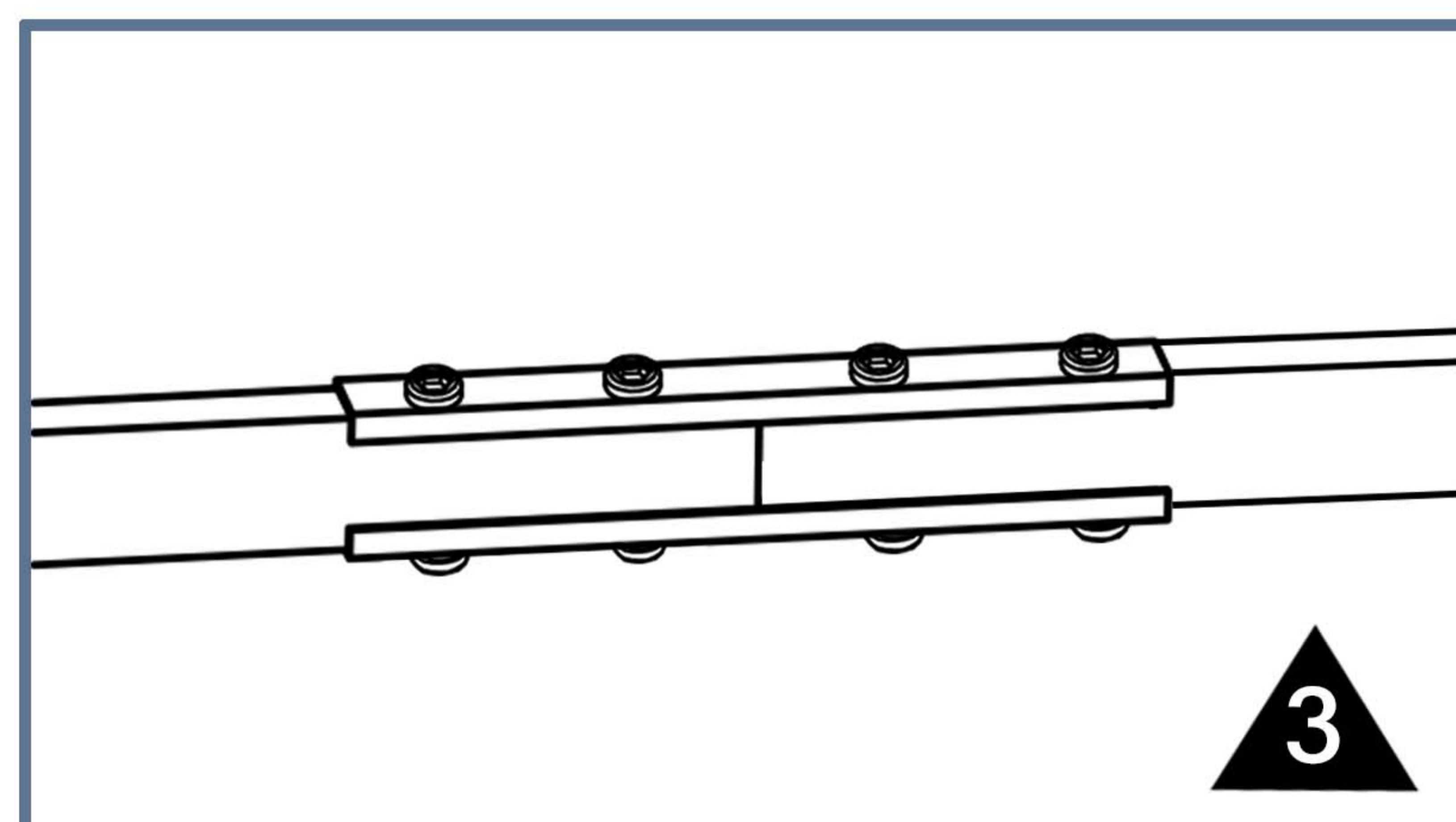
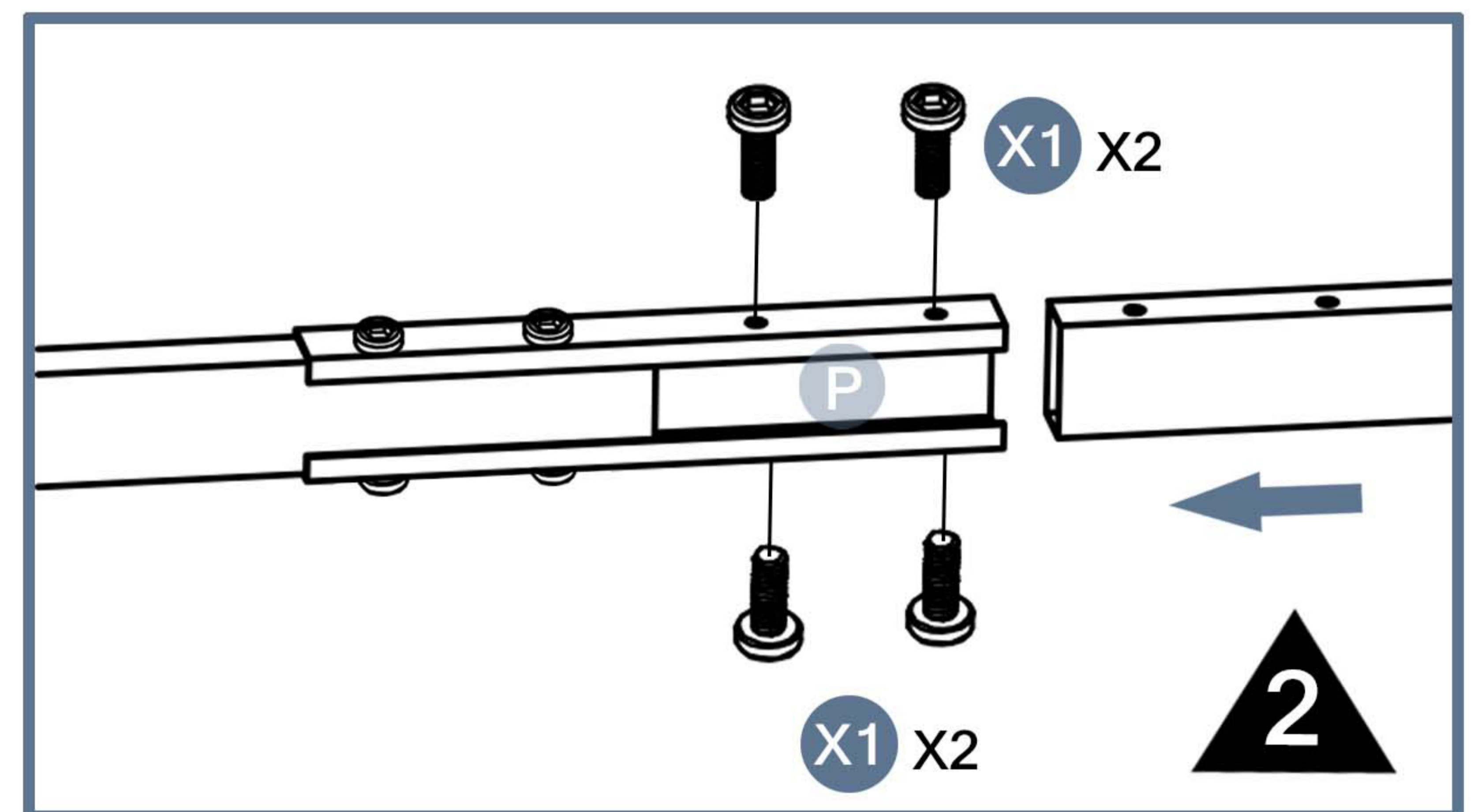
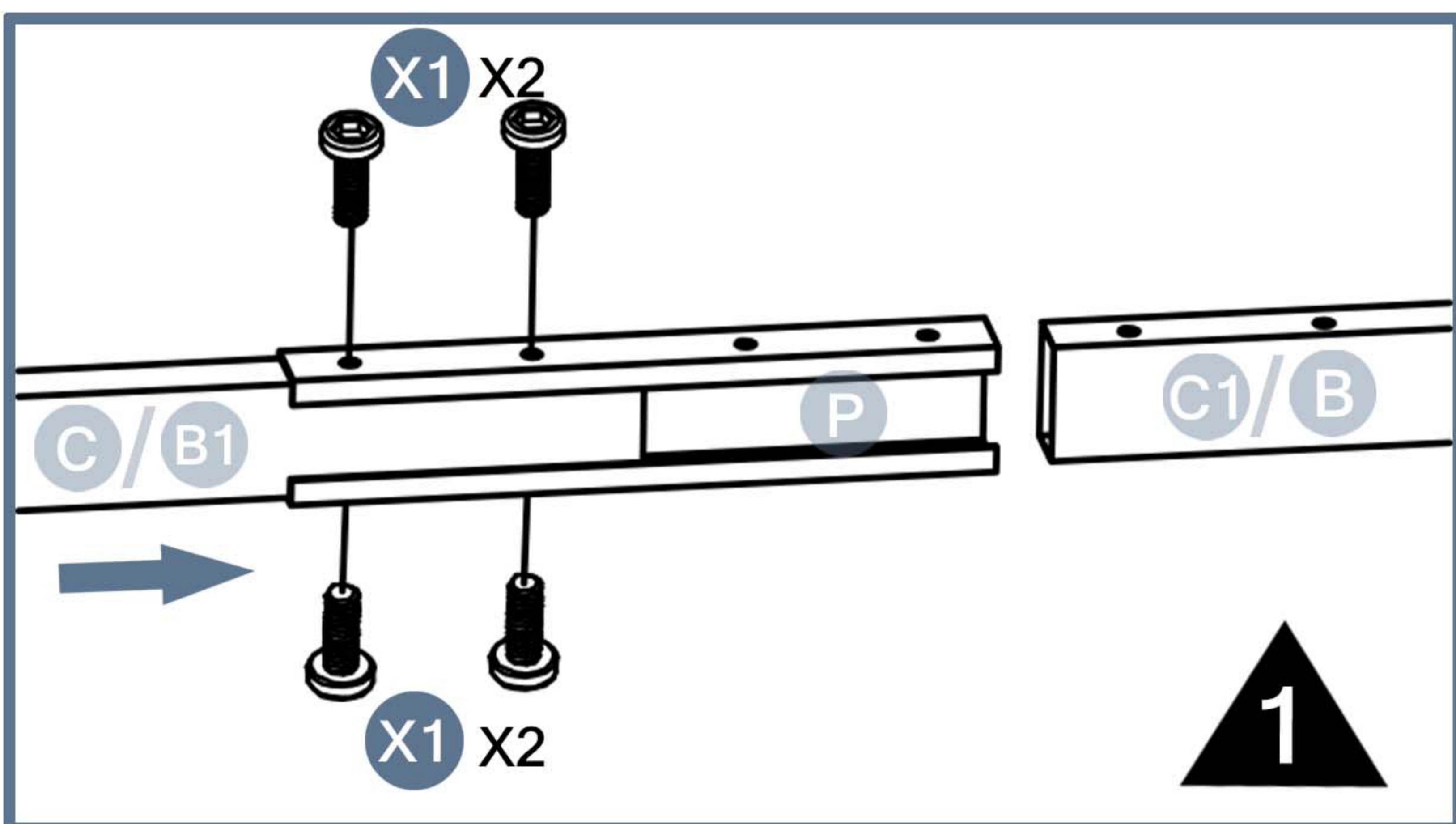
Parts required

	<b>P</b> 2pcs		<b>X1</b> 16pcs
	<b>C</b> 1pcs		<b>B</b> 1pcs
	<b>C1</b> 1pcs		<b>B1</b> 1pcs

 Please note the orientation of the hole.



 Pay attention to the direction of **P** and pipe.

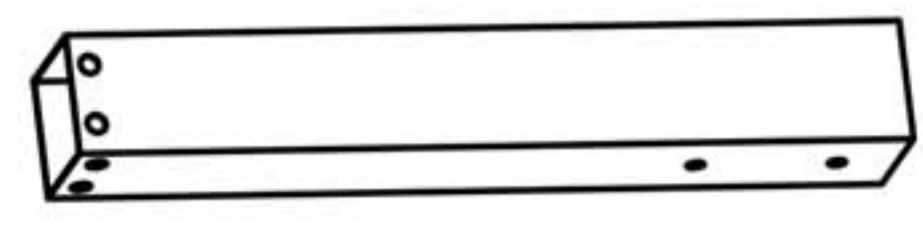


Please take care of the screws and contact the after-sales service if there is any problem with the installation or parts.

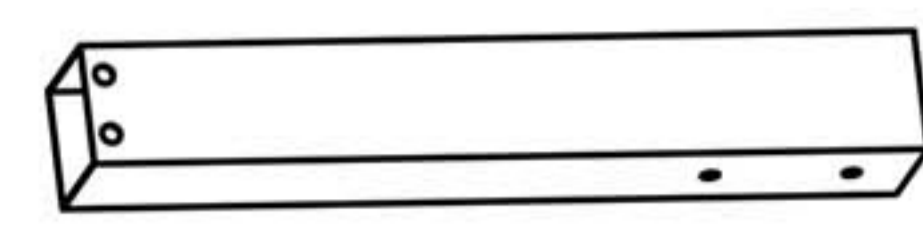
  E-mail: [cs.helper01@gmail.com](mailto:cs.helper01@gmail.com)

# STEP 2

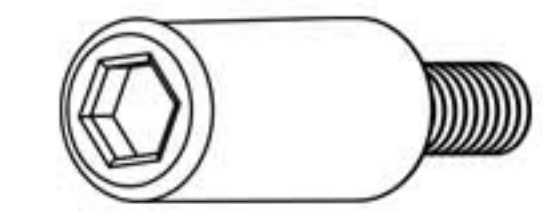
Parts required



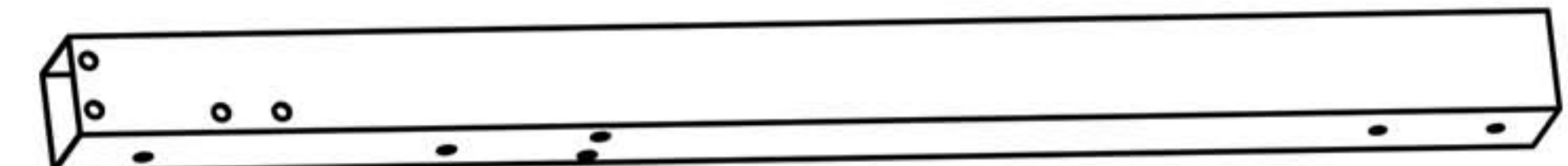
A1 1pcs



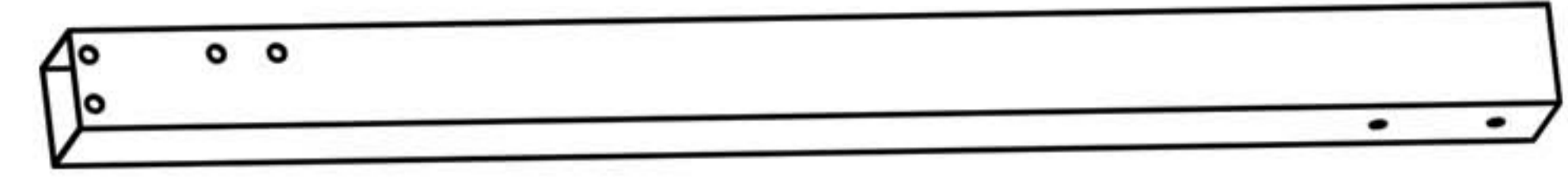
A2 1pcs



X 8pcs

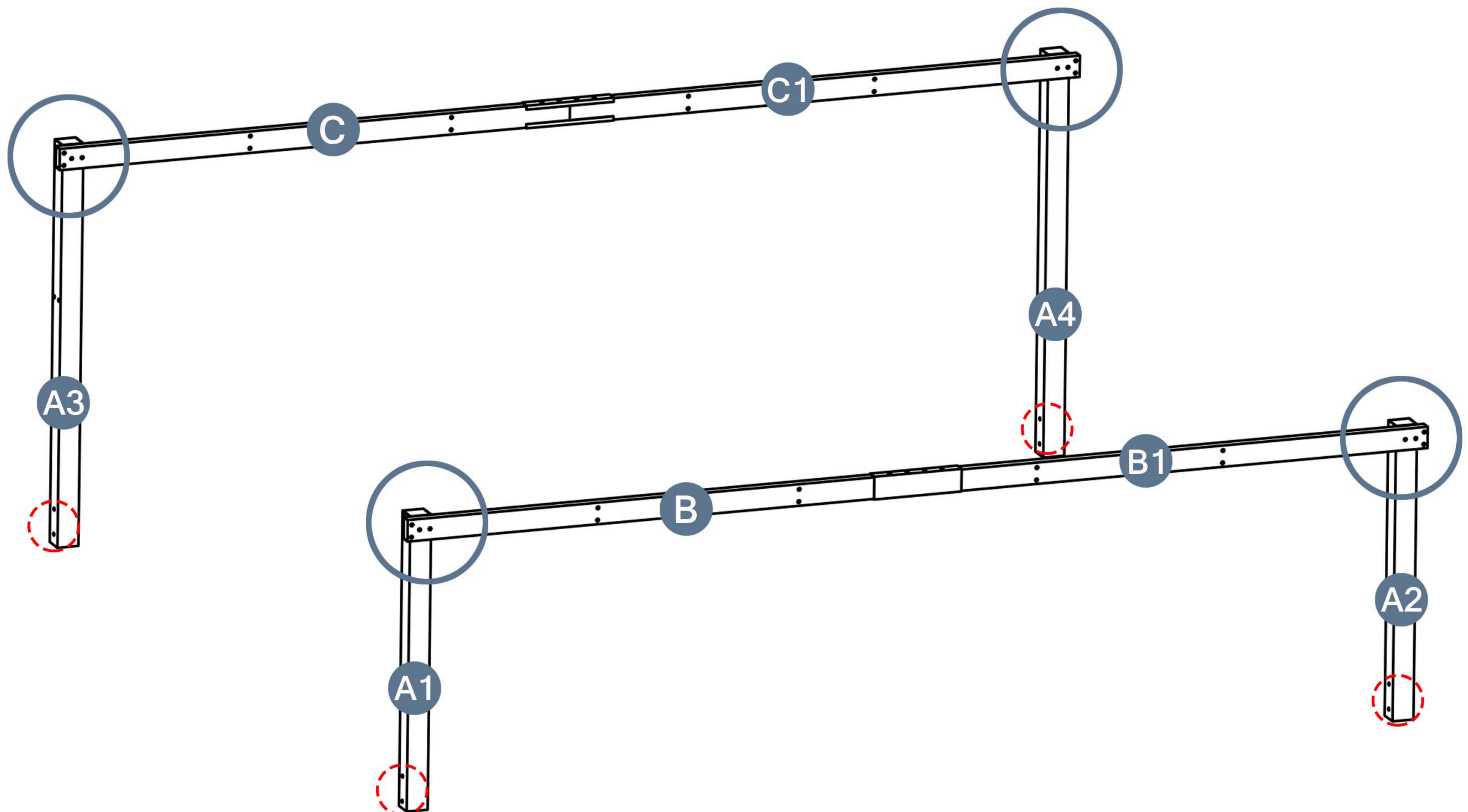
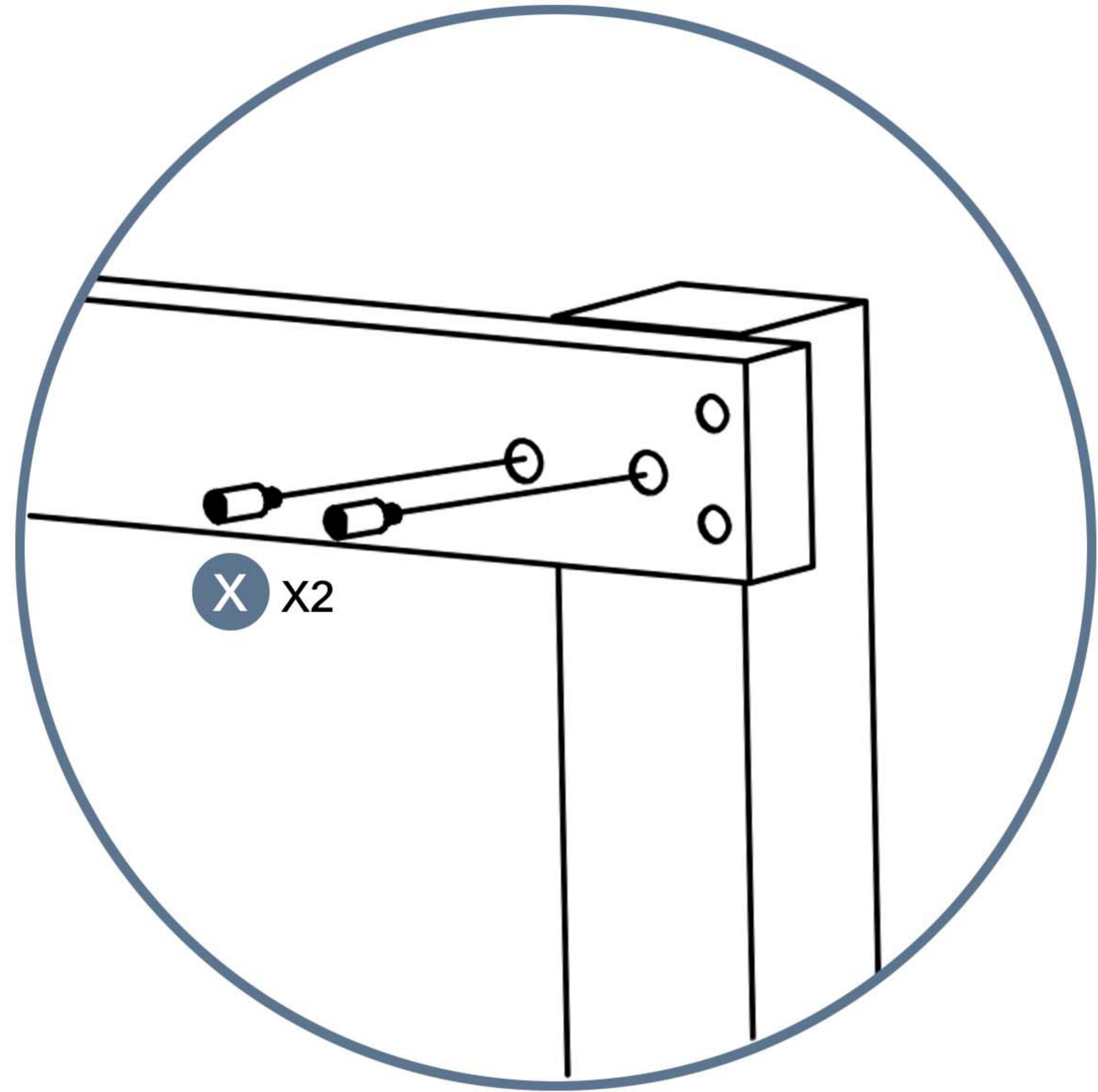
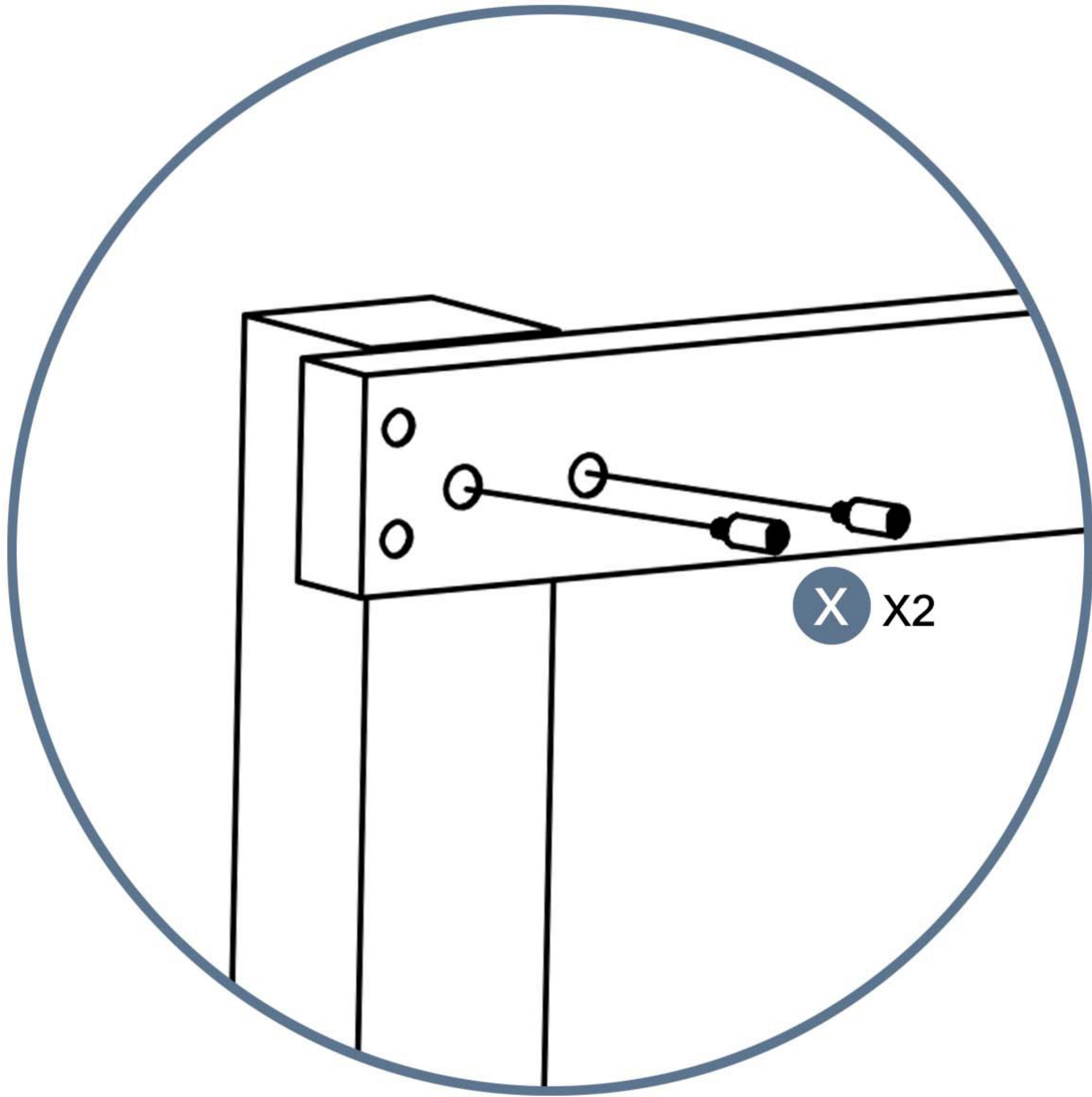


A3 1pcs



A4 1pcs

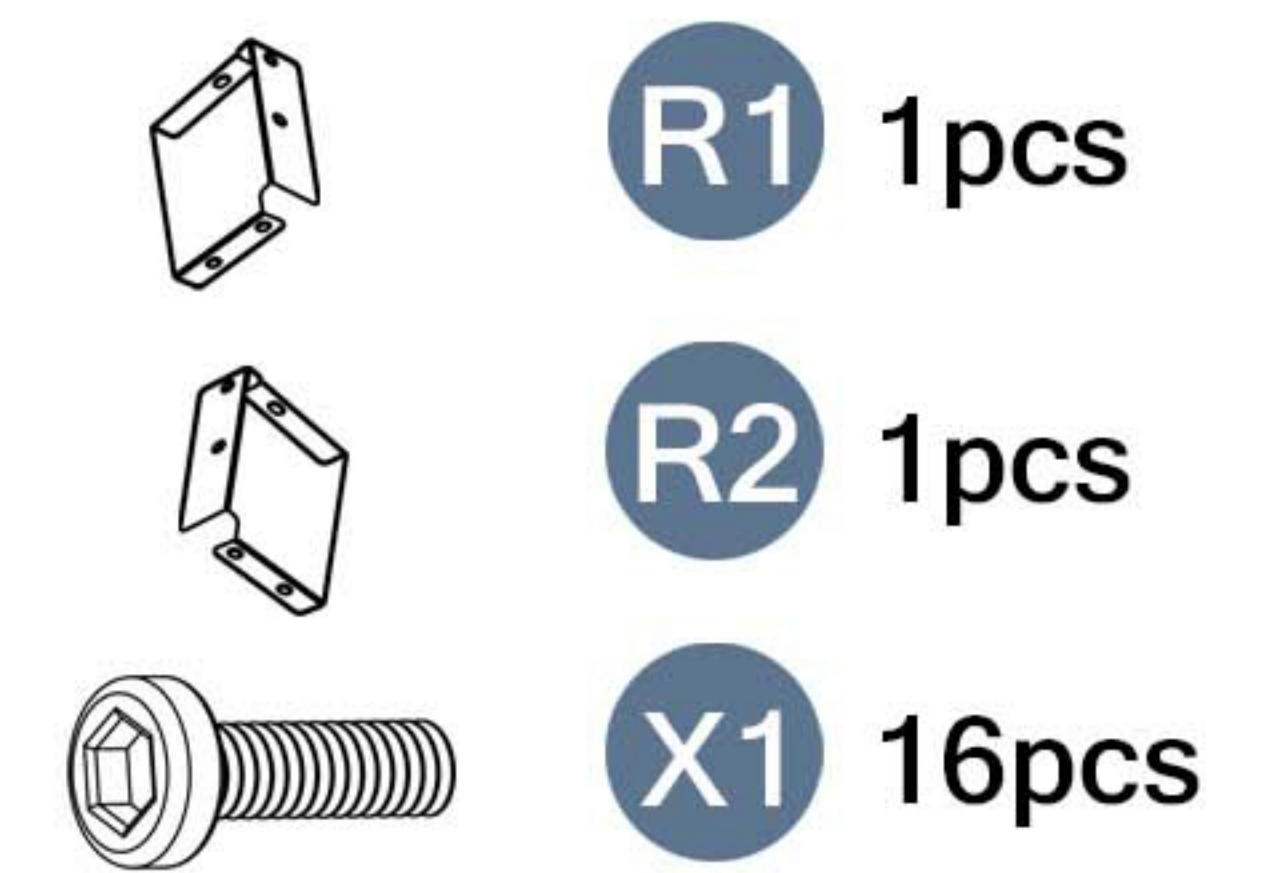
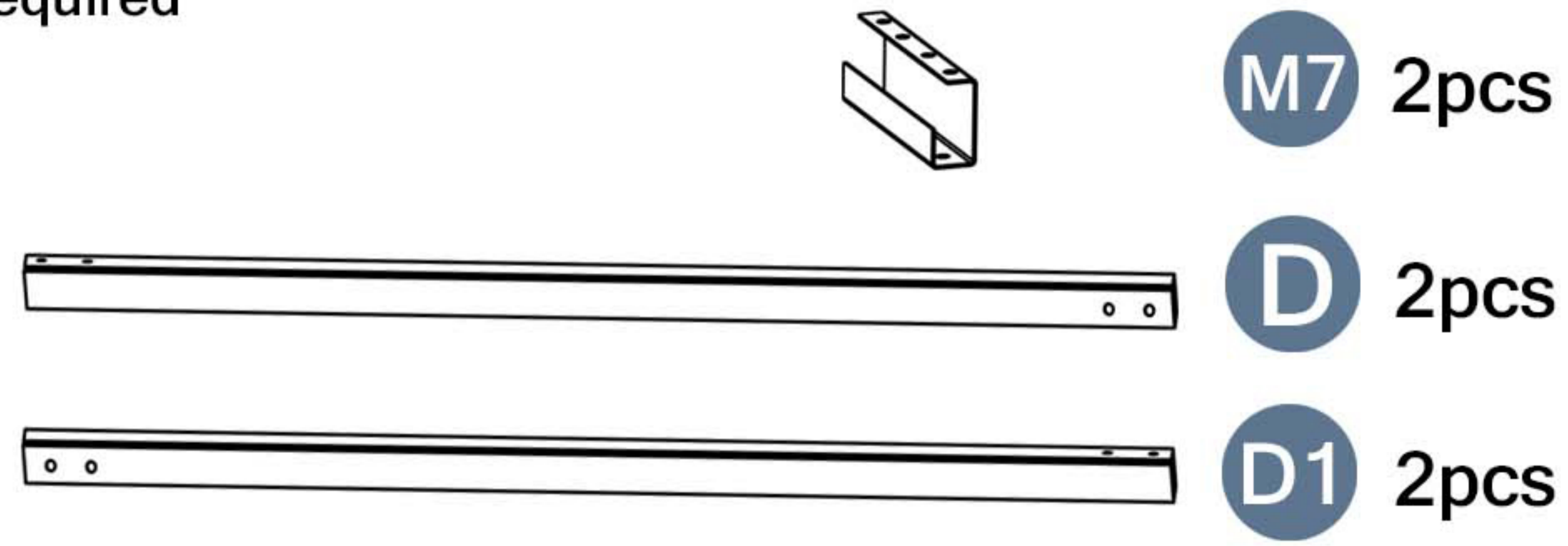
 Please note the orientation of the hole.



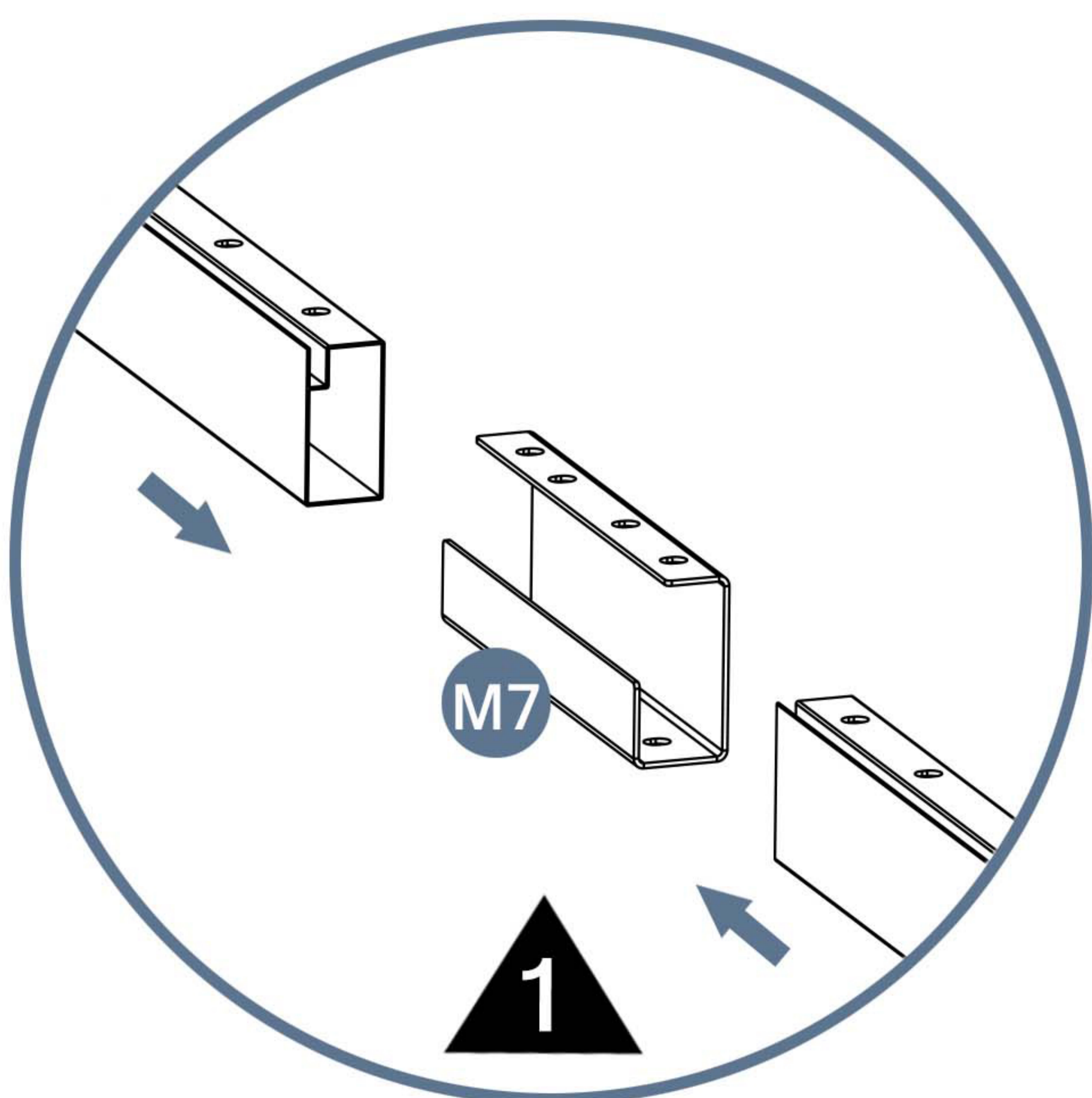
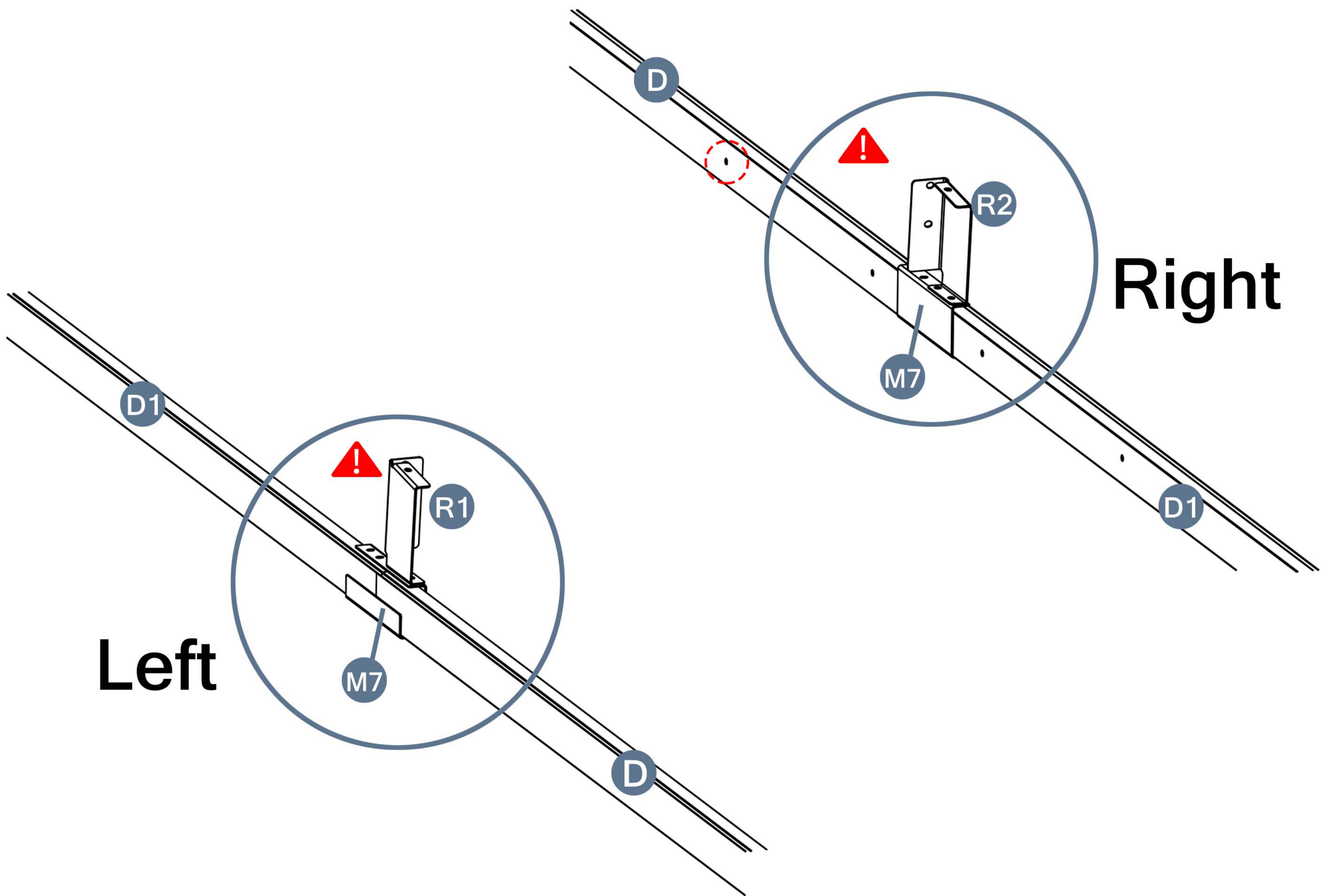
Please take care of the screws and contact the after-sales service if there is any problem with the installation or parts.

# STEP 3

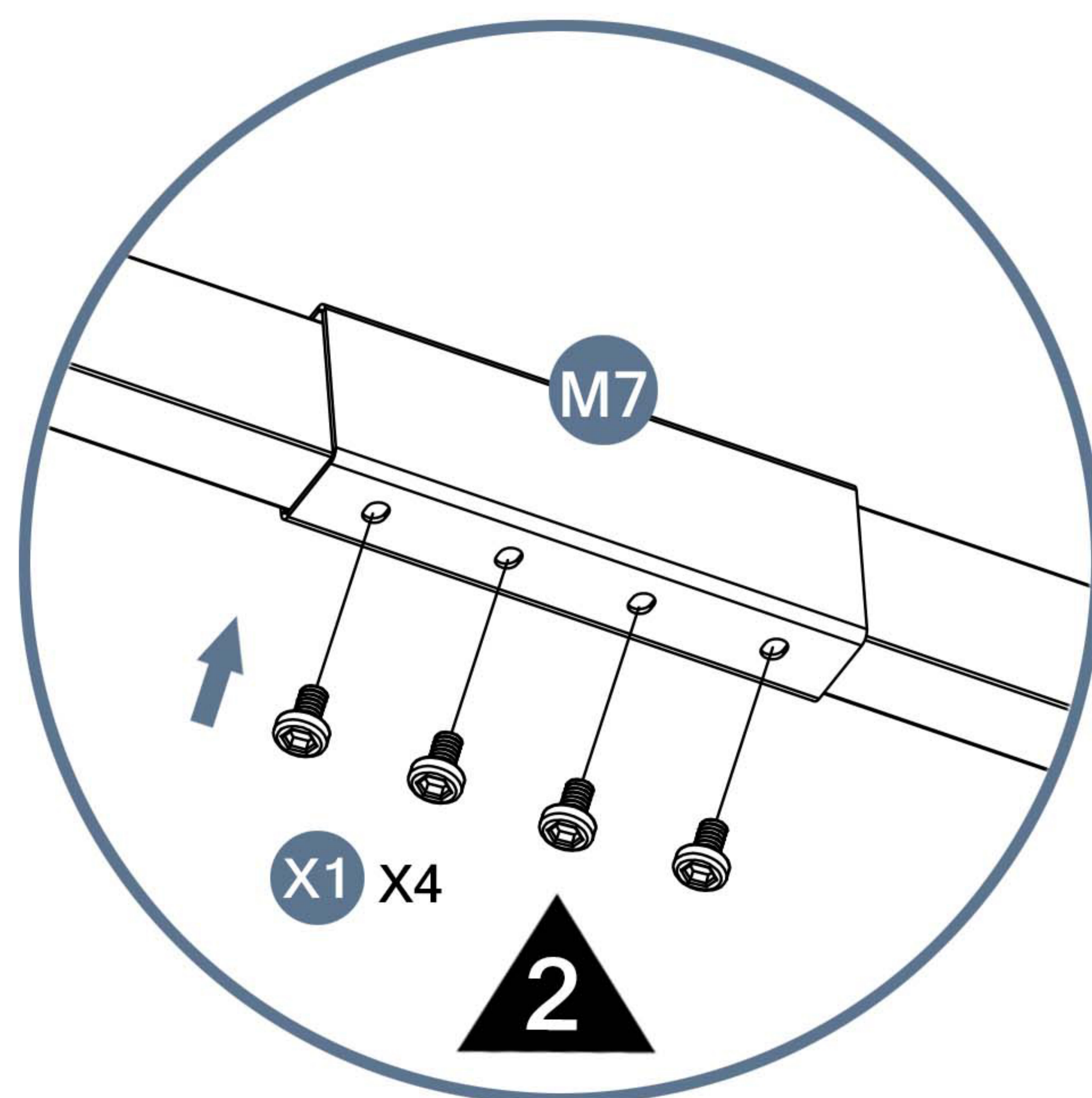
Parts required



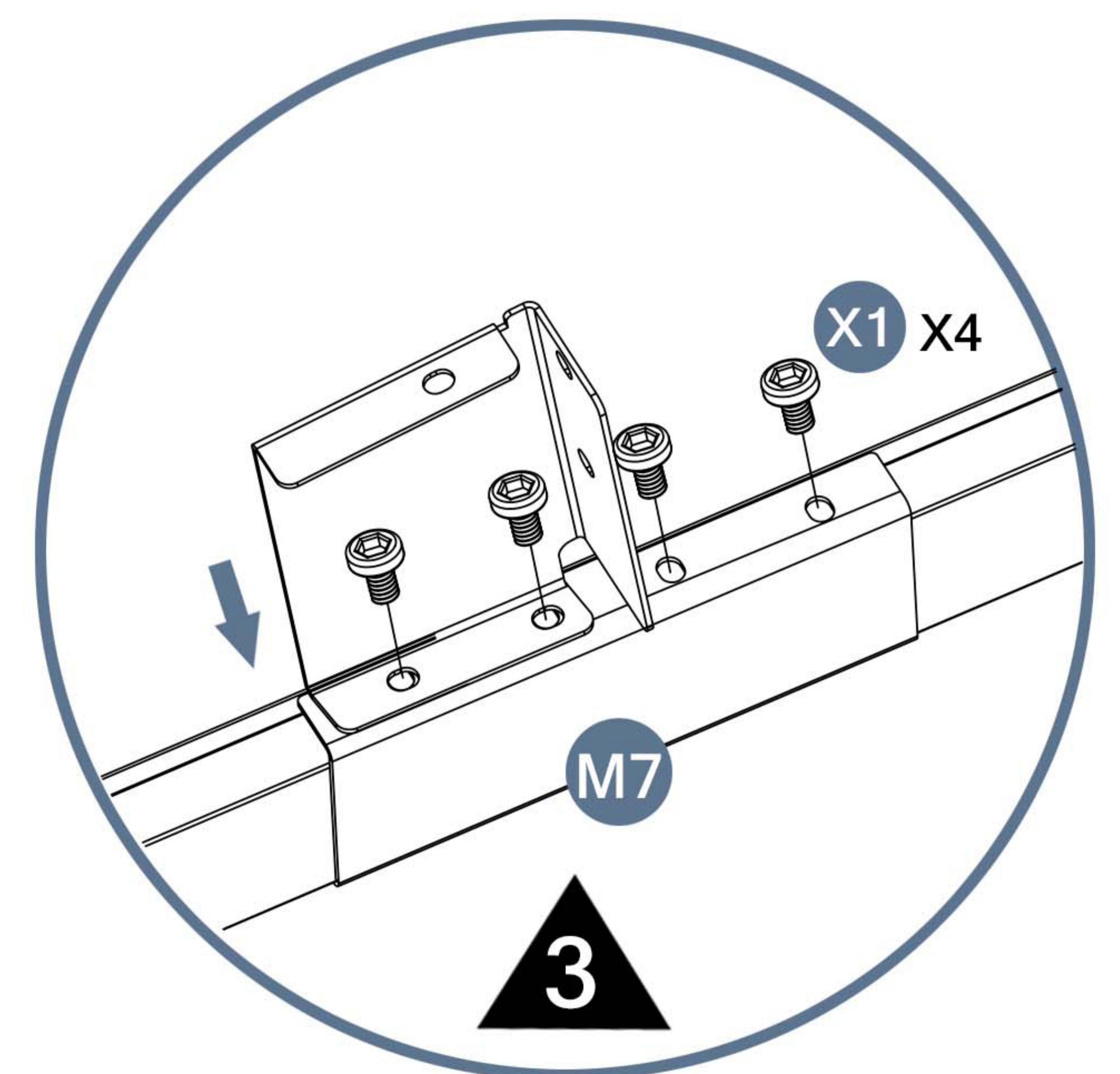
- ⚠ Note the orientation of R1 and R2
- ⦿ Please note the orientation of the hole.



M7 Open your mouth to the outside



From the bottom up



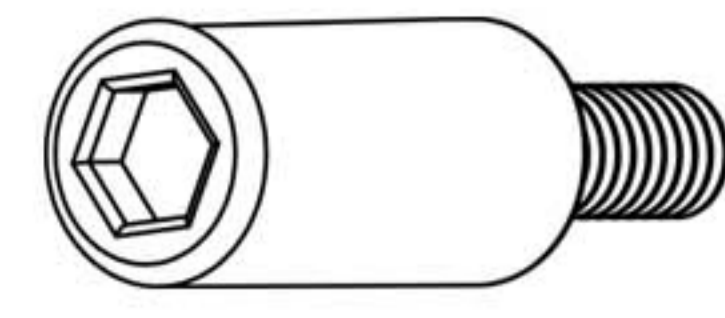
From top to bottom

Please take care of the screws and contact the after-sales service if there is any problem with the installation or parts.

➔ ✉ E-mail: [cs.helper01@gmail.com](mailto:cs.helper01@gmail.com)

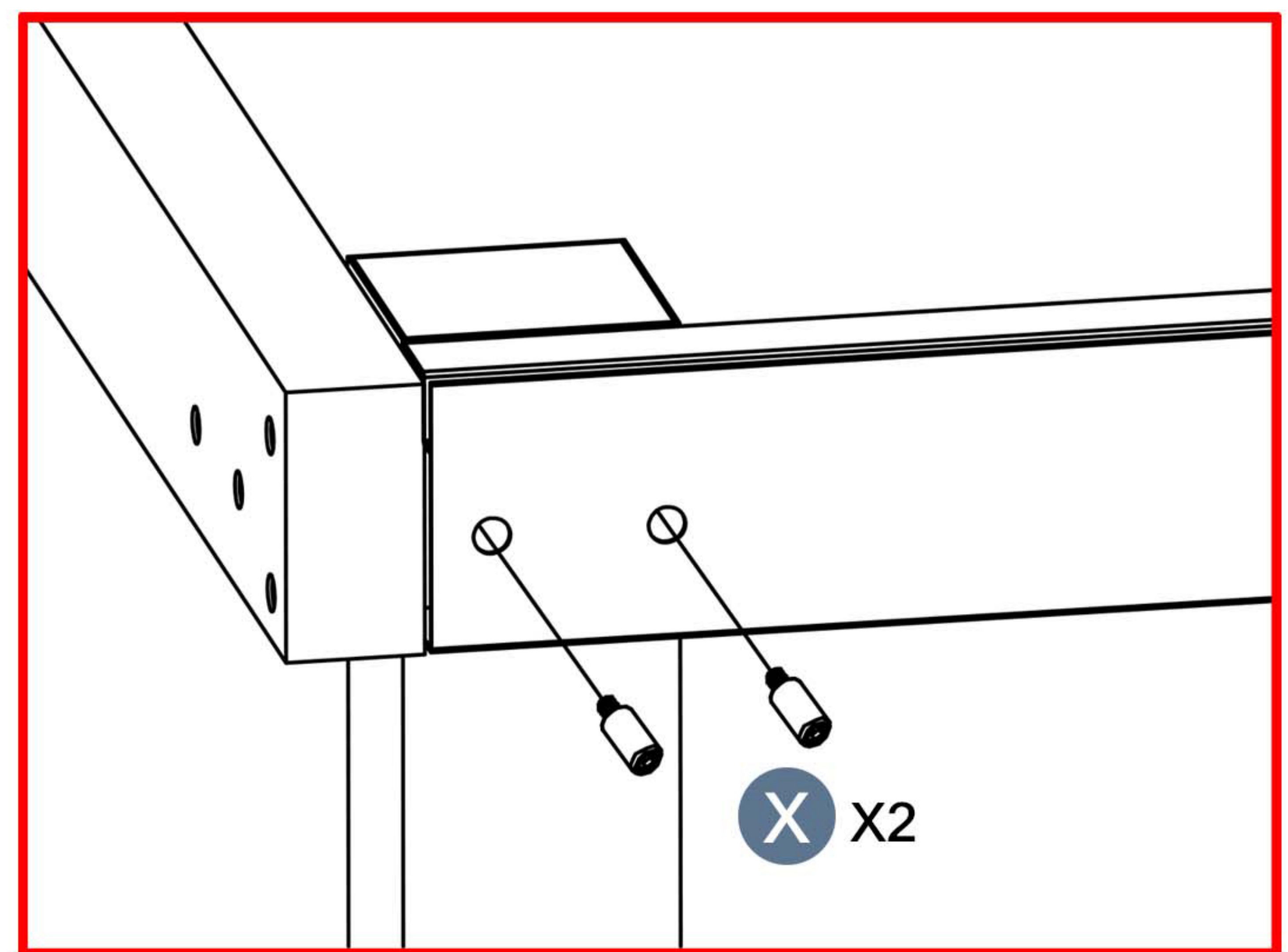
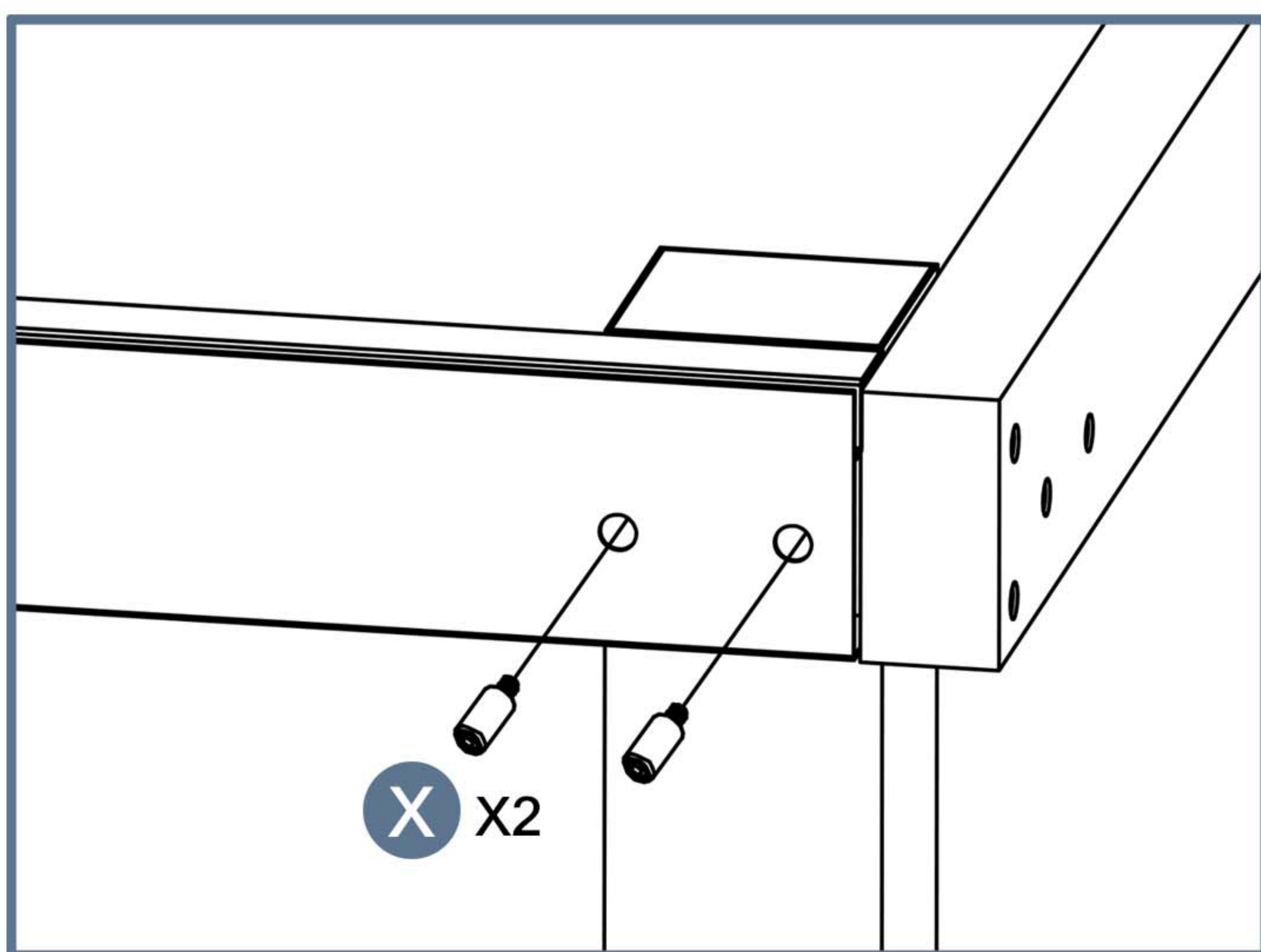
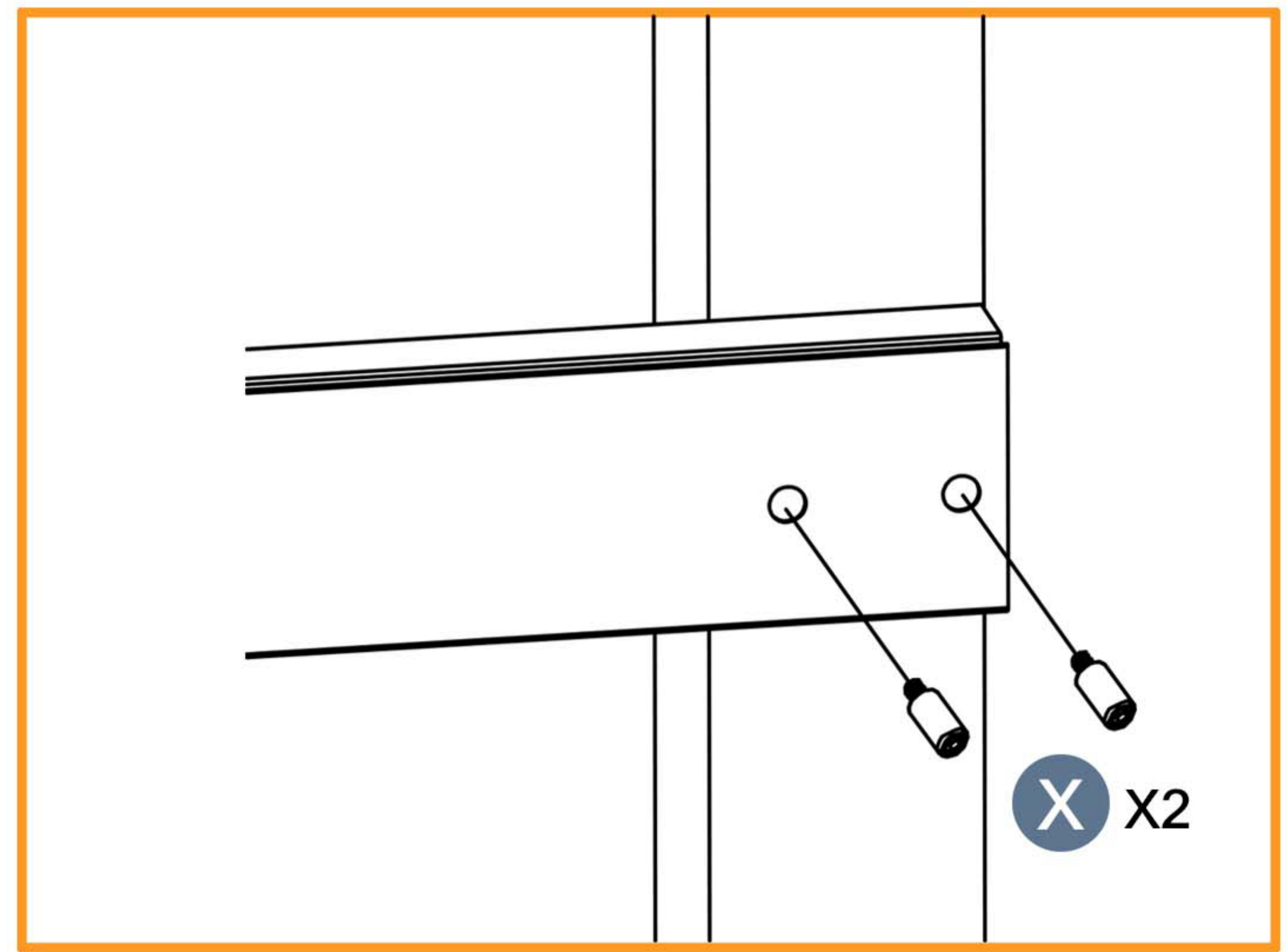
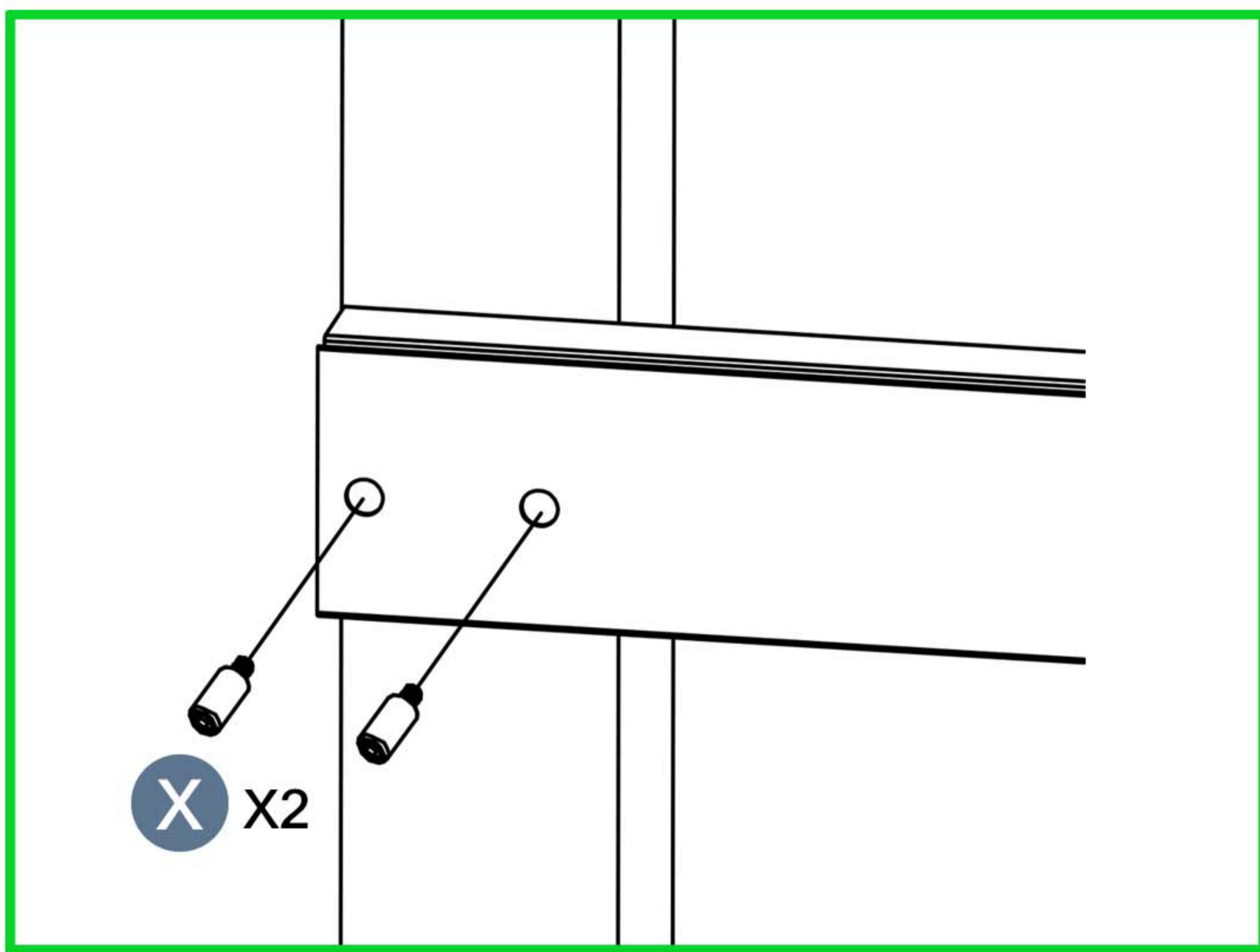
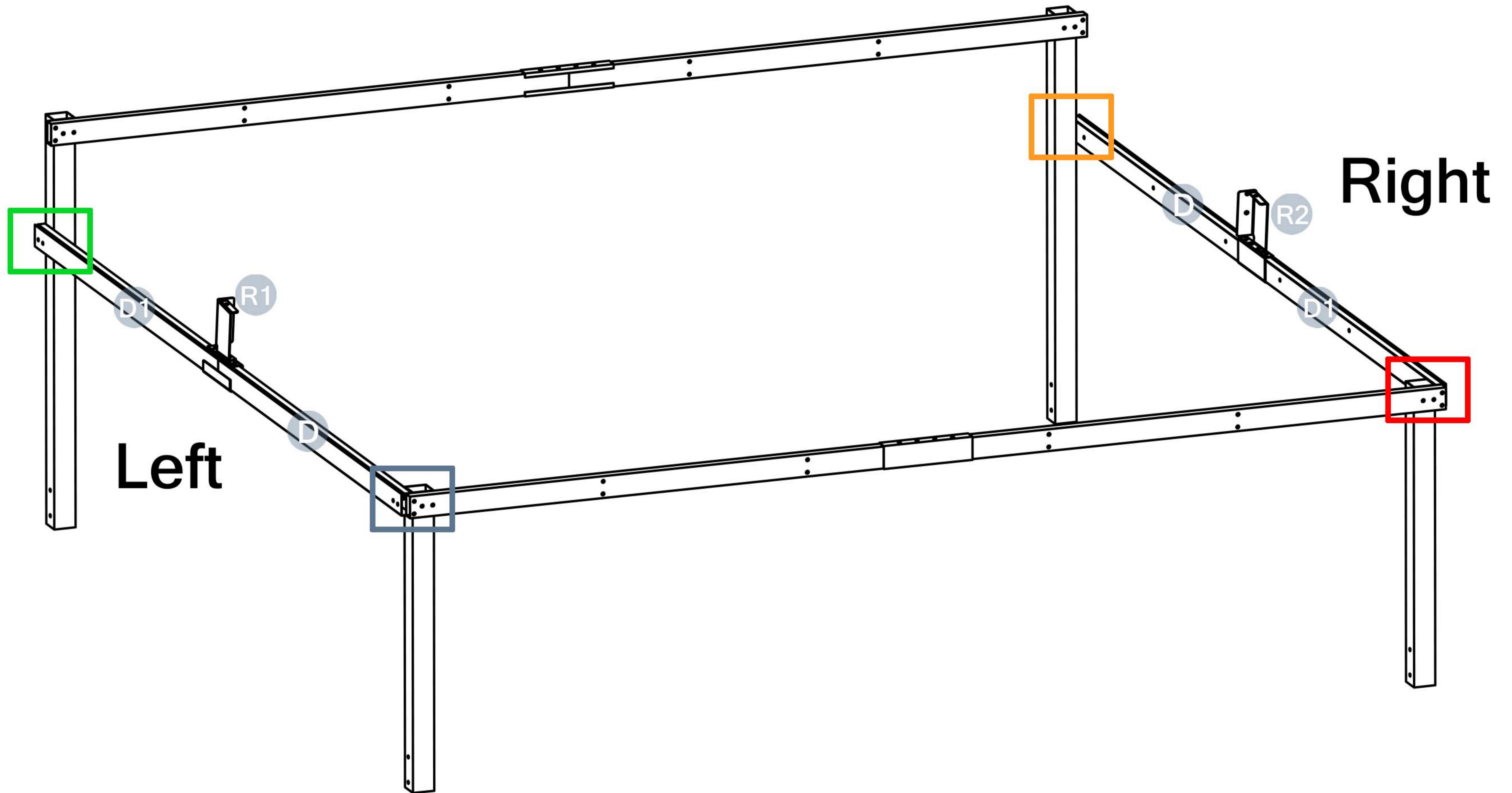
# STEP 4

Parts required

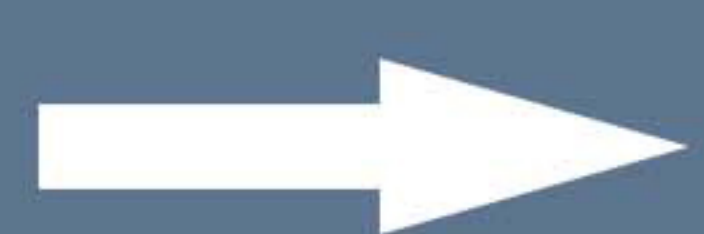


X

8pcs



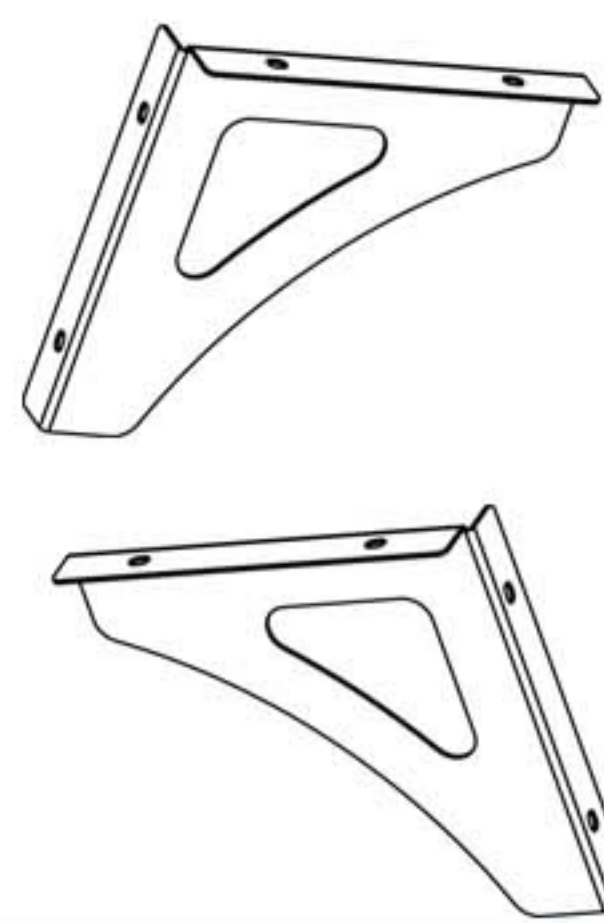
Please take care of the screws and contact the after-sales service if there is any problem with the installation or parts.



E-mail: [cs.helper01@gmail.com](mailto:cs.helper01@gmail.com)

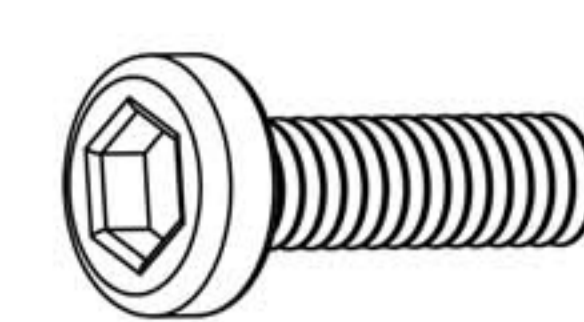
# STEP 5

Parts required

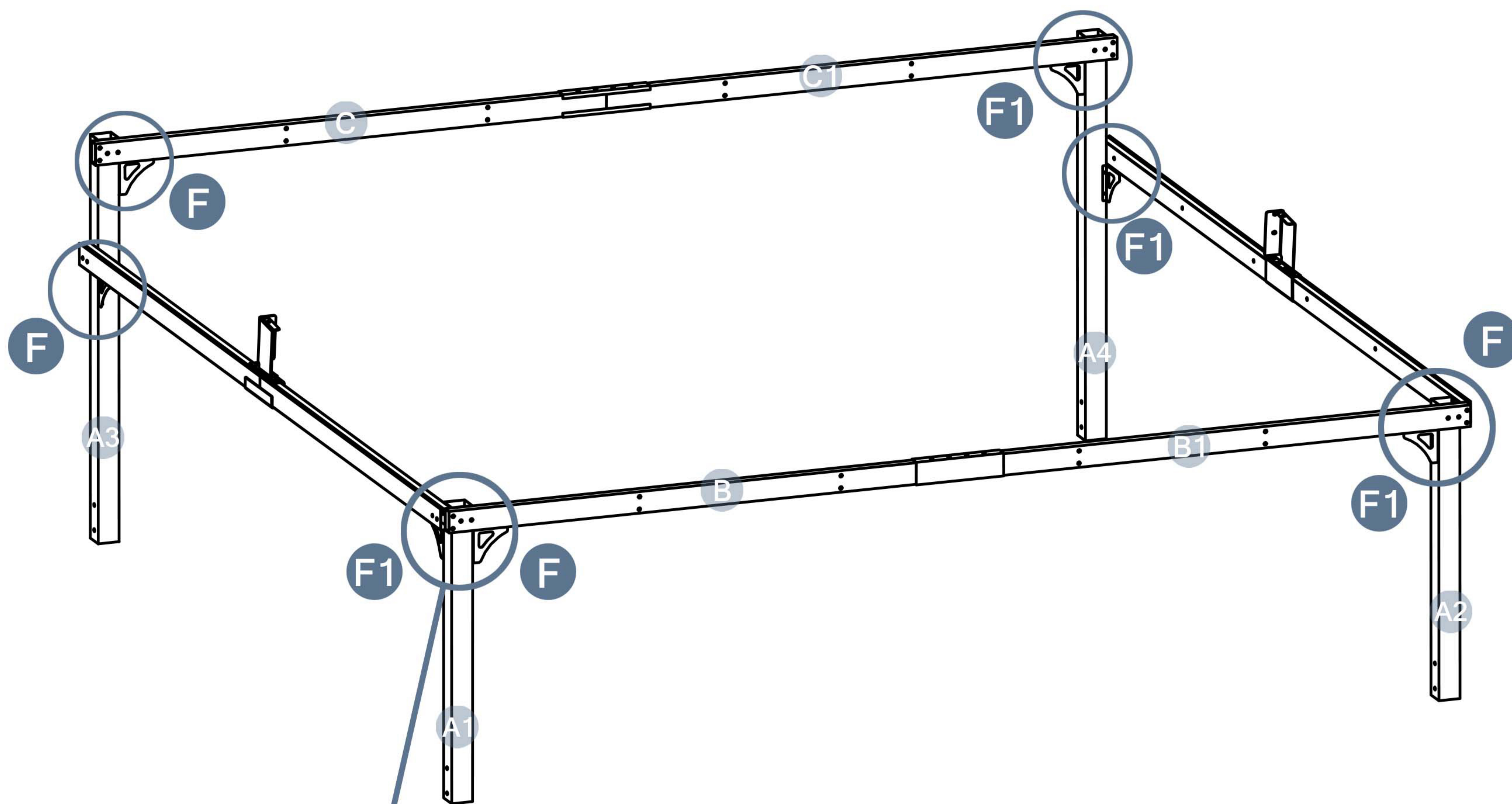


F 4pcs

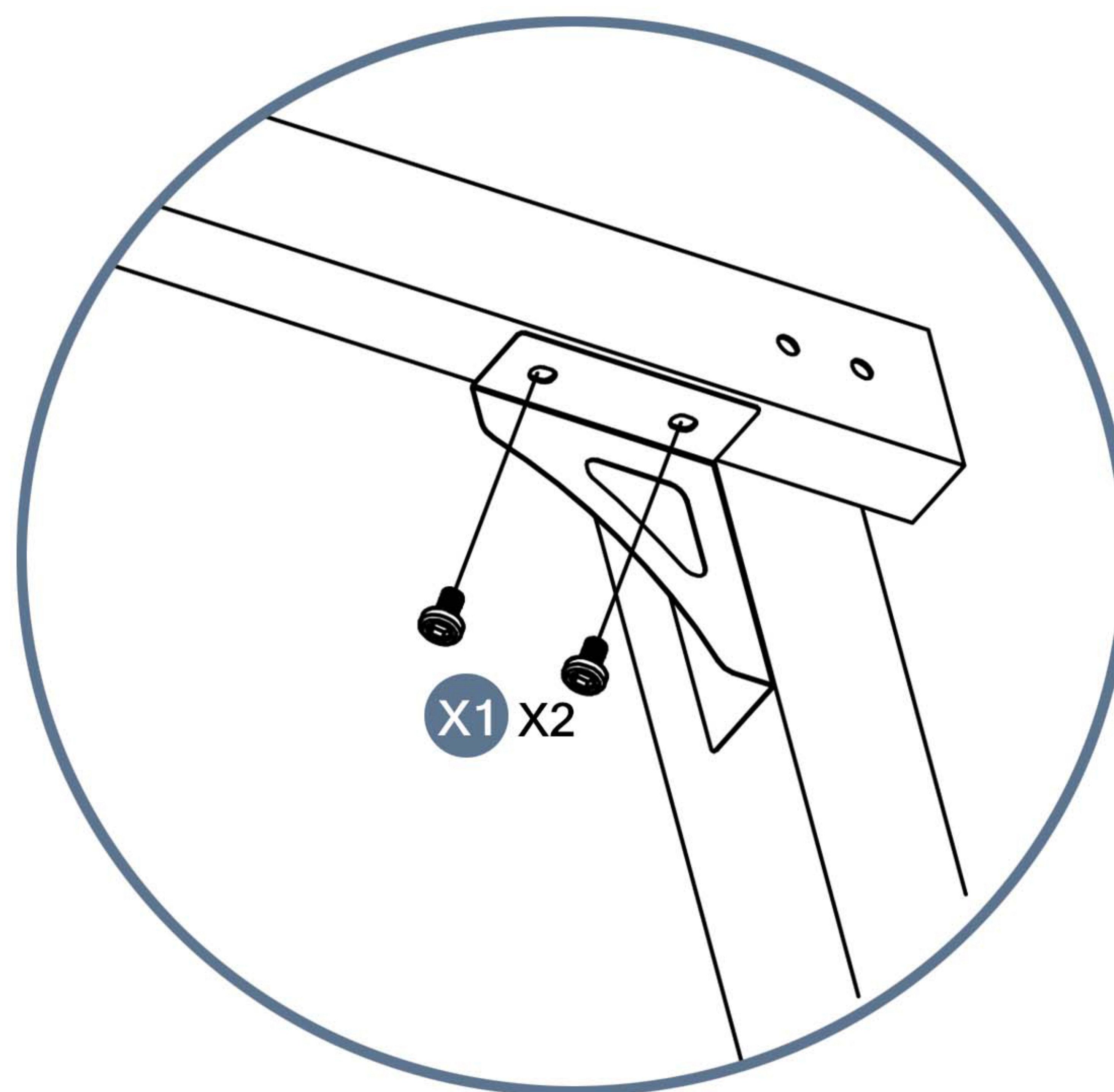
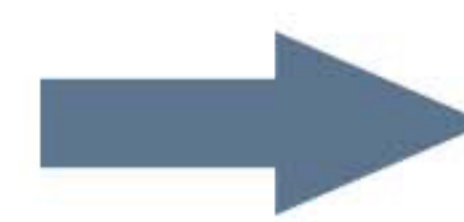
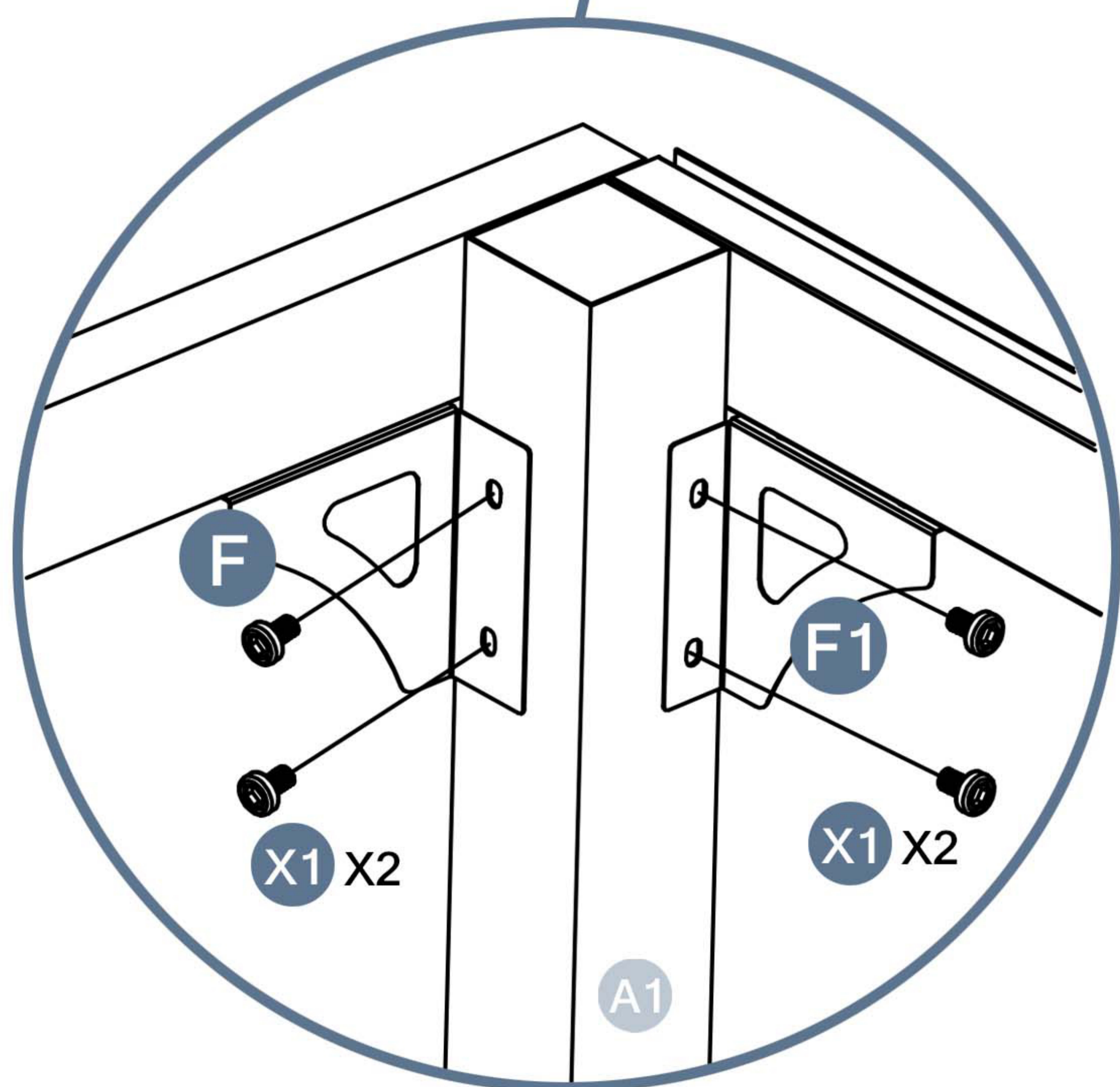
F1 4pcs



X1 32pcs



⚠ Pay attention to the direction of F and F1



Please take care of the screws and contact the after-sales service if there is any problem with the installation or parts.

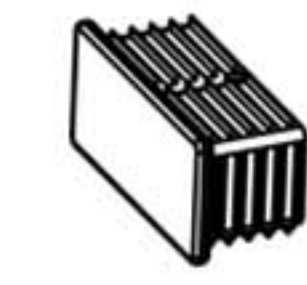
➔ ✉ E-mail: [cs.helper01@gmail.com](mailto:cs.helper01@gmail.com)

# STEP 6

Parts required



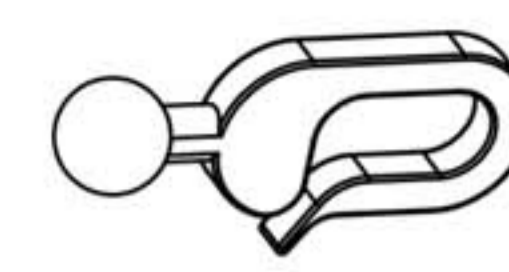
S 4pcs



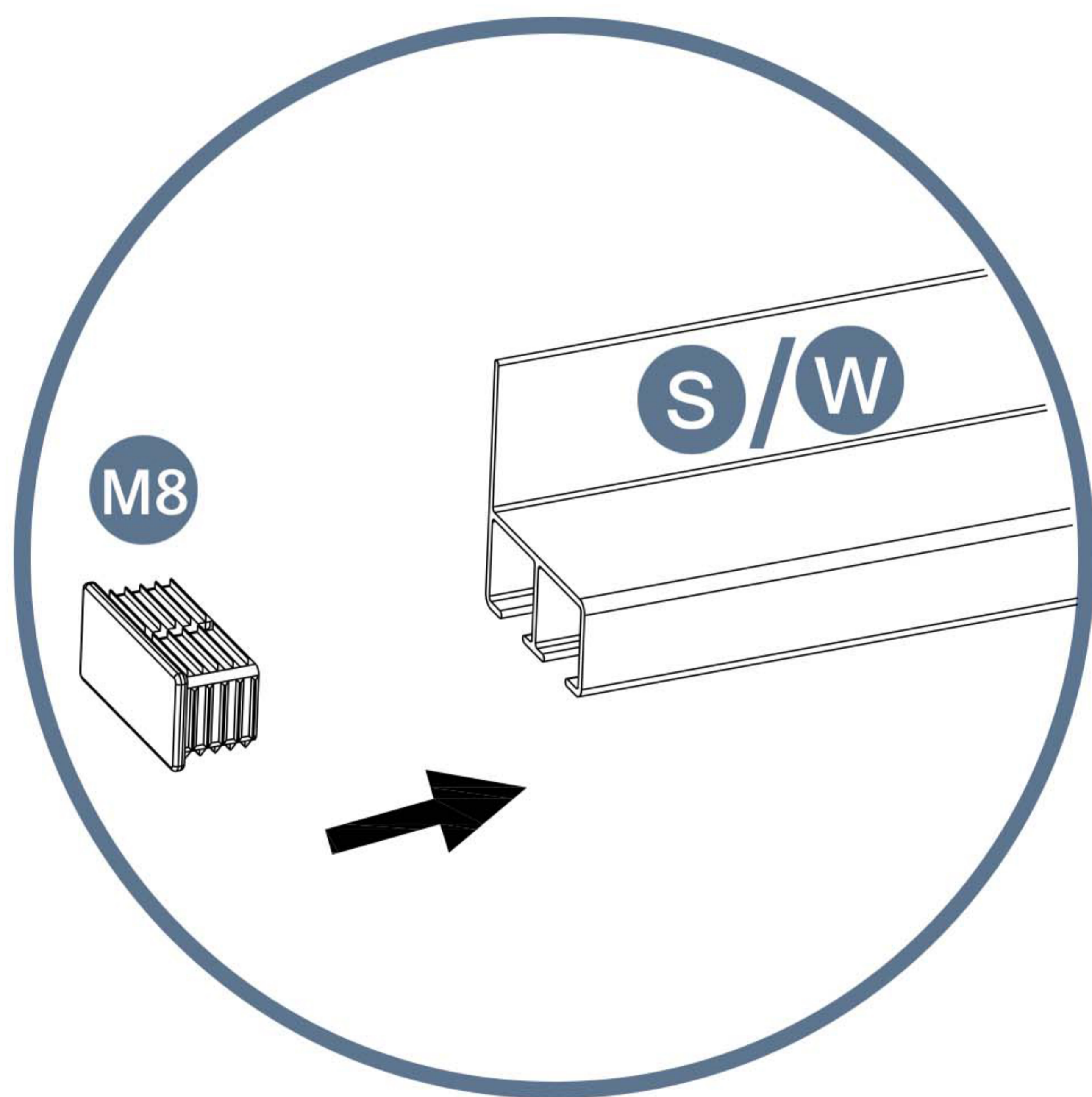
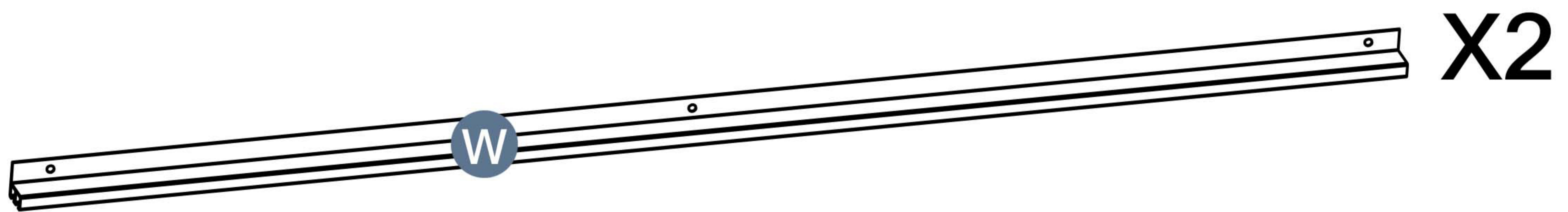
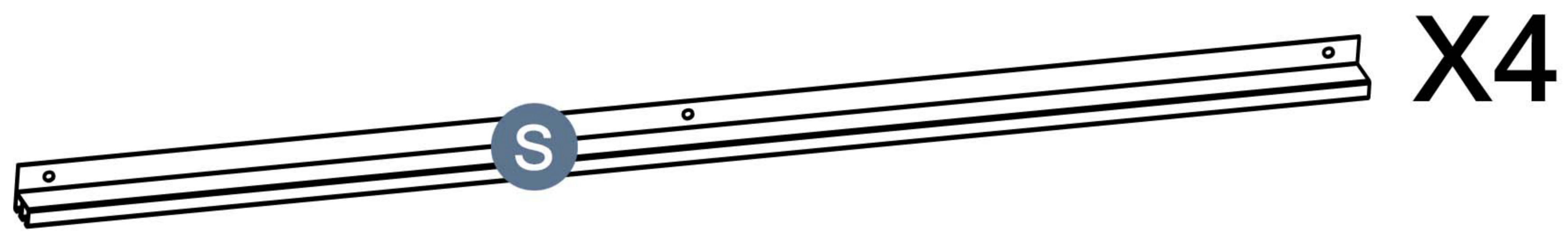
M8 12pcs



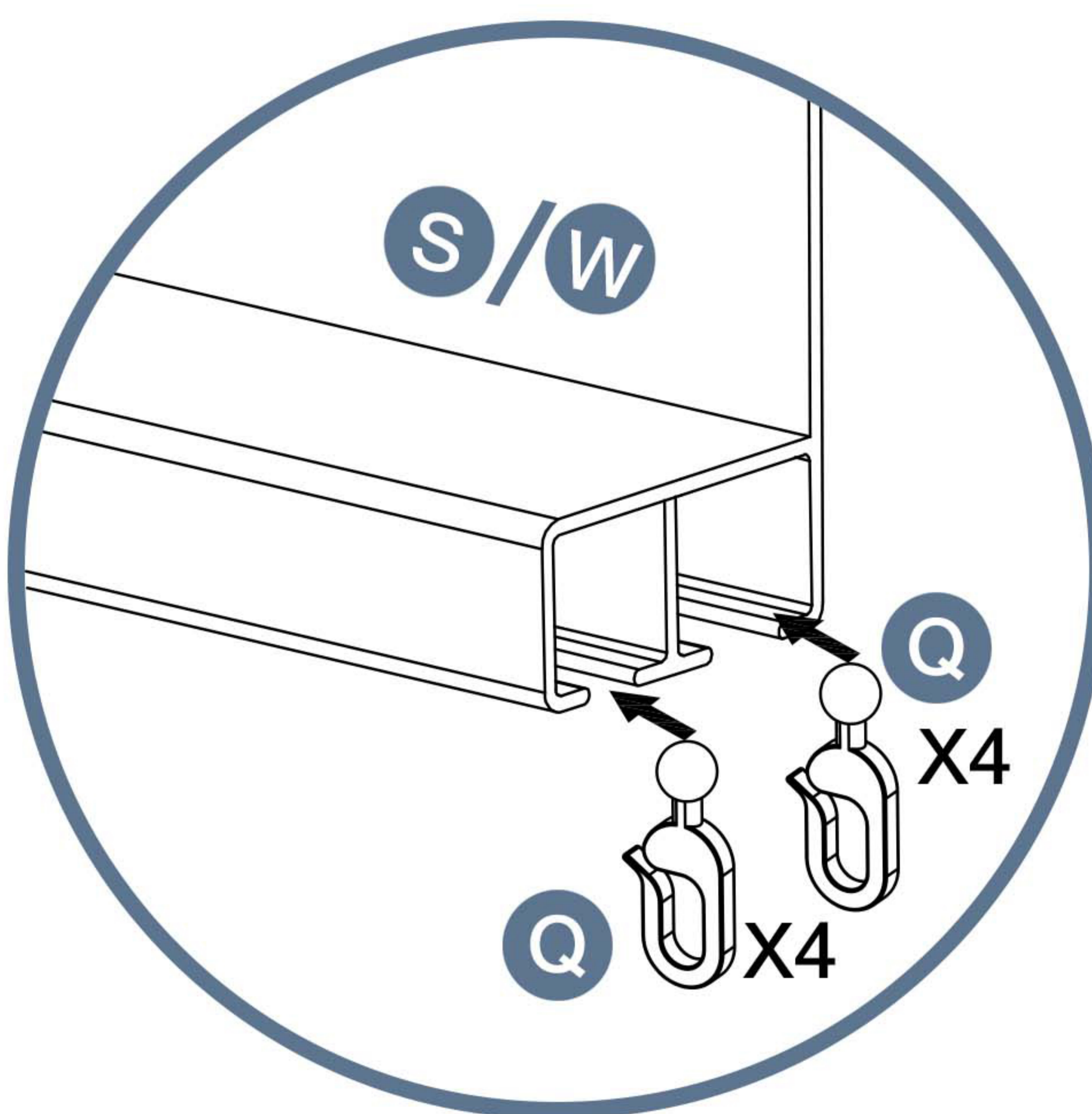
W 2pcs



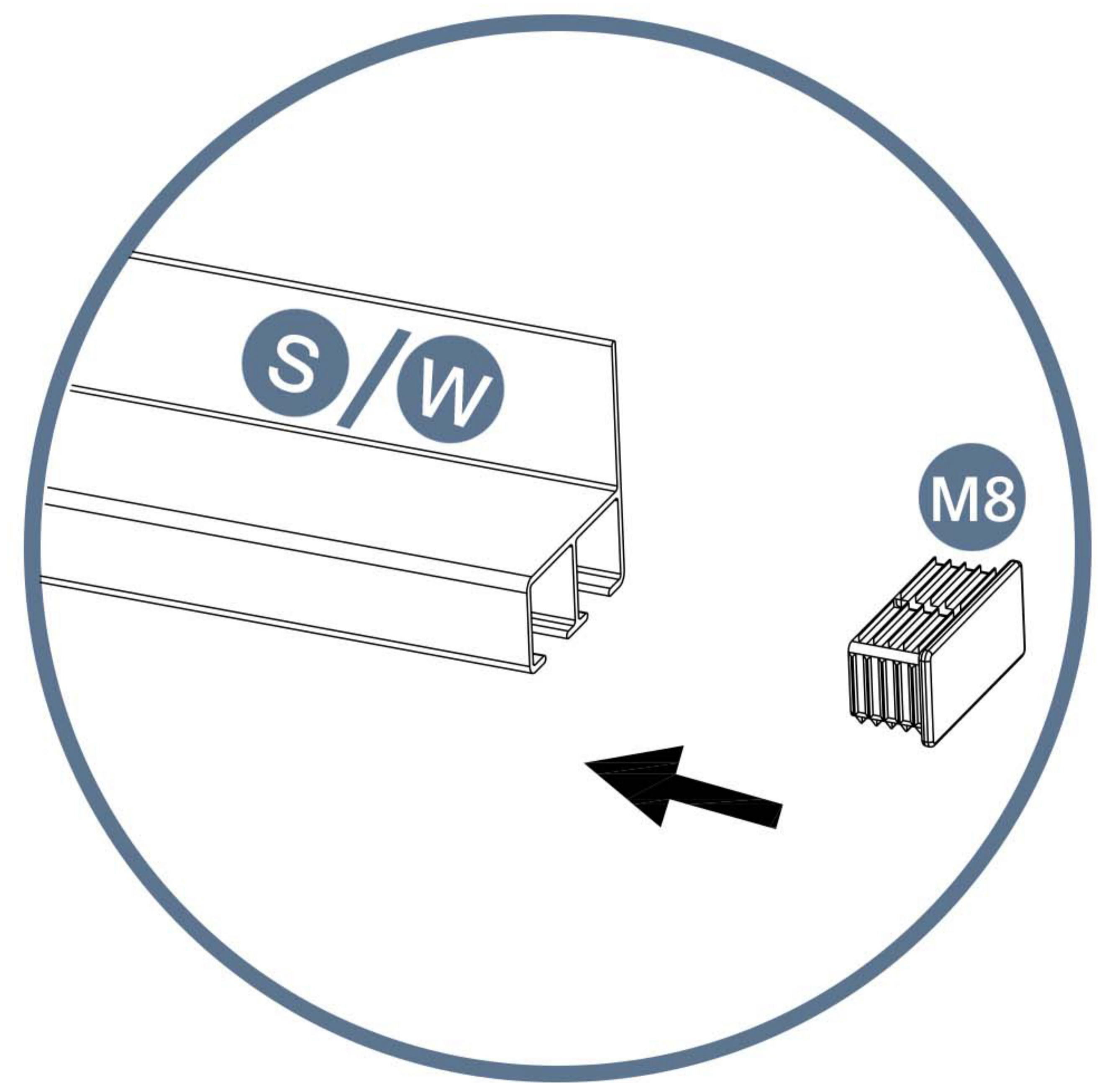
Q 48pcs



1



2



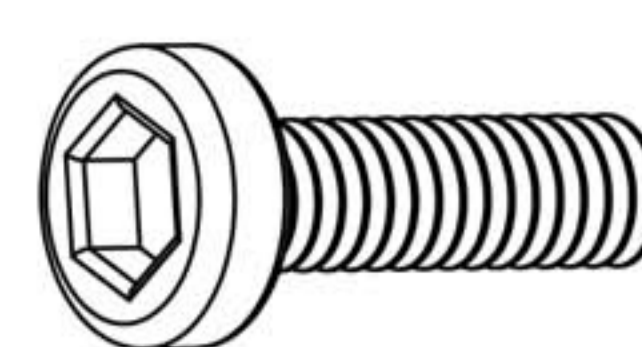
3

Please take care of the screws and contact the after-sales service if there is any problem with the installation or parts.

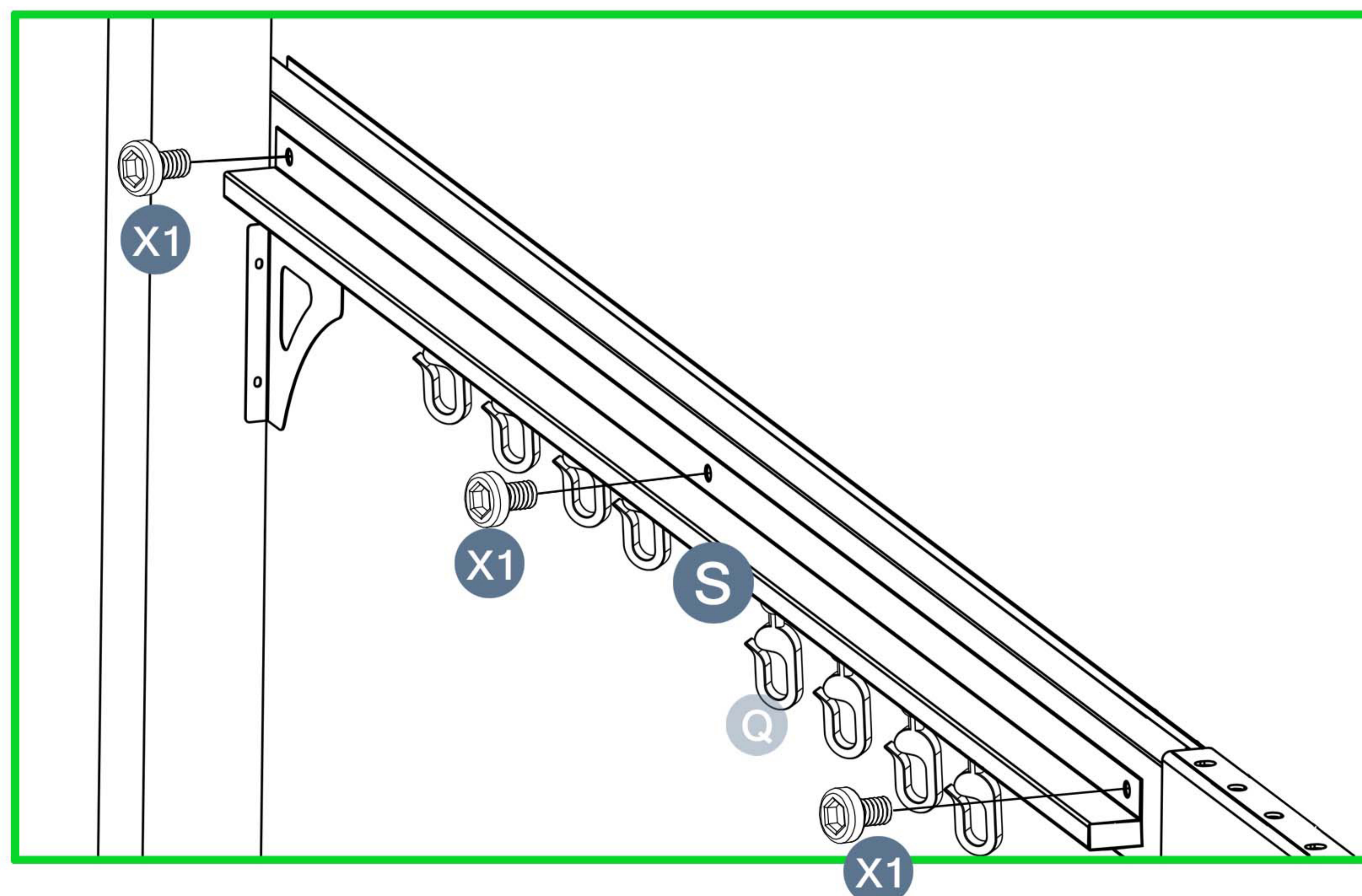
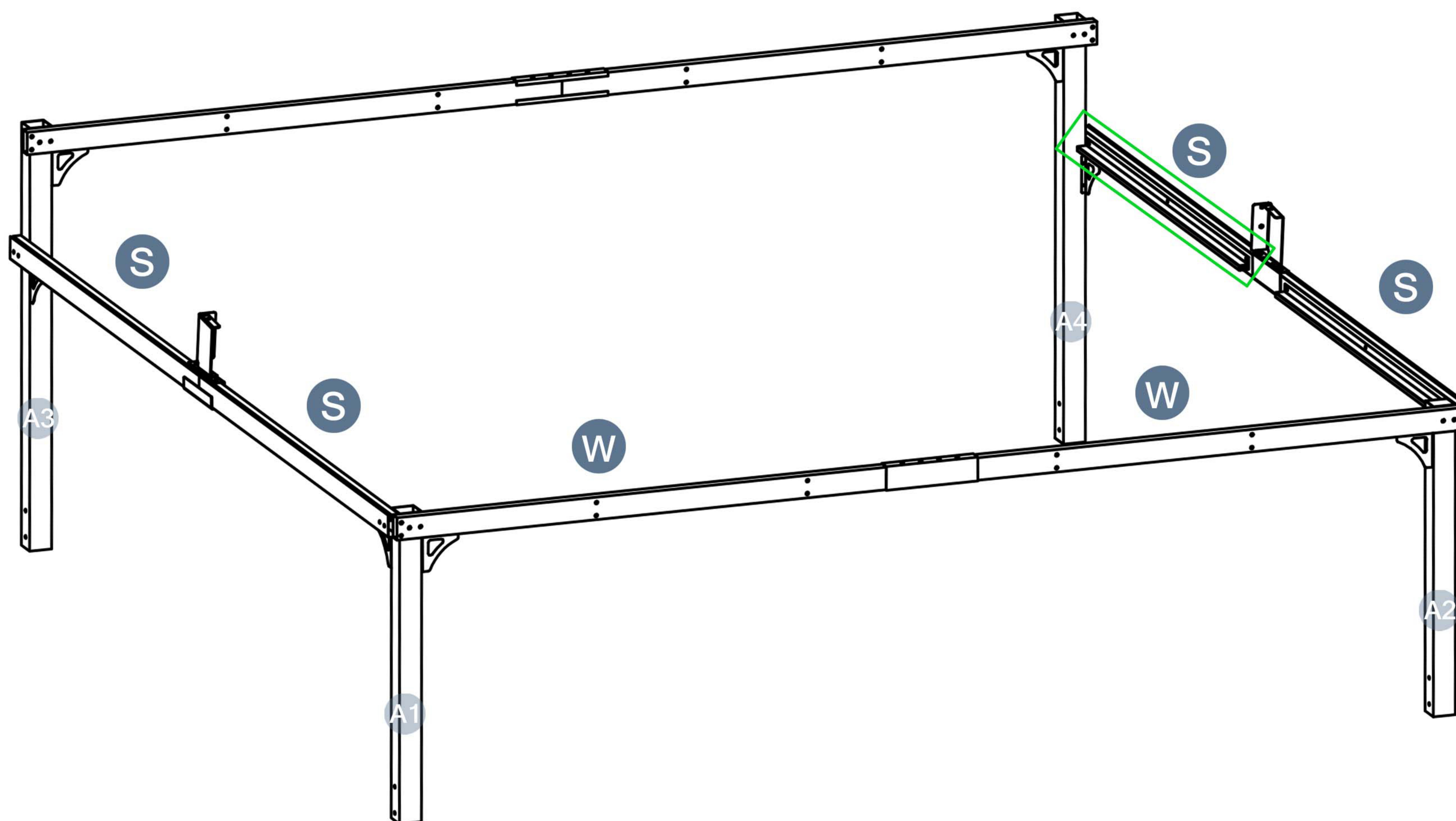
➔ E-mail: [cs.helper01@gmail.com](mailto:cs.helper01@gmail.com)

# STEP 7


Parts required



X1 18pcs



The reference is shown in the picture.

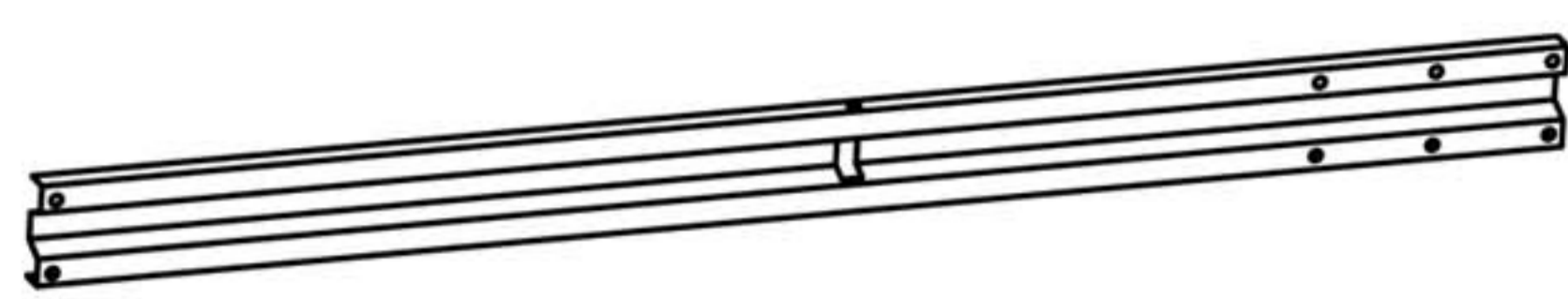
 The same installation method, install the **S** and **W** tubes on the bracket.

Please take care of the screws and contact the after-sales service if there is any problem with the installation or parts.

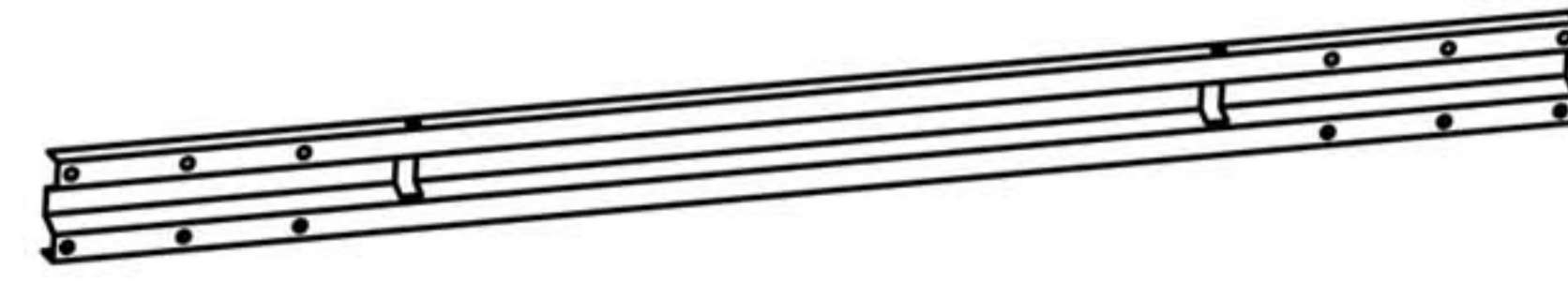
  E-mail: [cs.helper01@gmail.com](mailto:cs.helper01@gmail.com)

# STEP 8

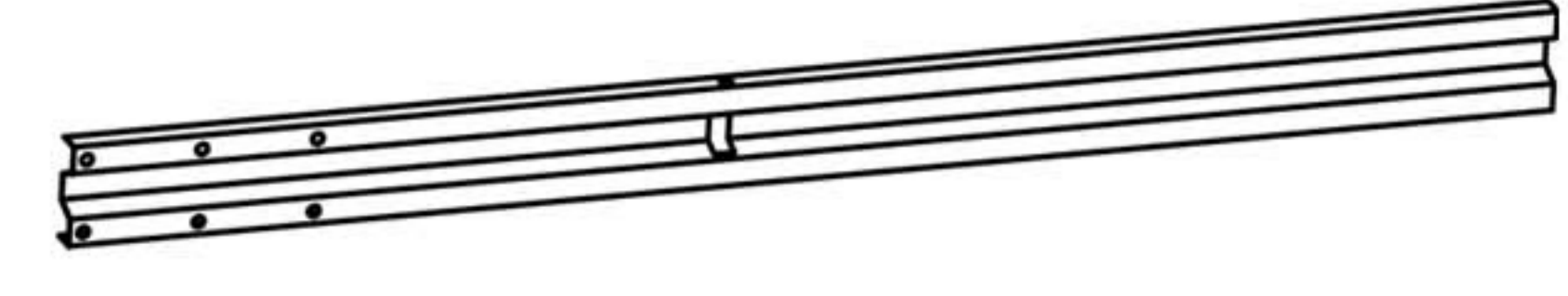
Parts required



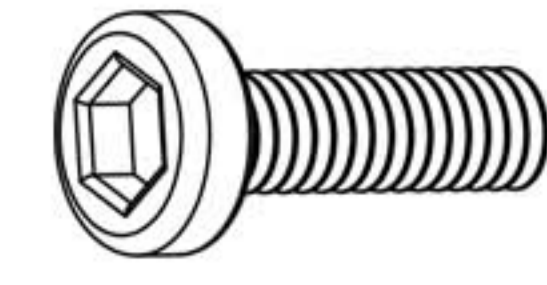
N1 1pcs



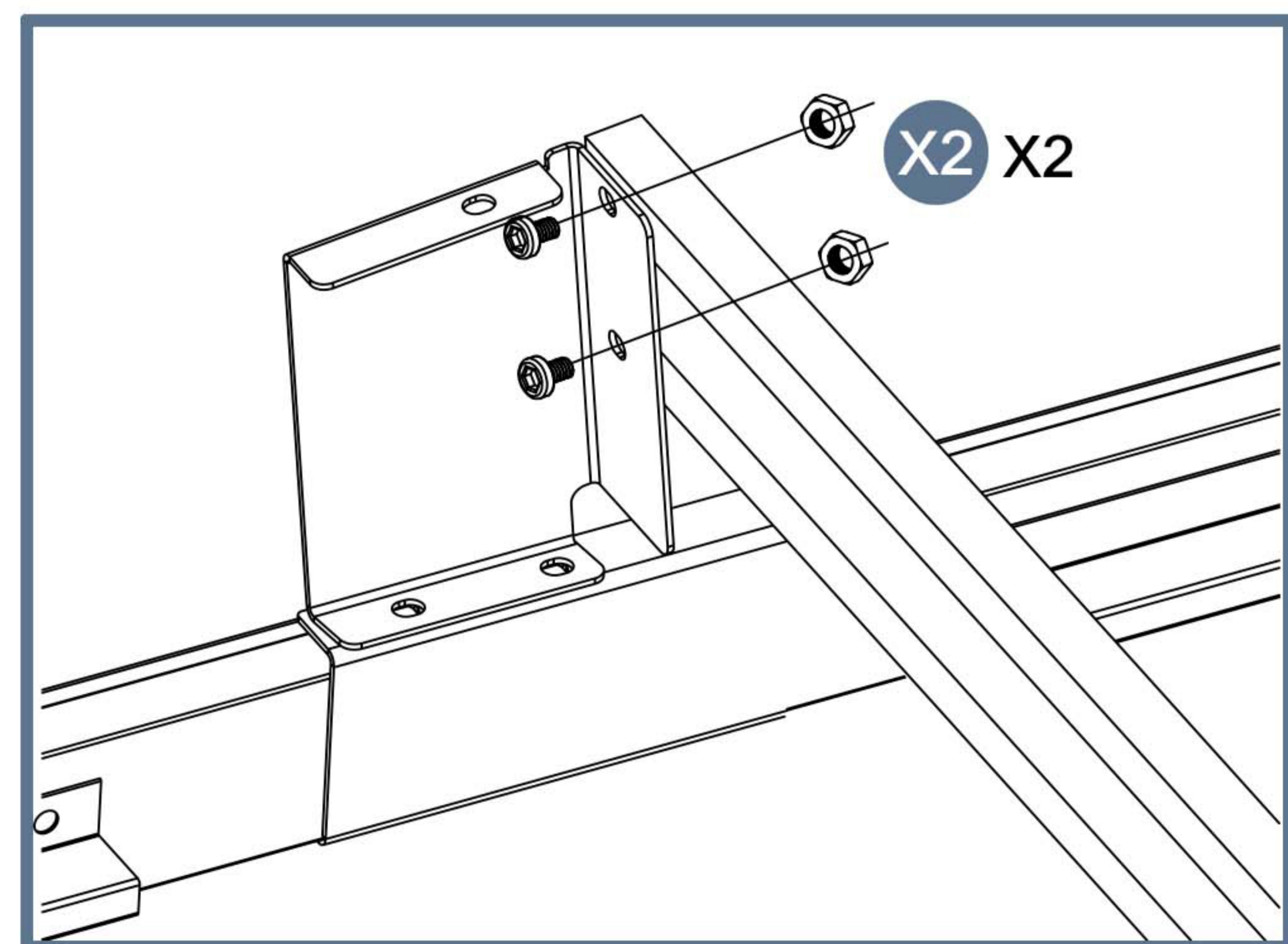
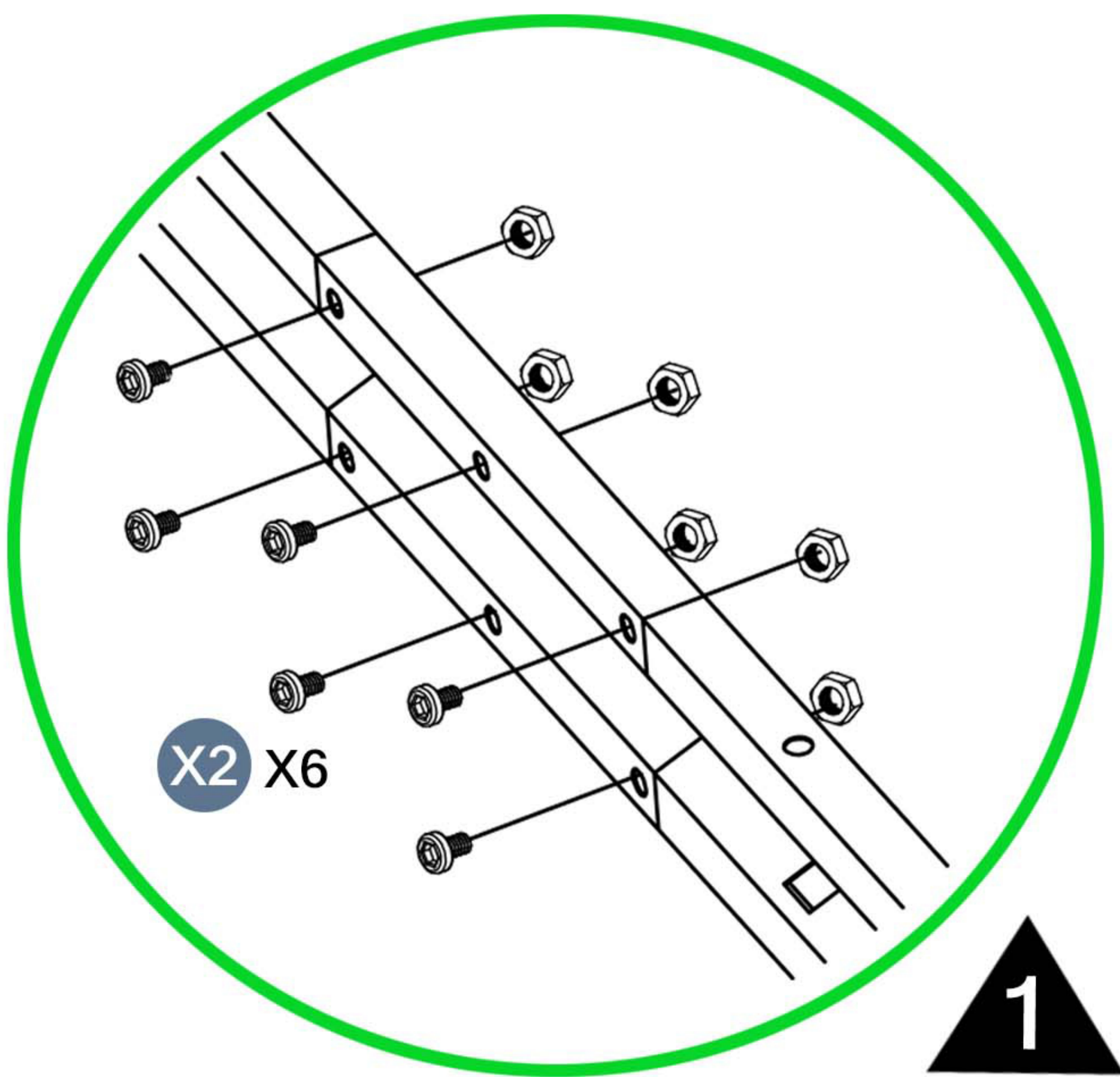
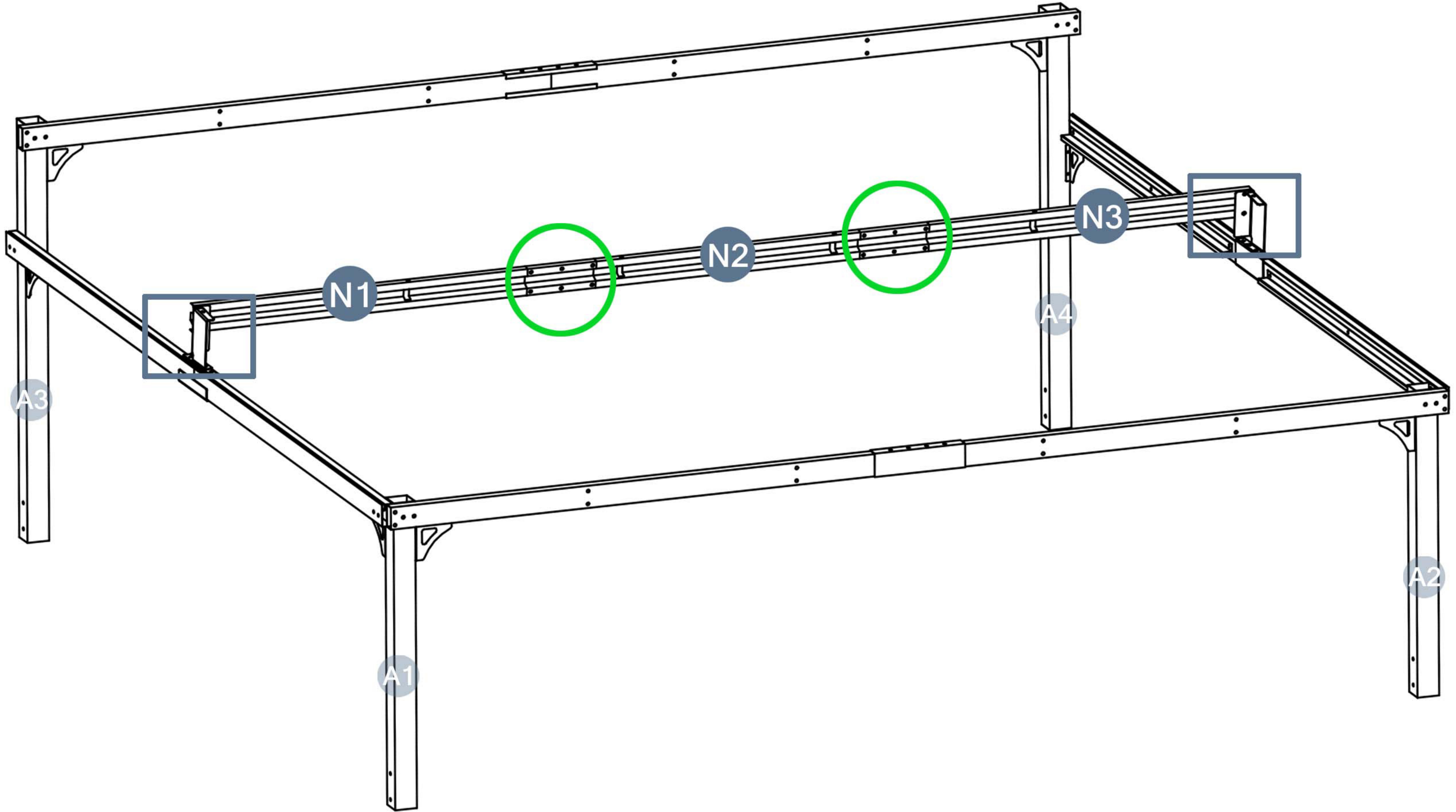
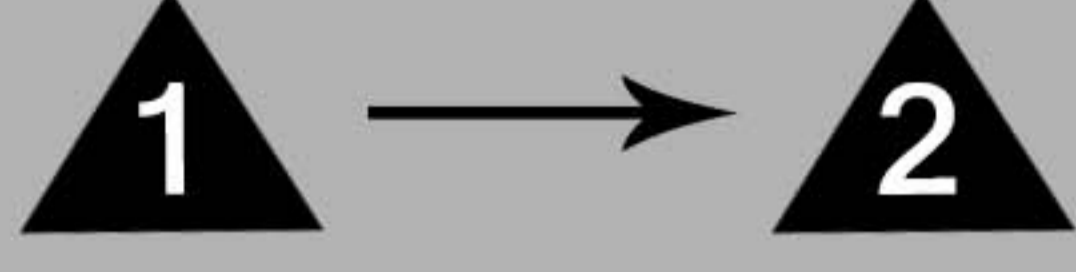
N2 1pcs



N3 1pcs

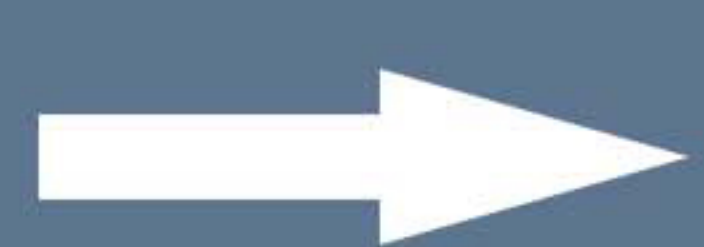


X2 16pcs



Assemble N1/N2/N3 first.

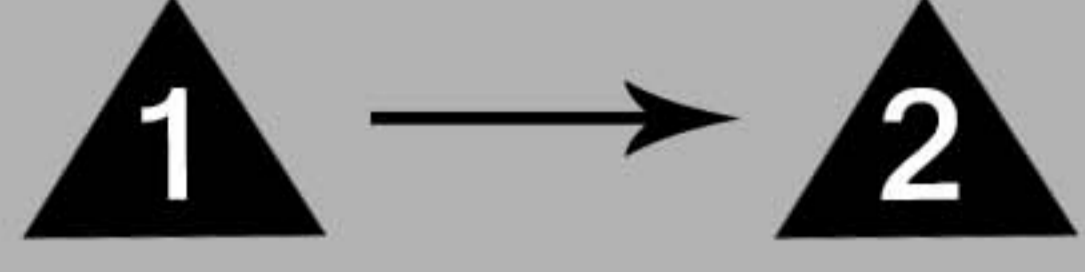
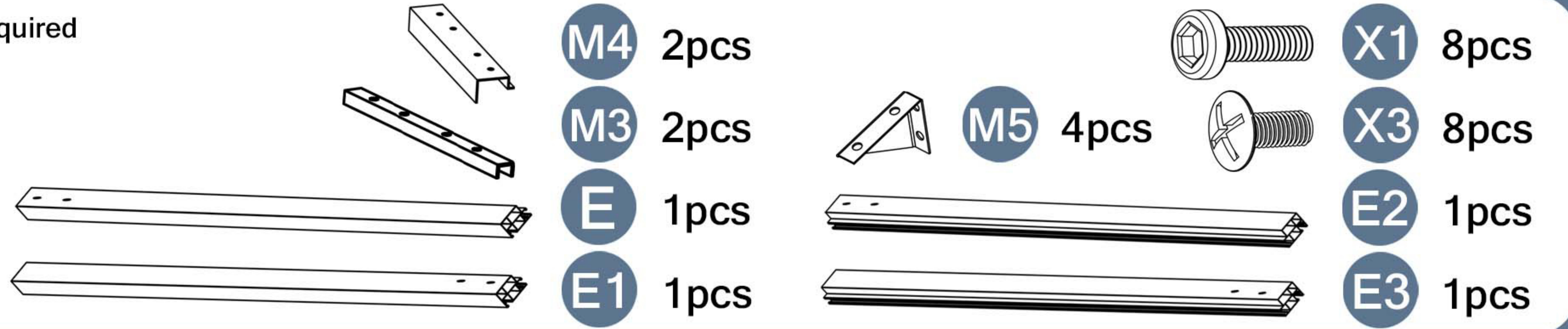
Please take care of the screws and contact the after-sales service if there is any problem with the installation or parts.



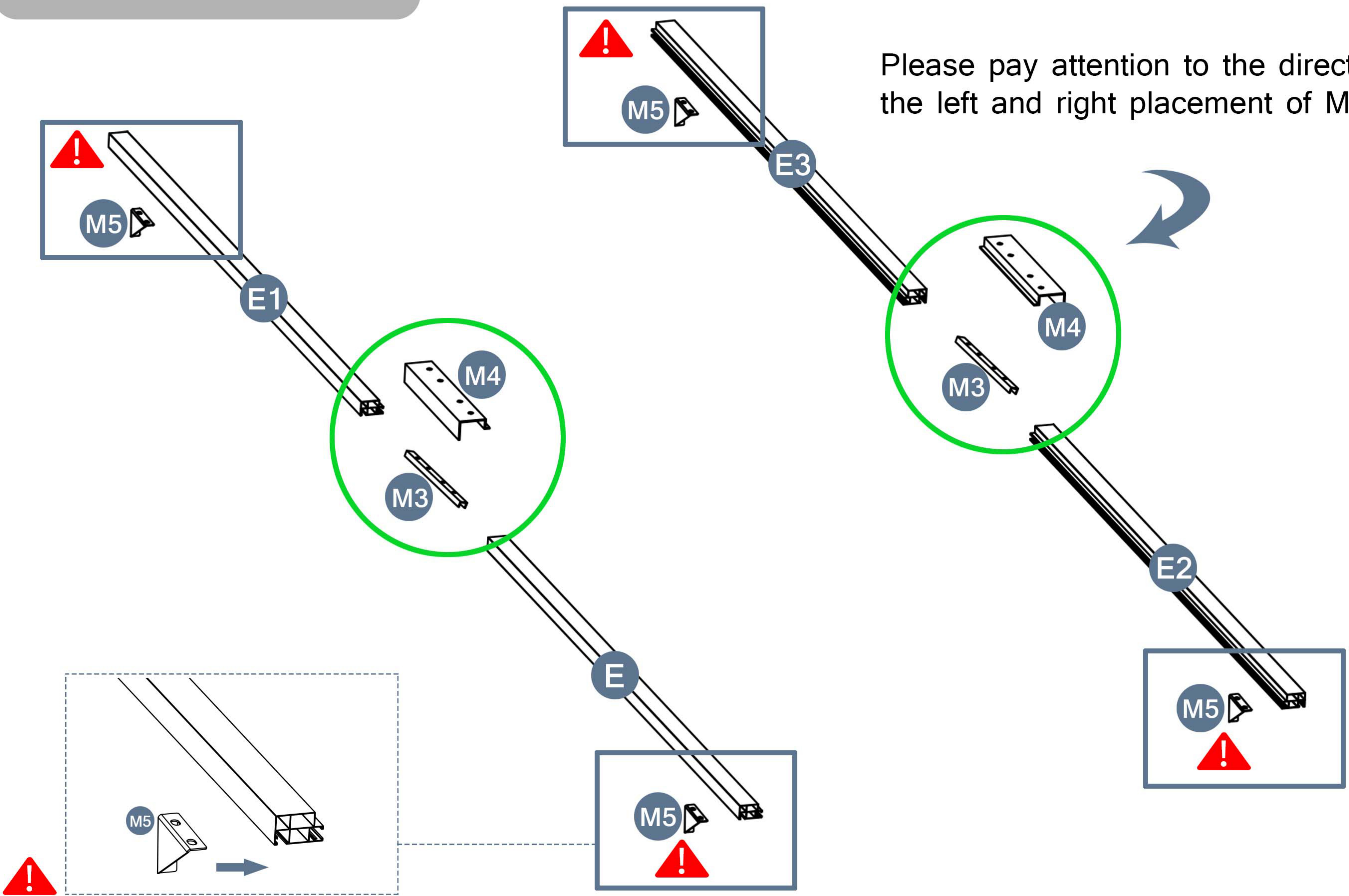
E-mail: [cs.helper01@gmail.com](mailto:cs.helper01@gmail.com)

# STEP 9

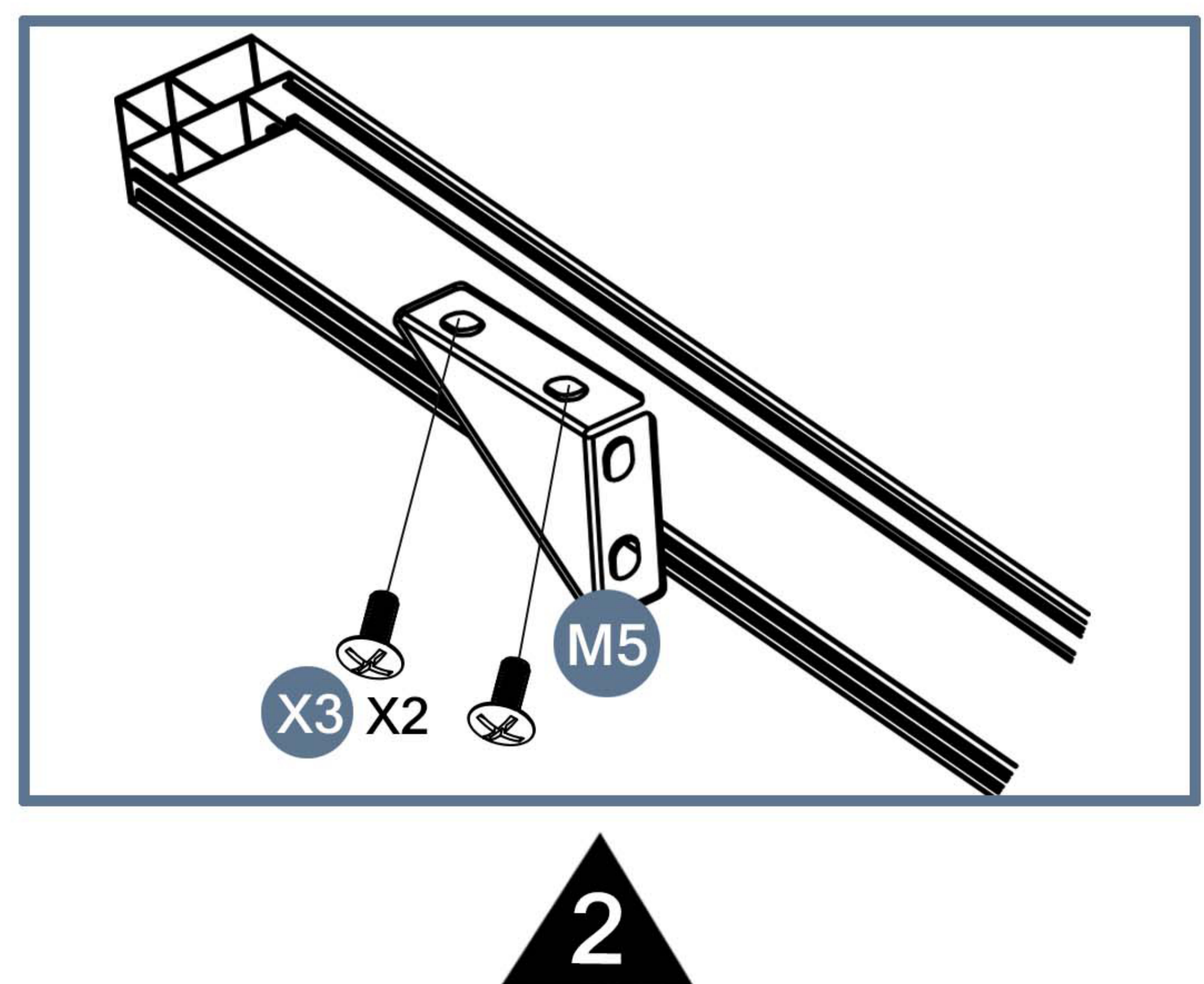
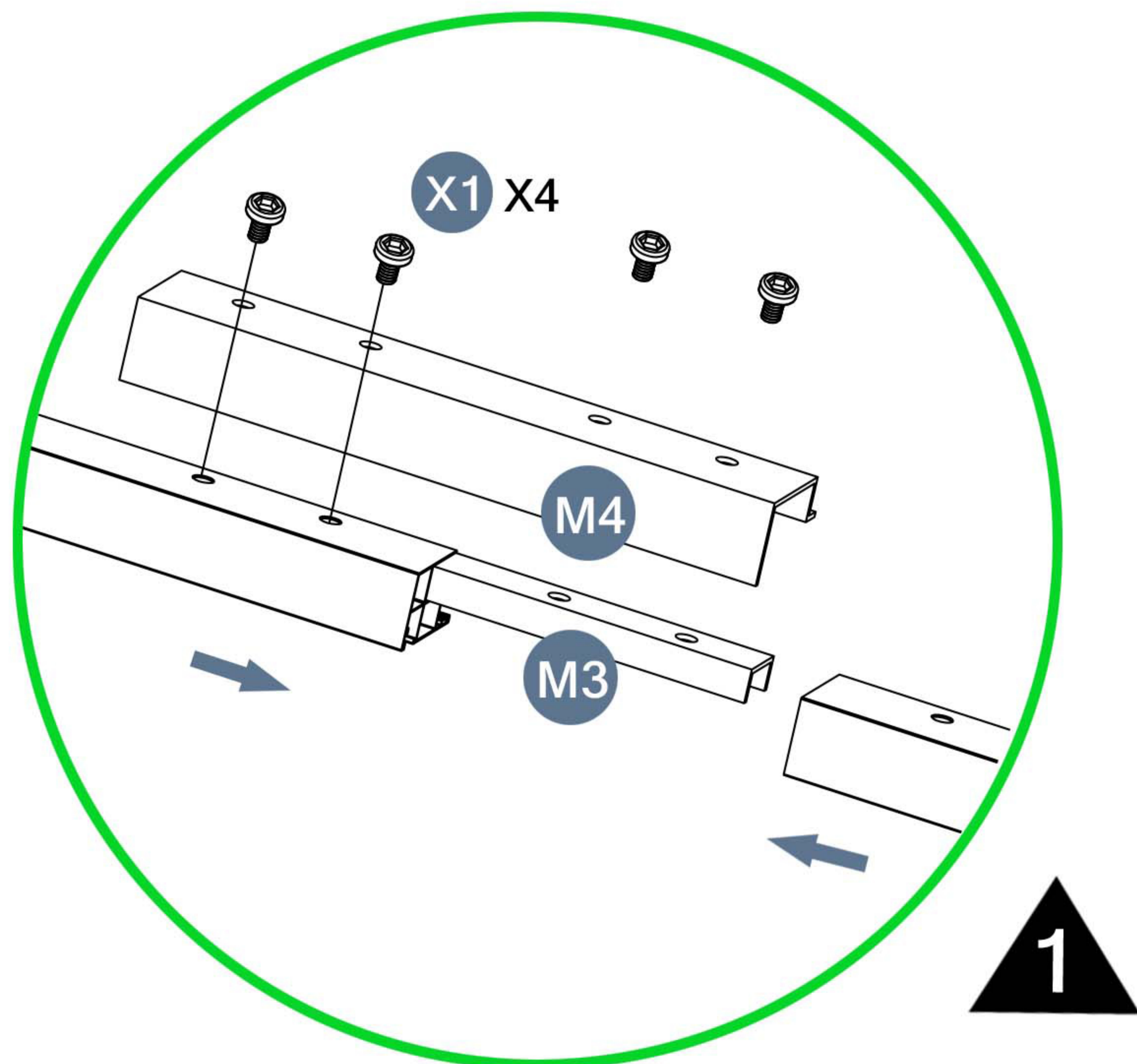
Parts required



Please pay attention to the direction of the left and right placement of M4.



M5 Unify one direction, to the right

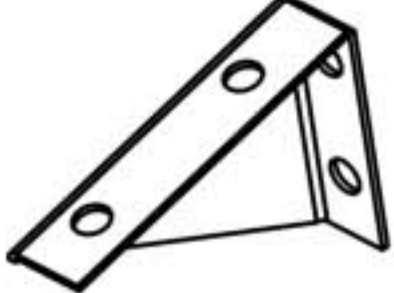
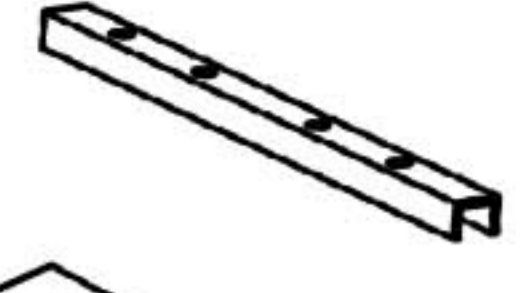
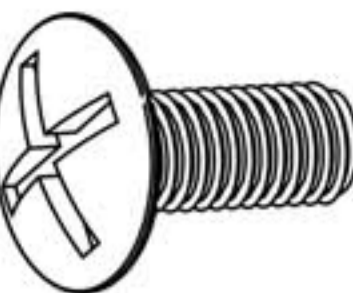

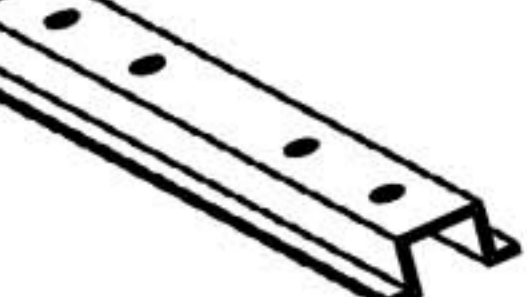

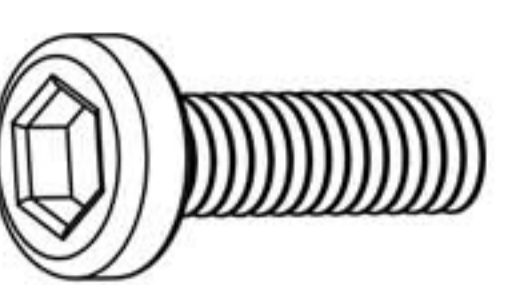


Please take care of the screws and contact the after-sales service if there is any problem with the installation or parts.

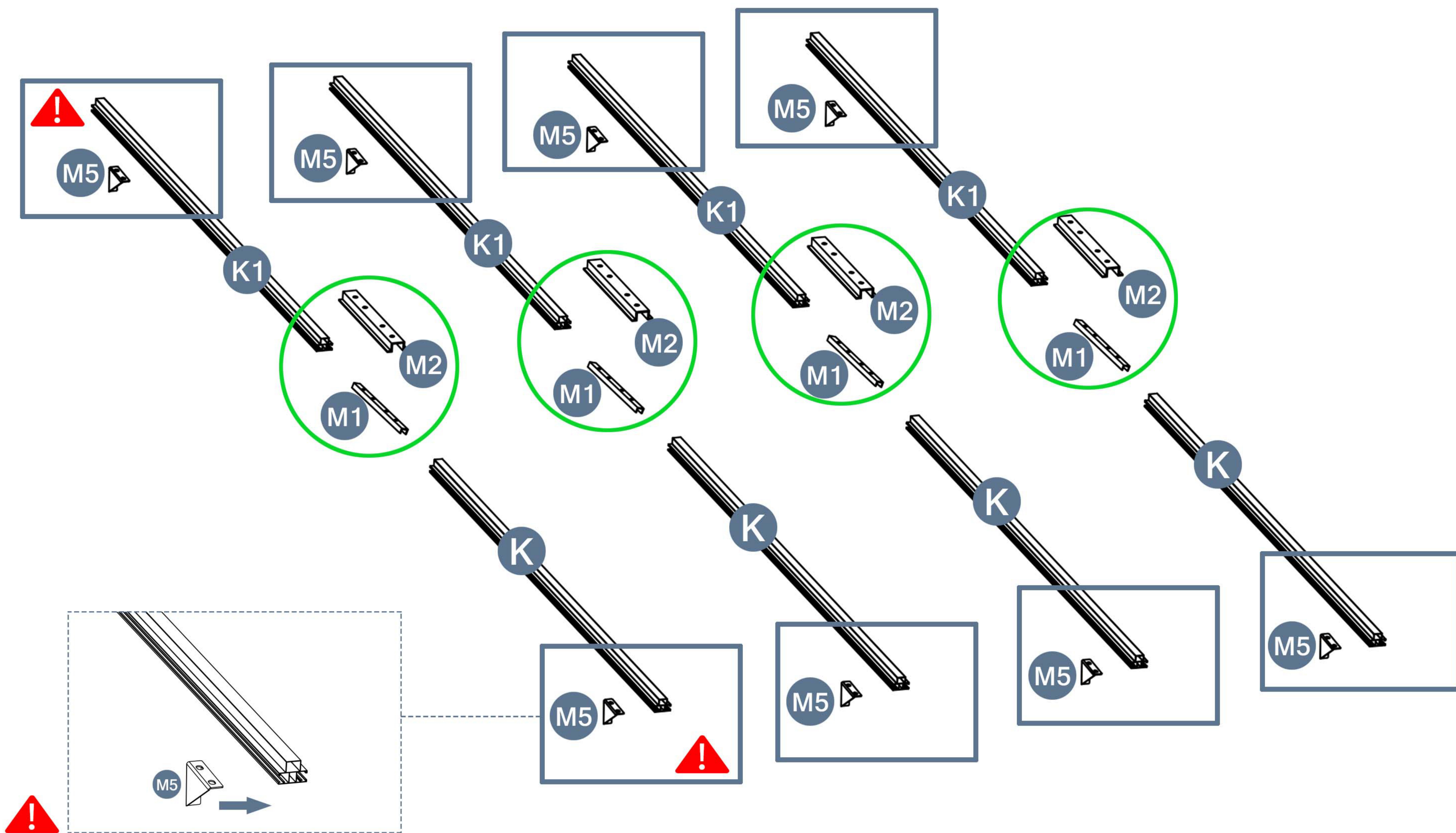
➔ ✉ E-mail: [cs.helper01@gmail.com](mailto:cs.helper01@gmail.com)

# STEP 10

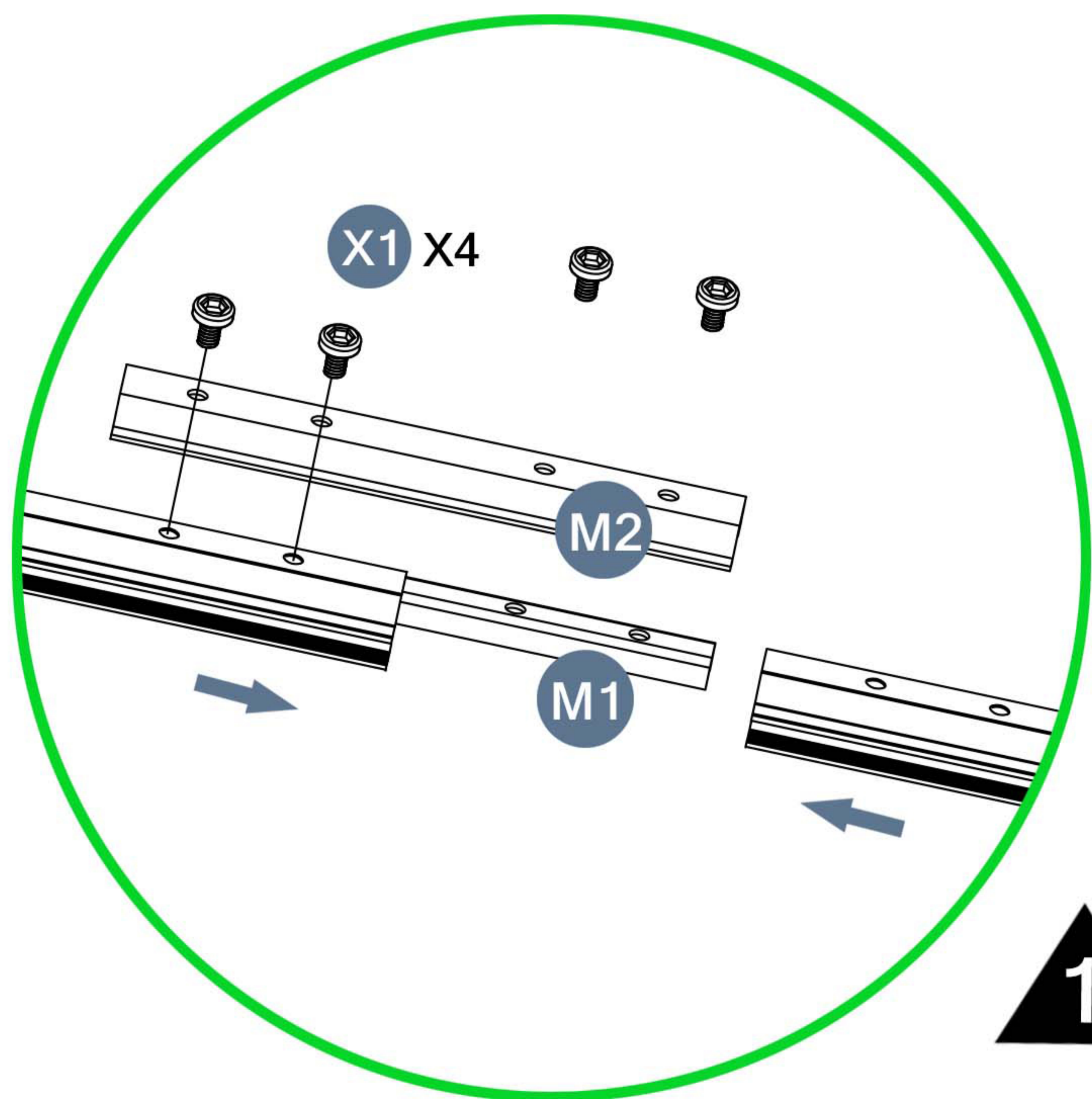
Parts required

-  M5 8pcs
-  M1 4pcs
-  X3 16pcs
-  K 4pcs
-  M2 4pcs
-  K1 4pcs
-  X1 16pcs

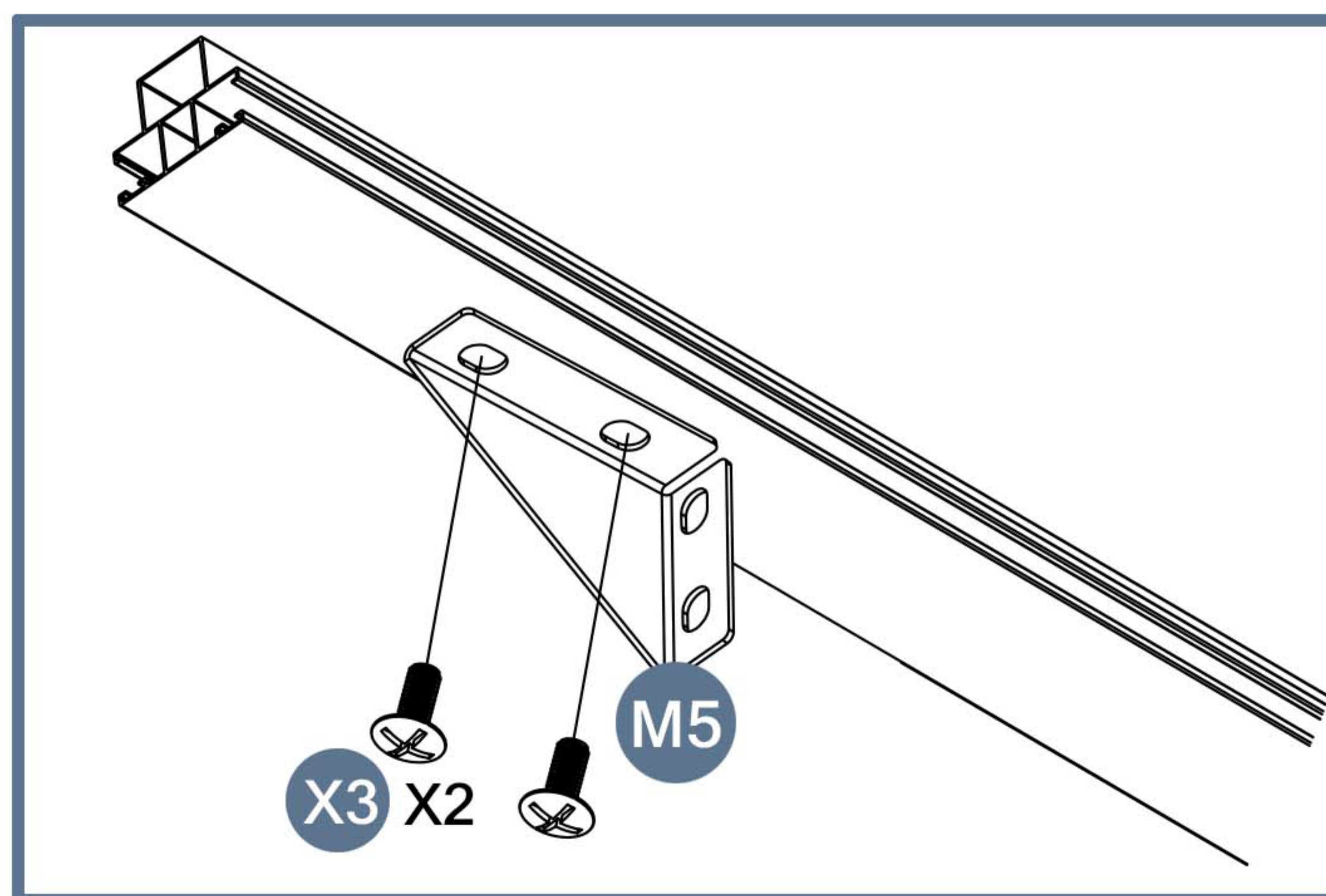
1 → 2



M5 Unify one direction, to the right

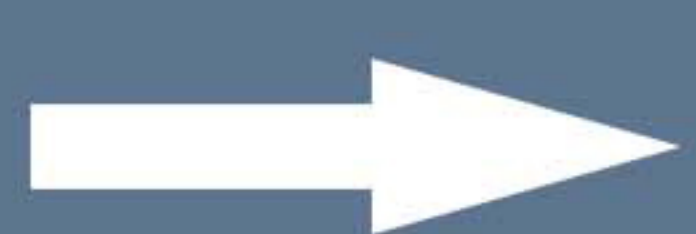


1



2

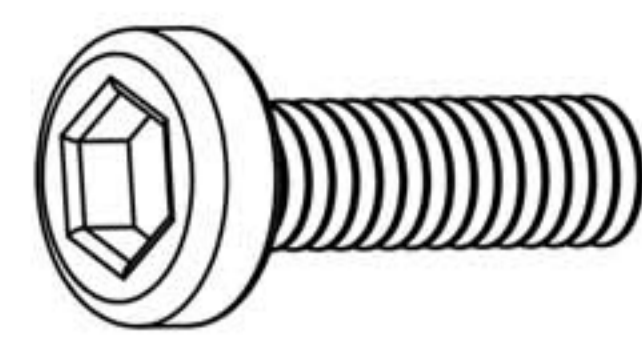
Please take care of the screws and contact the after-sales service if there is any problem with the installation or parts.



E-mail: [cs.helper01@gmail.com](mailto:cs.helper01@gmail.com)

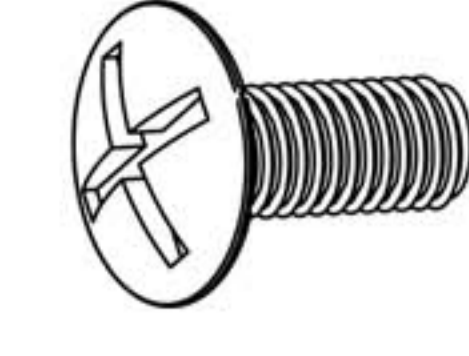
# STEP 11

Parts required



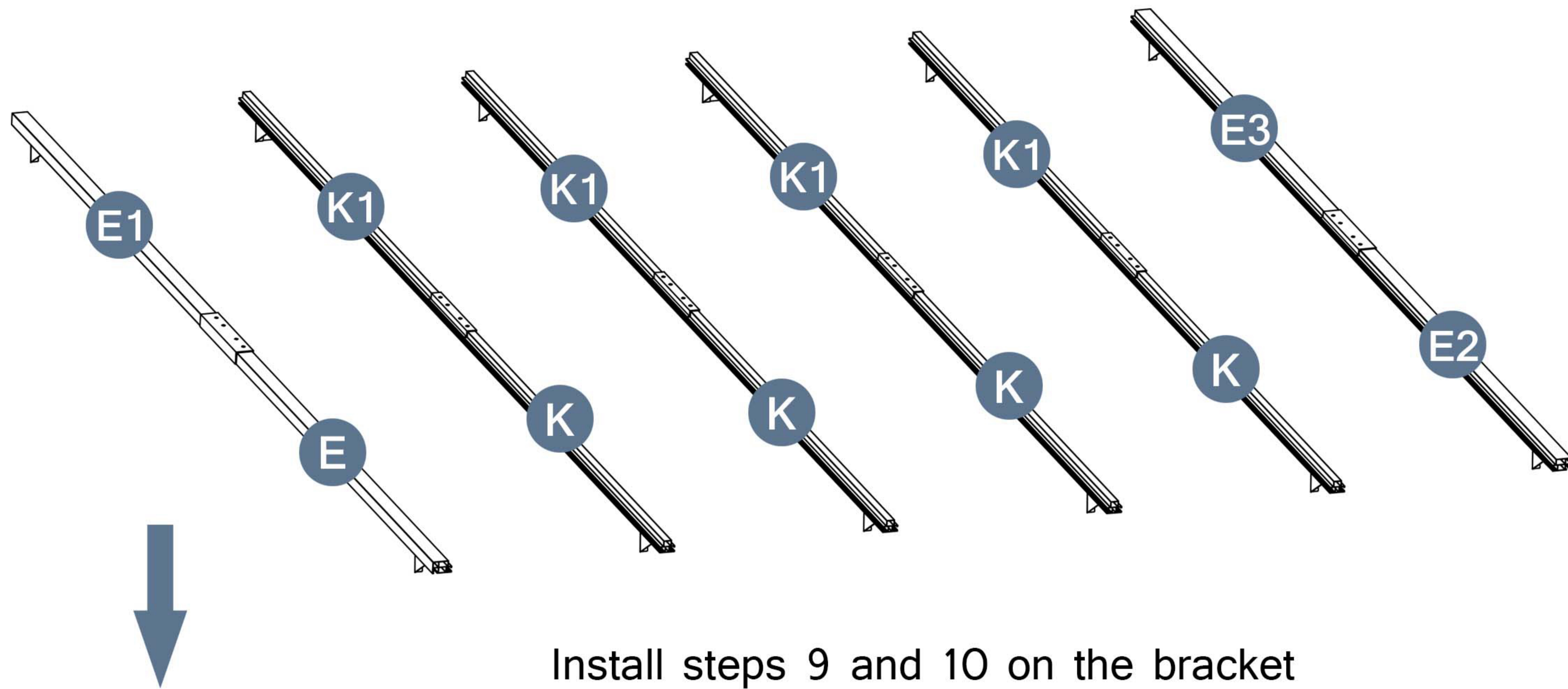
X1

2pcs

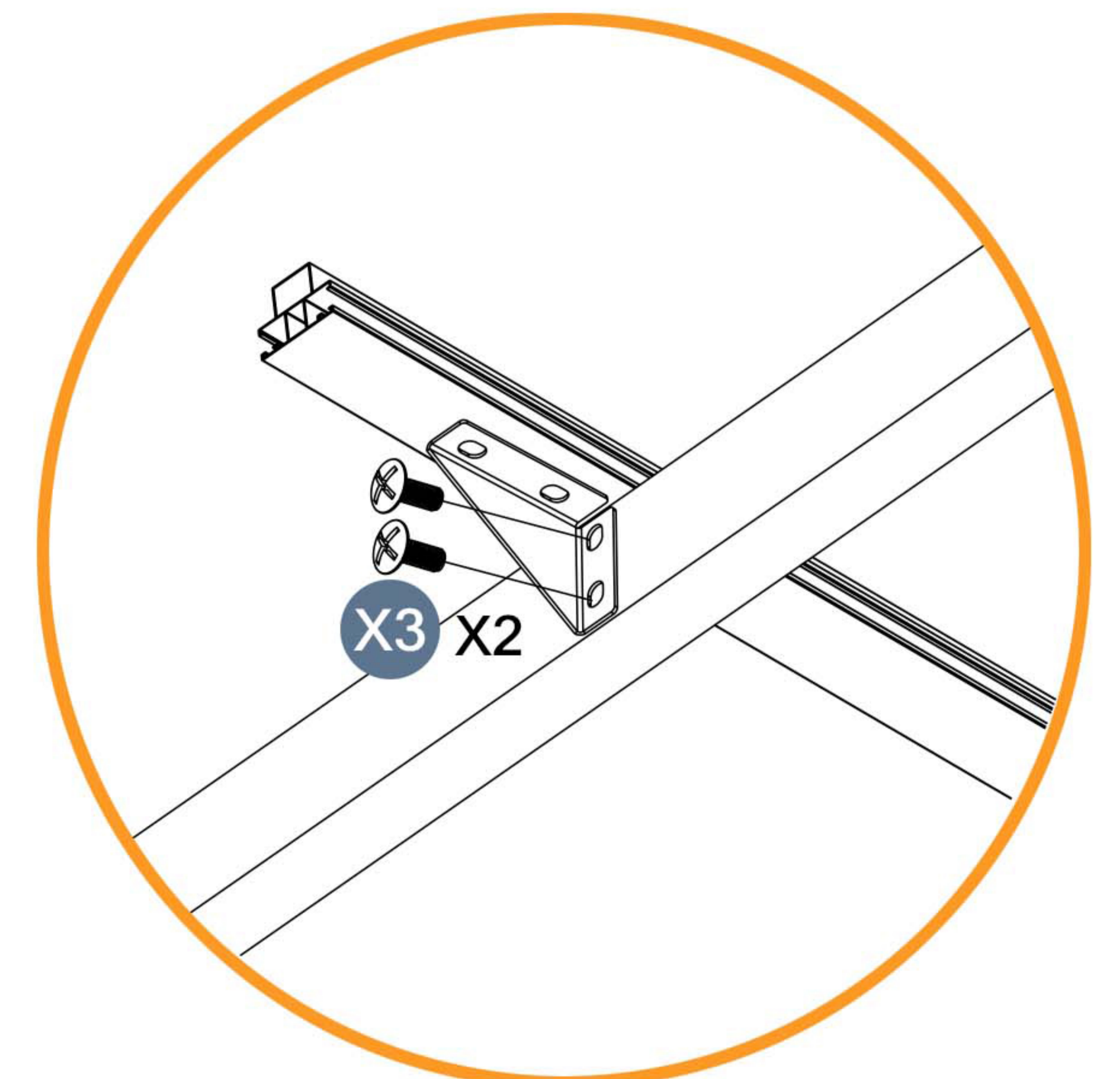
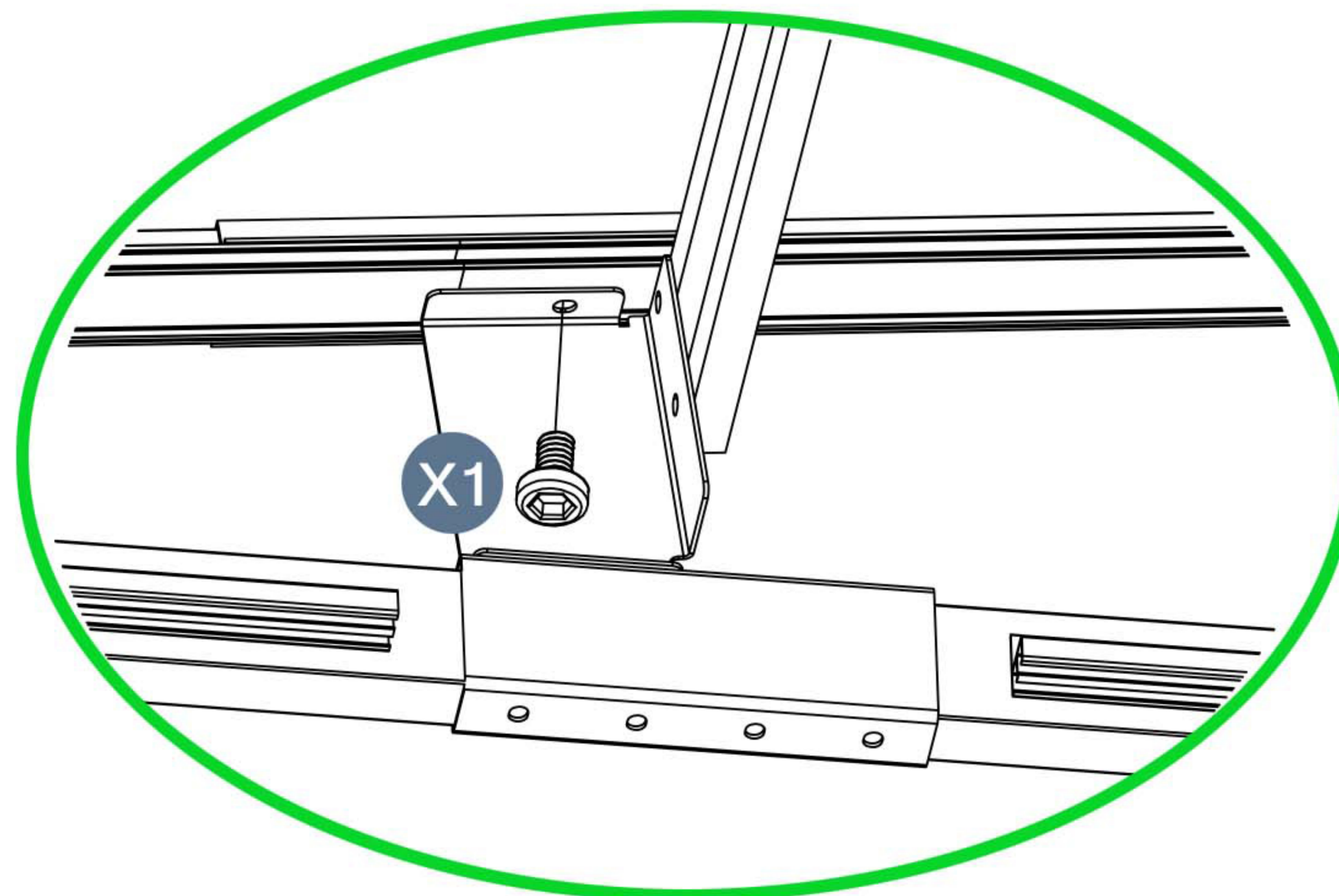
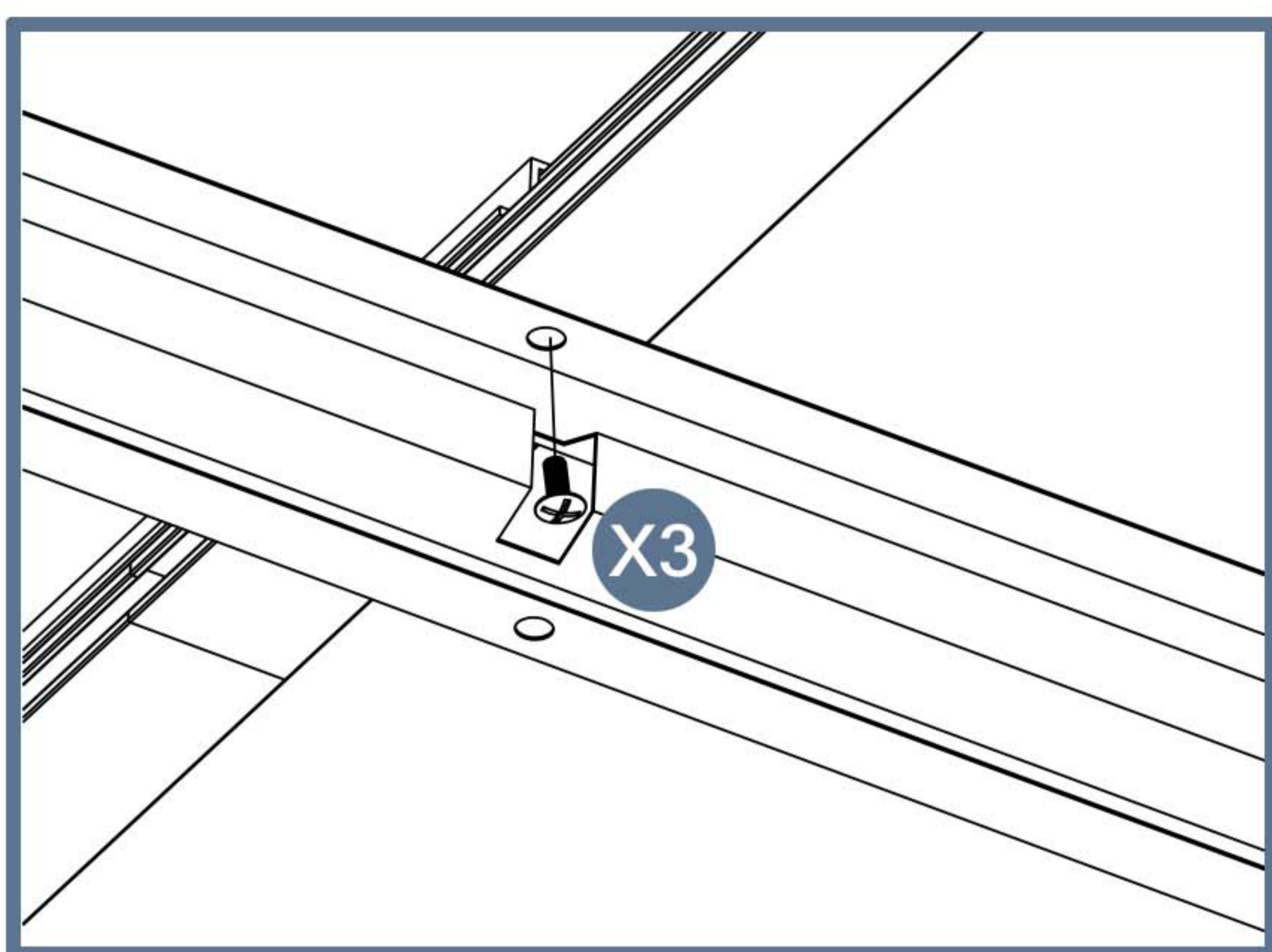
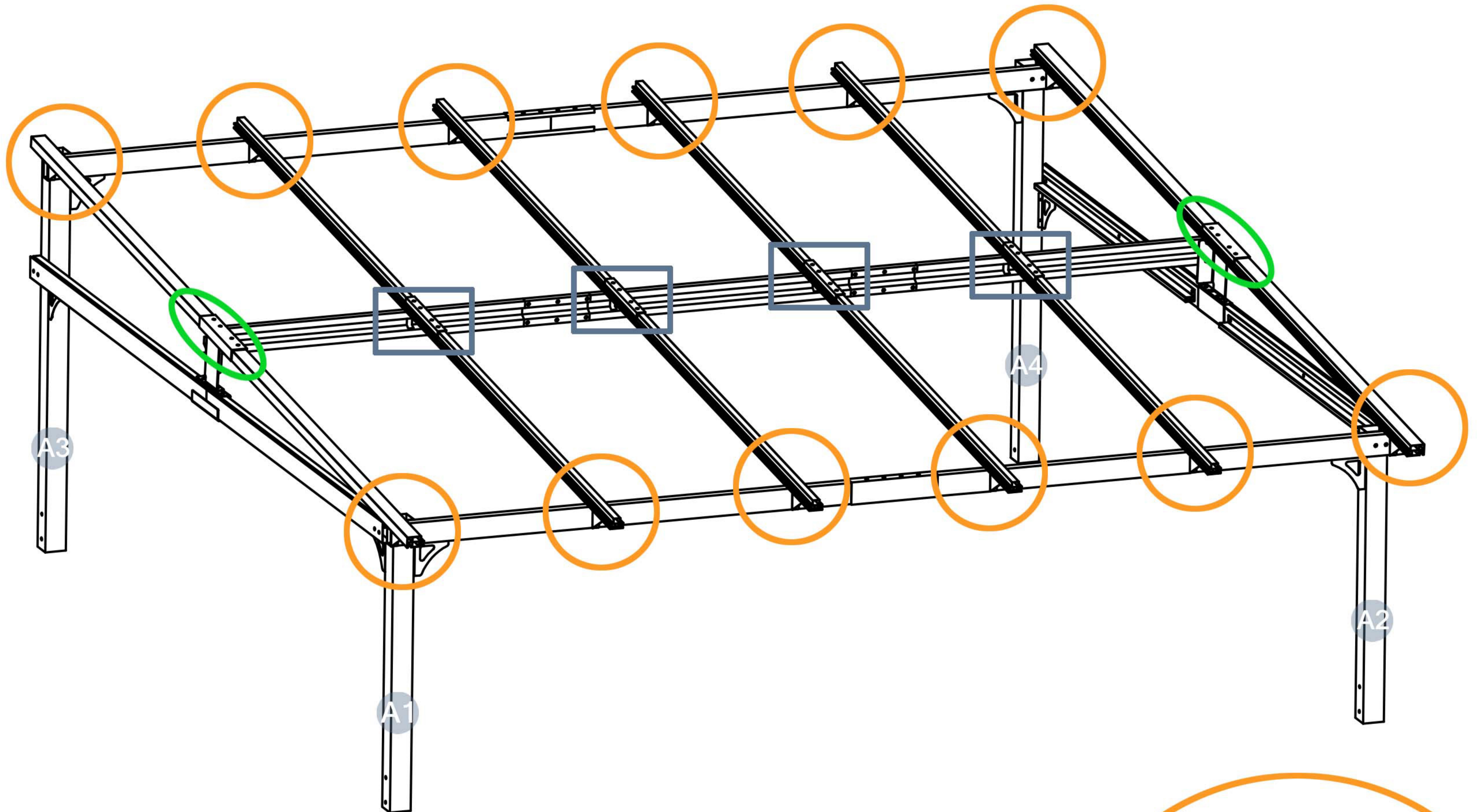


X3

28pcs



Install steps 9 and 10 on the bracket



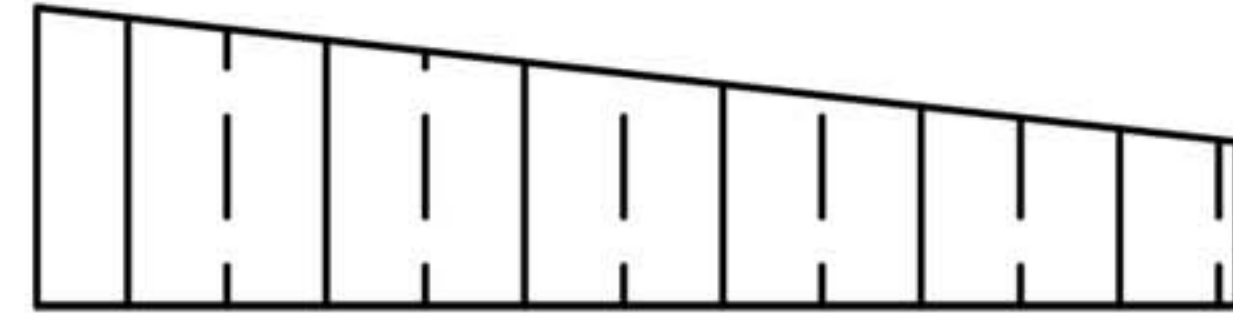
!!! Pay attention to the difference of screws

Please take care of the screws and contact the after-sales service if there is any problem with the installation or parts.

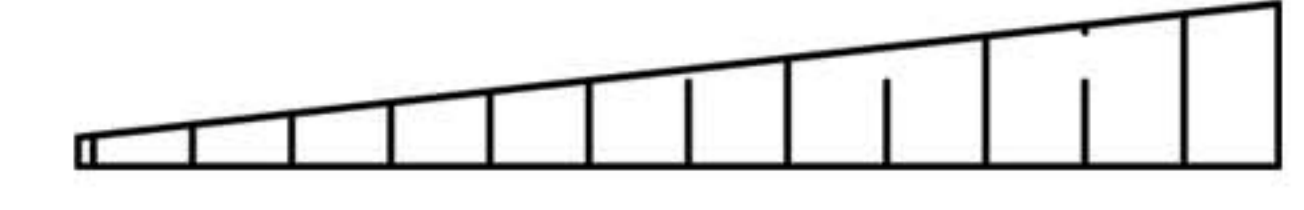
➔ ✉ E-mail: [cs.helper01@gmail.com](mailto:cs.helper01@gmail.com)

# STEP 12

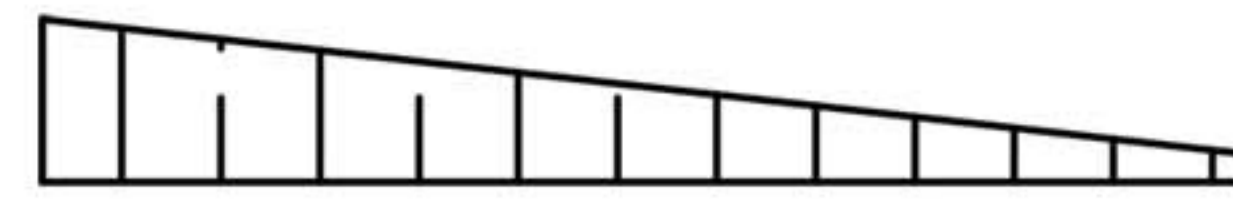
Parts required



Y1 1pcs



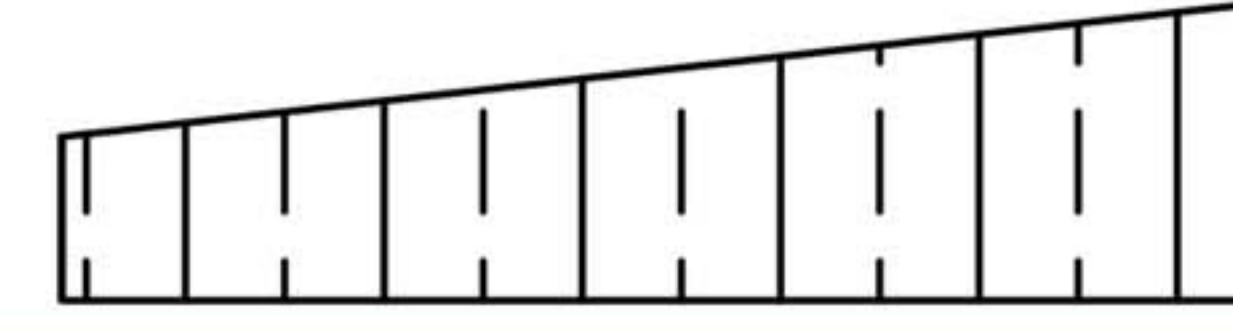
Y4 1pcs



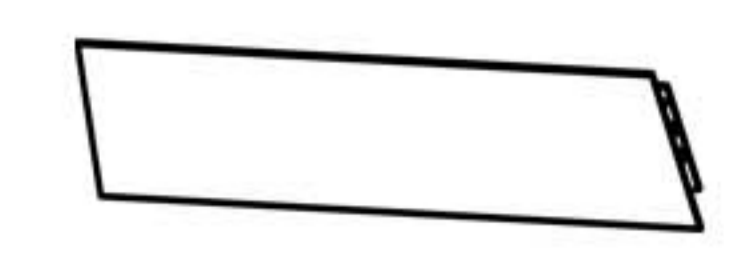
Y2 1pcs



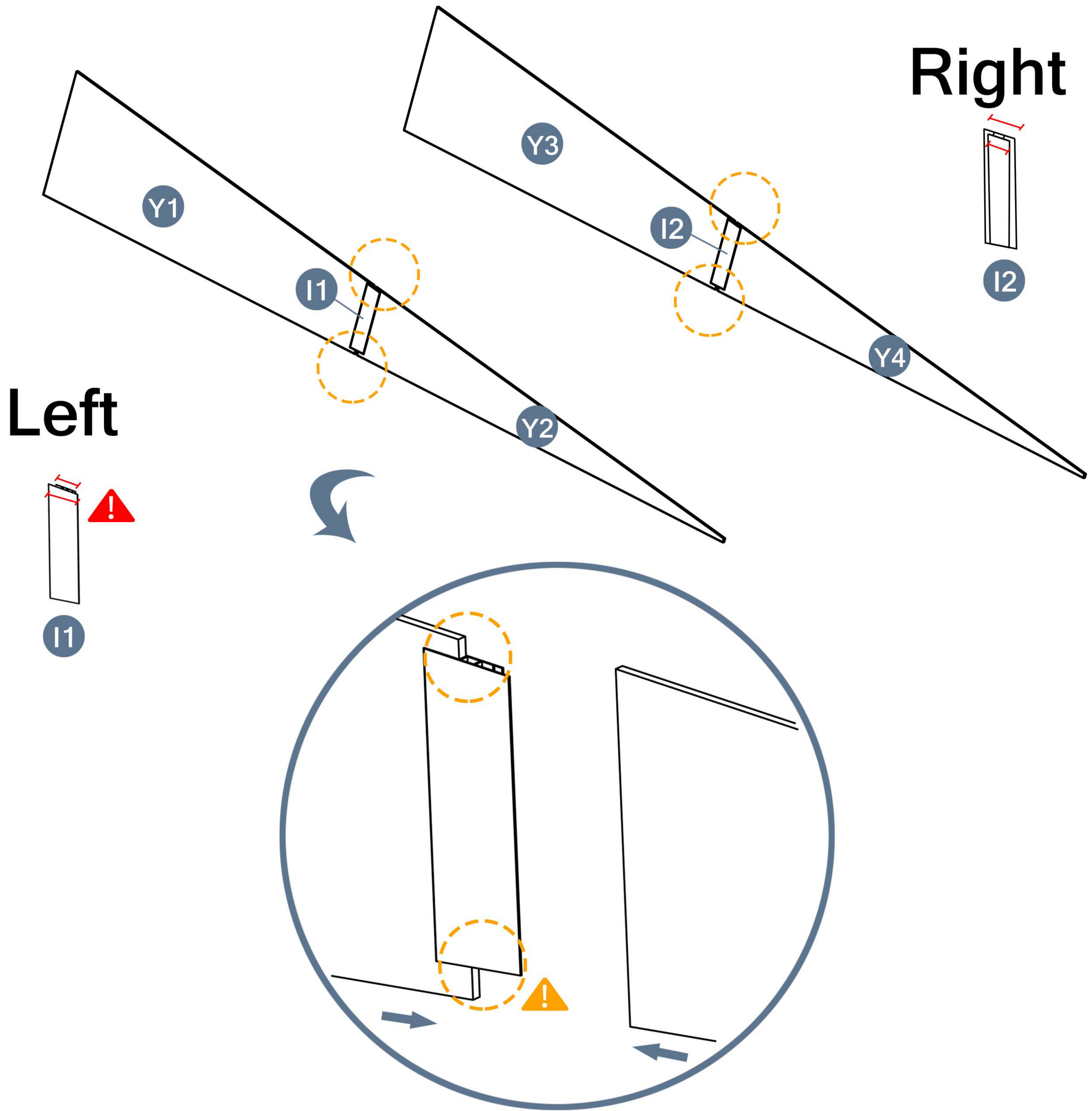
I1 1pcs





Y3 1pcs



I2 1pcs



-  Insert the pc board into the tube slot. Attention! The wide side of I1 and I2 is outward.
-  Note that the yellow circle should be left blank.

Please take care of the screws and contact the after-sales service if there is any problem with the installation or parts.



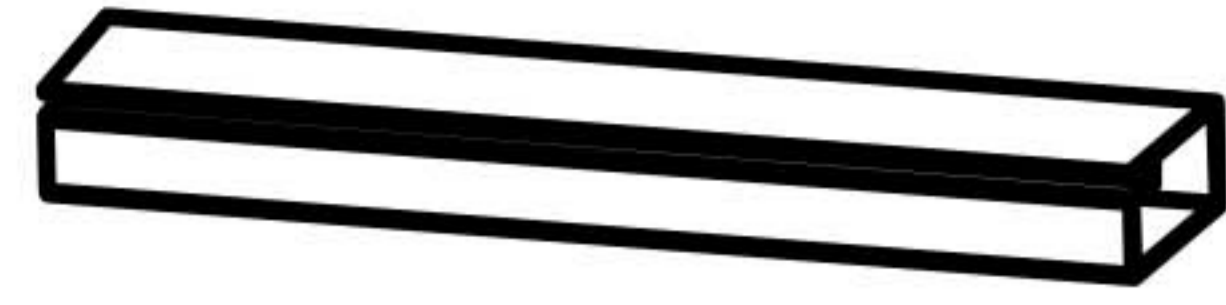
E-mail: [cs.helper01@gmail.com](mailto:cs.helper01@gmail.com)

# STEP 13

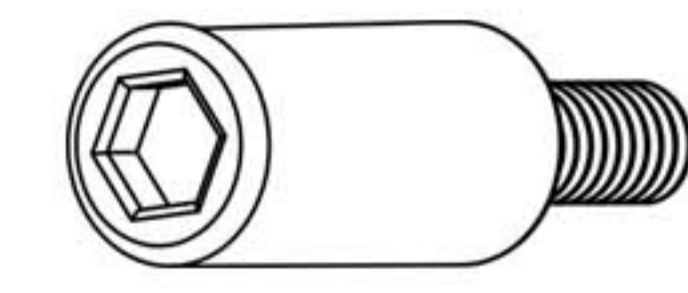
Parts required



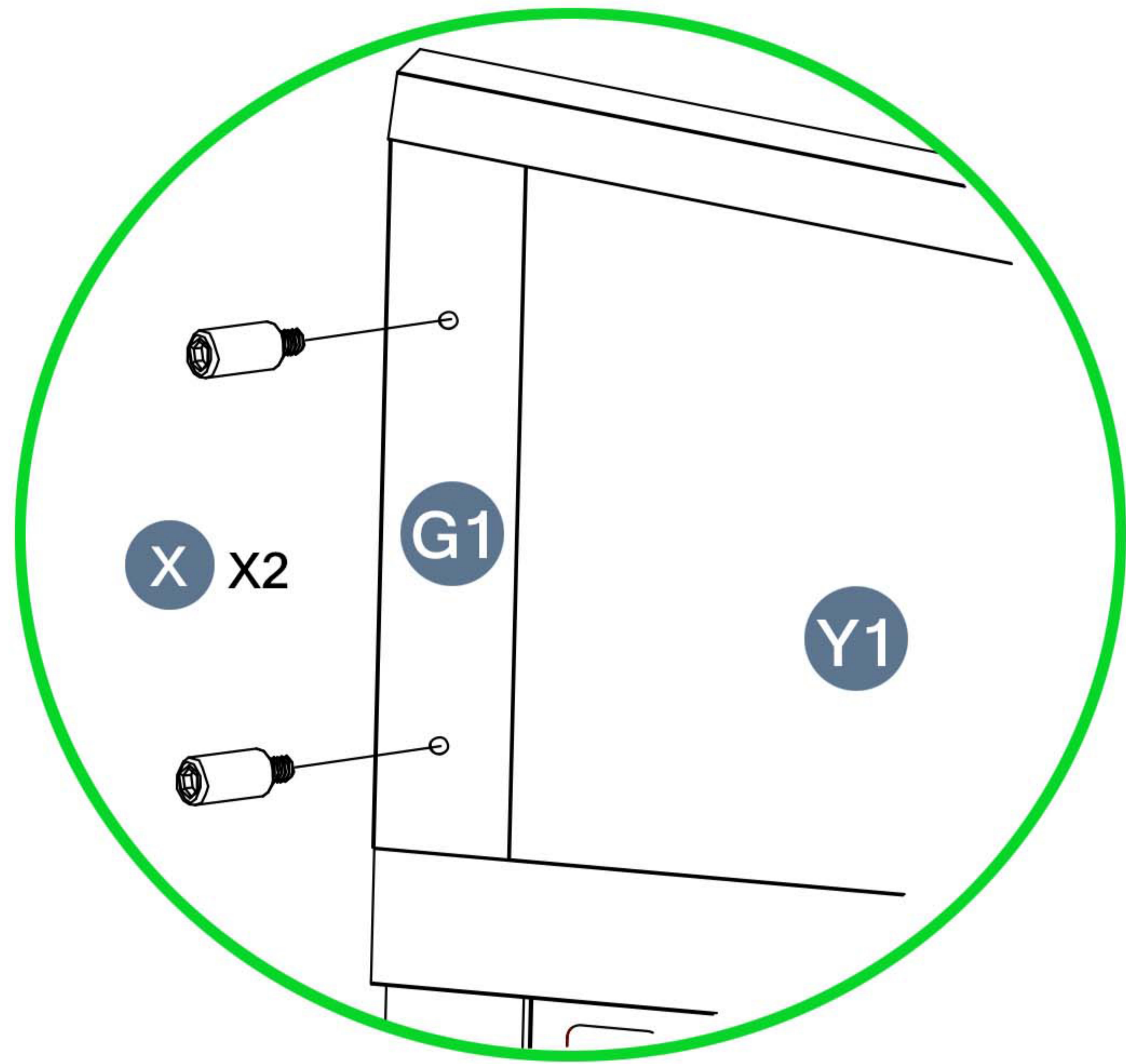
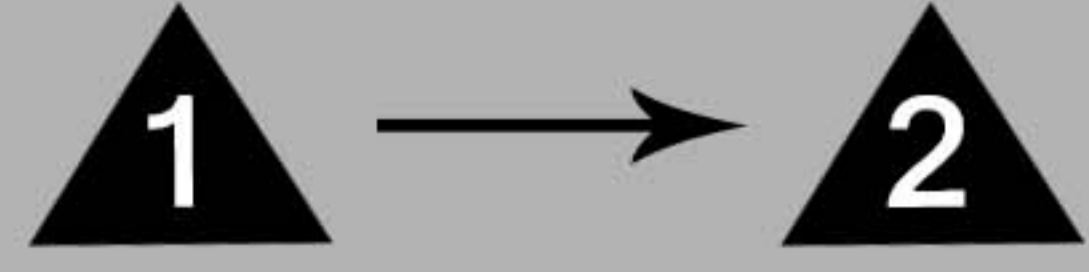
G1 1pcs



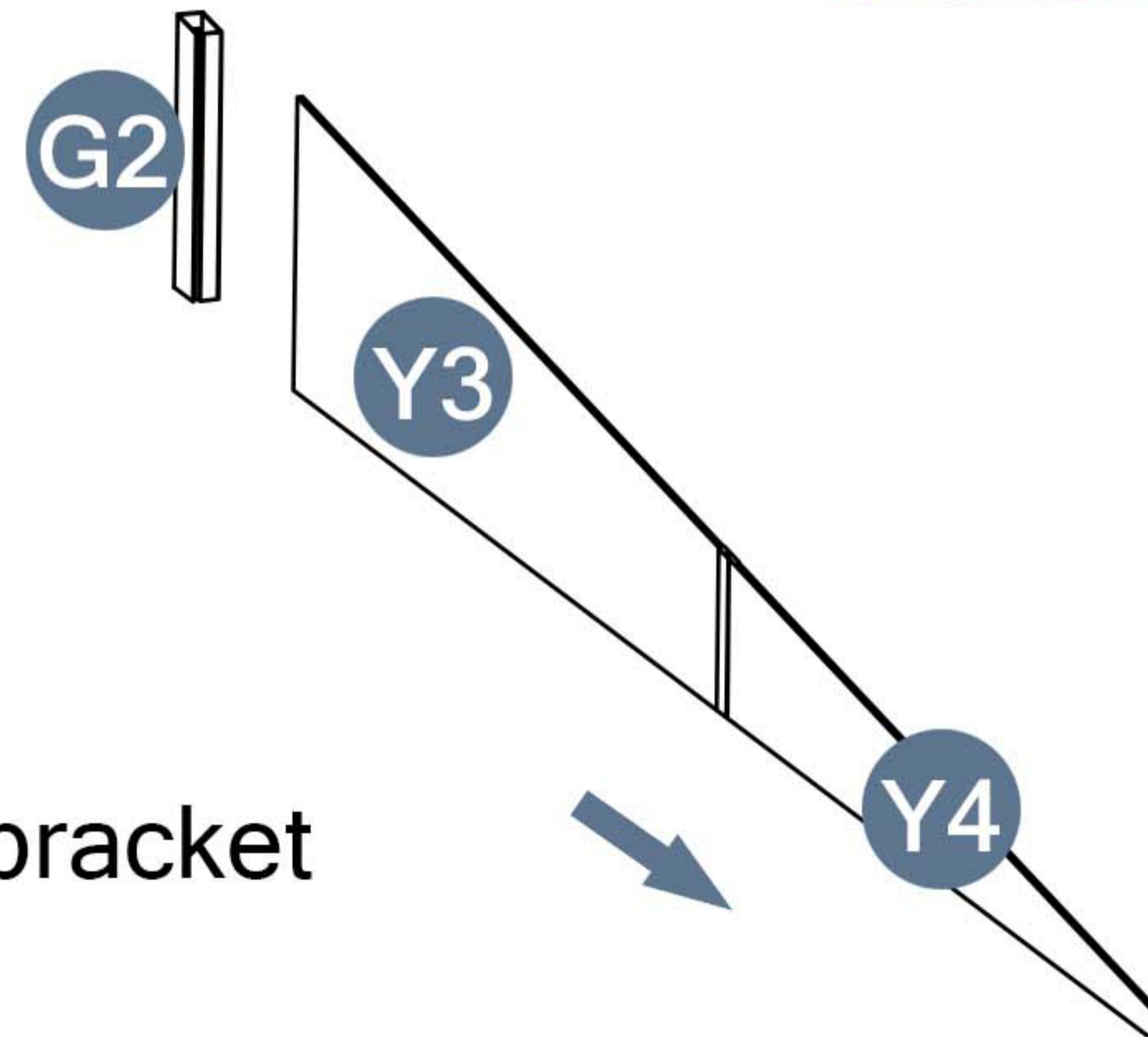
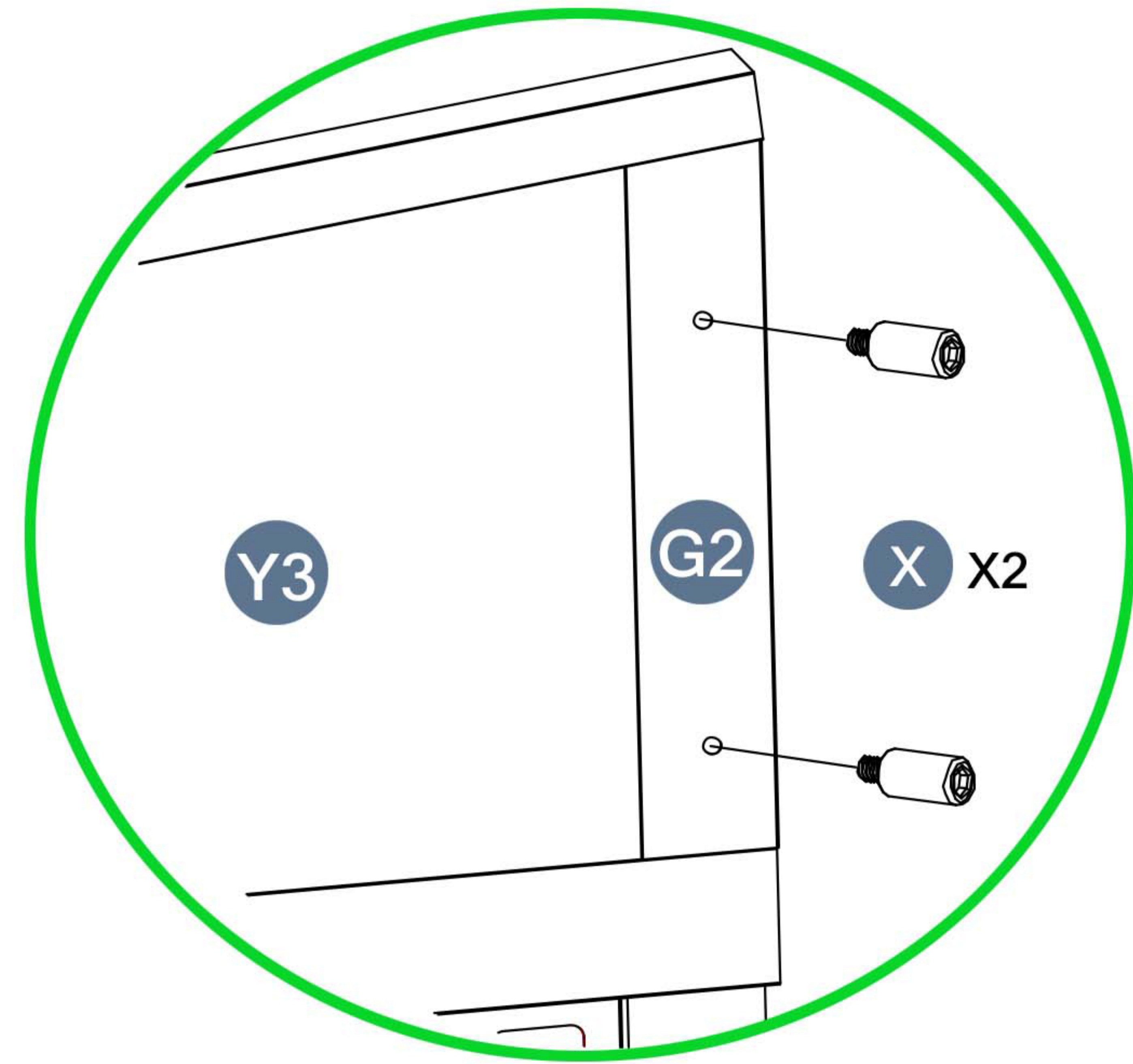
G2 1pcs



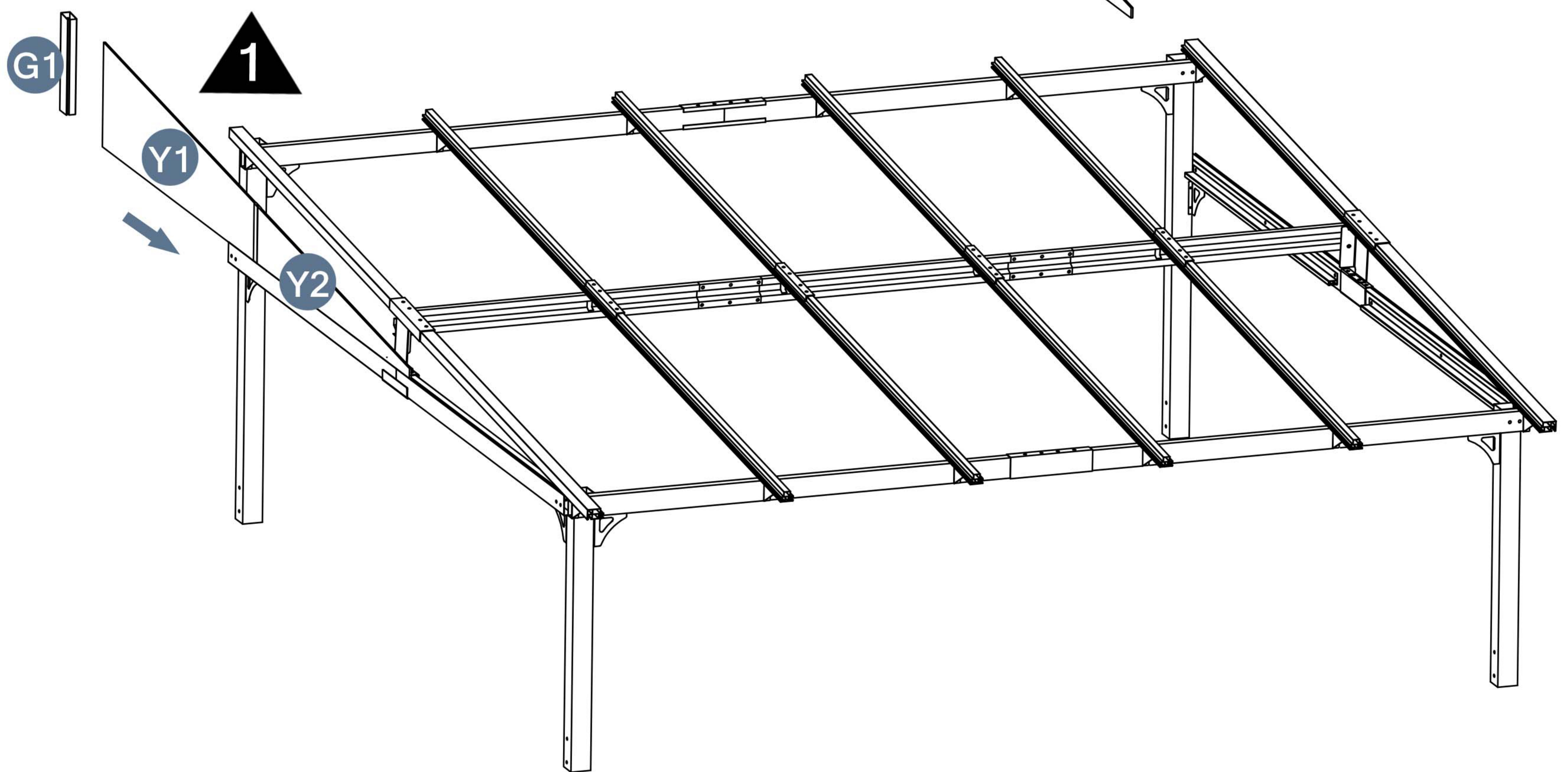
X 4pcs



2



Install steps12 on the bracket

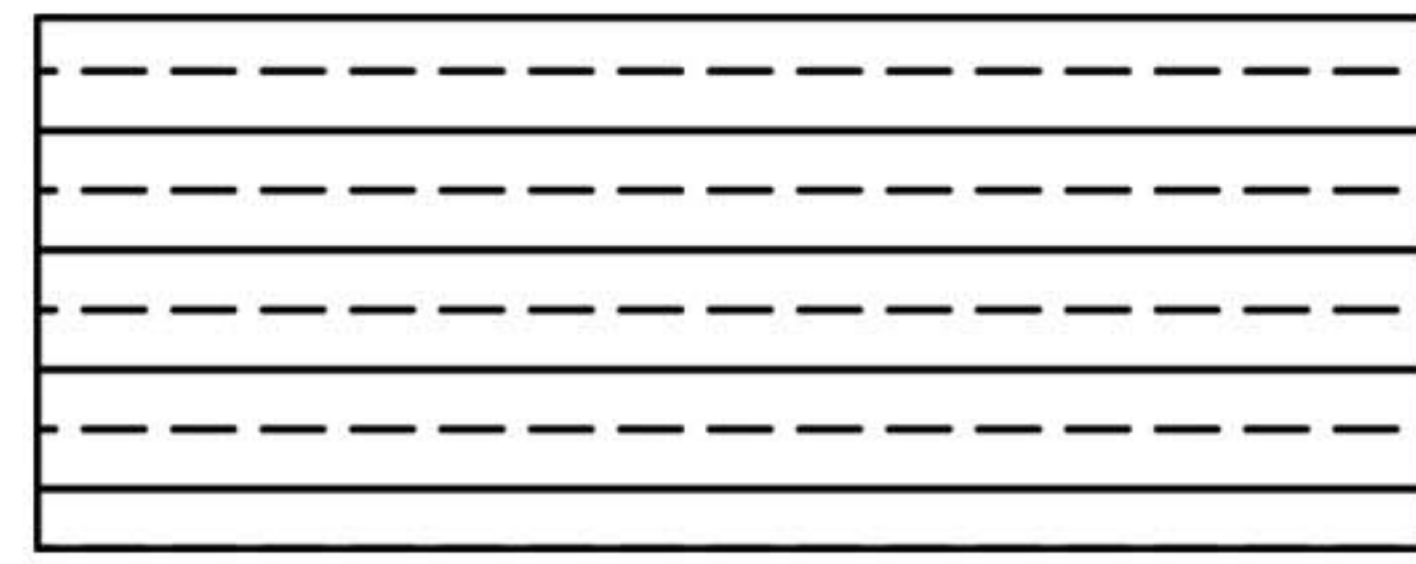


Please take care of the screws and contact the after-sales service if there is any problem with the installation or parts.

➔ ✉ E-mail: [cs.helper01@gmail.com](mailto:cs.helper01@gmail.com)

# STEP 14

Parts required

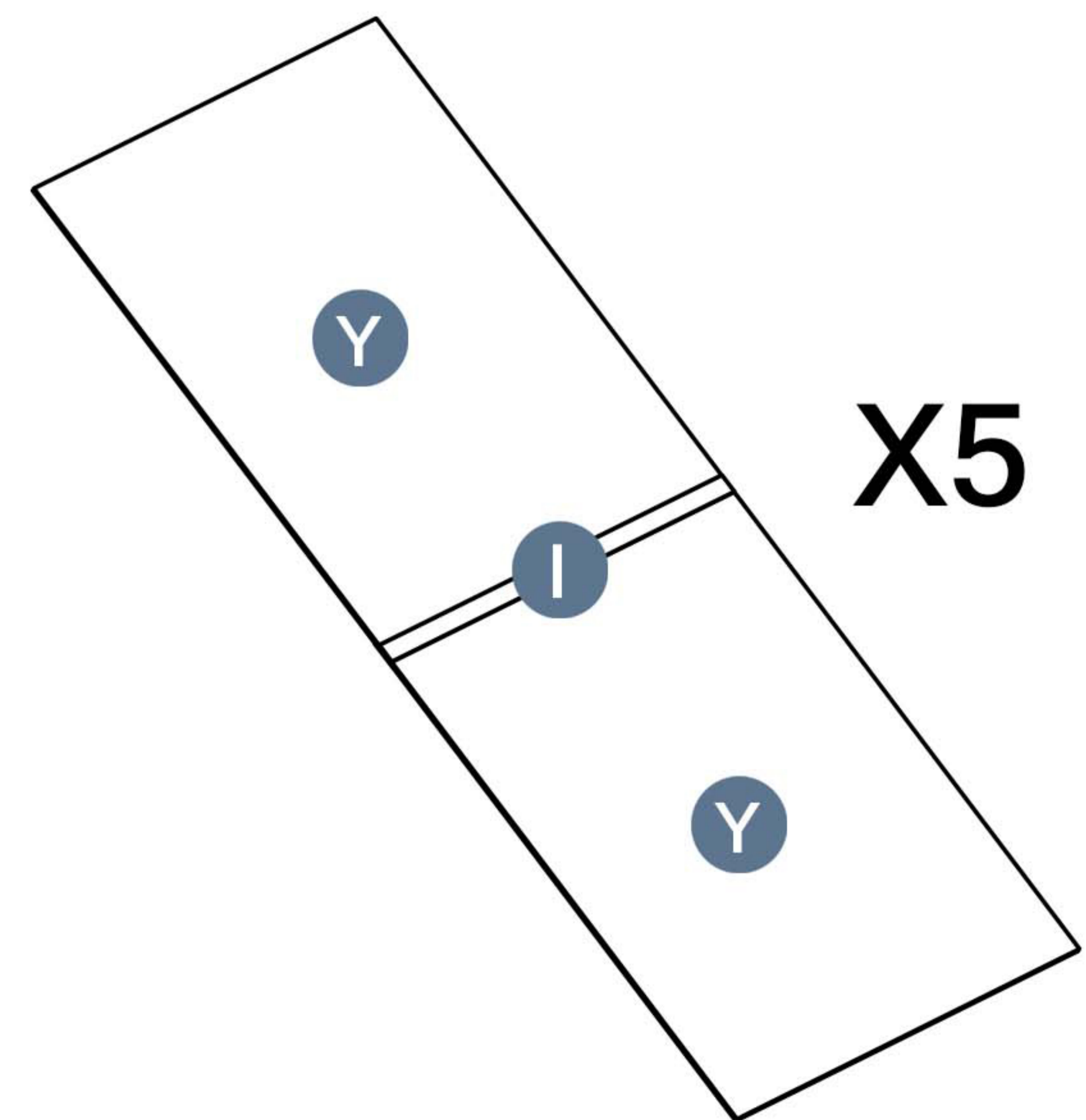
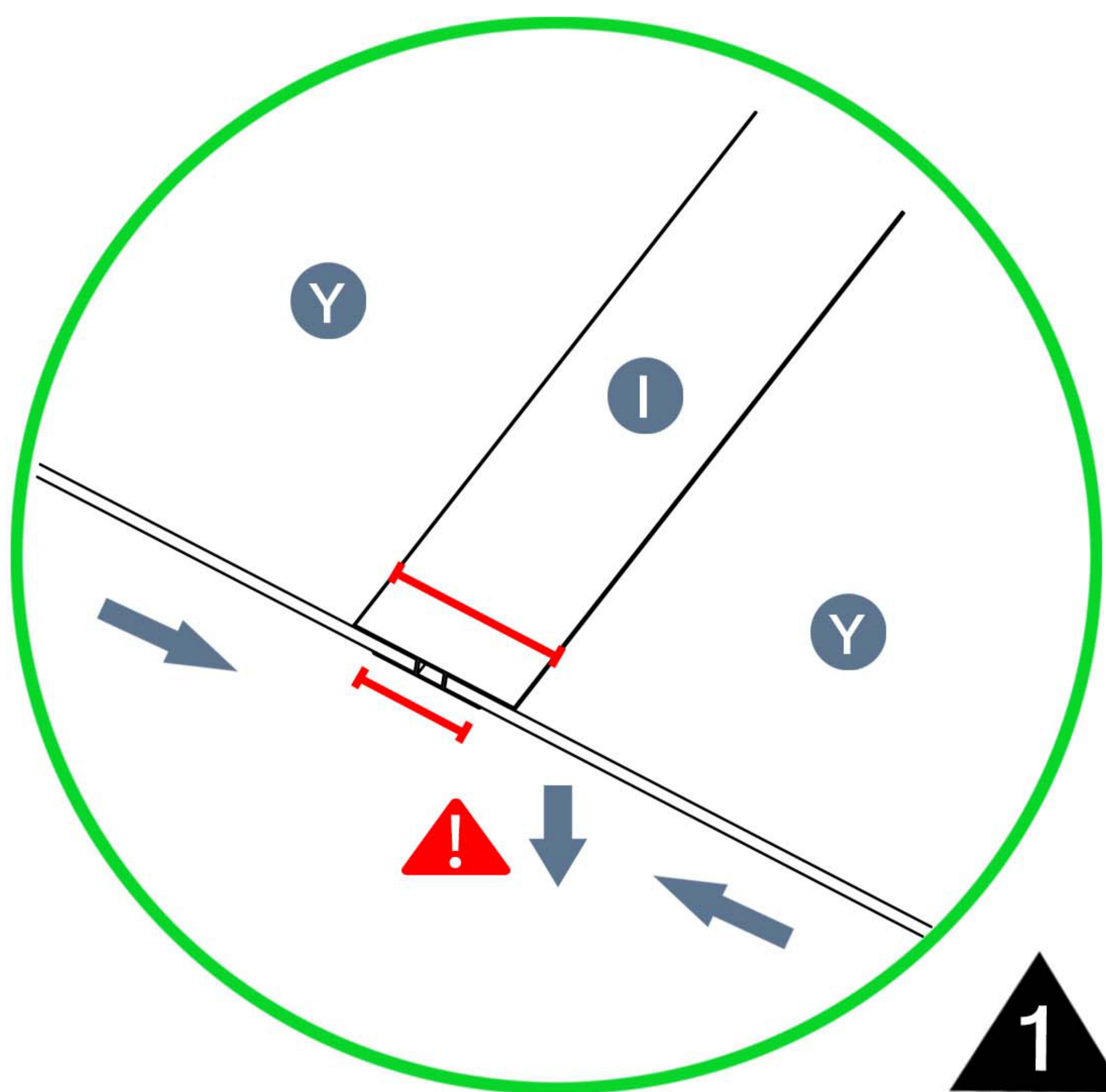
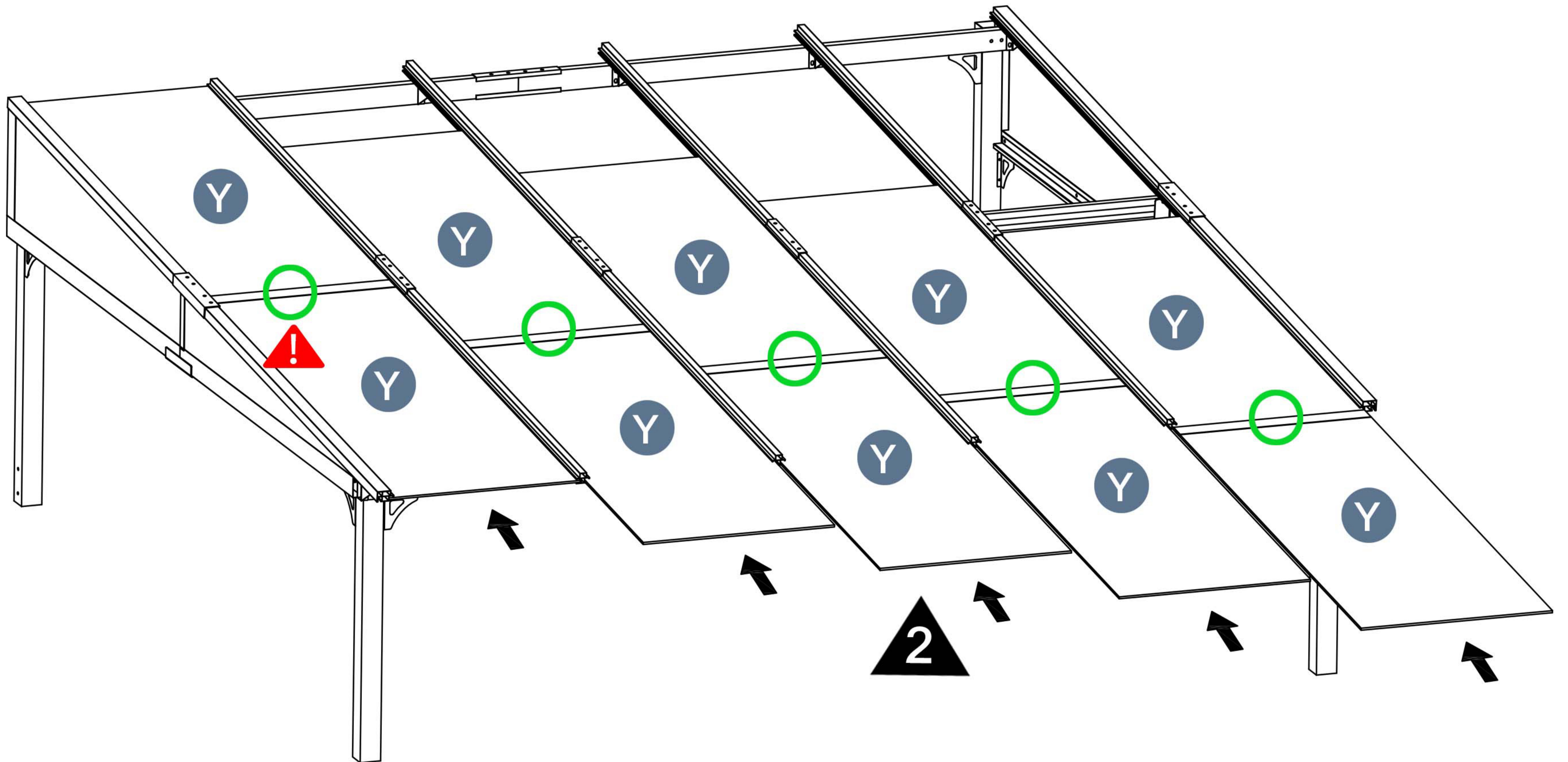



Y 10pcs



I 5pcs

1 → 2

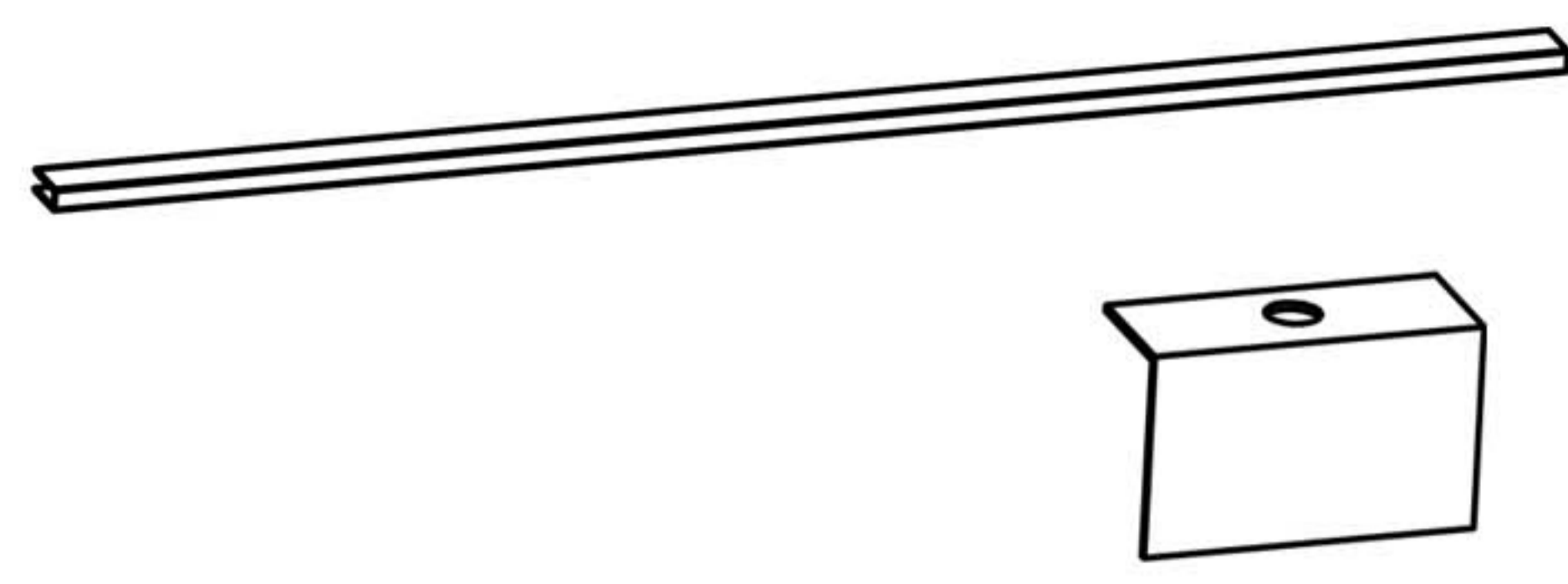


 Attention! In this step of installation, the wide edge is up, and the short side is up, there will be water leakage.

Please take care of the screws and contact the after-sales service if there is any problem with the installation or parts.

# STEP 15

Parts required

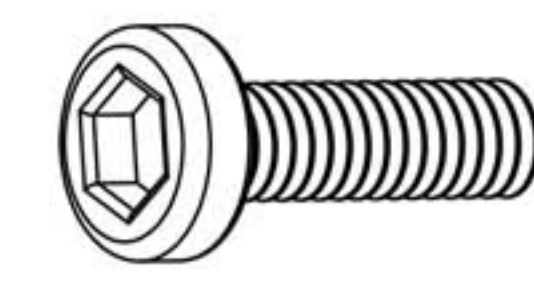


G 10pcs



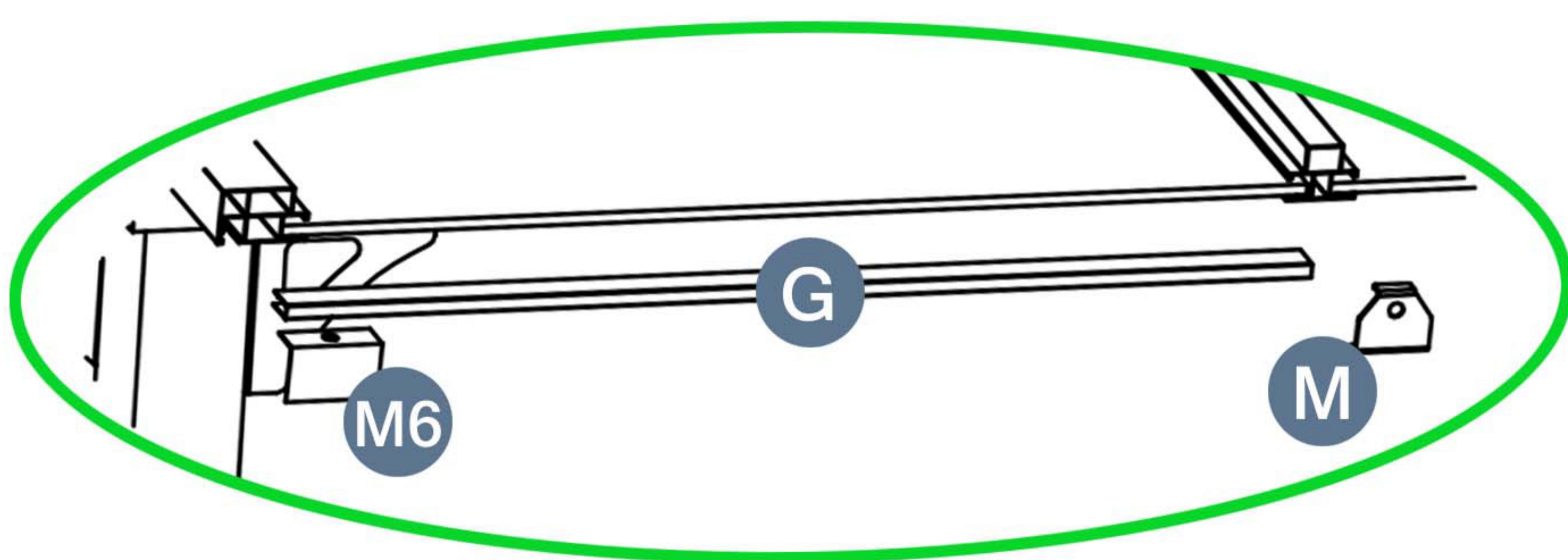
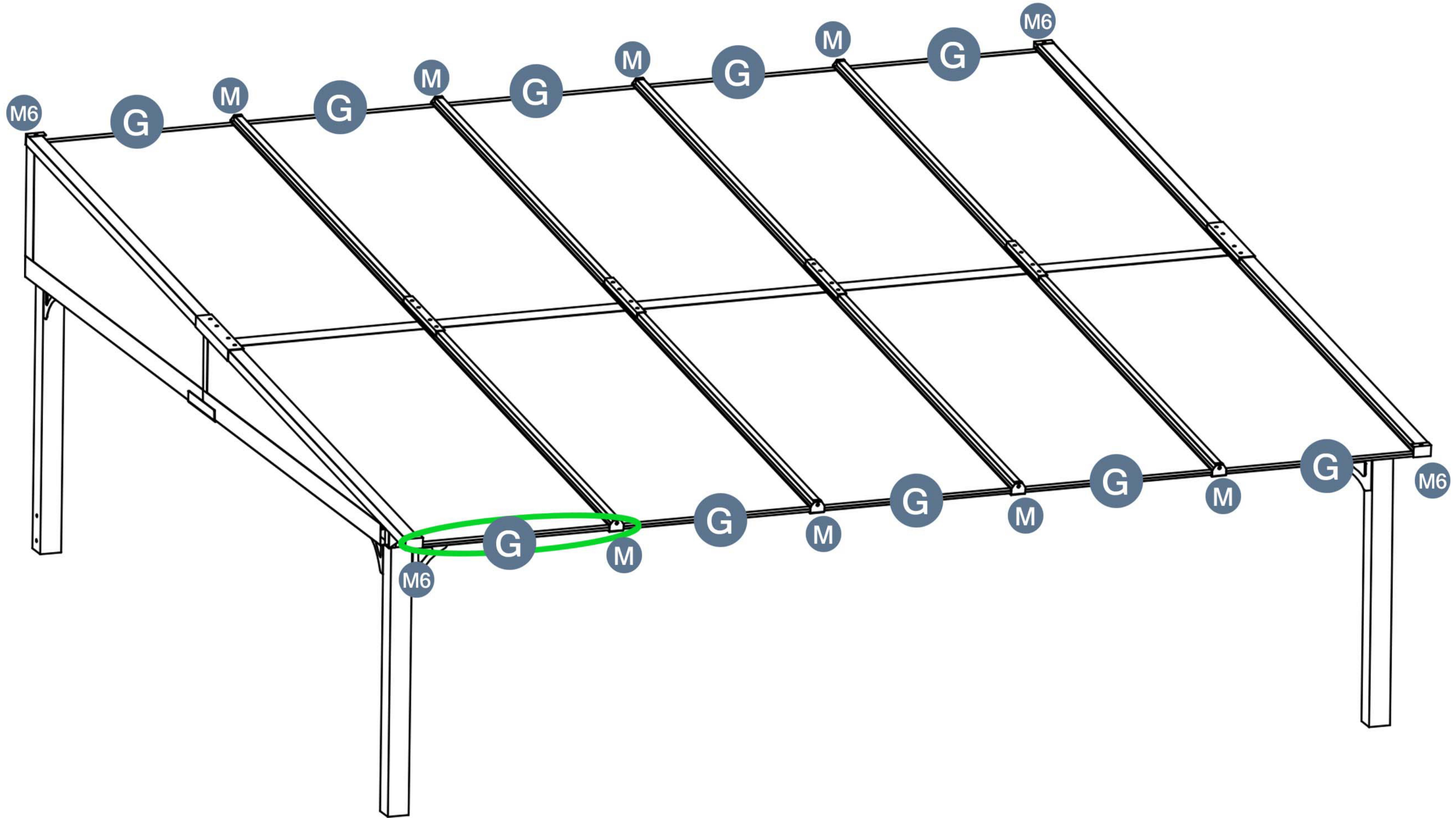
M 8pcs

M6 4pcs

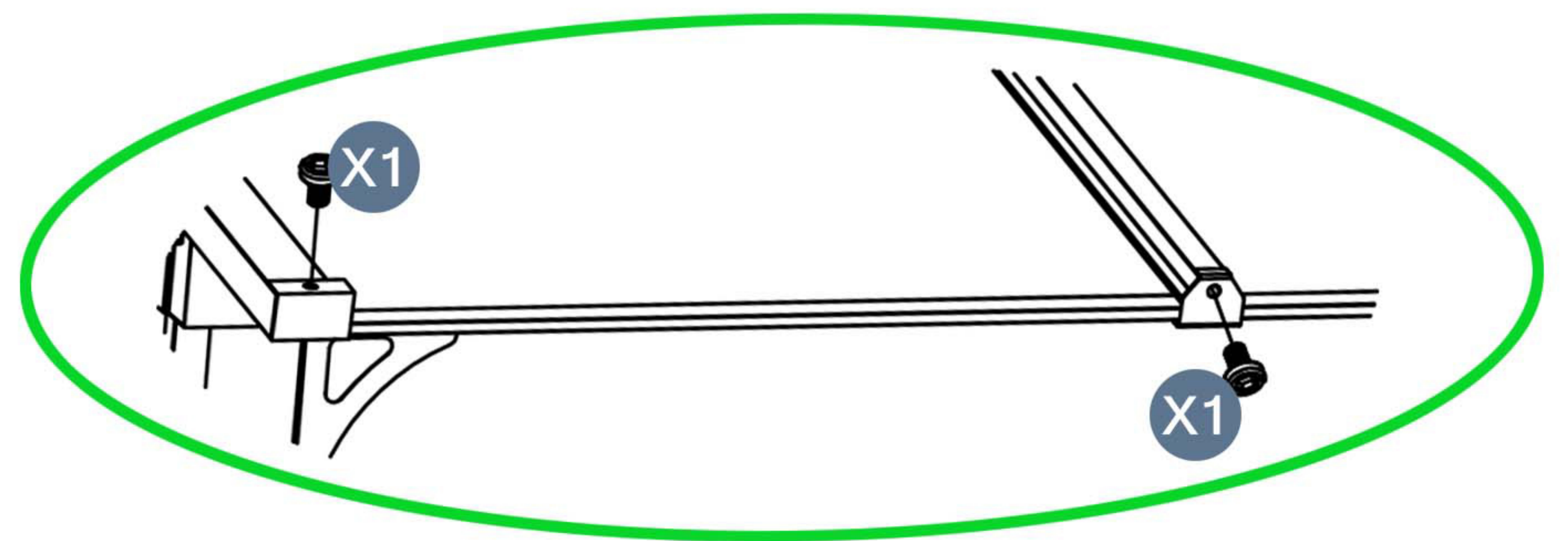


X1 12pcs

1 → 2

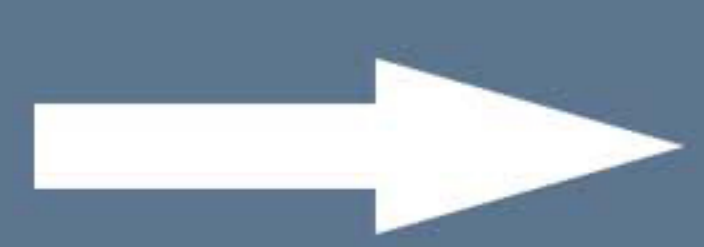


1



2

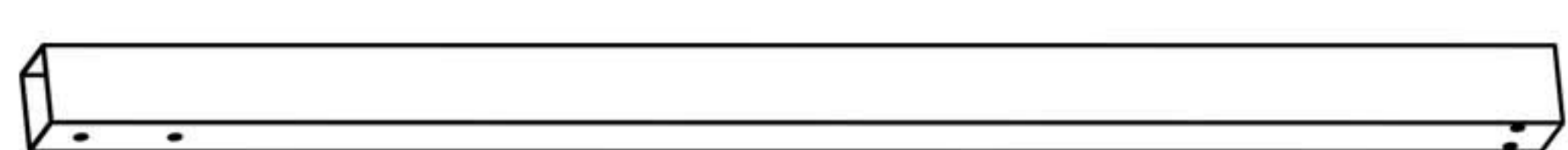
Please take care of the screws and contact the after-sales service if there is any problem with the installation or parts.



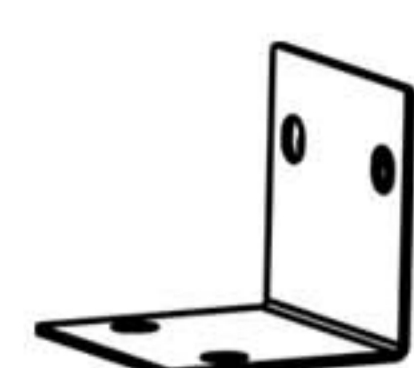
E-mail: [cs.helper01@gmail.com](mailto:cs.helper01@gmail.com)

# STEP 16

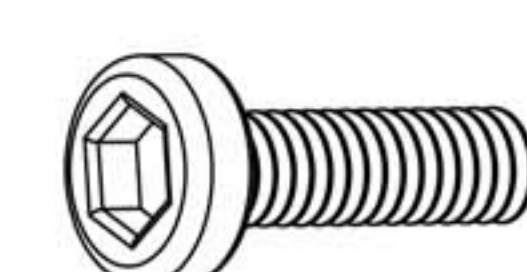
Parts required




A 4pcs

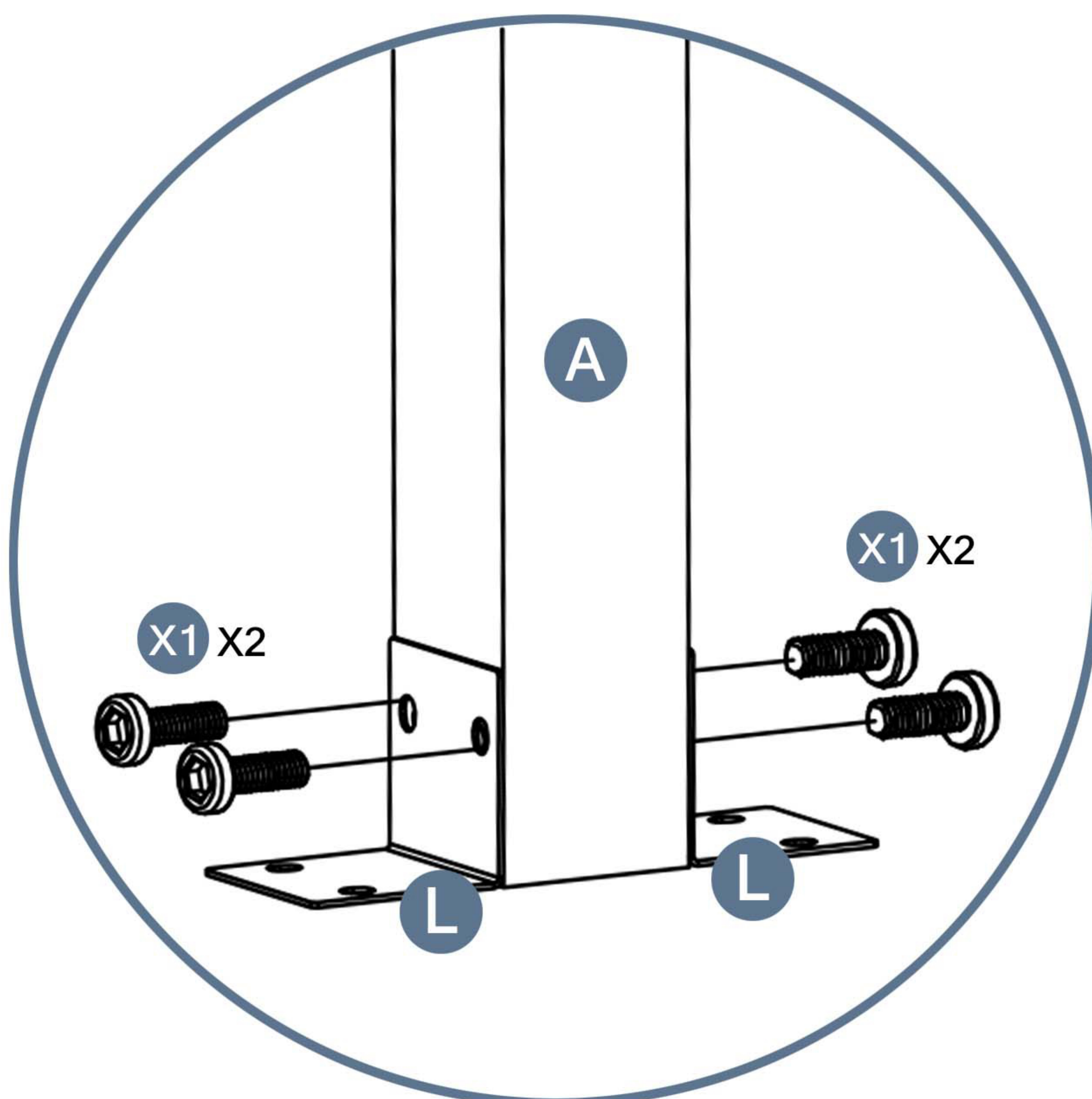
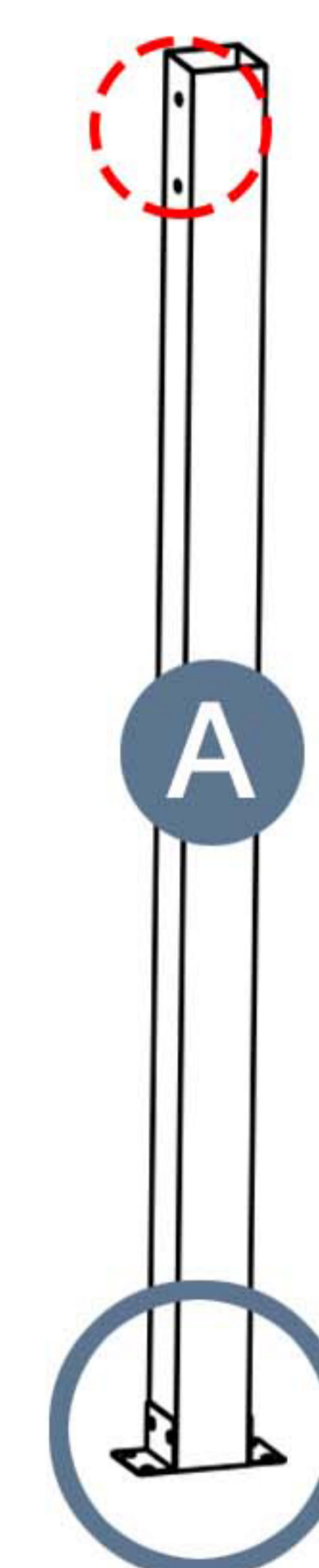
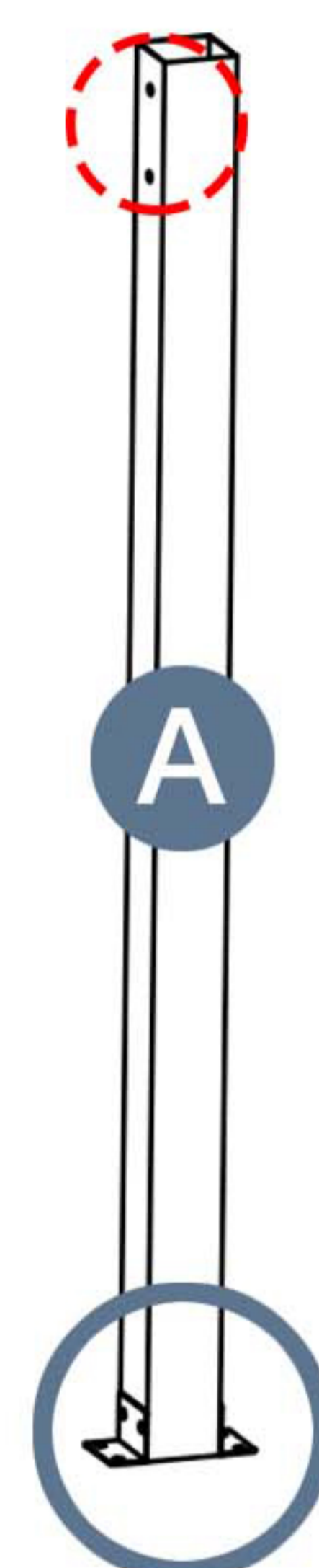
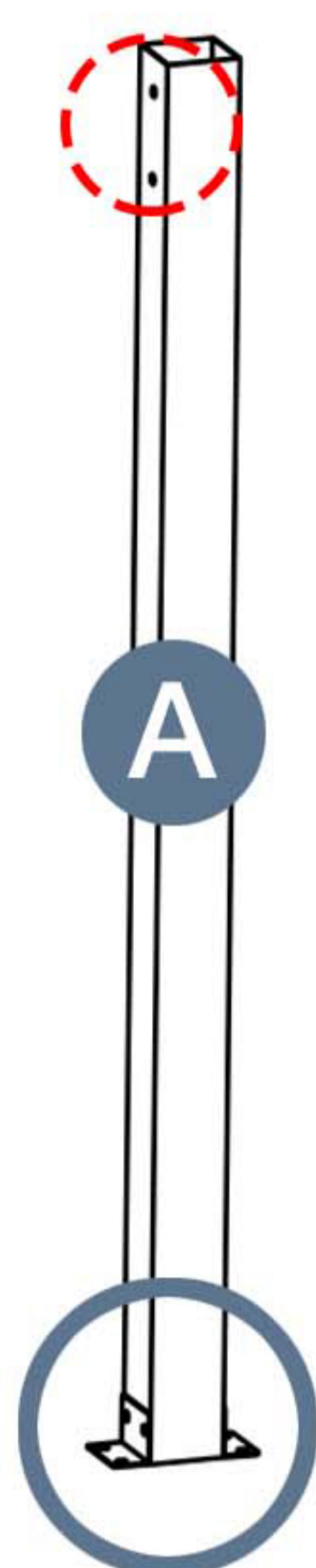
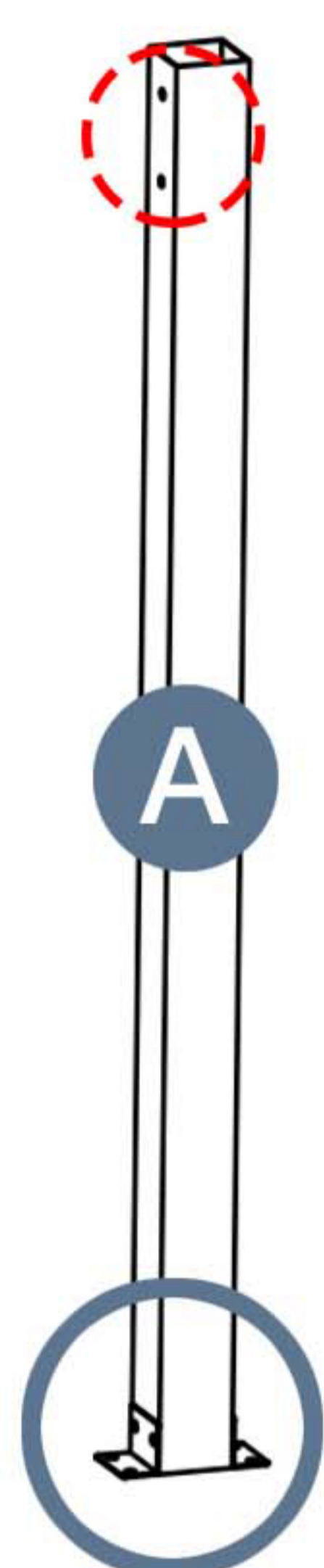


L 8pcs



X1 16pcs

 Please note the orientation of the hole.

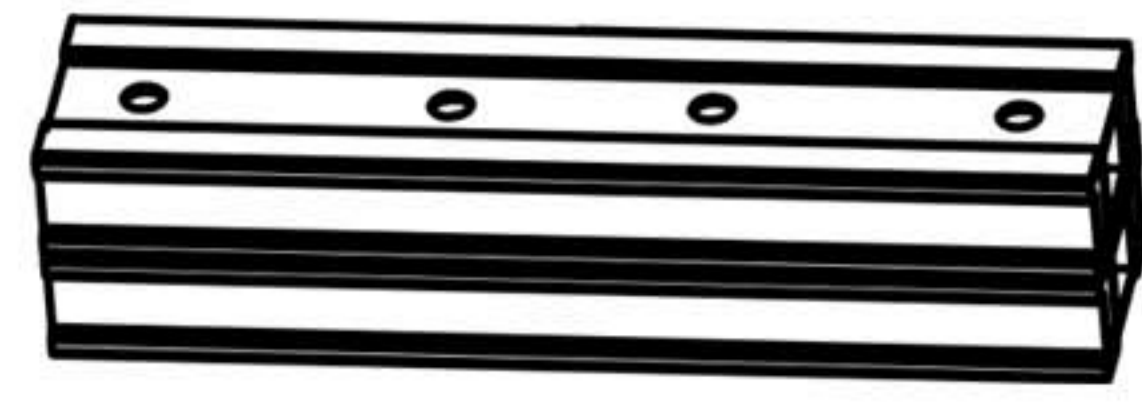


Please take care of the screws and contact the after-sales service if there is any problem with the installation or parts.

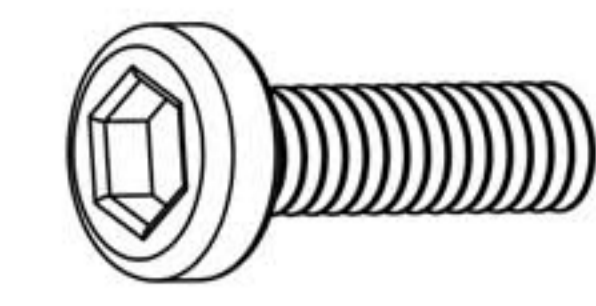
  E-mail: [cs.helper01@gmail.com](mailto:cs.helper01@gmail.com)

# STEP 17

Parts required

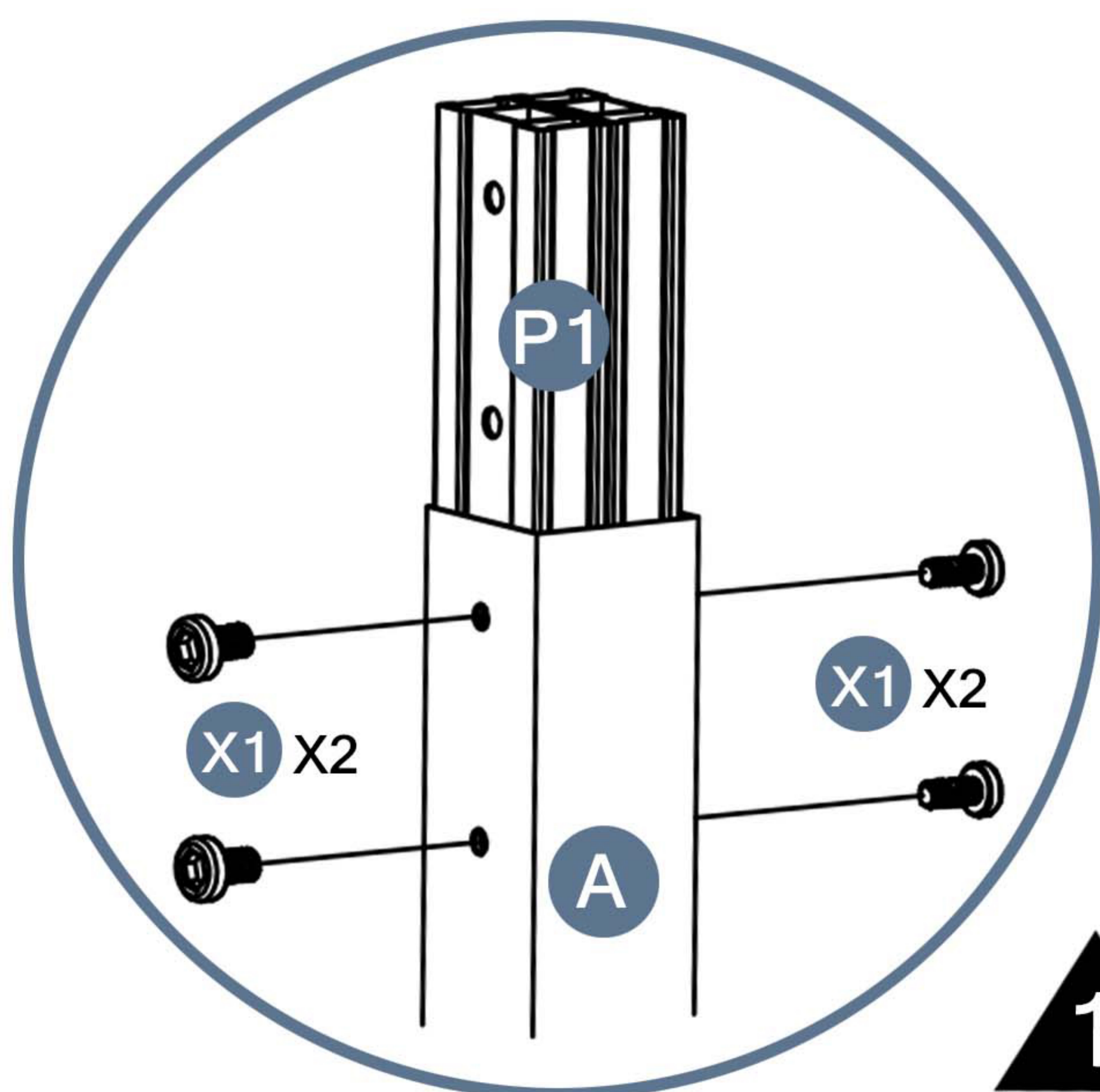
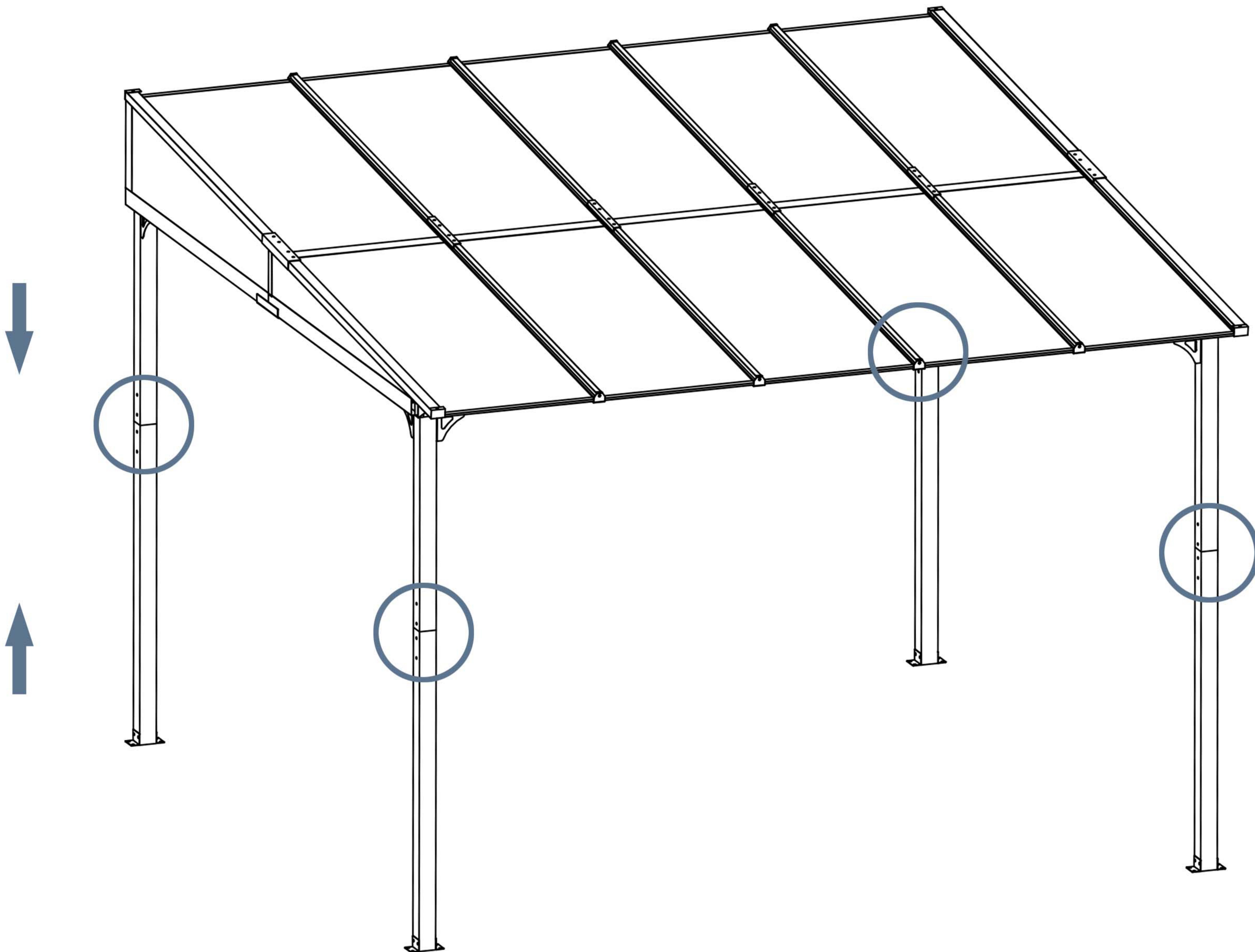


P1 4pcs

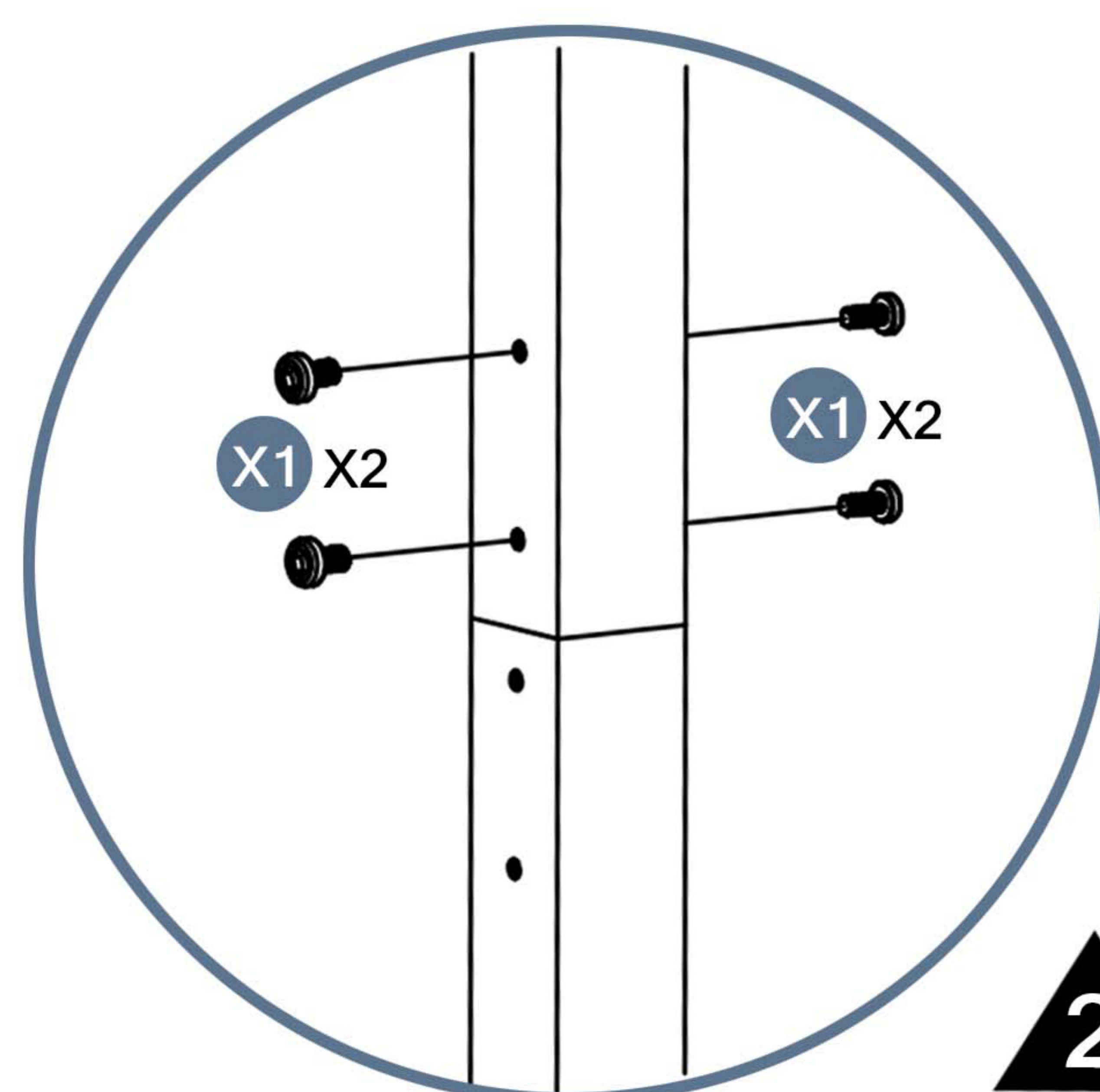


X1 32pcs

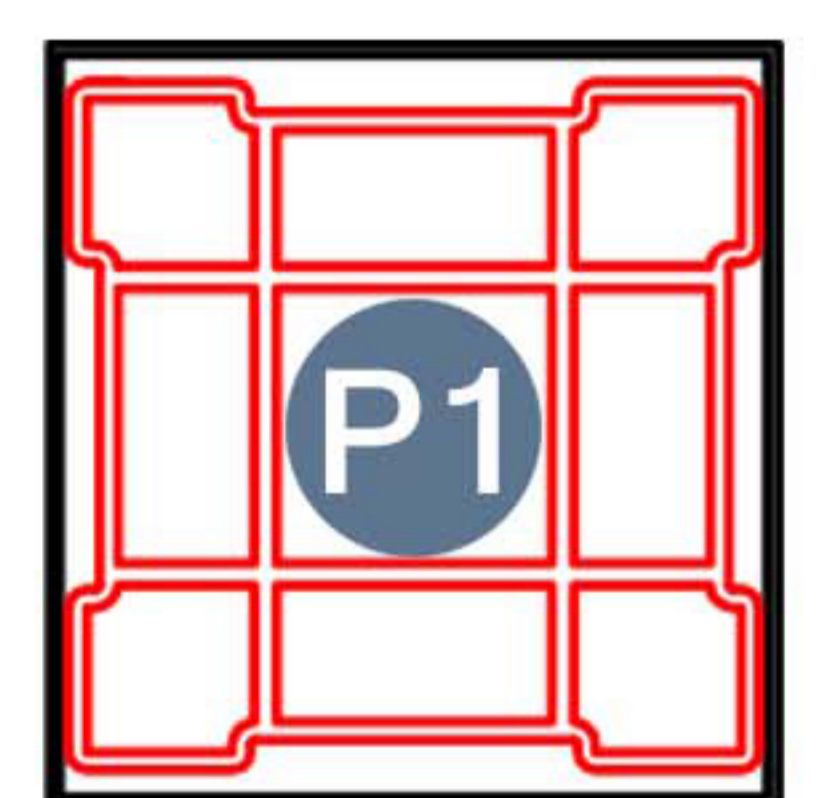
1 → 2



1



2

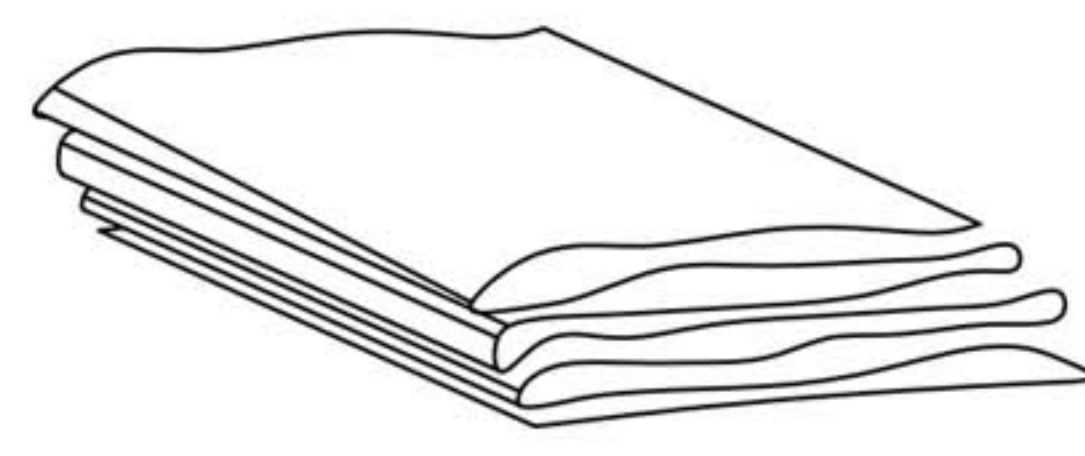


Please take care of the screws and contact the after-sales service if there is any problem with the installation or parts.

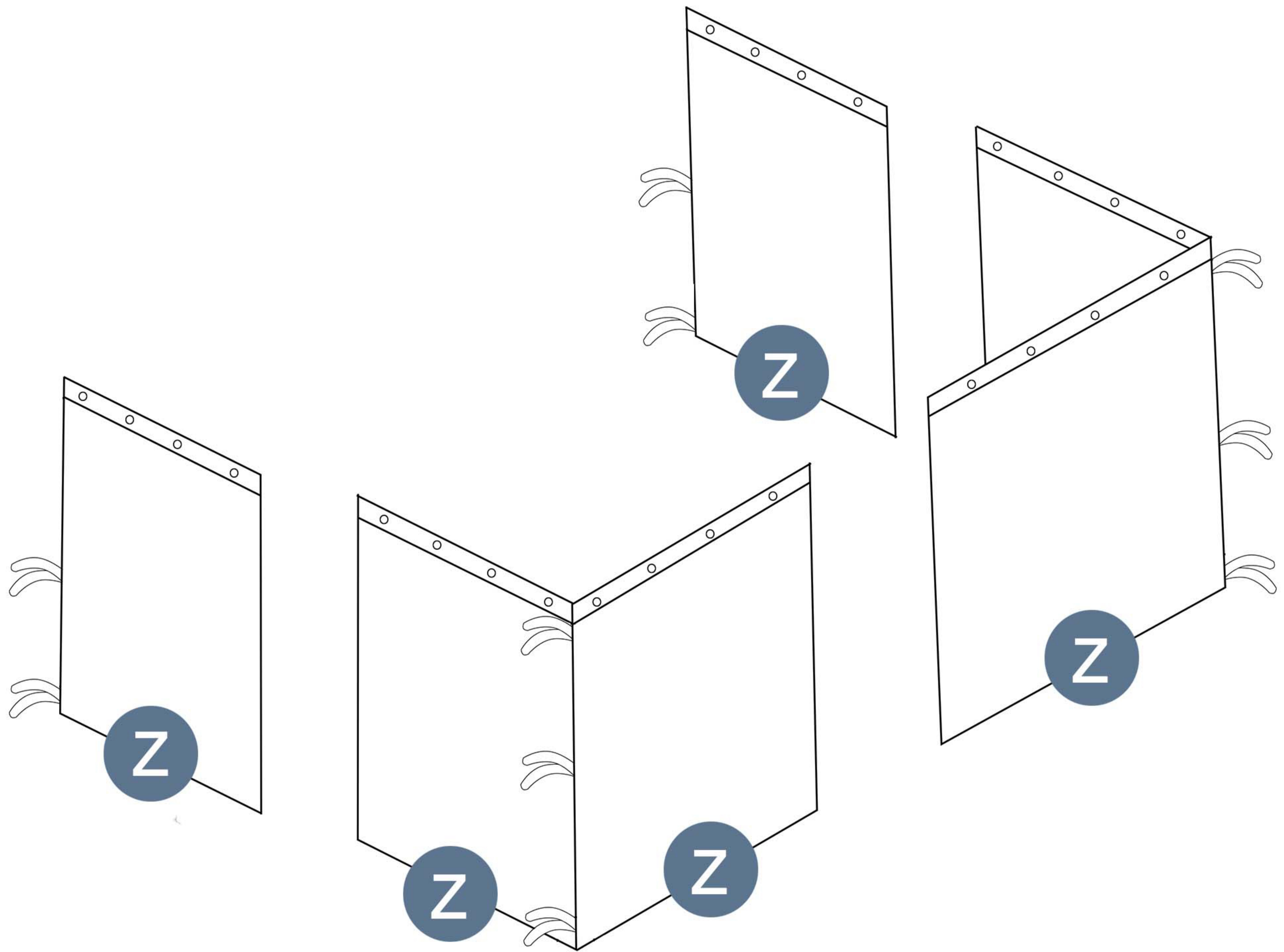
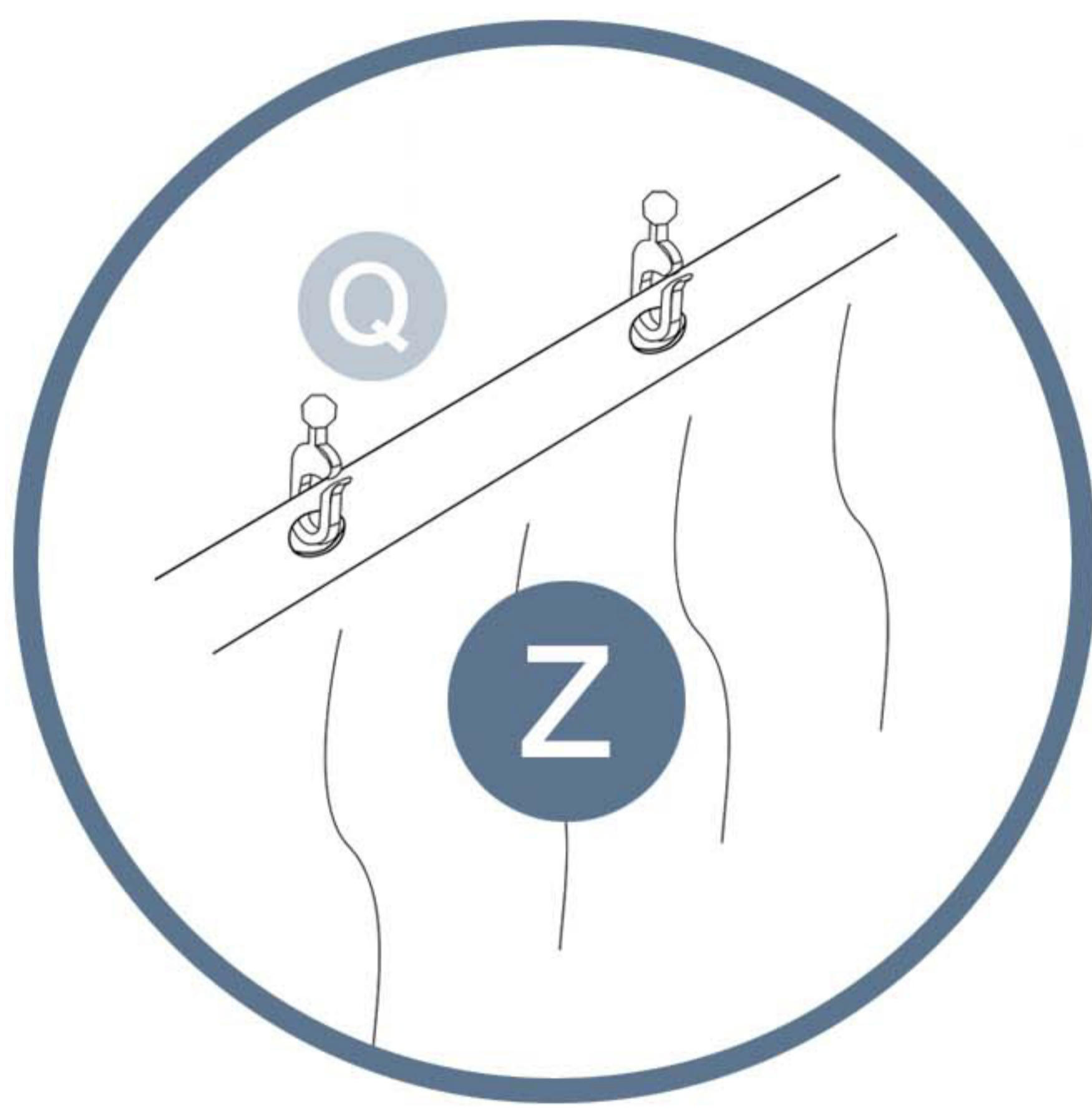
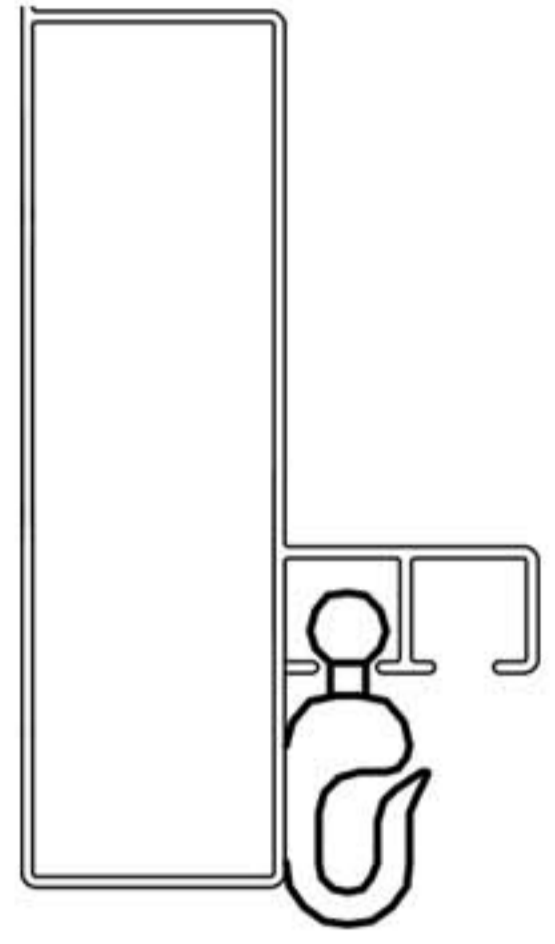
➔ ✉ E-mail: [cs.helper01@gmail.com](mailto:cs.helper01@gmail.com)

# STEP 18

Parts required



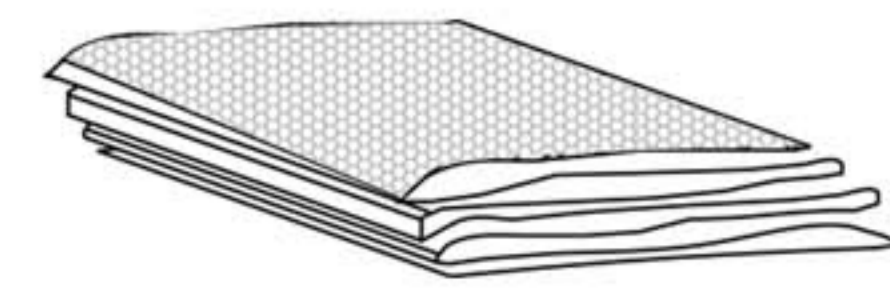
Z 1pcs



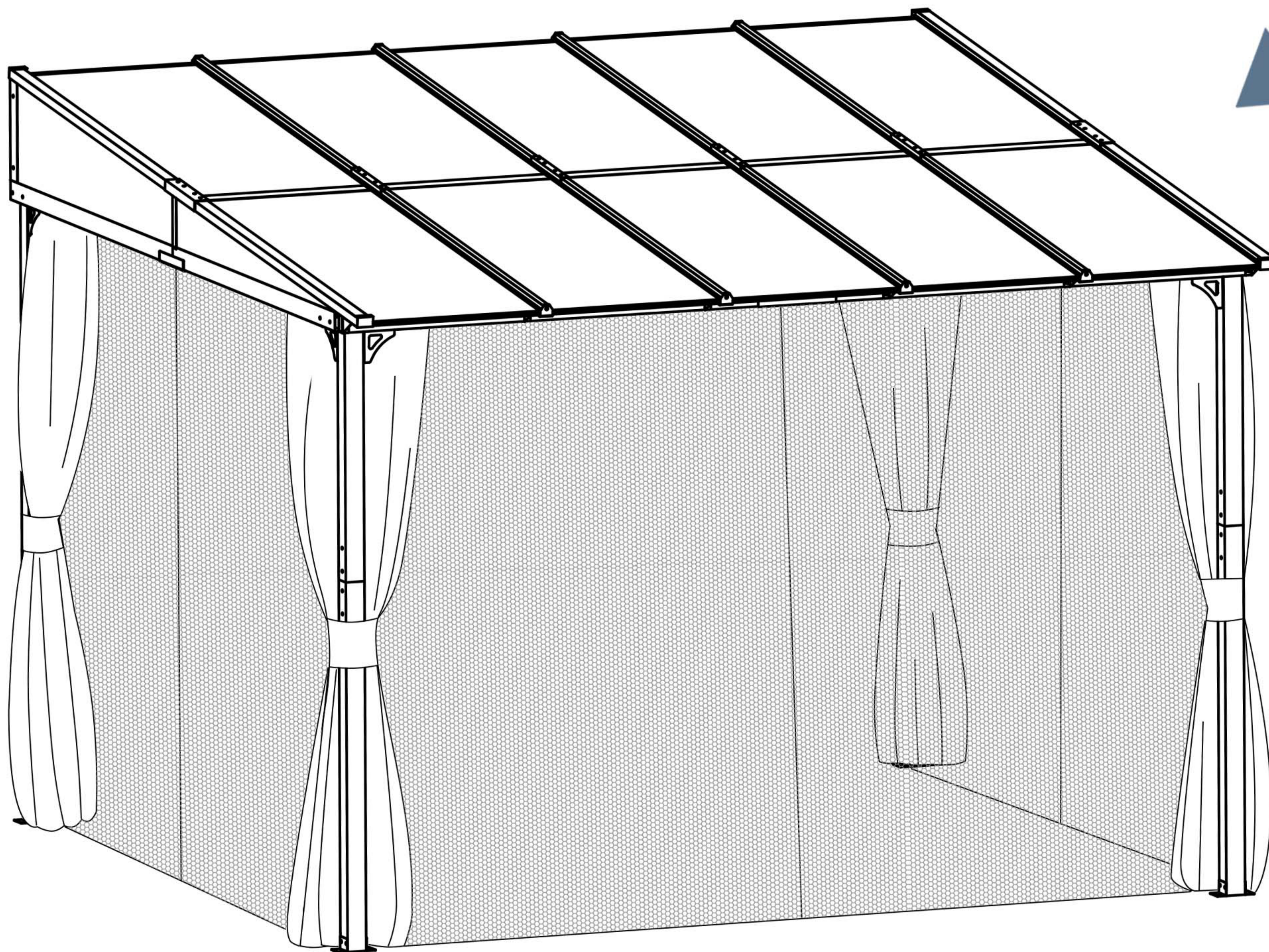
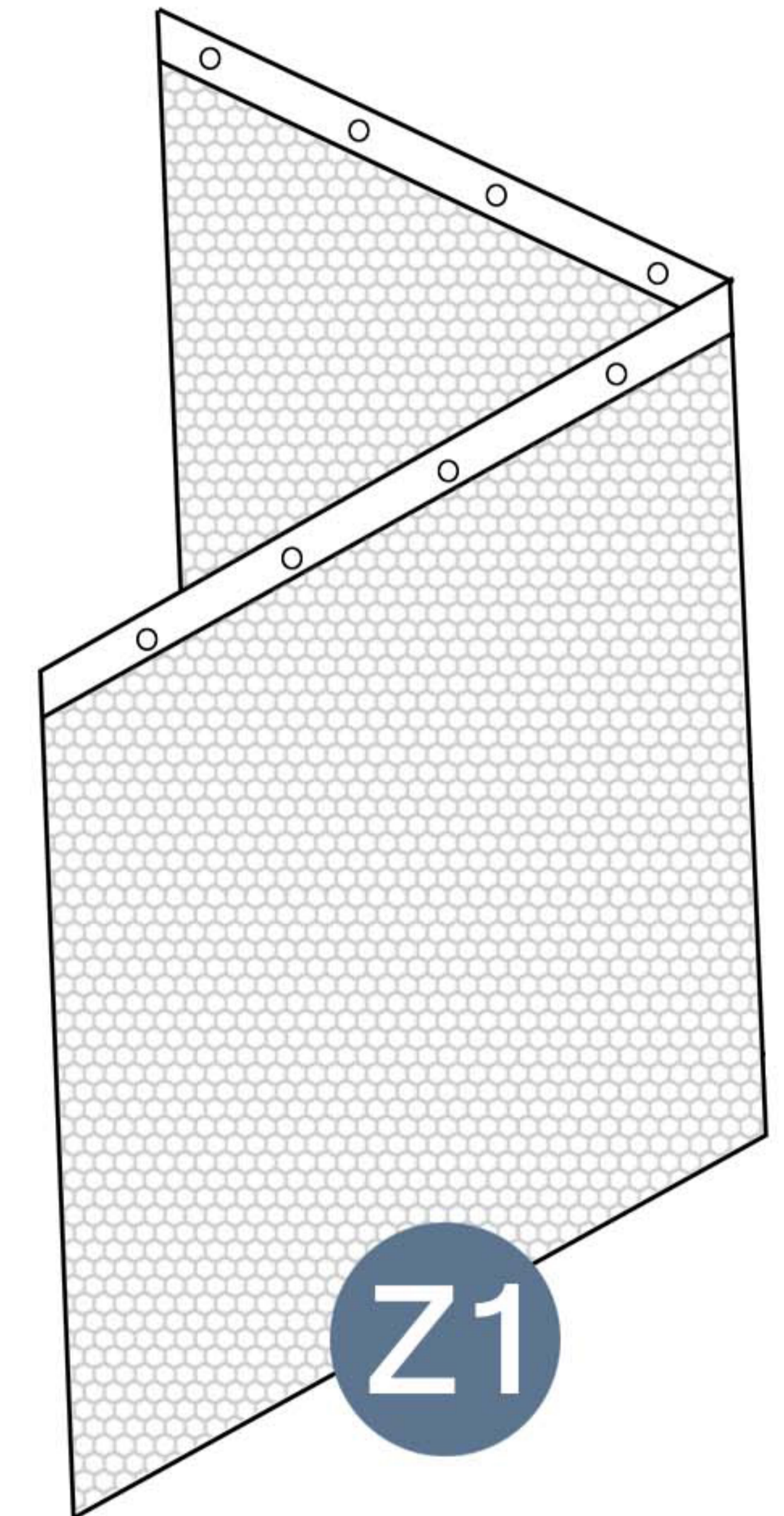
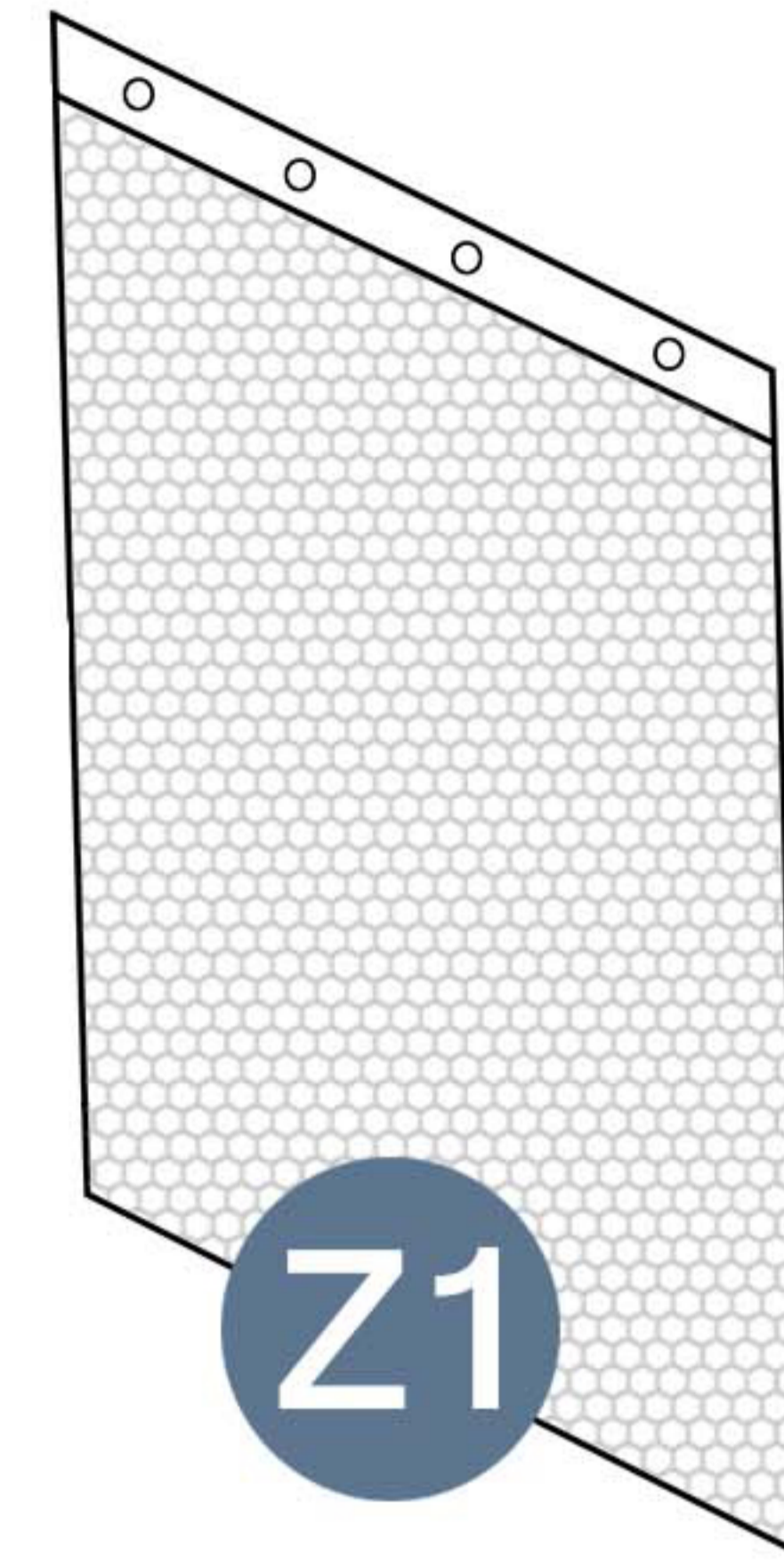
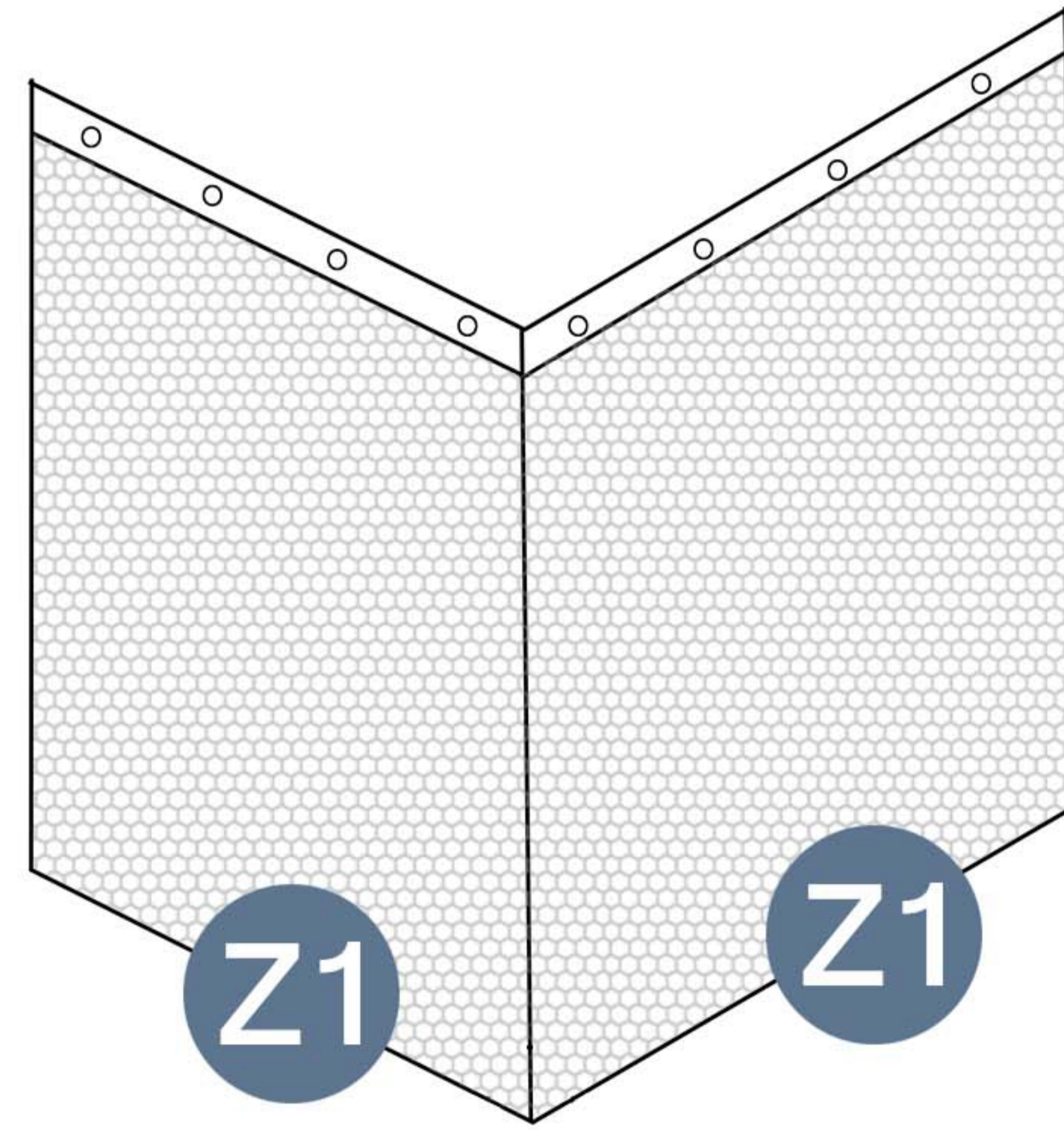
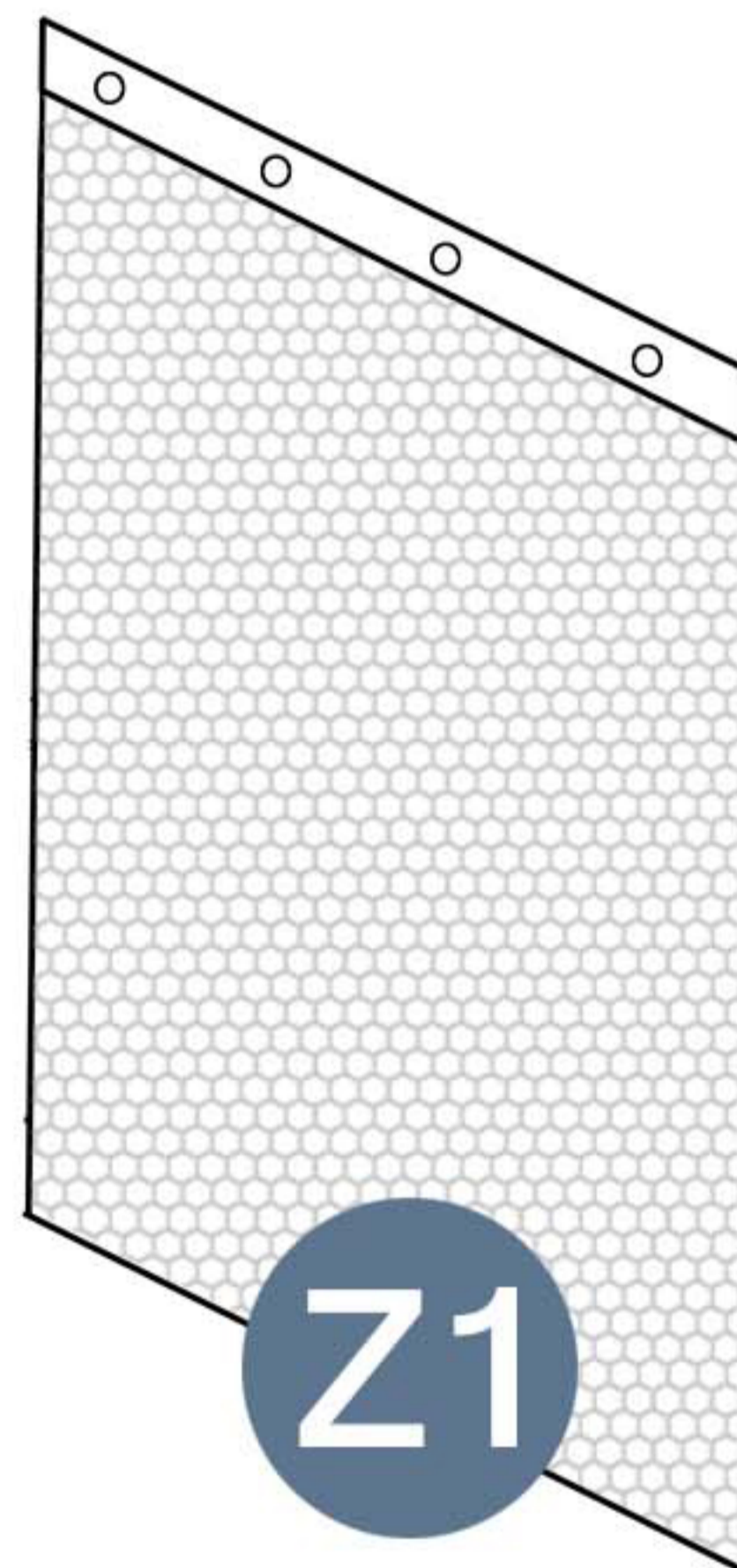
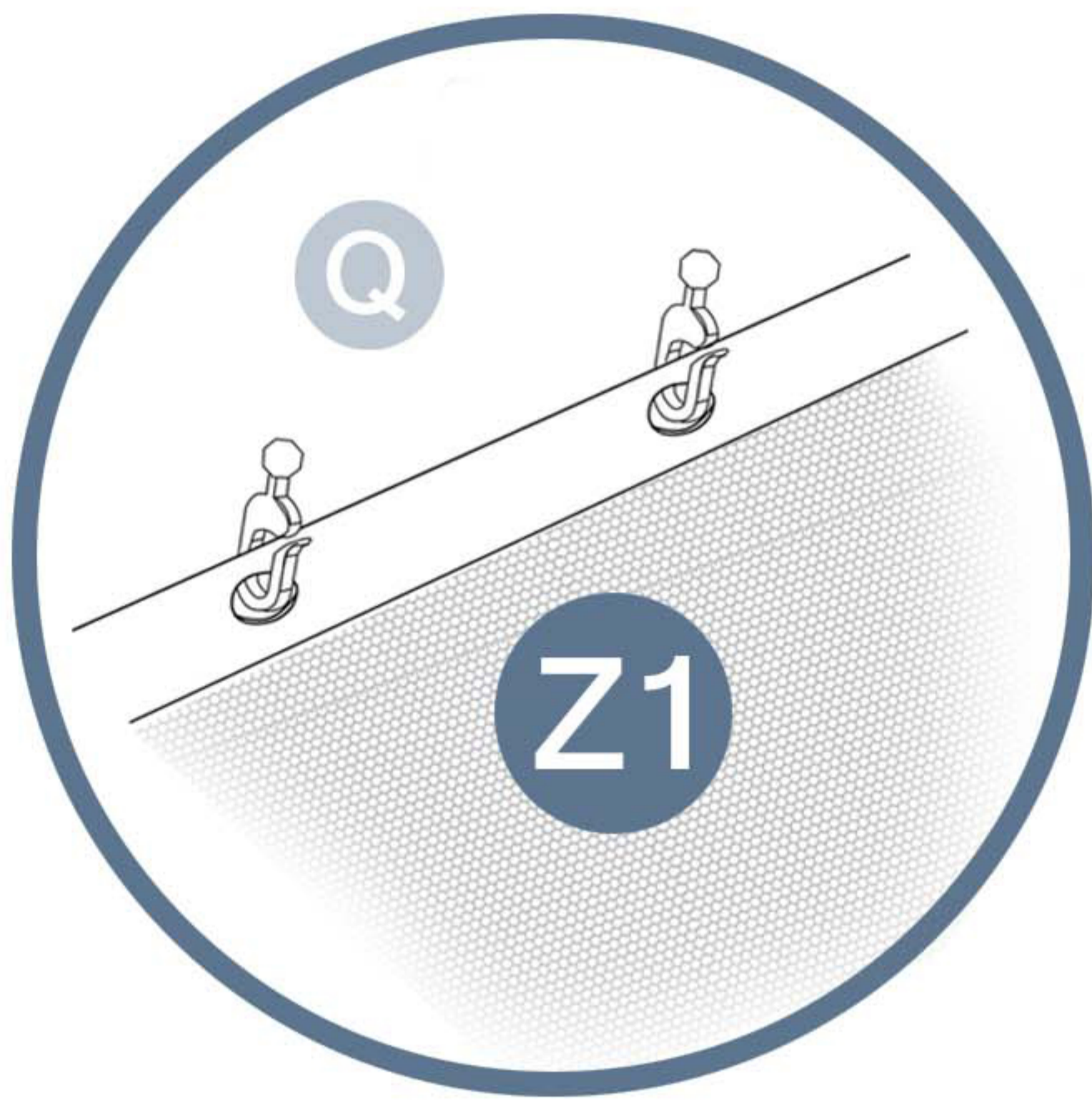
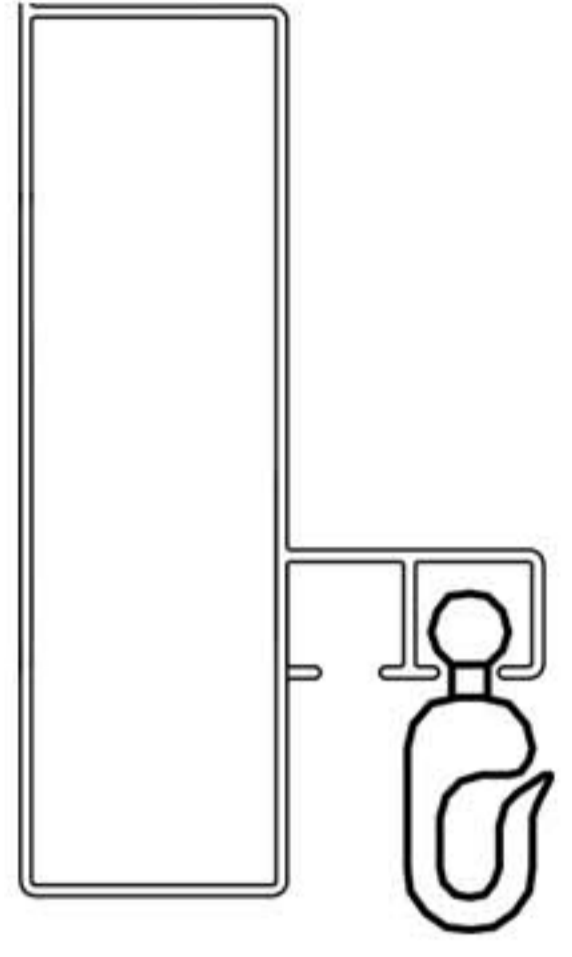
Please take care of the screws and contact the after-sales service if there is any problem with the installation or parts.

# STEP 19

Parts required



Z1 1pcs



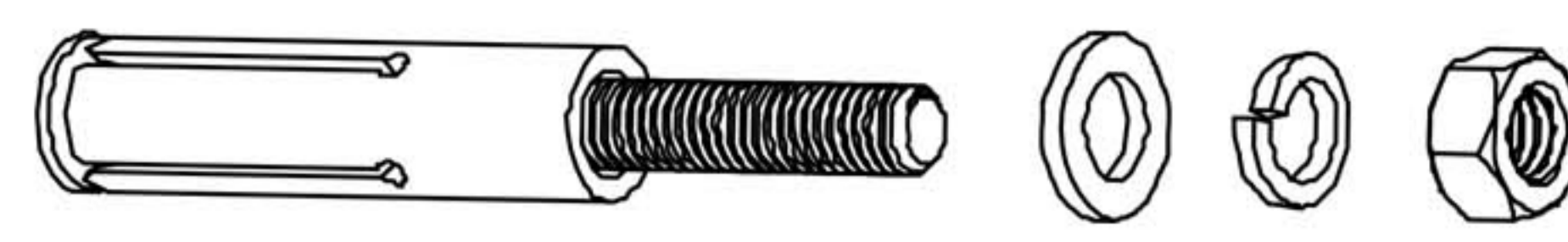
Please take care of the screws and contact the after-sales service if there is any problem with the installation or parts.



E-mail: [cs.helper01@gmail.com](mailto:cs.helper01@gmail.com)

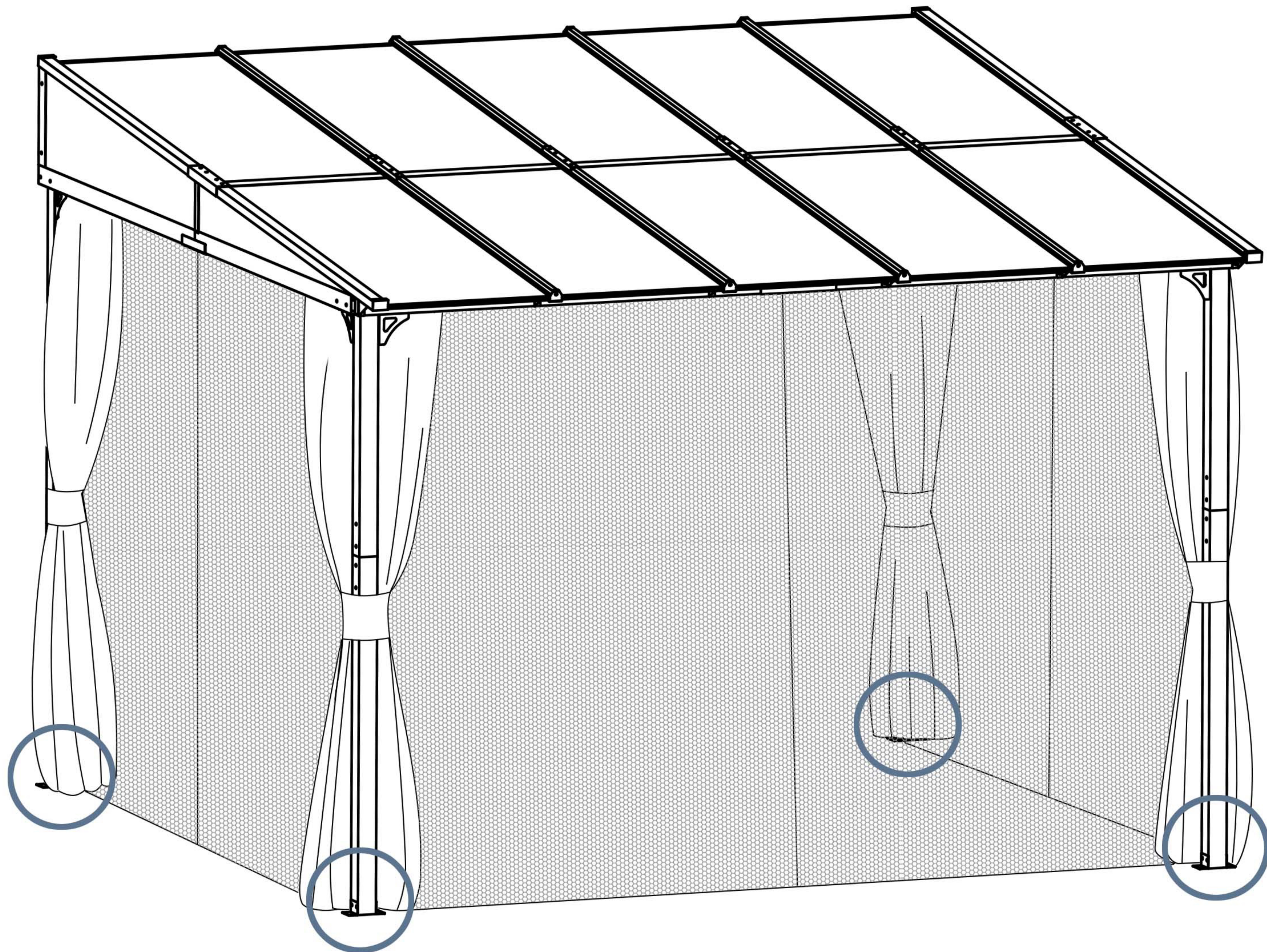
# STEP 20

Parts required

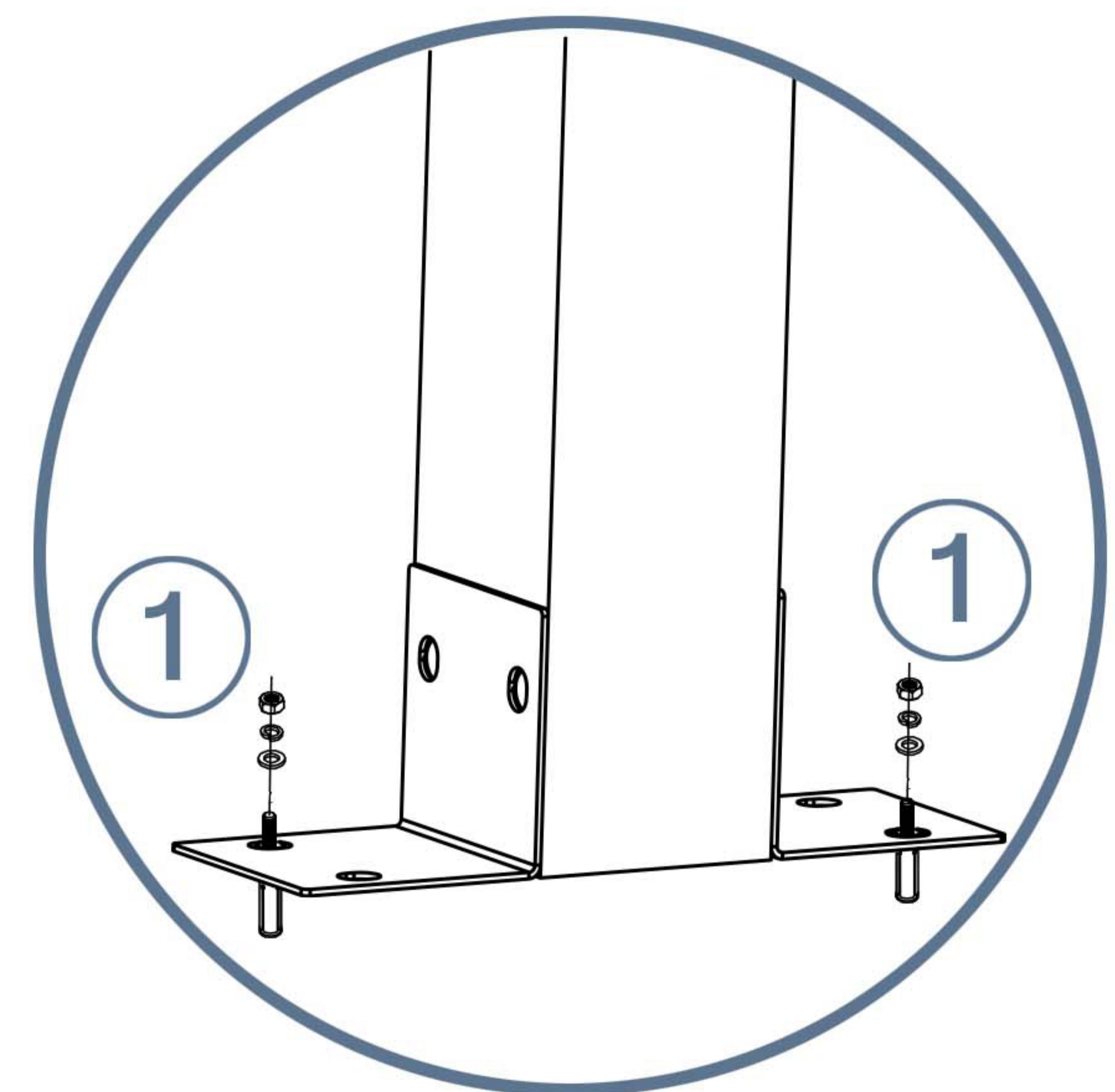


1 8pcs

To improve stability of gazebo, expansion screws very necessary. Expansion screws use for cement surfaces and have included in the package.

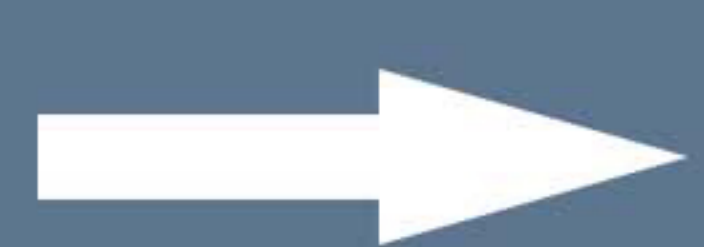


!!! For safety's stake, please check and make sure that all screws are tightened after all installation is complete.



## Installation Completed

Please take care of the screws and contact the after-sales service if there is any problem with the installation or parts.



E-mail: [cs.helper01@gmail.com](mailto:cs.helper01@gmail.com)