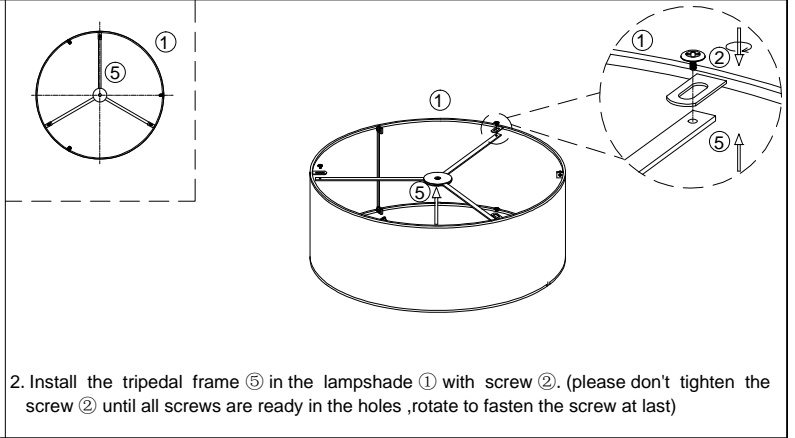
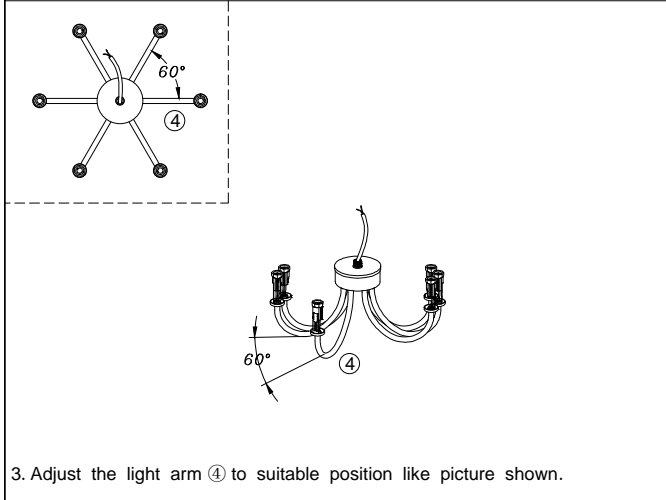


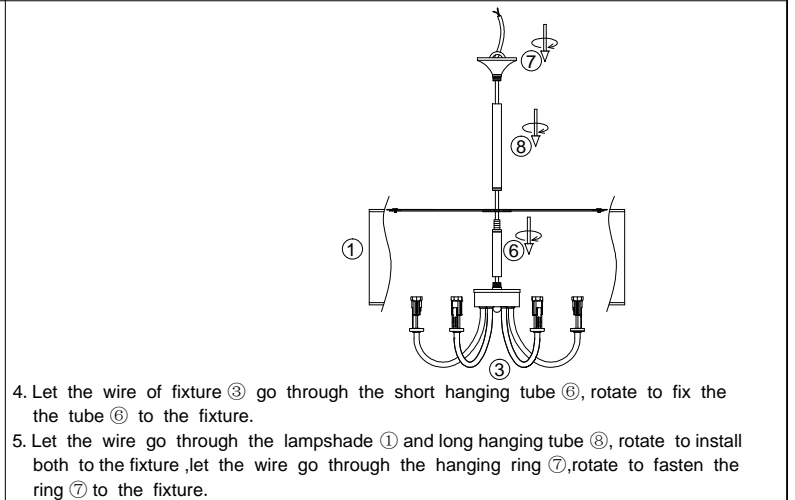
1. Assemble the split parts ① to be a complete lampshade with screw ②. (please don't tighten the screw ② until all screws are ready in the holes , rotate to fasten the screw ② at last)



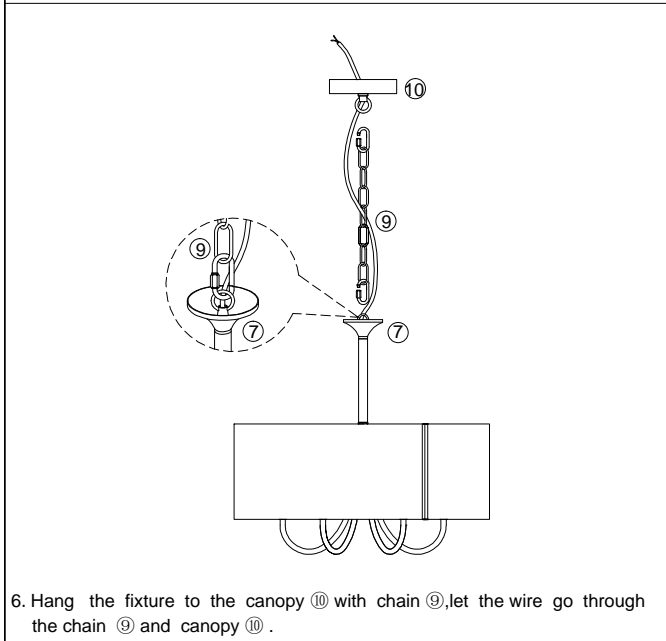
2. Install the tripod frame ⑤ in the lampshade ① with screw ②. (please don't tighten the screw ② until all screws are ready in the holes , rotate to fasten the screw at last)



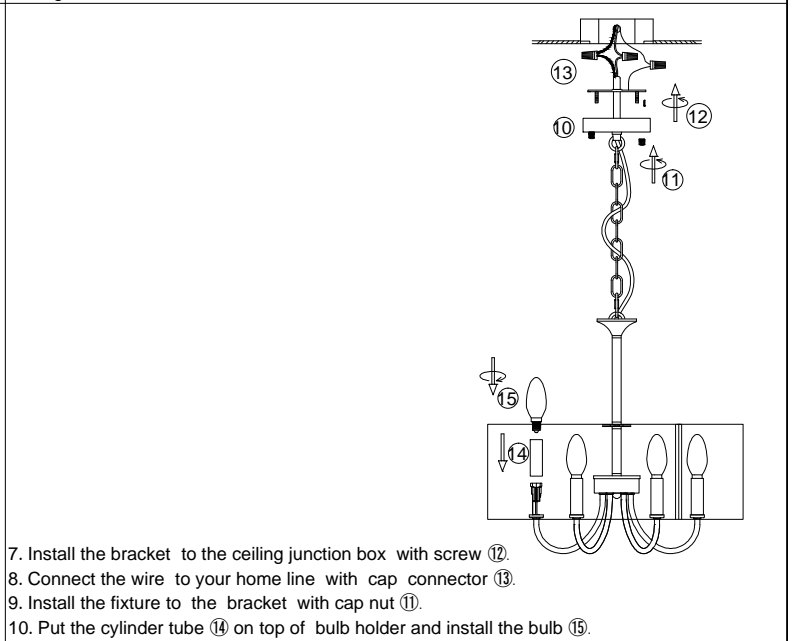
3. Adjust the light arm ④ to suitable position like picture shown.



4. Let the wire of fixture ③ go through the short hanging tube ⑥, rotate to fix the tube ⑥ to the fixture.
5. Let the wire go through the lampshade ① and long hanging tube ⑧, rotate to install both to the fixture ,let the wire go through the hanging ring ⑦, rotate to fasten the ring ⑦ to the fixture.



6. Hang the fixture to the canopy ⑩ with chain ⑨, let the wire go through the chain ⑨ and canopy ⑩ .



7. Install the bracket to the ceiling junction box with screw ⑫.
8. Connect the wire to your home line with cap connector ⑬.
9. Install the fixture to the bracket with cap nut ⑪.
10. Put the cylinder tube ⑭ on top of bulb holder and install the bulb ⑮.

Please read carefully before installation!!!
Note : Please make sure that the electricity is powered off during installation !
Only a professional electrician should install this kind of product !