

CARE AND MAINTENANCE

Store outdoor furniture indoors or cover well when not in use.
 Remove wooden furniture from standing water. Dust regularly with small brush or vacuum
 Spills should be taken care of immediately before they harden or stain with a slightly dampened sponge.

NOTICE

- * Please make sure that you have all parts indicated before you begin assembly of this item
- * This item should be assembled on a soft surface to prevent scratching the finish during assembly
- * This item may require periodic tightening





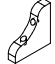







Weight Capacity : 600 Ibs

Warning : Do not stand on sun lounger

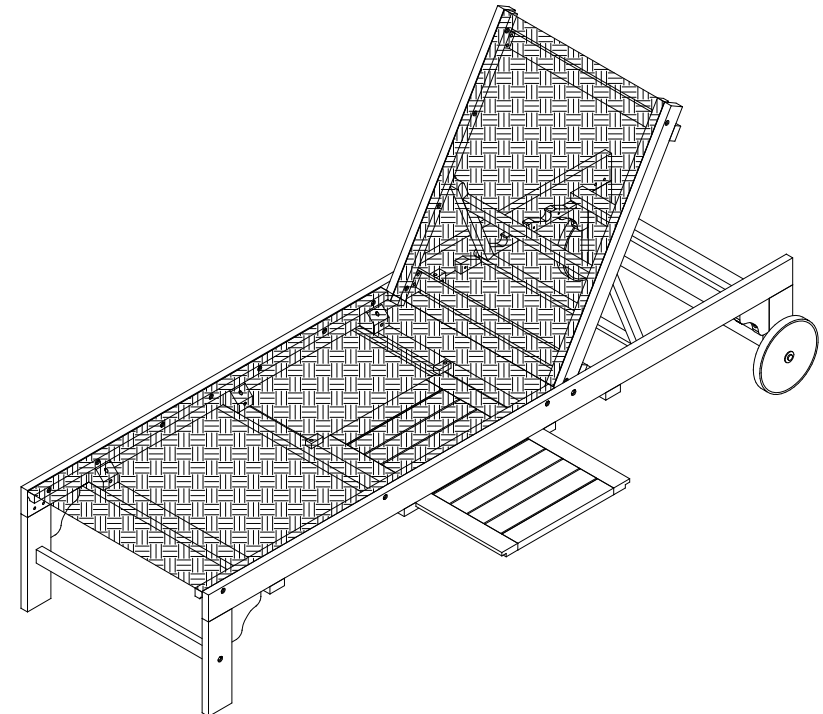
Warning : Do not over torque bolts / screws



Part List and Hardware List

PIECE	DESCRIPTION	PICTURE	QUANTITY
A	Seat Frame		1X
B	Front Leg		2X
C	Front Brace Bar & Back Brace Bar		2X
D	Back Leg		2X
E	Corner Block		4X
F	Driven Wheel		2X
G	Wheel Bar		1X
H	Screw	 M6x20	8X
I	Screw	 M6x50	14X
J	Washer	 Ø 6.5 x 20 x 2 mm	2X
K	Washer	 Ø 25 x 35 x 5 mm	2X
L	Allen key	 LG4	2X

Product Dimensions: 25.3" W x 81" D x 39.2" H



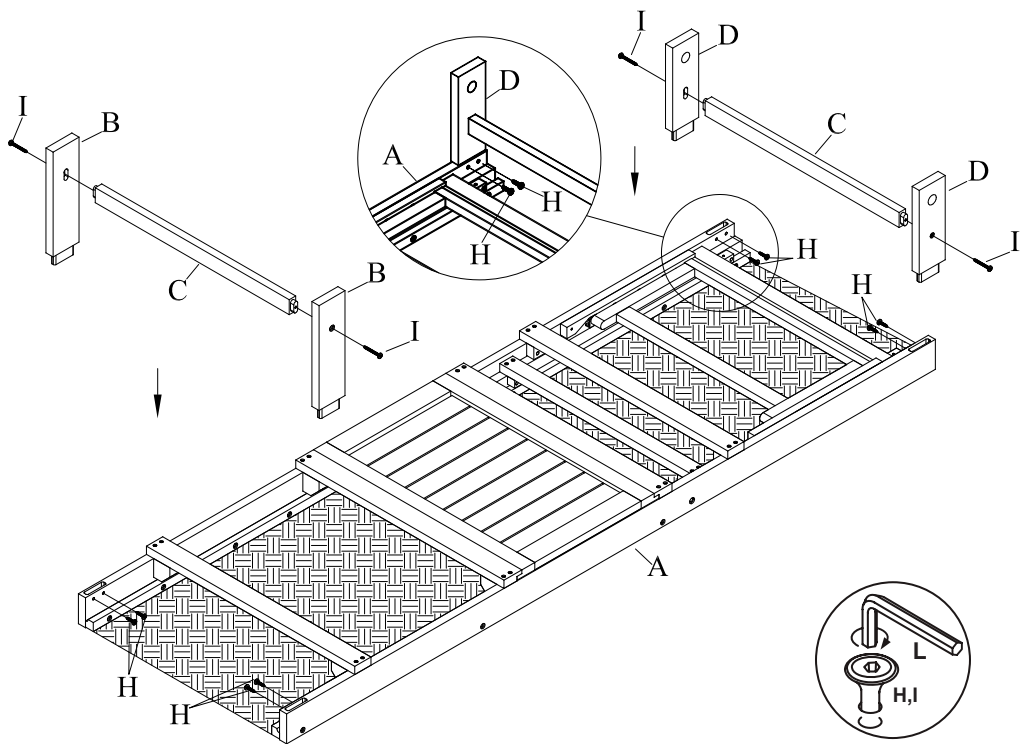
PREPARATION

Before beginning assembly of product, make sure all parts are present. Compare parts with package contents list and hardware contents list. If any part is missing or damaged, do not attempt to assemble the product.

Estimated Assembly Time: 10 minutes.

Tools Required for Assembly (included): Allen Key

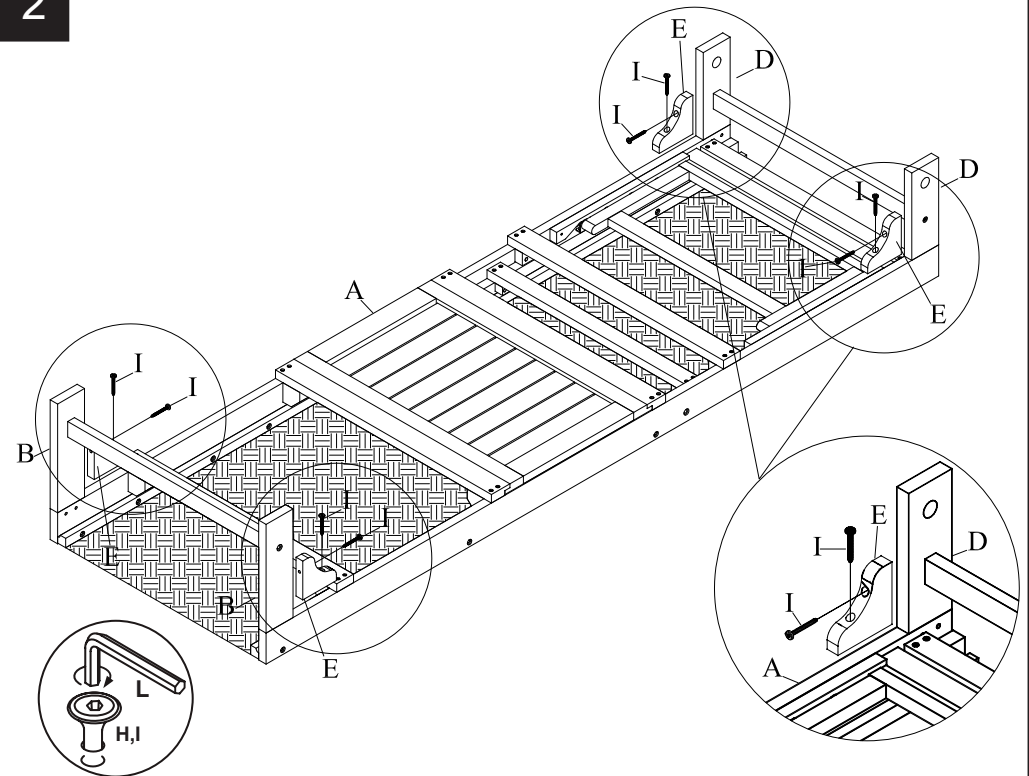
1



Step 1

Insert Front Leg (B) to Front Brace Bar (C) by using Screw (I), tighten with allen key (L). Then attach to the Seat Frame (A) by using Screw (H) tighten with allen key (L).

2



Step 2

Attach the Corner Block (E) to Front Leg (B), Back Leg (D) and Seat Frame (A) by using Screw (I) tighten with allen key (L).

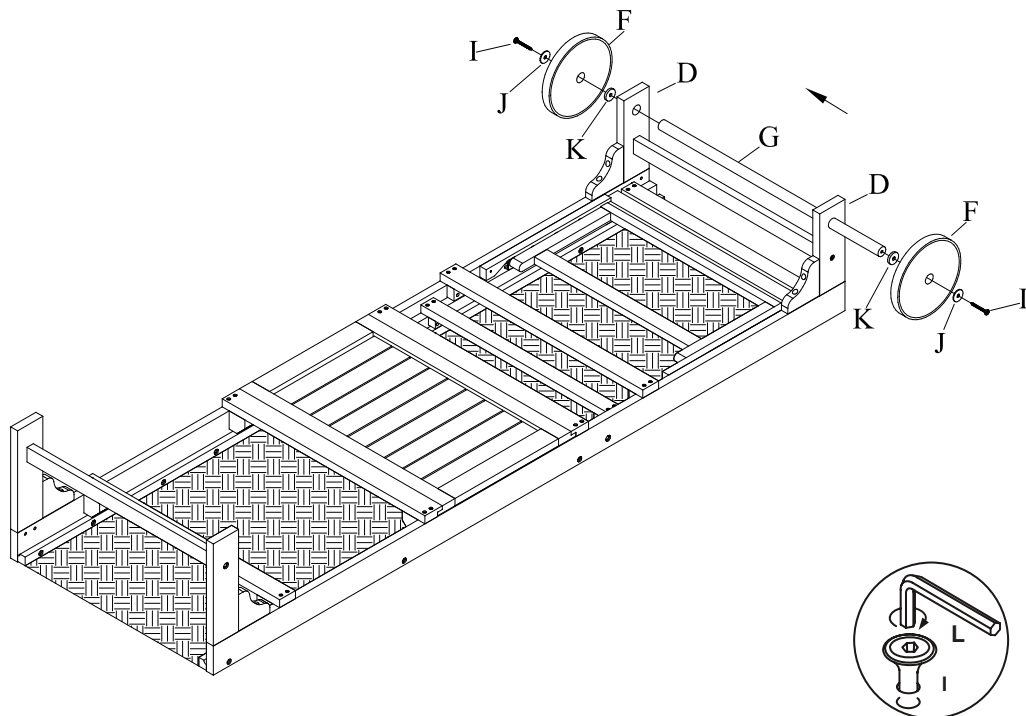
PREPARATION

Before beginning assembly of product, make sure all parts are present. Compare parts with package contents list and hardware contents list. If any part is missing or damaged, do not attempt to assemble the product.

Estimated Assembly Time: 10 minutes.

Tools Required for Assembly (included): Allen Key

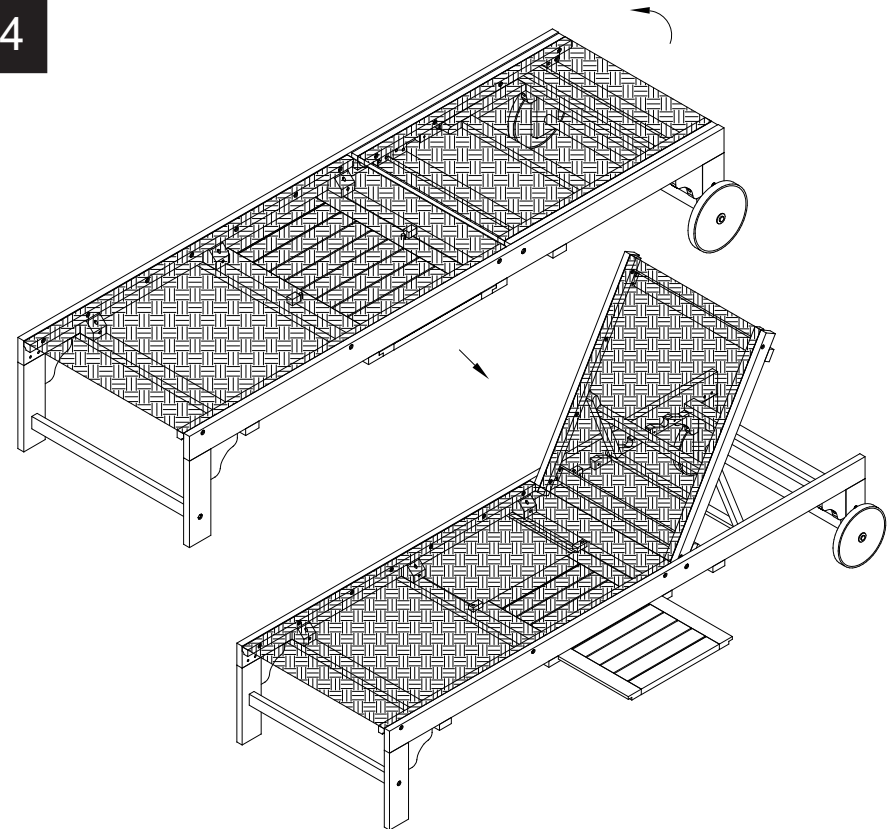
3



Step 3

Attach Wheel Bar (G) poke through to the Back Leg (D) use Washer (K) to attach to both ends of Wheel Bar (G), then attach the Driven Wheels (F) to the Wheel Bar (G) by using Screw (I) and Washer (J). Tighten with allen key (L).

4



Step 4

Caution: This Chair can only be used on a flat, level surface