

1-Light Vintage Hemp Rope Wall Sconce

Caution: Please turn off power before installation and read the manual carefully, we advise you contact professional electricians to install for safety purpose.

Product Features

Style: Farmhouse/Vintage/Rustic

Material: Metal, Hemp Rope

Color: Rusty Silver

Base Type: E12 Base

Light Source Included: NO

Voltage: 120VAC

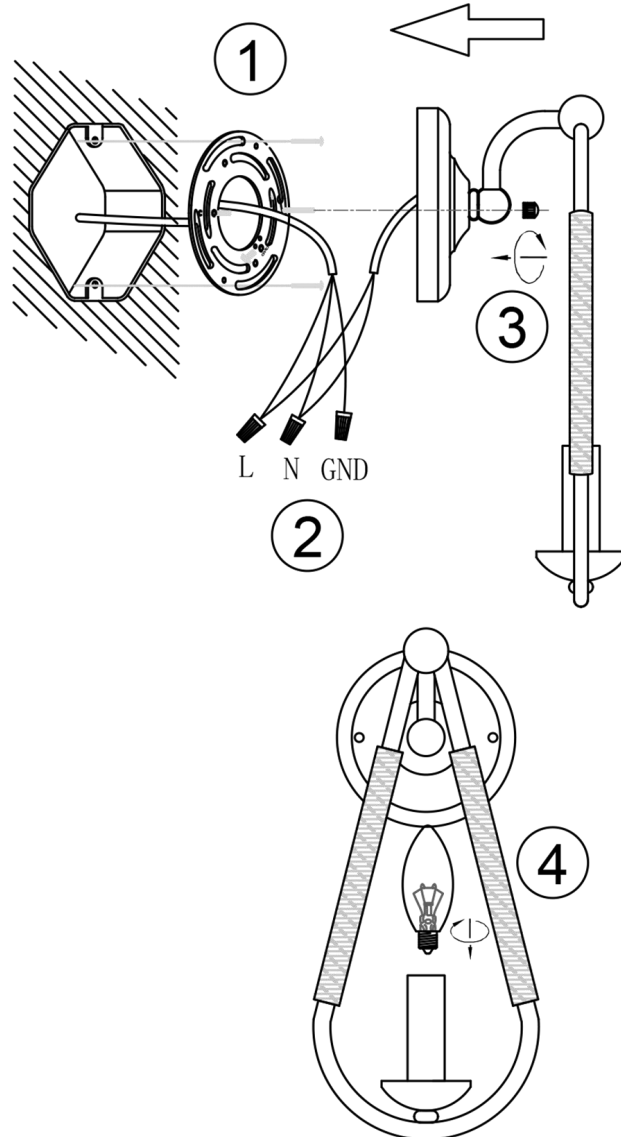
Wattage: 60W

Package includes

1 x Wall Light

1 x Accessories Kit

1 x User's Manual



Installation Instructions

1. Attach the mounting plate to the junction box using the provided screws.
2. Connect the fixture wires — neutral, live, and ground — to the corresponding wires in the junction box using wire nuts. Insulate all connections with electrical tape, then neatly tuck the wires into the junction box.
3. Position the canopy over the mounting plate, then secure it firmly with the decorative nuts.
4. Install the light bulb (not included) into the socket.

Note: please use this product accordingly to its intended purpose, do not retrofit or remodeling the product. The warranty does not cover if the failure is caused by the third party product, or natural disasters.