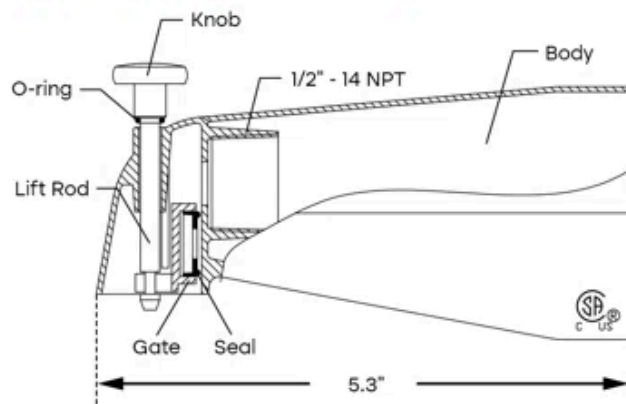


PRODUCT SPECIFICATION



TUB SPOUT DIVERTER

- Die-cast
- Details & instructions are included in the package:
- 3/4" Thread at base
- 1/2" Thread at base
- 1/2" Copper Slip
- 1/2" Thread at Nose

