

Sofa Assembly Instructions

Your sofa comes packaged in one box.









DO NOT use any sharp objects to open plastic wrapped components as damage to product or components may result.

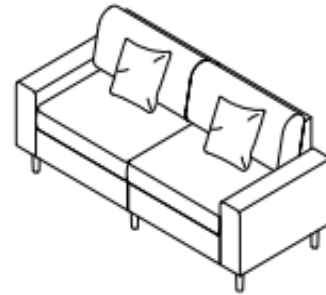
Carefully remove all of the components from the packaging and set aside for assembly. Assemble on a soft surface to prevent scratching the finish.

Estimated Assembly Time in Minutes

★ ☆ ☆
 <15 <45 60+

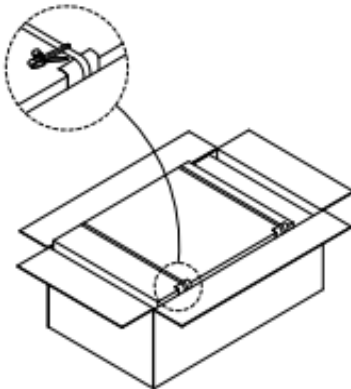
Parts List

A 1 x Left Seat		E 2 x Pillows	
B 1 x Right Seat		* F 6 x Legs	
C 1 x Left Backs		* G 6 x Washers	
D 1 x Right Backs		* H 2 x Bolts	
		* Replaceable Parts	

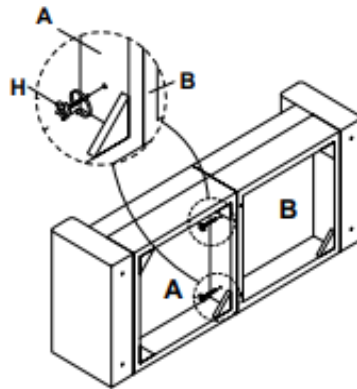


Assembly

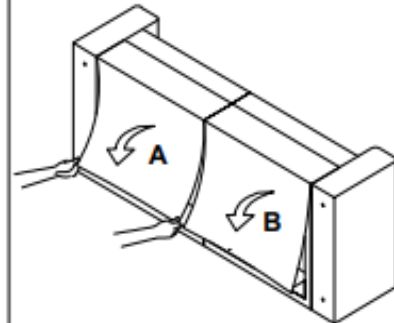
Step 1



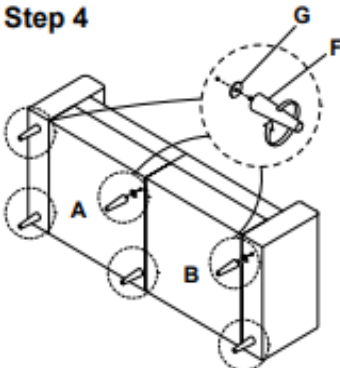
Step 2



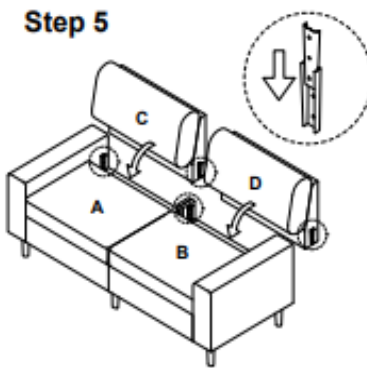
Step 3



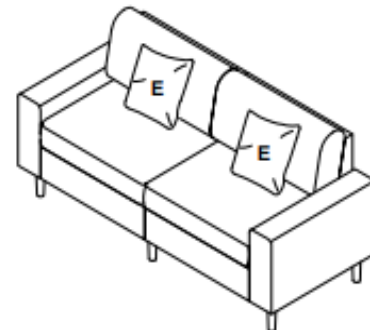
Step 4



Step 5



Step 6



Your style may differ from images. Care for your furniture by periodically tightening all legs.

About your furniture piece:

- Softening of foam is natural and will happen over time with use.
- Fabric will fade or discolor in direct sunlight. Minimize exposure to direct sunlight to extend the life of your furniture.
- Wood grain, knots, streaks, and color variation occur naturally in wood and are not considered defects.

CAUTION: Tighten all components securely before use. Failure to do so may result in personal injury.

Customer Support: 866-238-0531
 Mon-Fri 8:00am - 4:30pm CST
customerservice@furniturequestions.com

Chair Assembly Instructions

Your chair comes packaged in one box.




DO NOT use any sharp objects to open plastic wrapped components as damage to product or components may result.

Carefully remove all of the components from the packaging and set aside for assembly. Assemble on a soft surface to prevent scratching the finish.

Estimated Assembly Time in Minutes

★ ☆ ☆

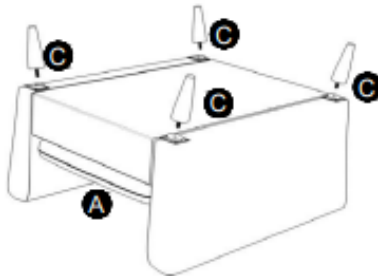
<15 <45 60+

Parts List	
A 1 x Seat 	* C 4 x Legs 
B 1 x Back 	* Replaceable Parts



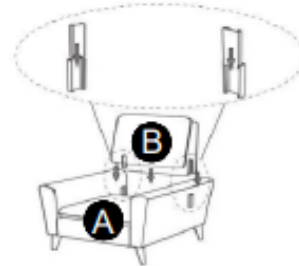
Assembly

Step 1



Step 2

Line up brackets. Push down hard on the back. Make sure bracket locks into place on both sides. There should be no gaps between the back and the seat.



Step 3



Your style may differ from images. Care for your furniture by periodically tightening all legs.

CAUTION: Tighten all components securely before use. Failure to do so may result in personal injury.

About your furniture piece:

- Softening of foam is natural and will happen over time with use.
- Fabric will fade or discolor in direct sunlight. Minimize exposure to direct sunlight to extend the life of your furniture.
- Wood grain, knots, streaks, and color variation occur naturally in wood and are not considered defects.

Customer Support: 866-238-0531
 Mon-Fri 8:00am - 4:30pm CST
customerservice@furniturequestions.com