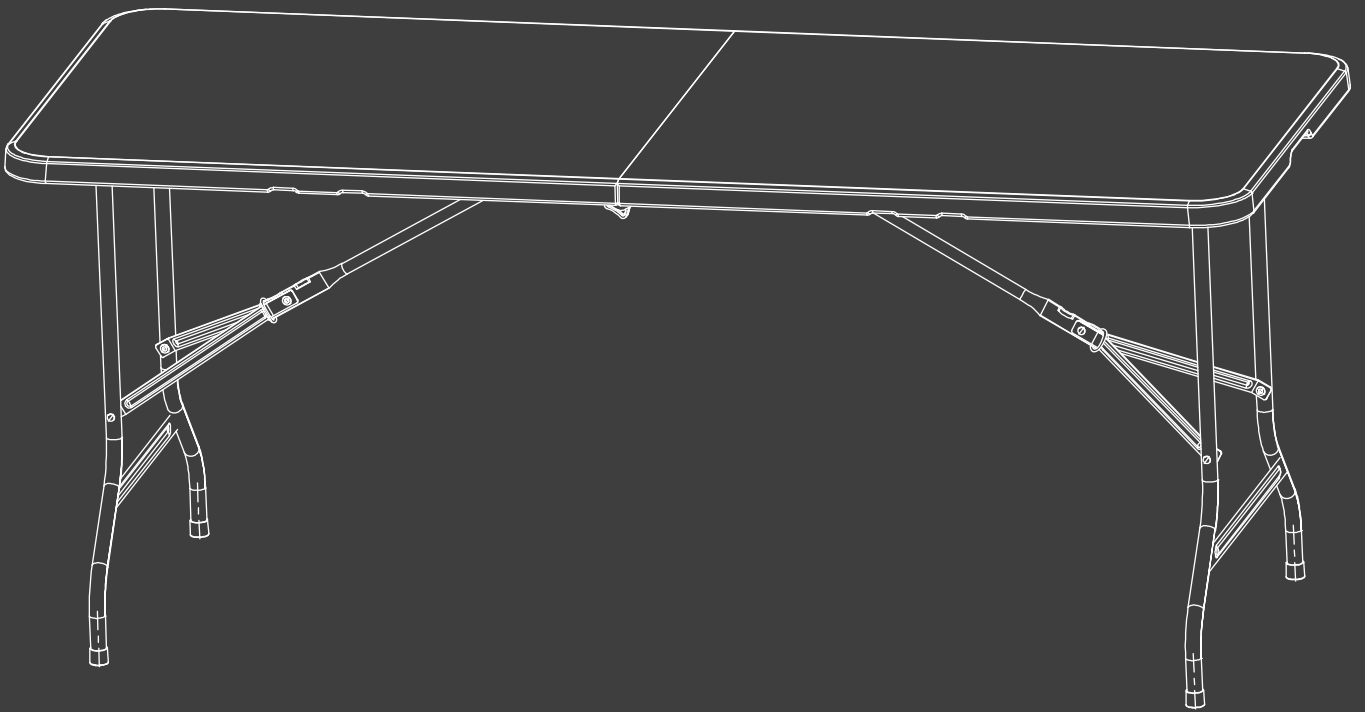


Folding Table

Instruction Manual

HW-ZDZ-6FT-WT



✉ HJ-Customer-Service@outlook.com

☎ (909)637-7665 | (909)637-7593

EST 9:00AM--17:00PM

WARNINGS:

Please don't exceed the max weight capacity (330lbs) as this may result in damage, injury or even life-threatening injuries.

It's recommended to wear a pair of gloves when folding and unfolding the table TO AVOID PINCHING HANDS.

Safety Notices

Danger to Life

- Never leave children unattended with packaging materials. Choking hazard.
- This product is not a climbing device or toy! Make sure that persons (especially children) do not stand or pull up on this product. The product may tip over.

Risk of Injury

- Verify the product is sufficiently stable before use.
- Place the product on a level surface.
- Watch your fingers when opening and closing. Risk of crushing injury.
- Before using the product, make sure the folding mechanism is properly locked in place.
- Before using the product, please make sure that the product is fully unfolded.
- This product should only be used under adult supervision and never as a toy.
- Check the product for damage and wear before every use.
- Never stand on the product.
- Never use the product near open fire.

Prevent Property Damage

- Secure the product in extreme weather, e.g. high wind. Store the product in protected areas.
- We assume no liability for accidents due to failure to observe the above safety notices or improper handling.

Cleaning and Care

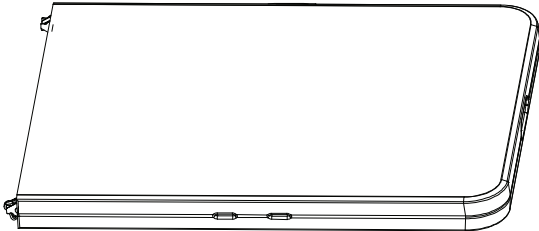
Care Information

- Clean items with a damp cloth and a mild detergent.

Storage

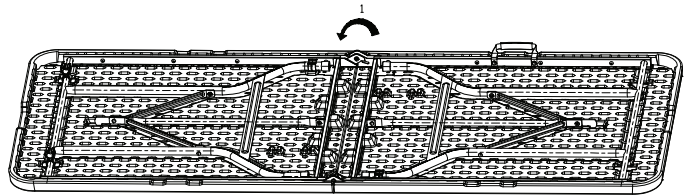
We recommend that you always store items in a dry, clean and temperature-controlled room in order to enjoy it as long as possible.

Step 1



Put the table on the ground.

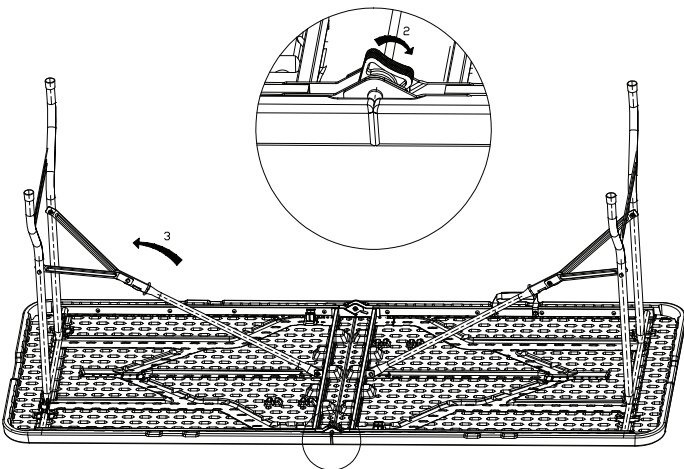
Step 2



Unfold the table. SEE ABOVE.

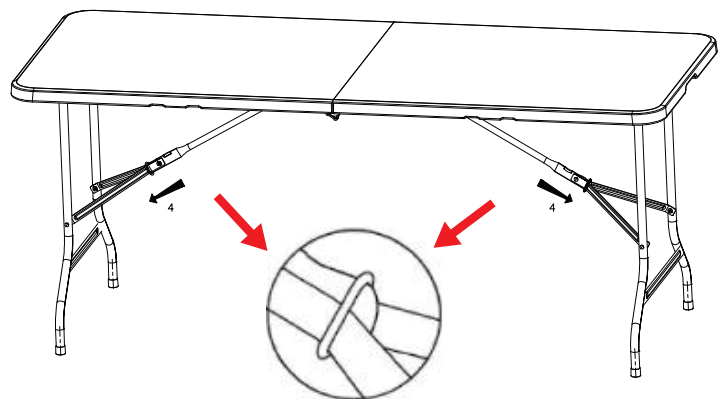
Step 3

Click the button to lock the unfold status.
Click the button again to release the
unfold status when you fold the table.

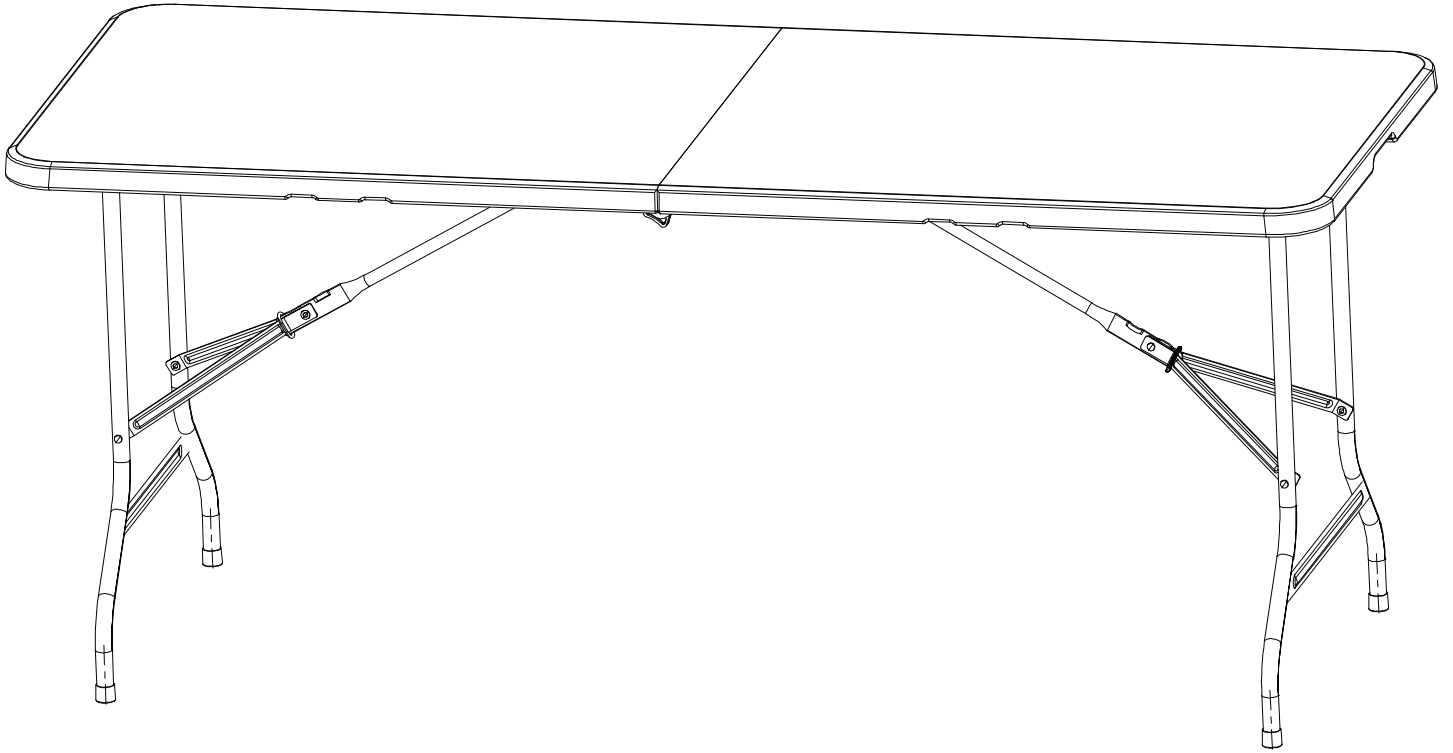


Step 4

Unfold the legs and pull the hinge straight.
Press the hinge loose when you fold the table.



Put the legs on the ground.
The ring will get stuck in the
knob automatically.



Technical Support

(909)637-7665 | (909)637-7593

Other Info

HJ-Customer-Service@outlook.com

Thank you for choosing this product. We strive to provide you with the best quality products and services in the industry. Should you have any issues, please don't hesitate to contact us.