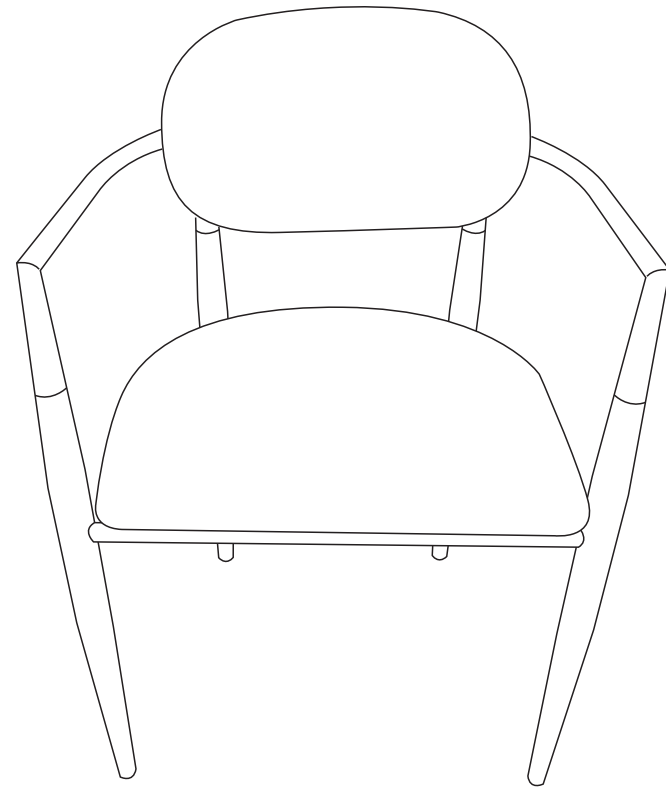
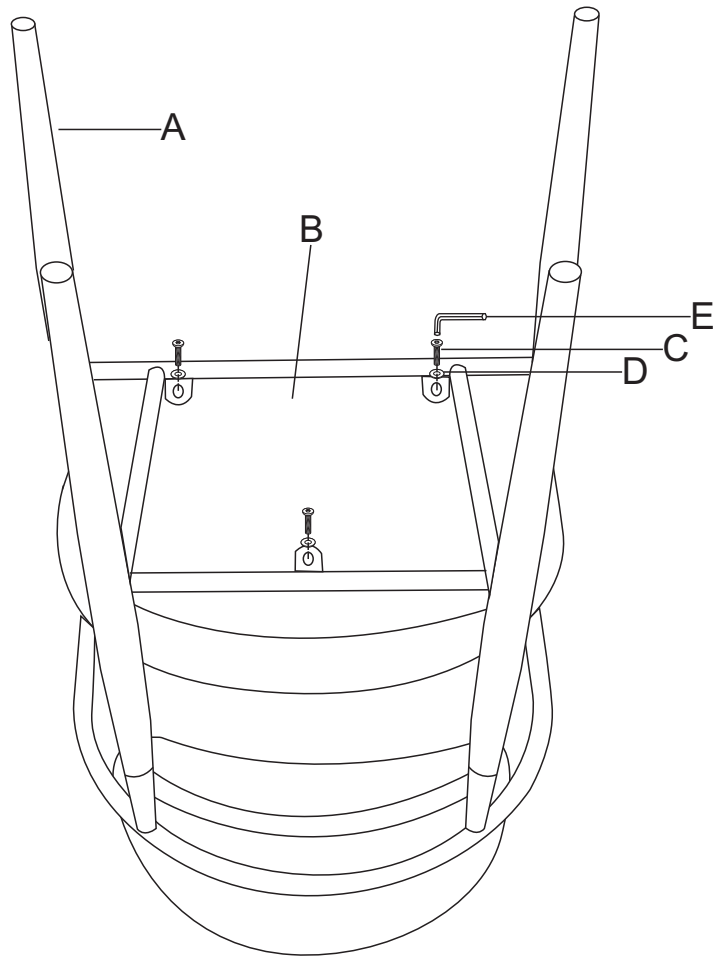
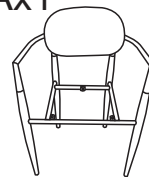


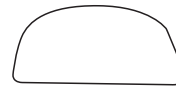
ASSEMBLY INSTRUCTION



Ax1



Bx1



Cx3



Dx3



Ex1

