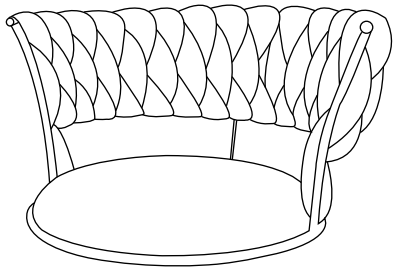
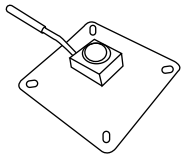


ASSEMBLY INSTRUCTION

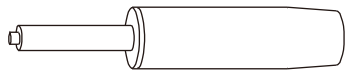
Ax1



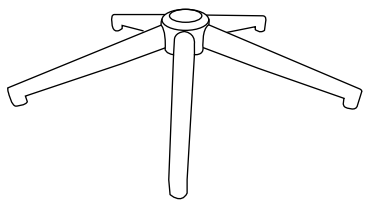
Bx1



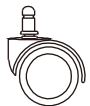
Cx1



Dx1



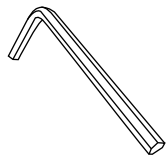
Ex5



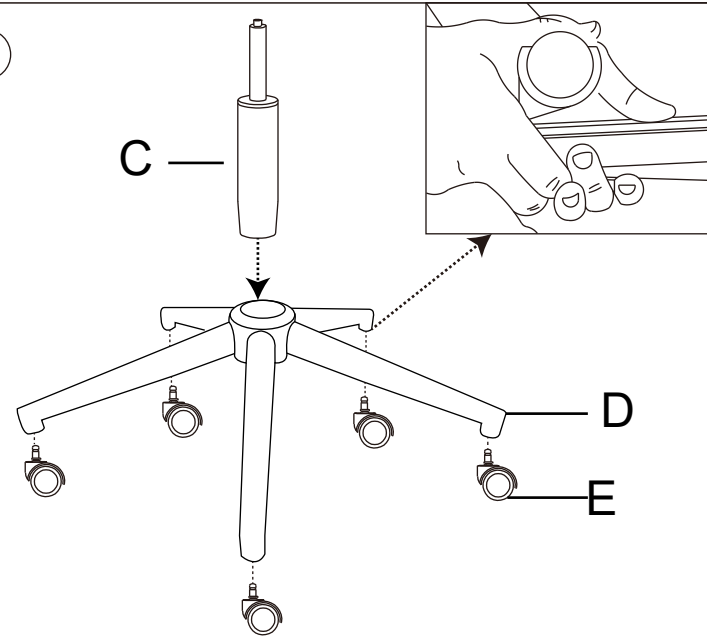
Fx4



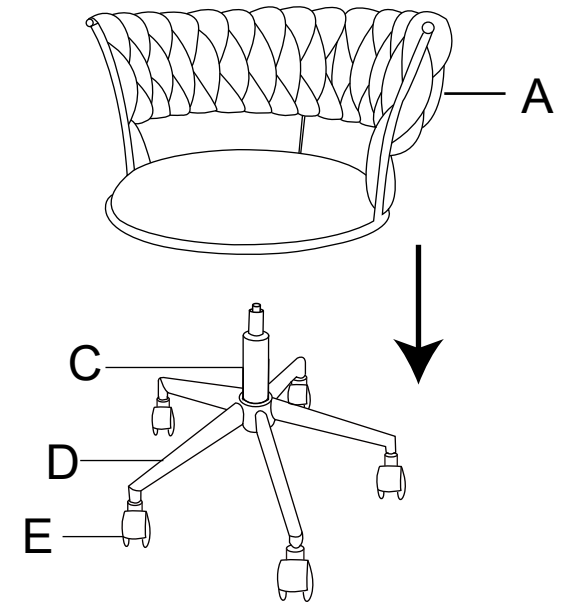
Gx1



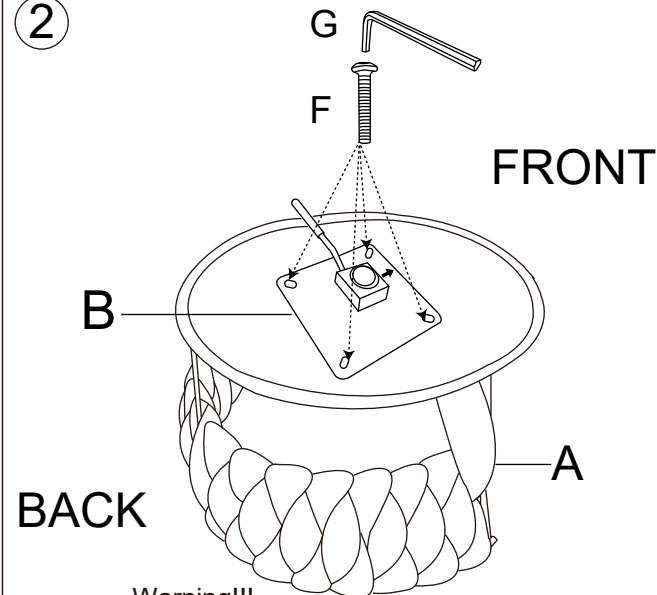
①



③



②



BACK

FRONT

Warning!!!
PUT ALL SCREWS IN THE HOLE,
THEN TIGHTEN ONE BY ONE.

