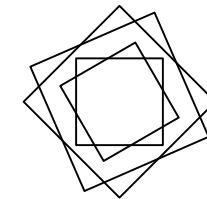
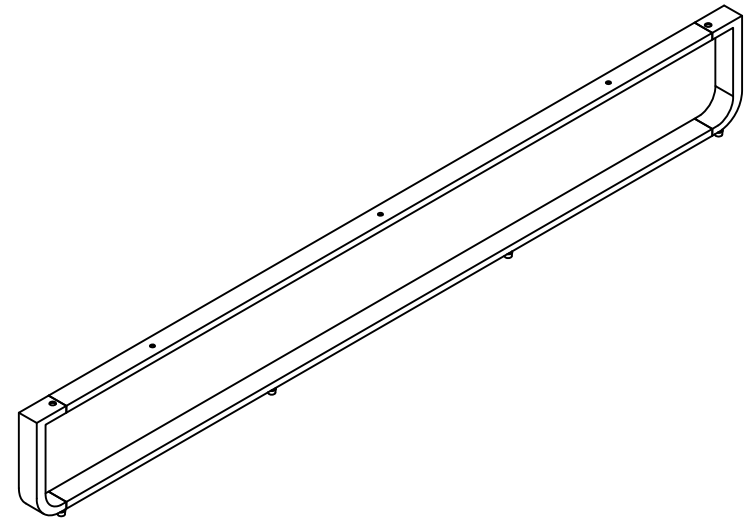


Installation Manual-BV B12948D

MOTIVATE  
YOUR LIFE !

## THANKS FOR WATCHING

Your feedback is invaluable to us and we would love to hear about your experience. Please take the time to leave us a review.





## Thank you for shopping with us!

We encourage you to take a few minutes to go through this booklet. It contains important information on installation and care tips to keep your furniture looking as good as new.

Item NO.:BV B12948D

Hardware

NO.	Draw	QTY	NO.	Draw	QTY
A	 Screws M4x8mm	4	B	 Adjustable feet	4

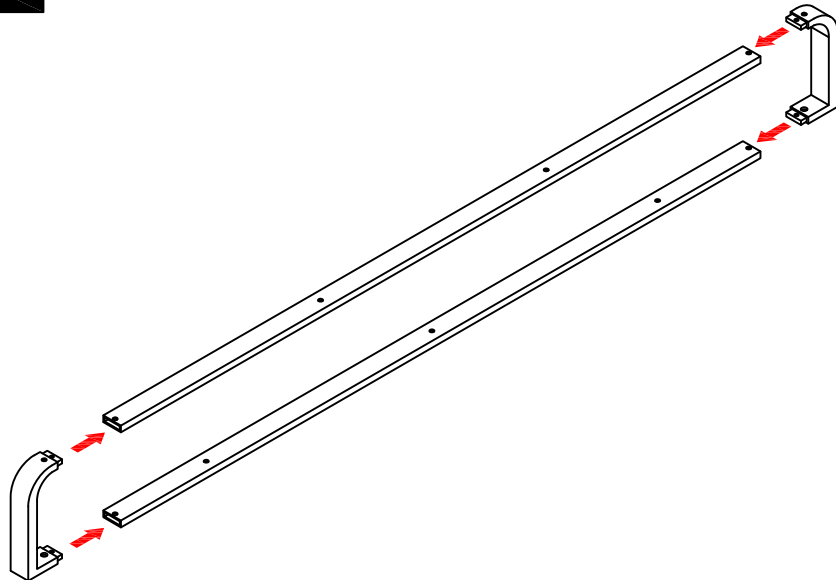
Recommended tools



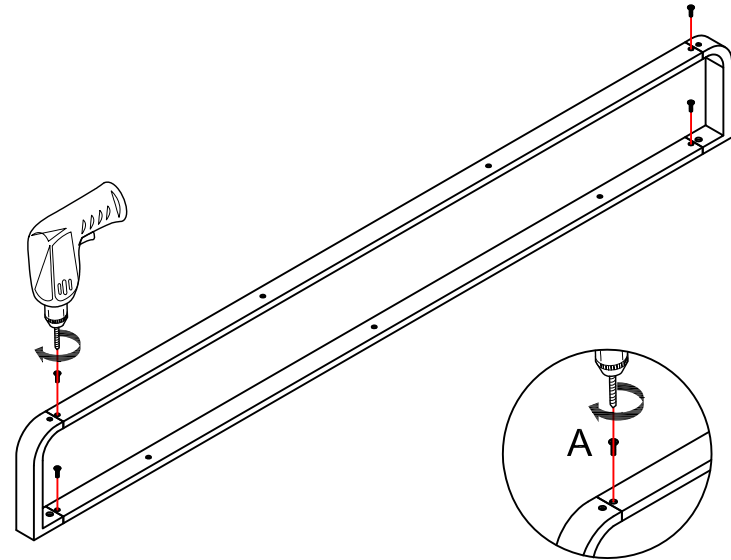
CARE CLEANING AND MAINTENANCE


- 1.Dust regularly with a soft , dry cloth.
- 2.Avoidthe use of all chemicals household cleaners, abrasives, or cleaners that contain lemon, vinegar, or other acids that may damage the finish.

Step 1



Step 2



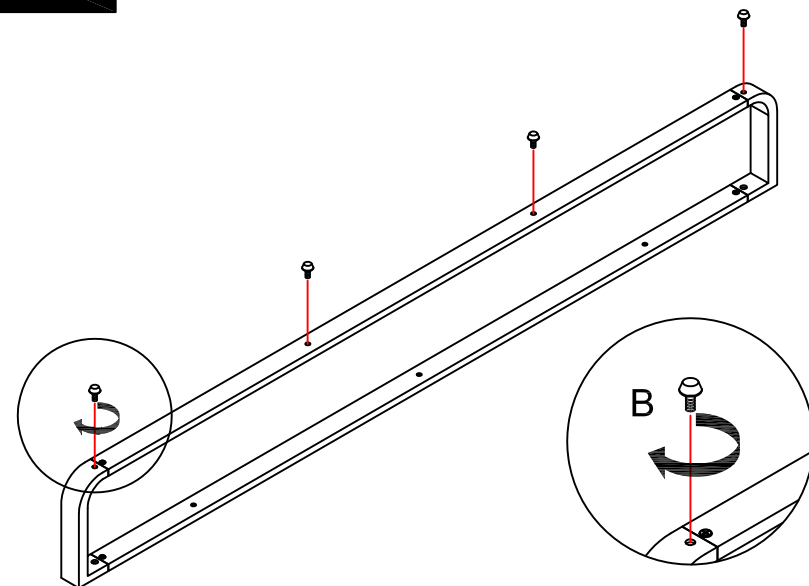
 x4


A



Tool

Finished



 x4

B