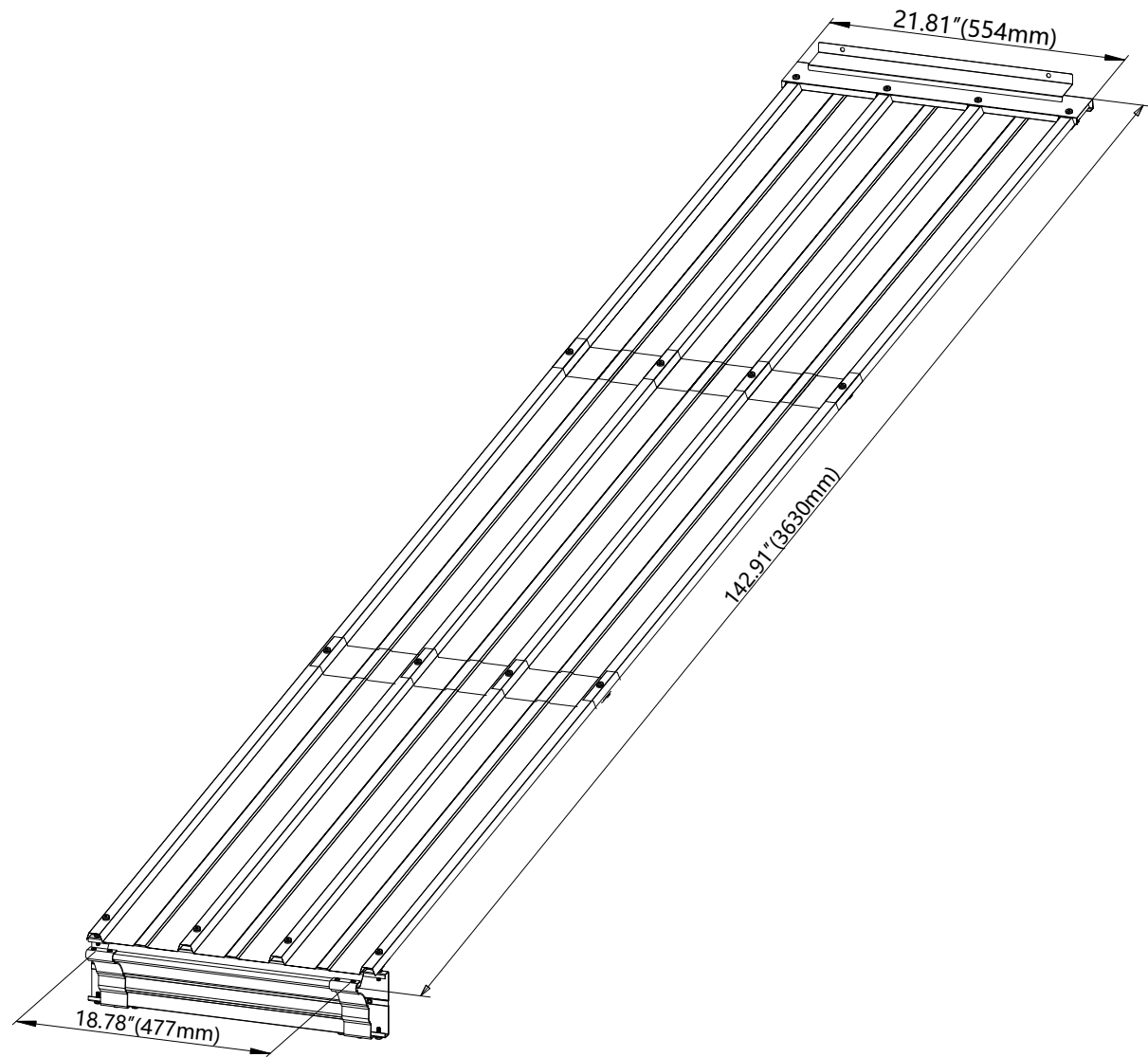
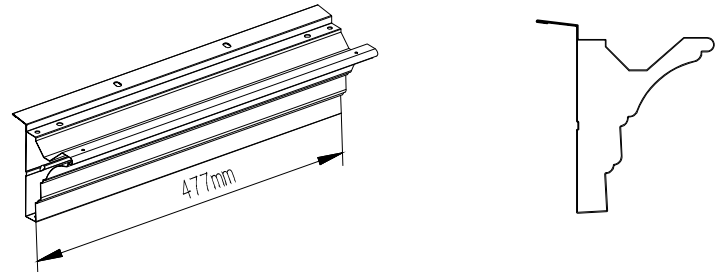
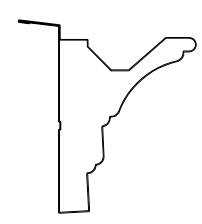
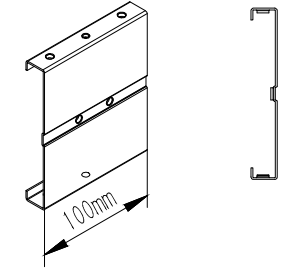
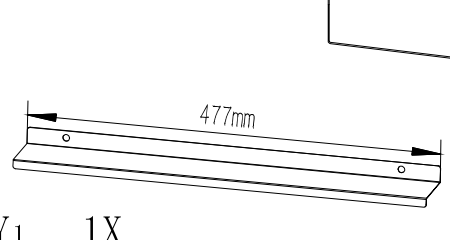
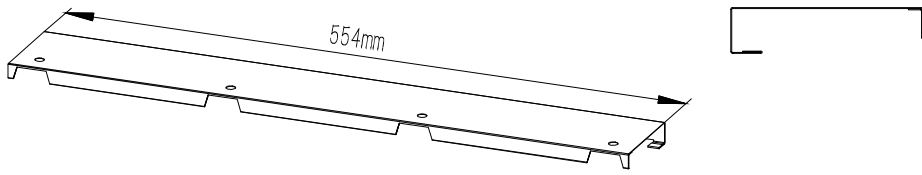
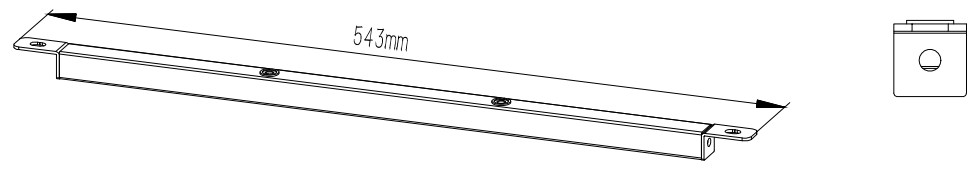
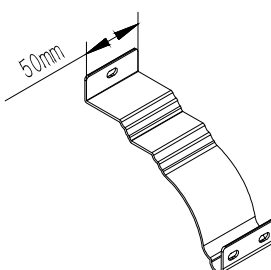
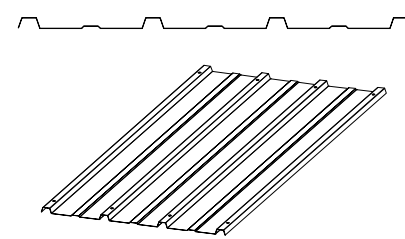
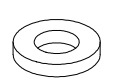
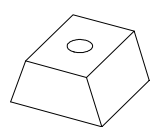
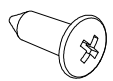
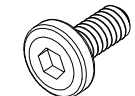
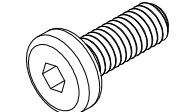
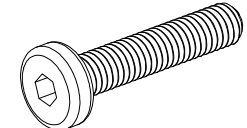
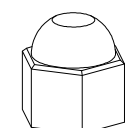
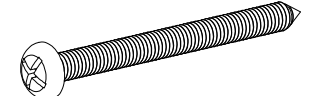
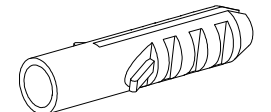
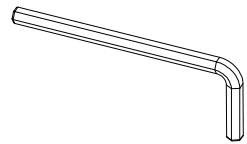



**SKU: LGCF1705**

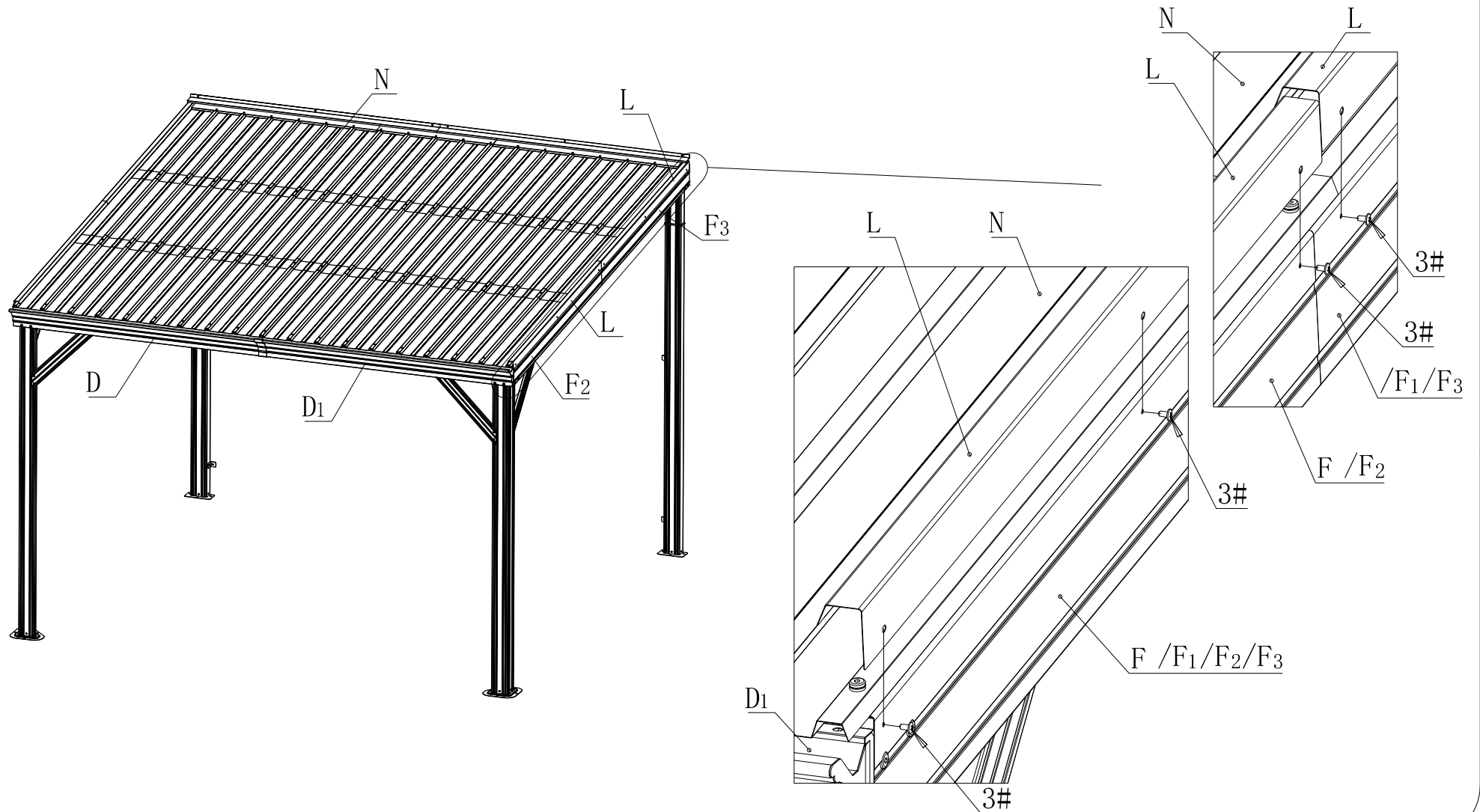
**ROOF CONNECTOR KIT FOR WALL-  
MOUNTED GAZEBO**

## Assembly Manual

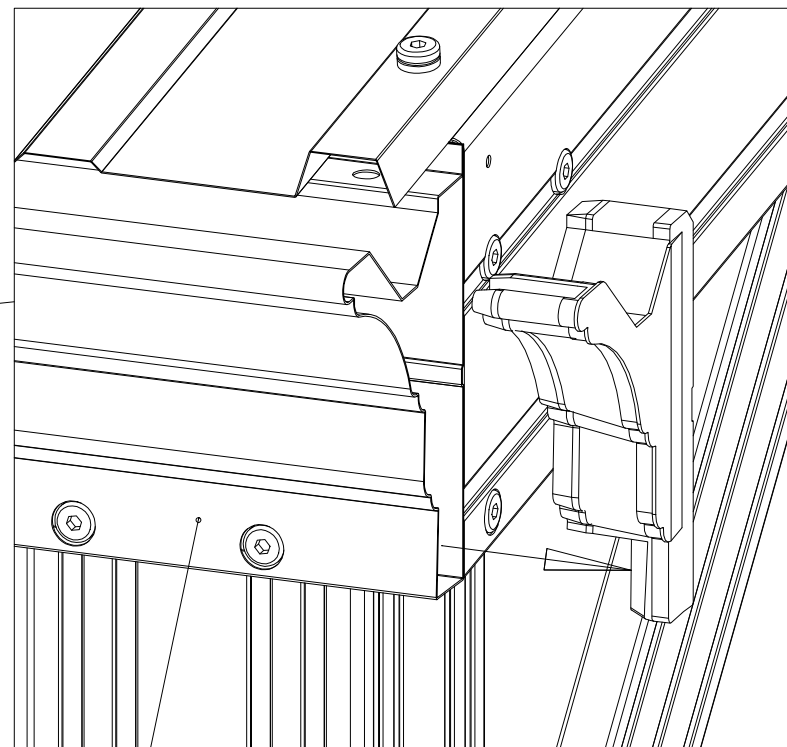
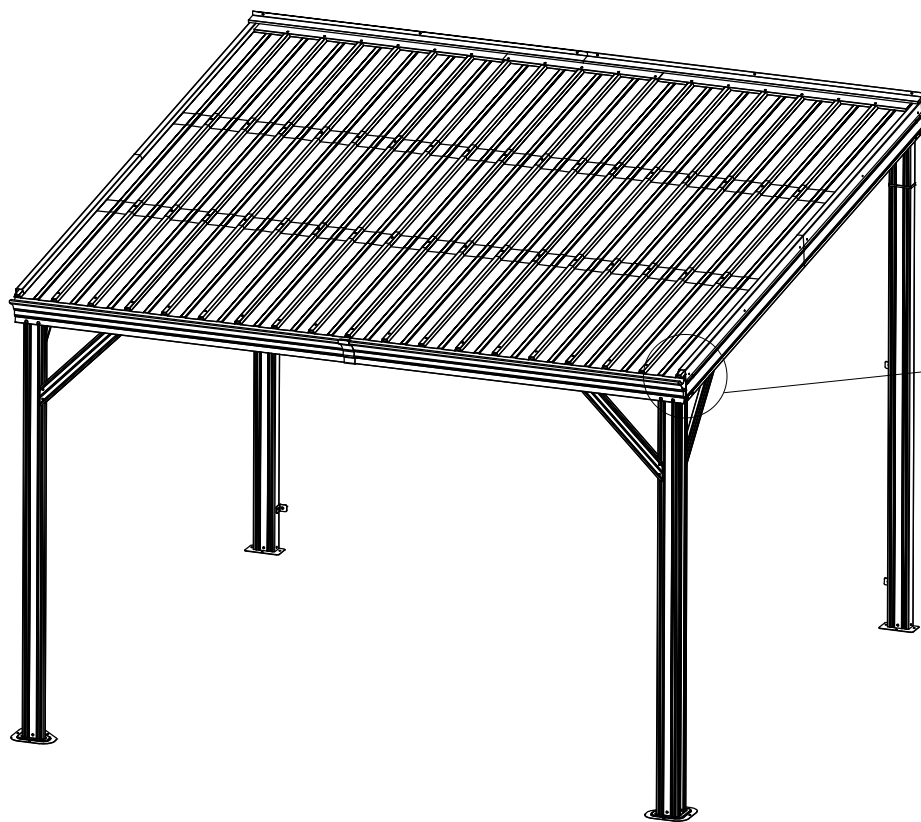


|   |  |  |  |  |
|---|--|--|--|--|
| <p>X1 1X</p>             |                       | <p>X2 2X</p>                 | <p>Y1 1X</p>           |  |
| <p>Y2 1X</p>            | <p>Z1 3X</p>        |  |  |  |
| <p>D4 2X</p>             | <p>N 3X</p>          | <p>S1 16X D12/d6. 2*H2</p>  | <p>S 16X</p>          |  |
| <p>1# 4X ST4.8*13</p>  | <p>2# 4X M5*12</p>  | <p>3# 10X M6*16</p>         | <p>4# 16X M6*30</p>  | <p>5# 6X M6</p>  |
| <p>6# 2X ST6*70</p>    | <p>7# 2X</p>        | <p>8# 1X S4</p>           | <p>9# 1X S13</p>    |  |

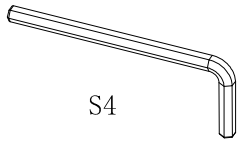
Remove the side roof cover (#L) on the left/right side of the gazebo that needs to be connected.  
Please follow the instruction below.



Remove the end cap from one side of the front beam of the gazebo that needs to be connected.



D / D1



S4

8#

1X

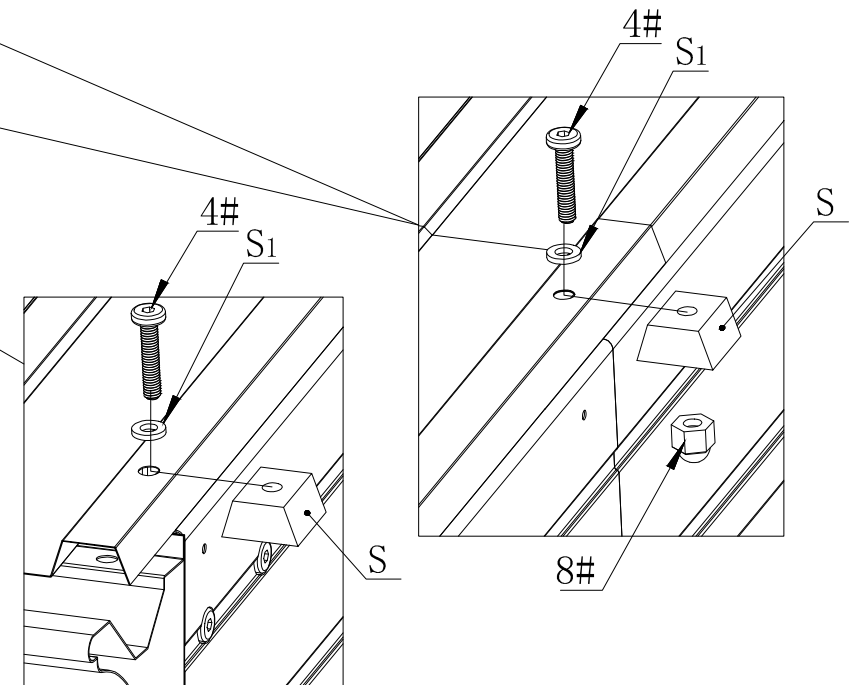
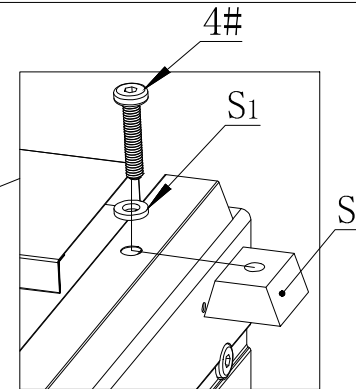
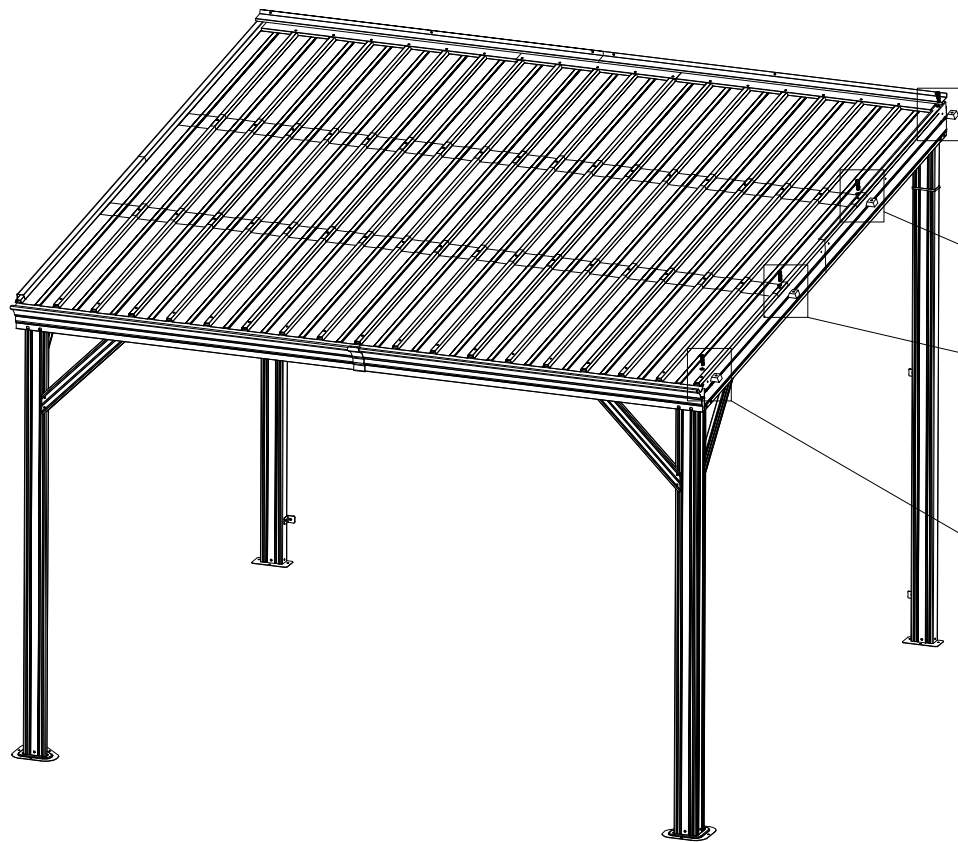


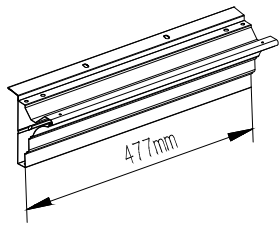
S13

9#

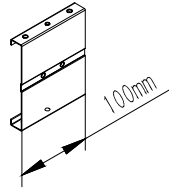
1X

Remove the screws (4#/8#/#S/#S1) on the side roof panels.





X1 1X

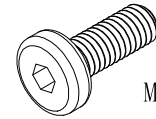


X2 2X



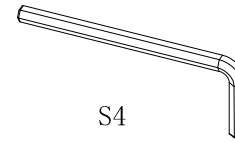
M5\*12

2# 2X



M6\*16

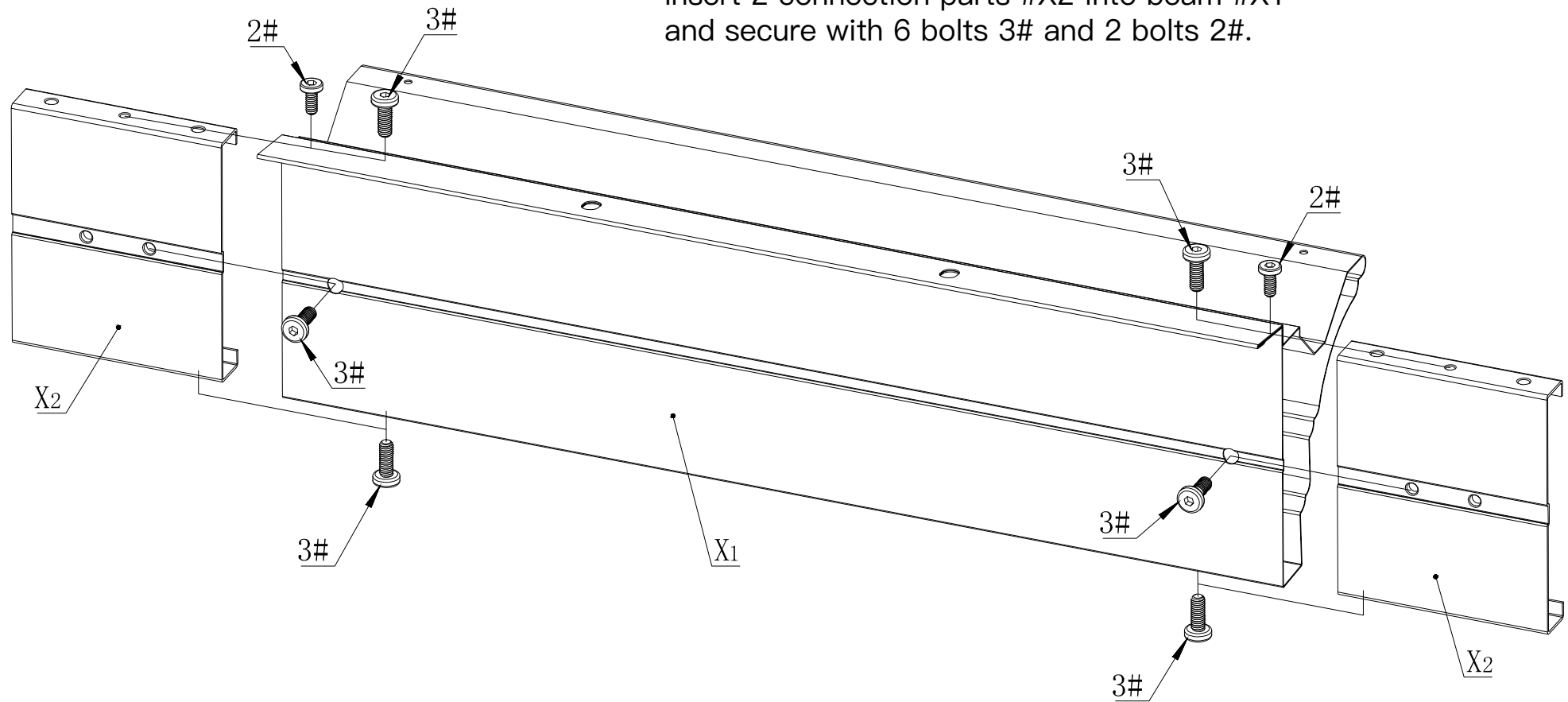
3# 6X

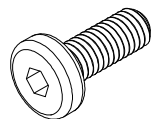


S4

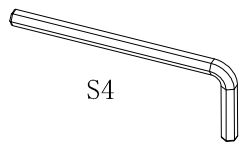
8# 1X

Insert 2 connection parts #X2 into beam #X1 and secure with 6 bolts 3# and 2 bolts 2#.





M6\*16



S4

Note: Please ensure the roof panels on the right gazebo are NOT installed before assembly as you may need to stand under it.  
Connect #D1 and #X1 with 2 bolts 3#.

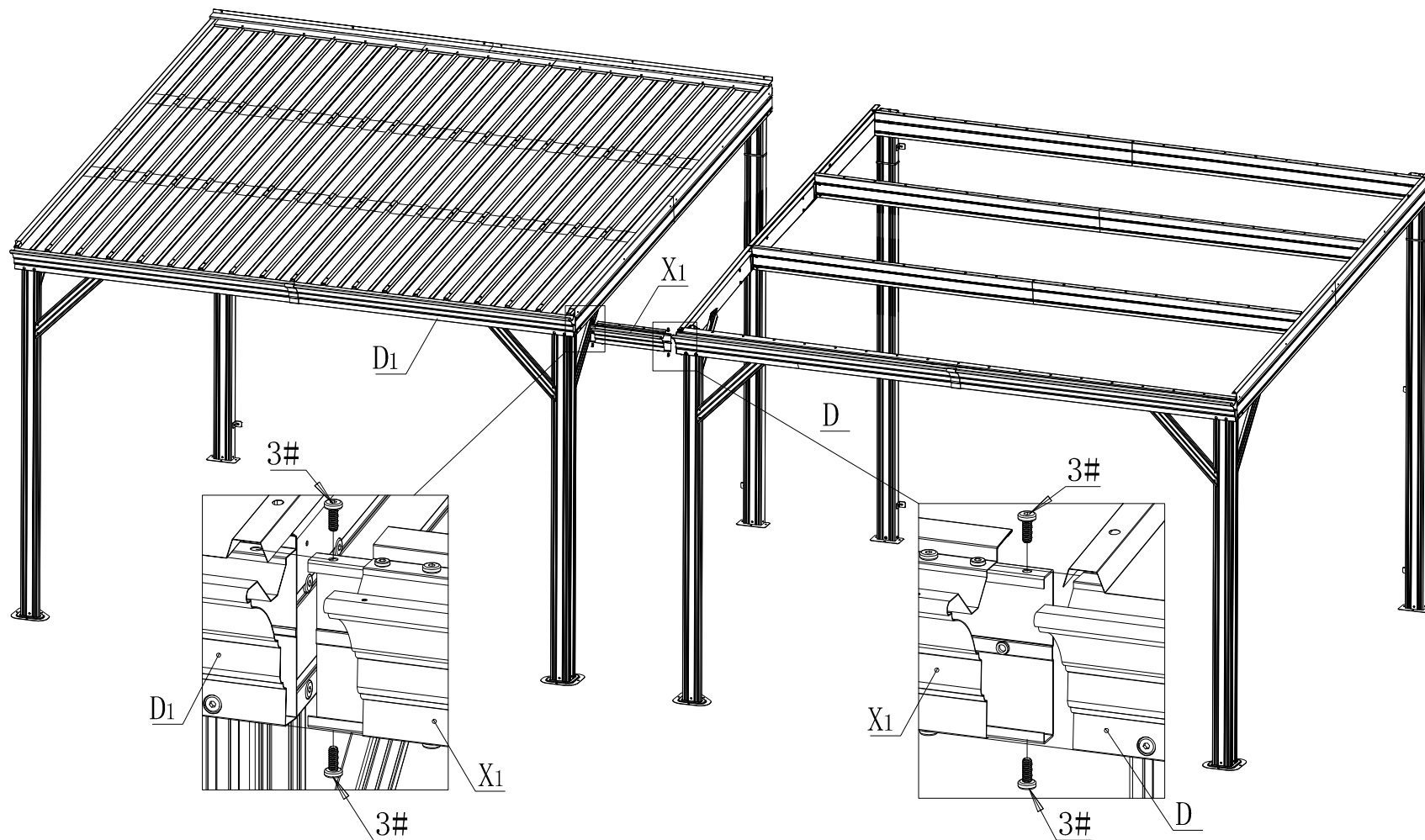
3#

4X

8#

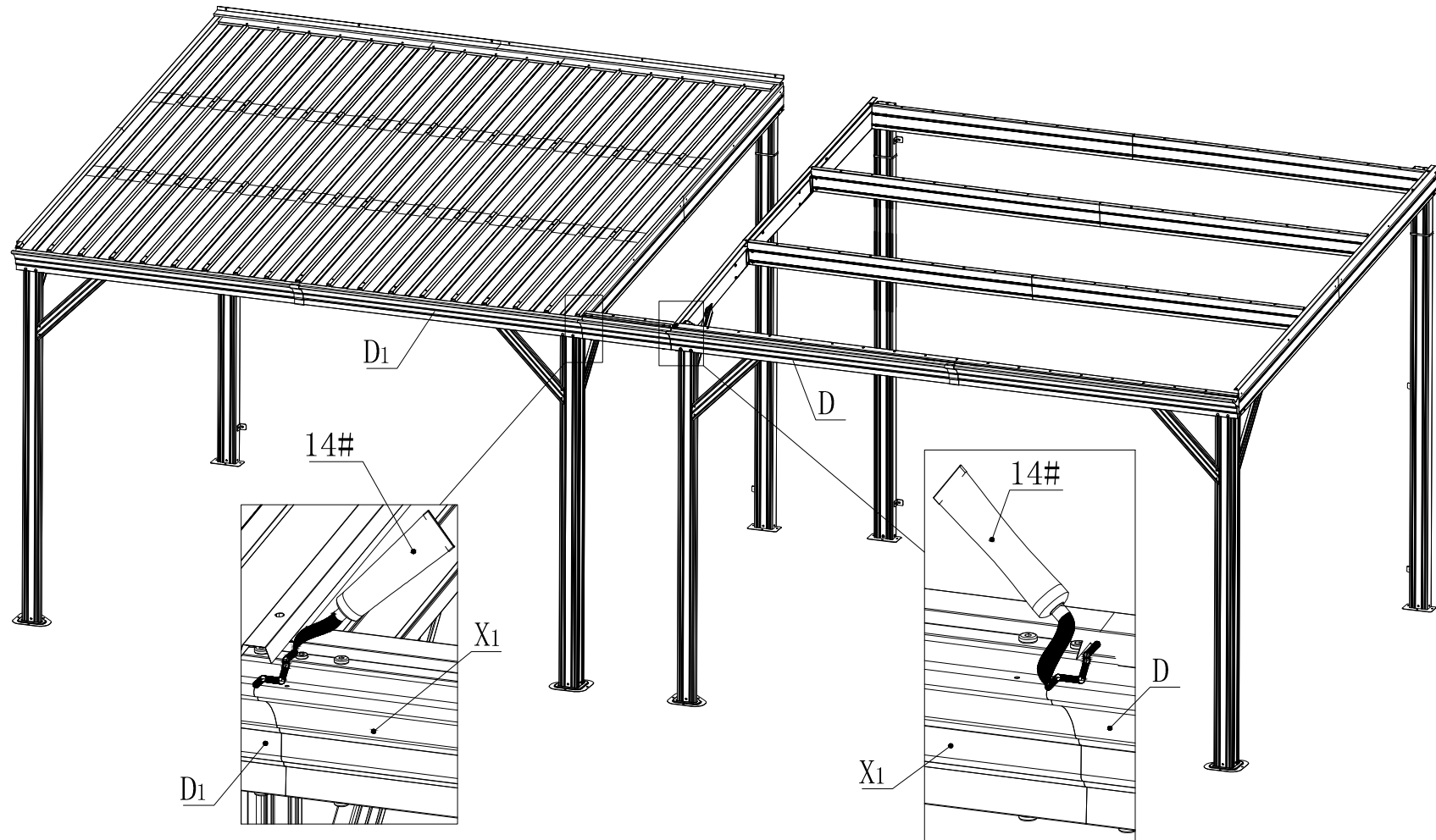
1X

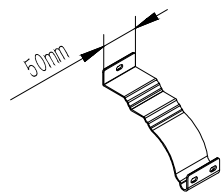
Repeat above procedure on #D and #X1.



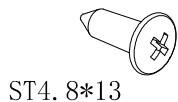
Apply silicon sealant 14# to the connection point between #D1 and #X1.

Repeat the above procedure on #D and #X1.





D4 2X



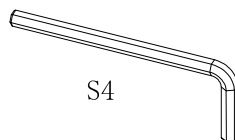
ST4. 8\*13

1# 4X



M5\*12

2# 2X

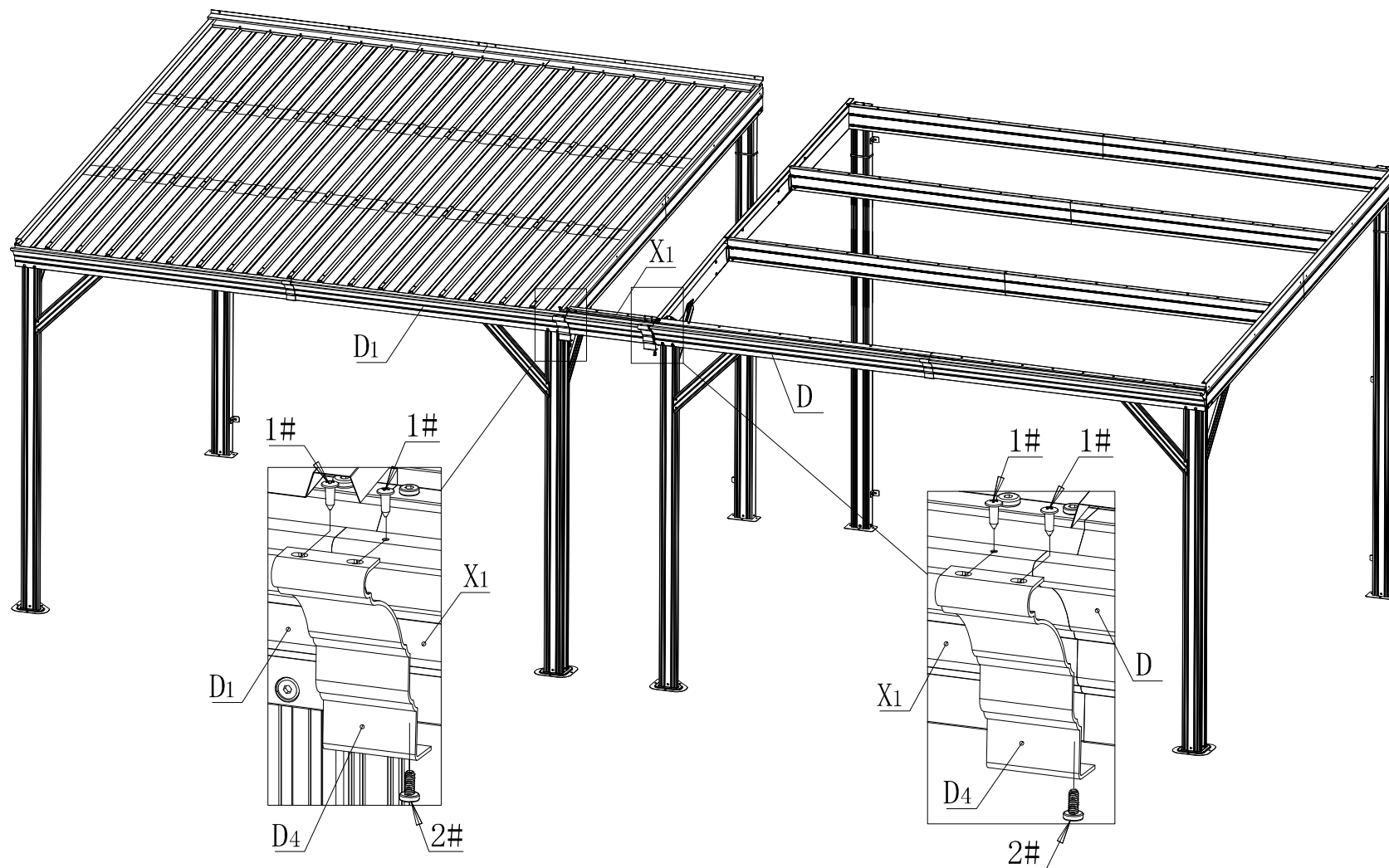


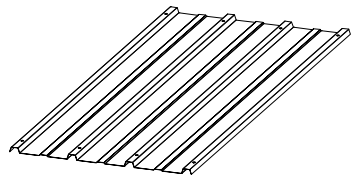
S4

8# 1X

Attach bracket #D4 to the connection point between #X1 and #D1, using 2 screws 1# and 1 bolt 2# to secure it.

Repeat above procedure on #D and #X1.

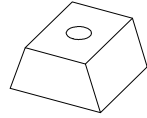




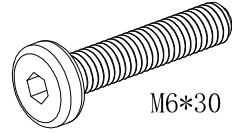
N 1X



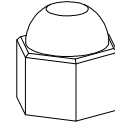
S<sub>1</sub> 4X



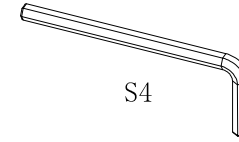
S 4X



4# 4X



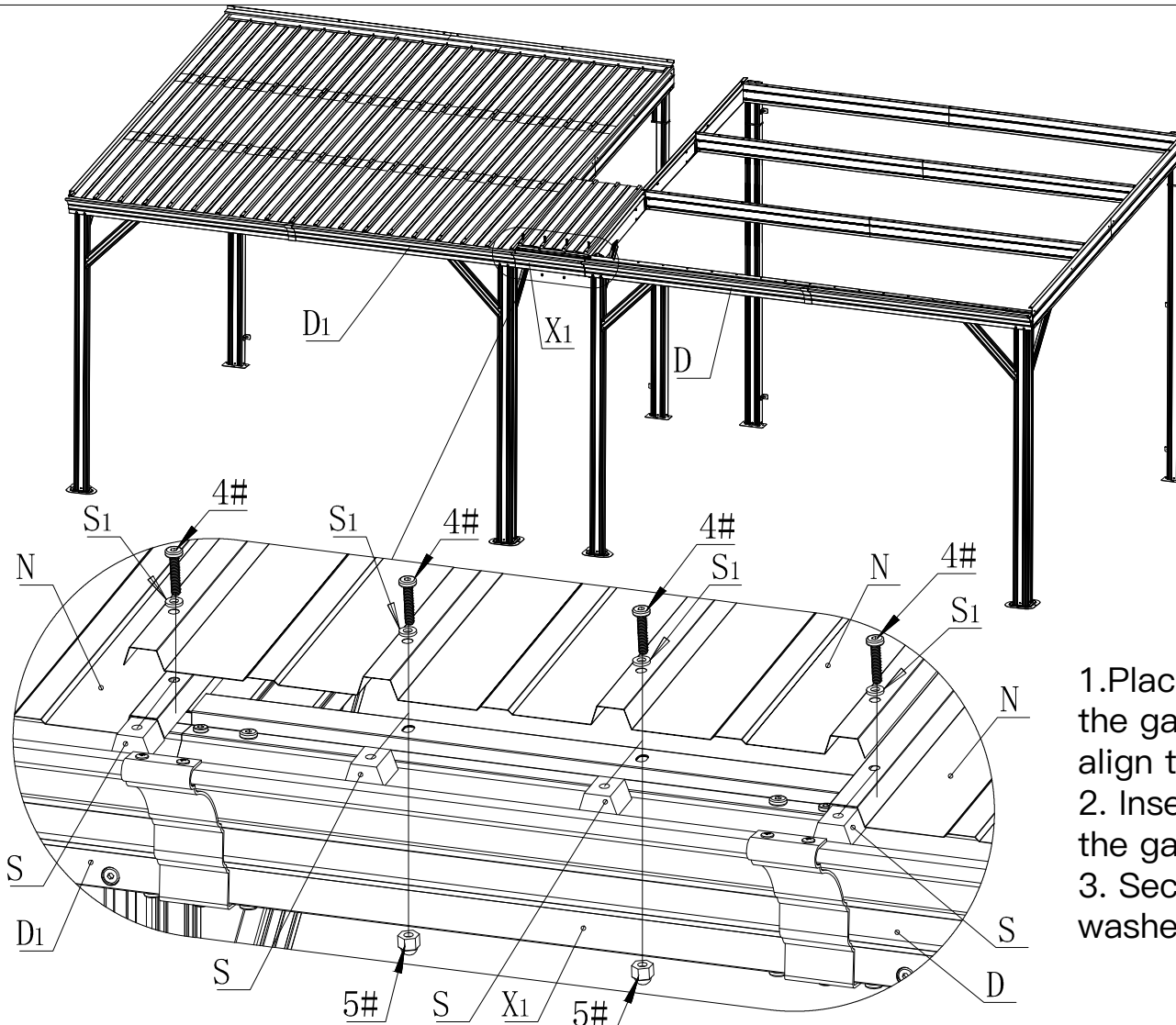
5# 2X



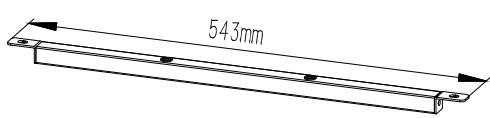
S<sub>4</sub> 1X



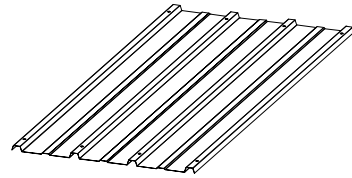
S<sub>13</sub> 1X



1. Place roof panel #N between the gap of the two gazebos and align the holes with beam X1.
2. Insert rubber spacer #S into the gap between #X1 and #N.
3. Secure #X1 and #N with washer #S1, bolts 4# & Nuts 5#.



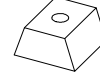
Z1 1X



N 1X



S1 4X



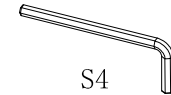
S 4X



4# 4X



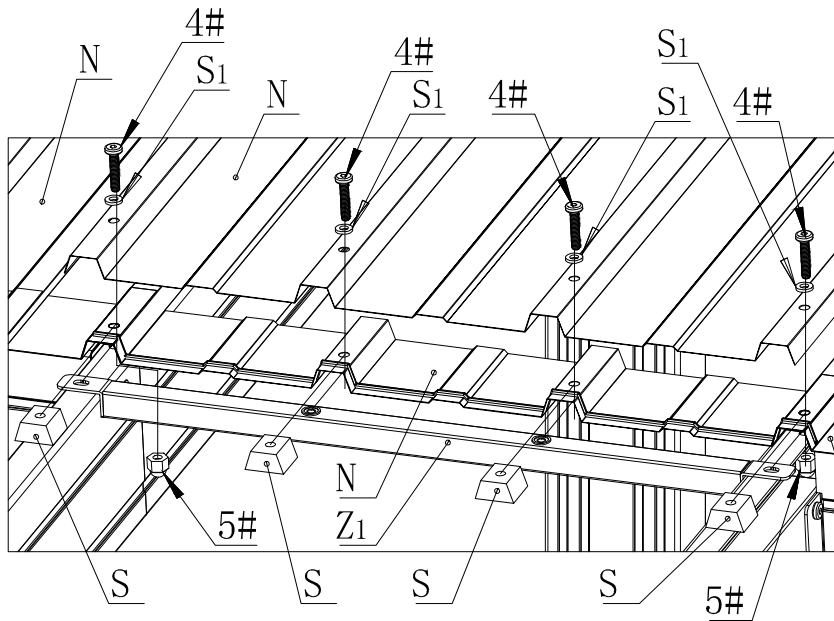
5# 2X



8# 1X

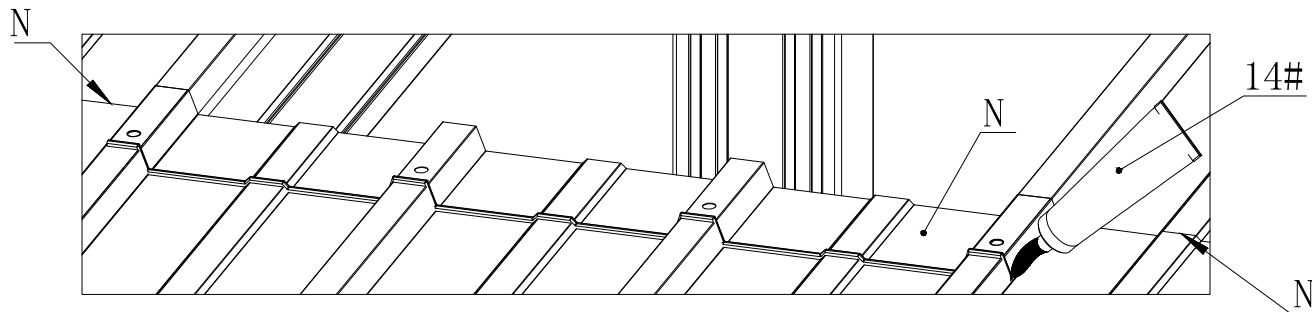


9# 1X

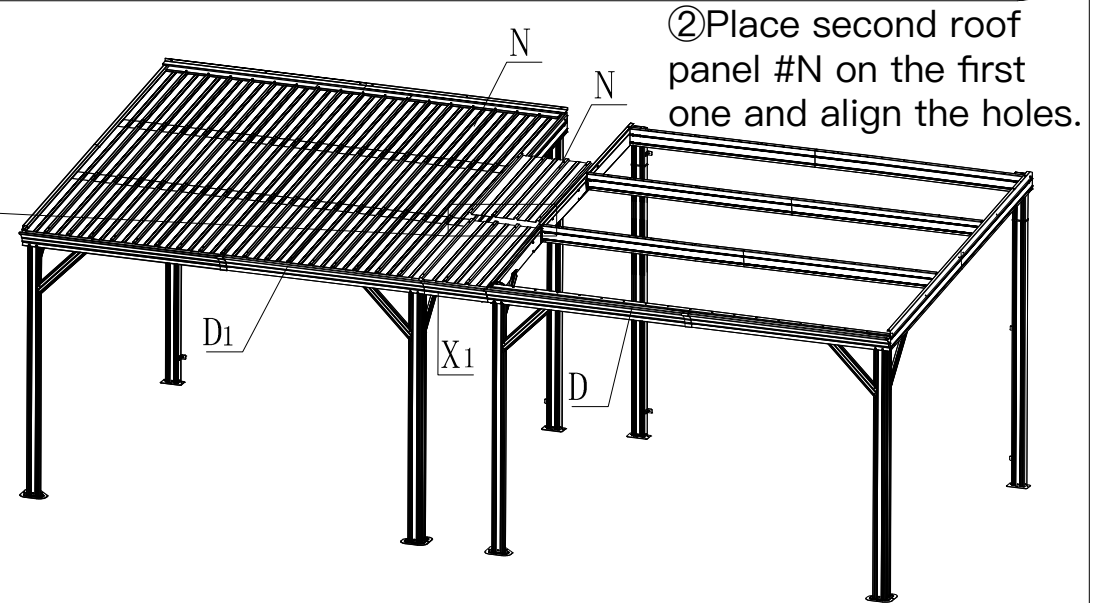


③ Place #Z1 under the first roof panel #N and insert rubber spacer #S into the gap between #Z1 and #N.

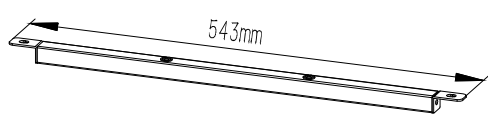
④ Secure #Z1 and #N with washer #S1, bolts 4# & Nuts 5#.



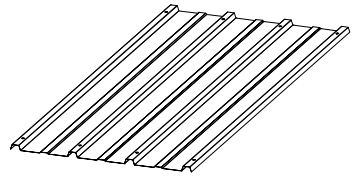
① Please apply silicon sealant 14# to the end of the first roof panel #N as shown, and then follow the instruction to install second one.



② Place second roof panel #N on the first one and align the holes.



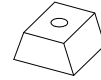
Z1 1X



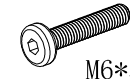
N 1X

D12/d6. 2\*H2

S1 4X



S 4X

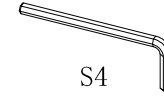


4# 4X

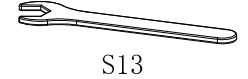


M6

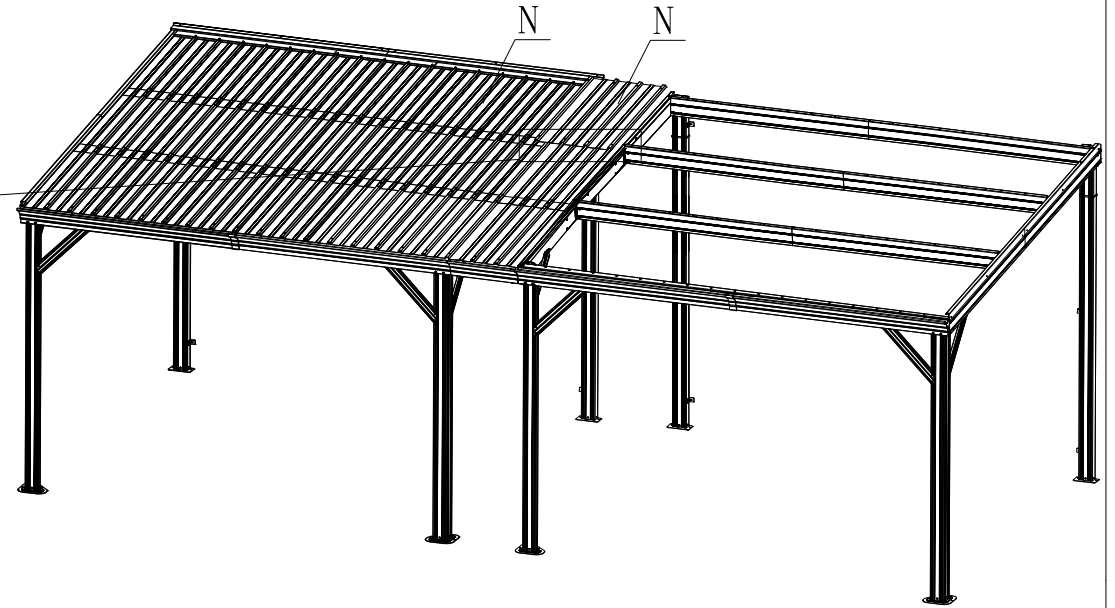
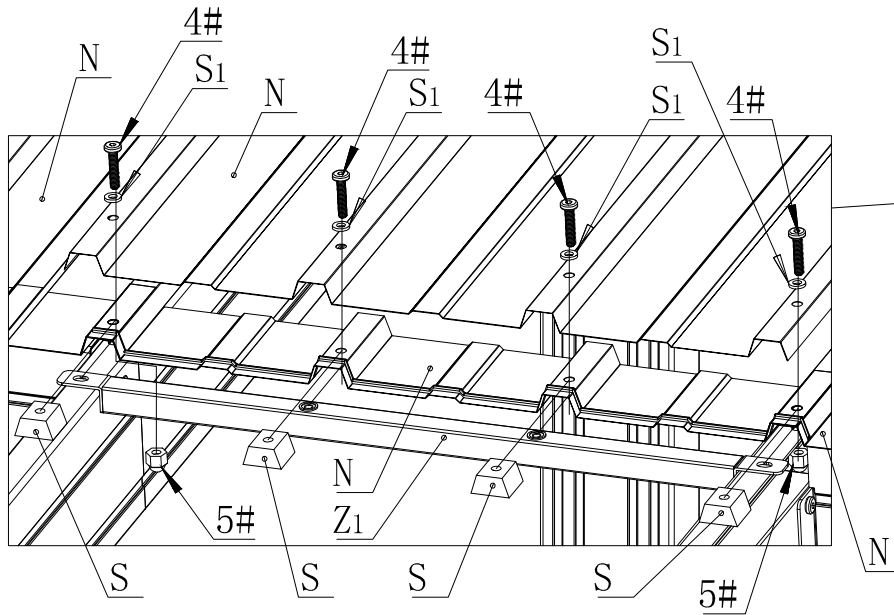
5# 2X



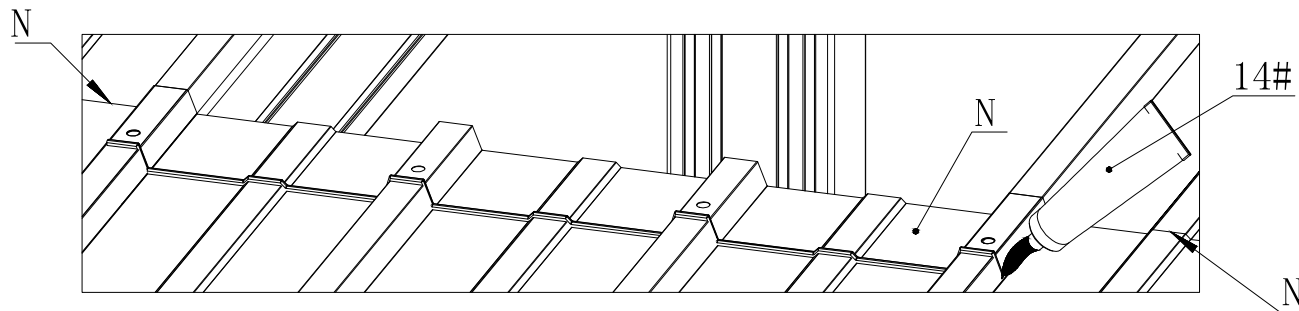
8# 1X

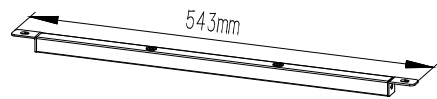


9# 1X

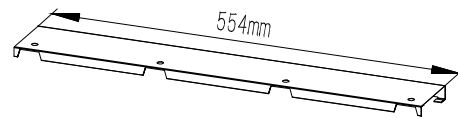


Repeat above procedure on the third roof panel #N.

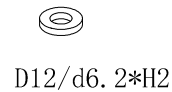




Z1 1X



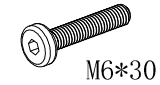
Y2 1X



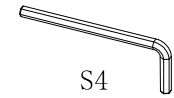
S1 4X



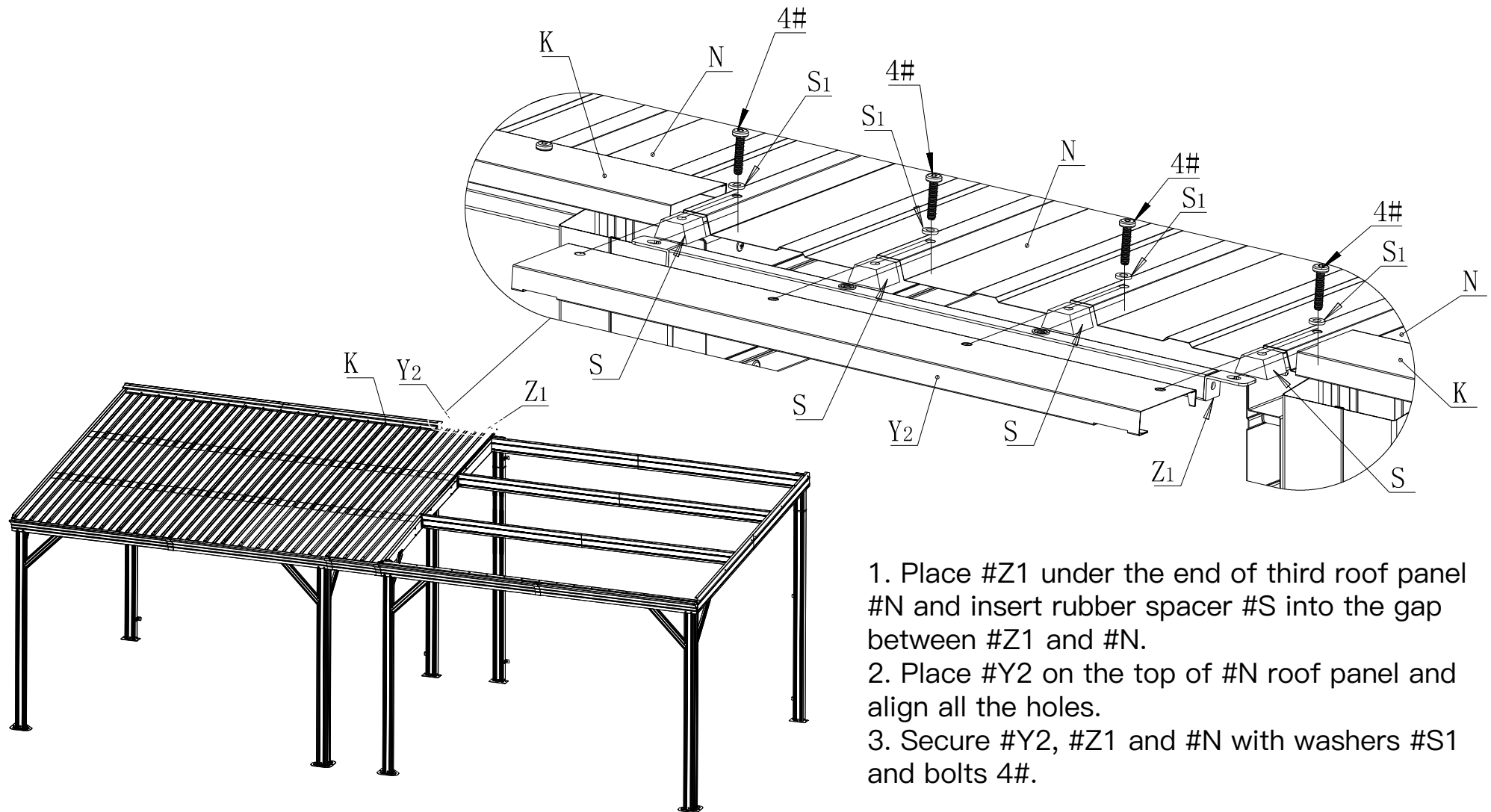
S 4X



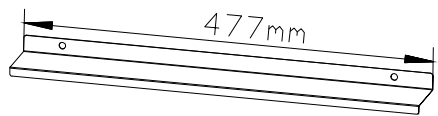
4# 4X



8# 1X



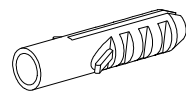
1. Place #Z1 under the end of third roof panel #N and insert rubber spacer #S into the gap between #Z1 and #N.
2. Place #Y2 on the top of #N roof panel and align all the holes.
3. Secure #Y2, #Z1 and #N with washers #S1 and bolts 4#.



Y1 1X

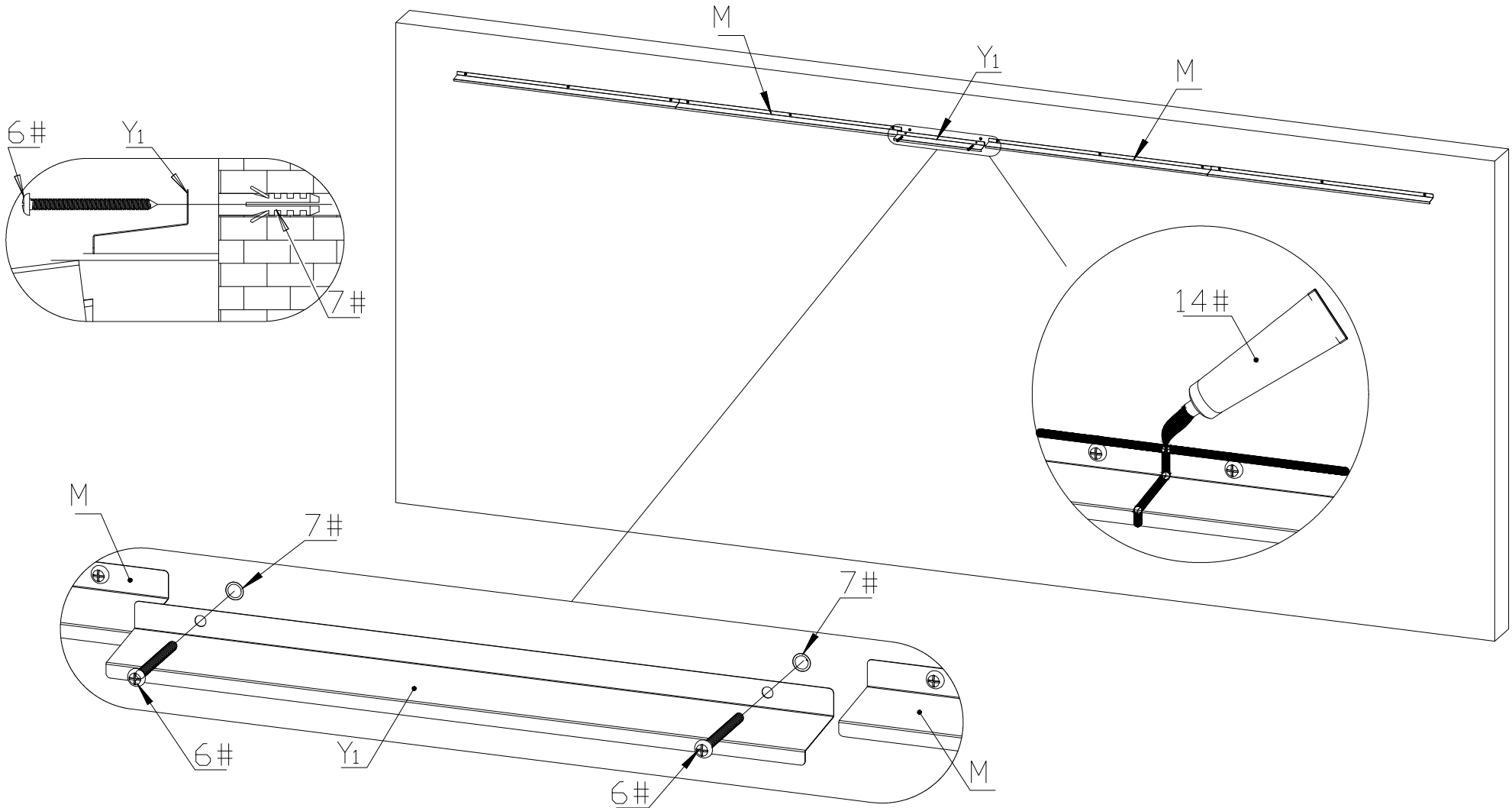


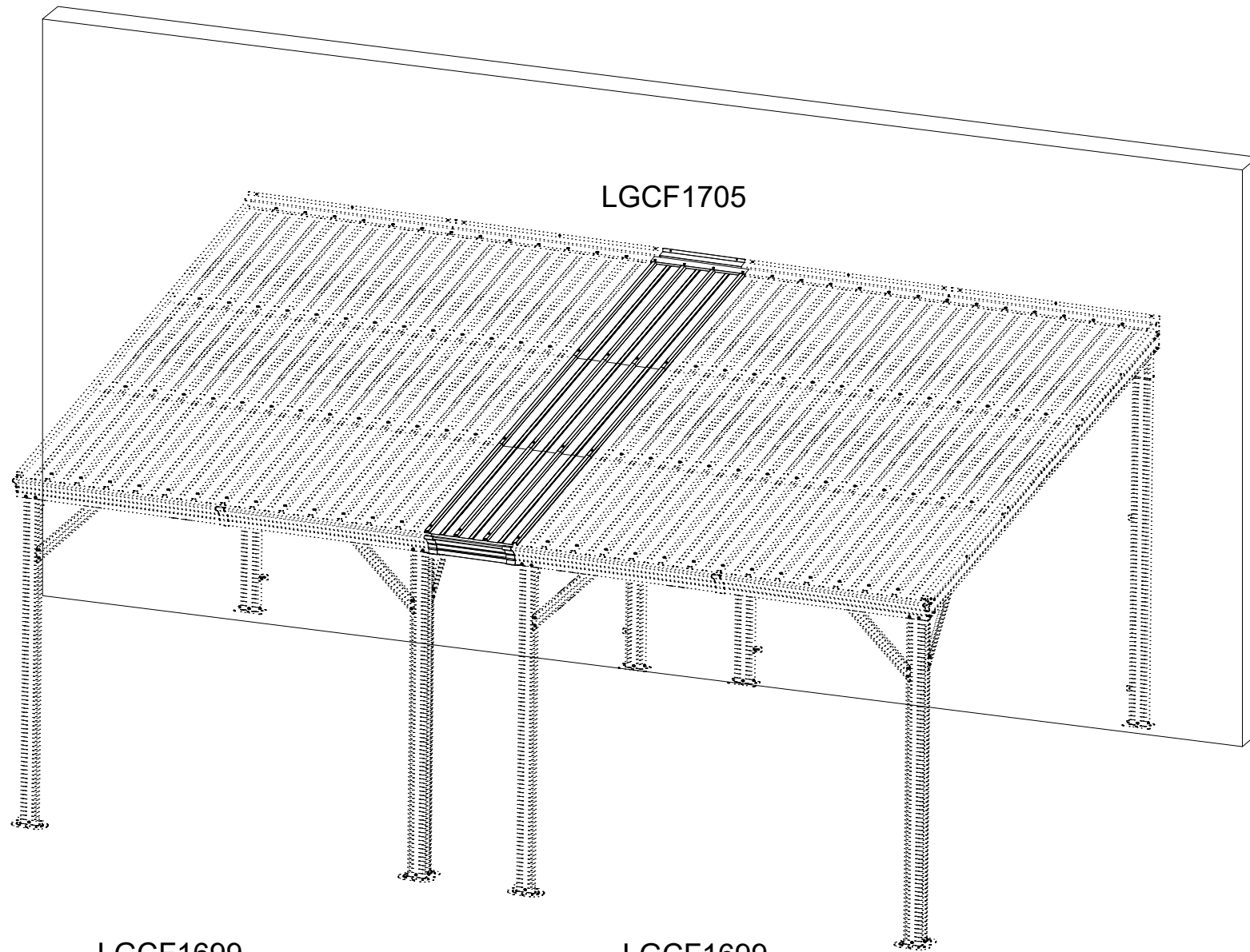
6# 2X



7# 2X

Insert drywall anchor 7# into the wall, attach drip rail #Y1 to the wall and secure it with screws 6#. Apply silicon sealant #14 to the connection point of #Y1 and #M.





LGCF1705

LGCF1699

LGCF1699



RESORT COMFORT IN YONR  
OWN BACKYARD

**Support:**



**Business cooperation contact email:**

[marketing@domioutdoorliving.com](mailto:marketing@domioutdoorliving.com)

**After-sales contact email:**

[service@domioutdoorliving.com](mailto:service@domioutdoorliving.com)

Please tell us your order ID when contact.

Attach photos of damaged part for instant reply.