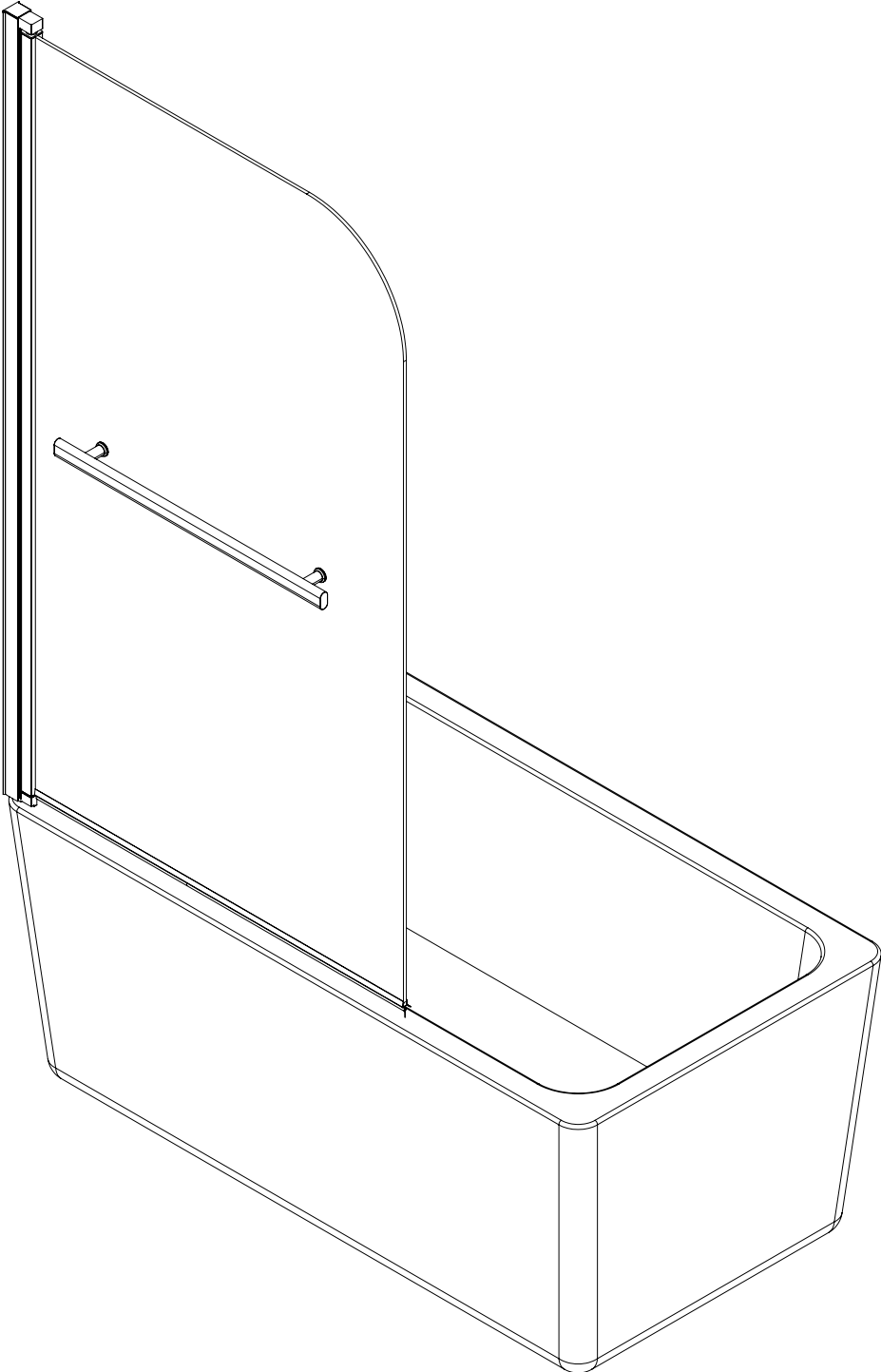
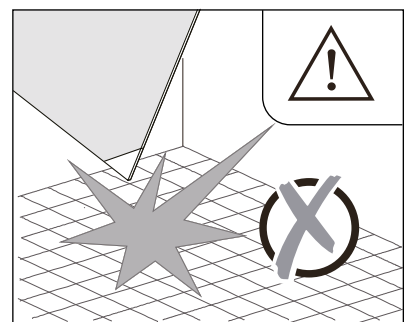
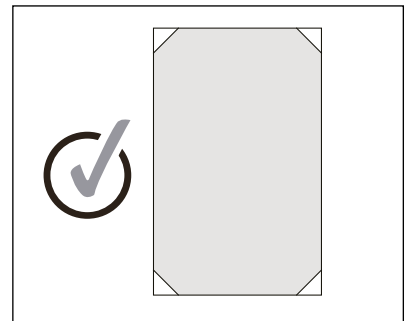
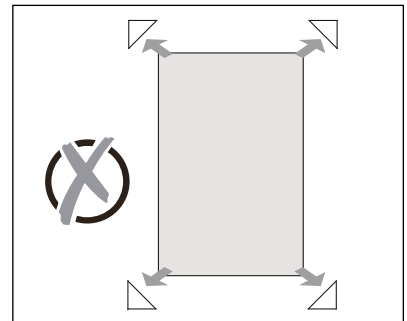
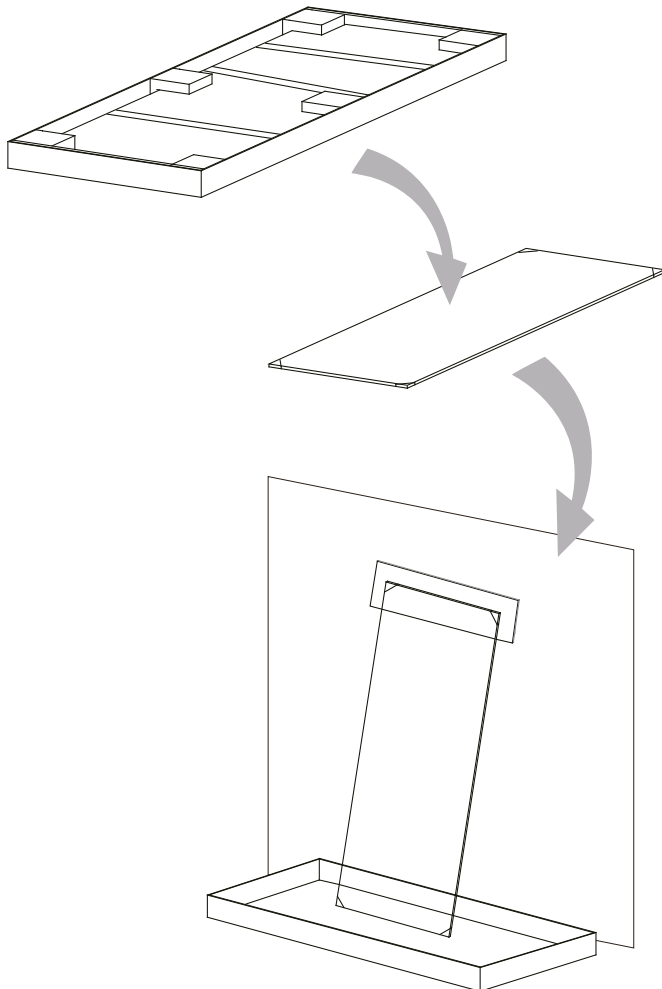
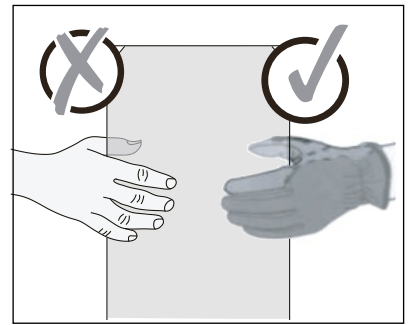
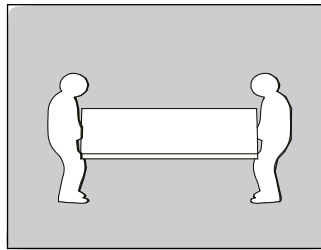
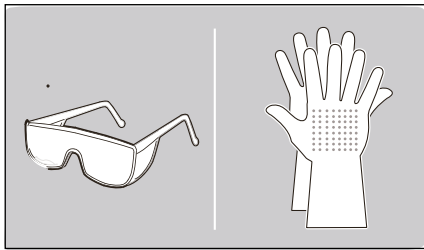
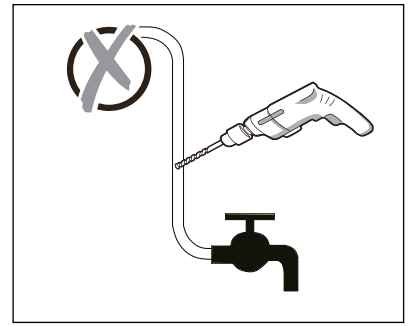
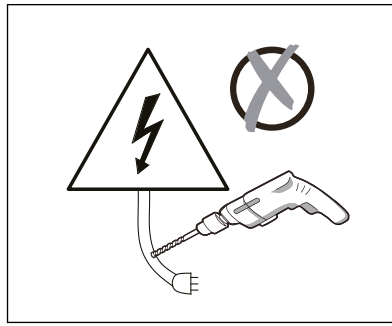
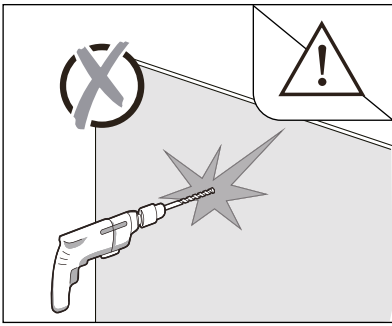
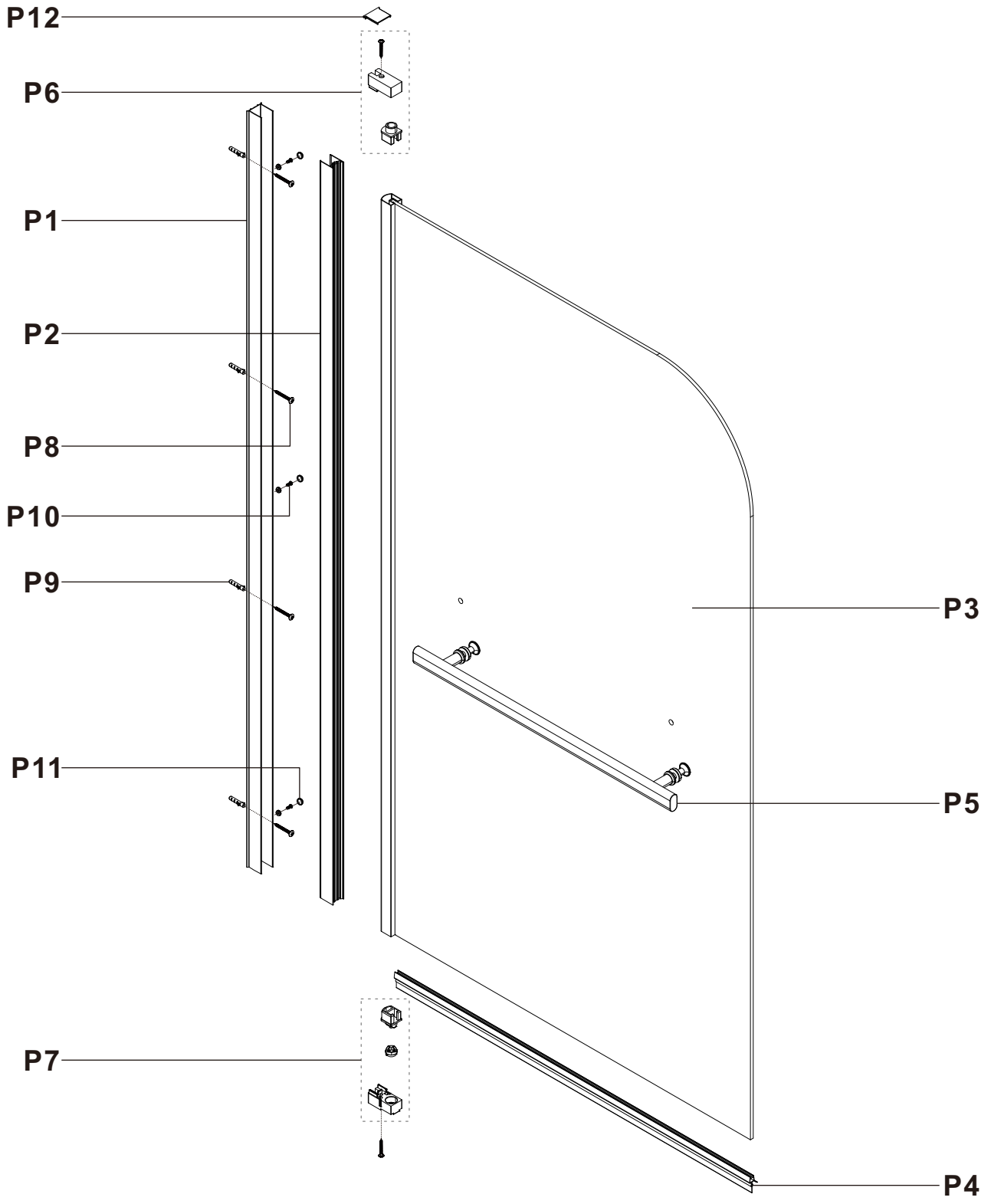
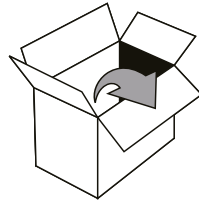






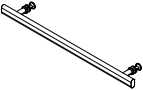
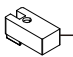
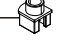




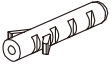




RDY21

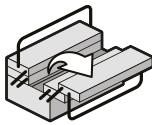
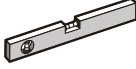

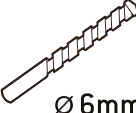
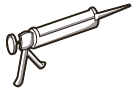



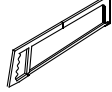


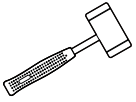


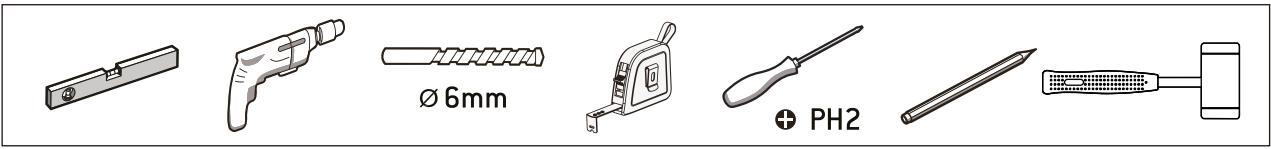






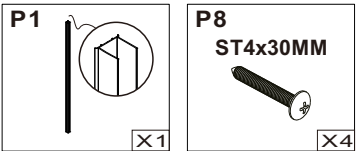
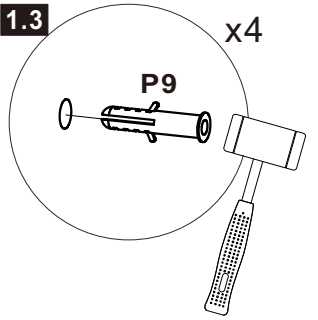
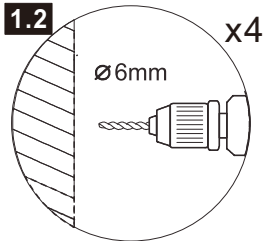
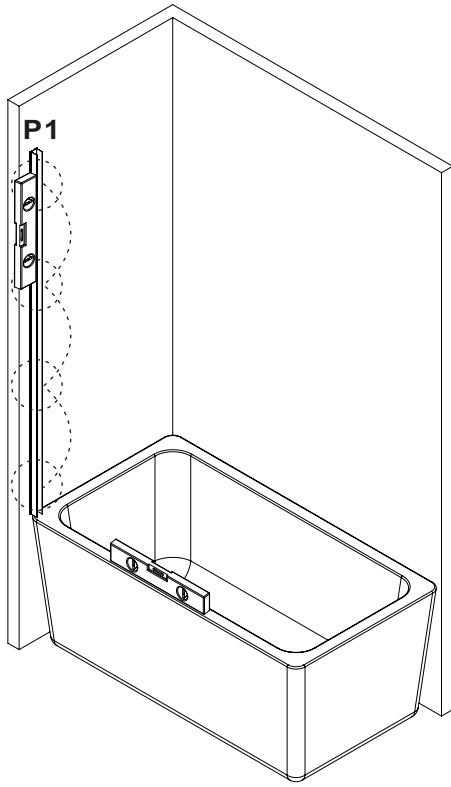
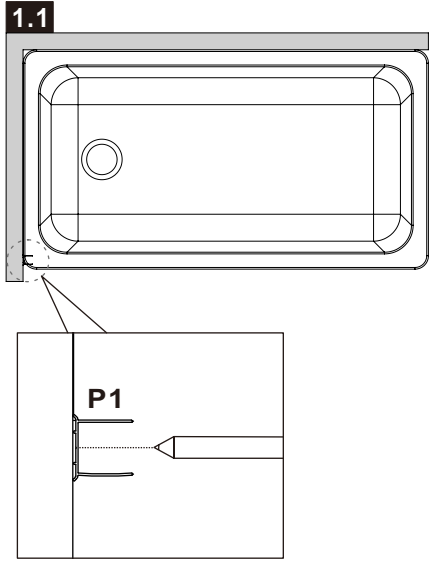
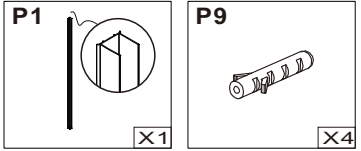
<p>P1</p>  <p>X1</p>	<p>P2</p>  <p>X1</p>	<p>P3</p>  <p>X1</p>	<p>P4</p>  <p>X1</p>
<p>P5</p>  <p>X1</p>	<p>P6</p>  <p>P6-a</p>  <p>X1</p>	<p>P7</p>  <p>P7-a</p>  <p>P7-b</p>  <p>P7-c</p> <p>X1</p>	<p>P8 ST4x30MM</p>  <p>X6</p>
<p>P9</p>  <p>X4</p>	<p>P10 ST4x10MM</p>  <p>X3</p>	<p>P11</p>   <p>X3</p>	<p>P12</p>  <p>X1</p>

	
	
 <p>Ø 6mm</p>	
	
 <p>⊕ PH2</p>	
<p>Ø 3mm</p> 	
	

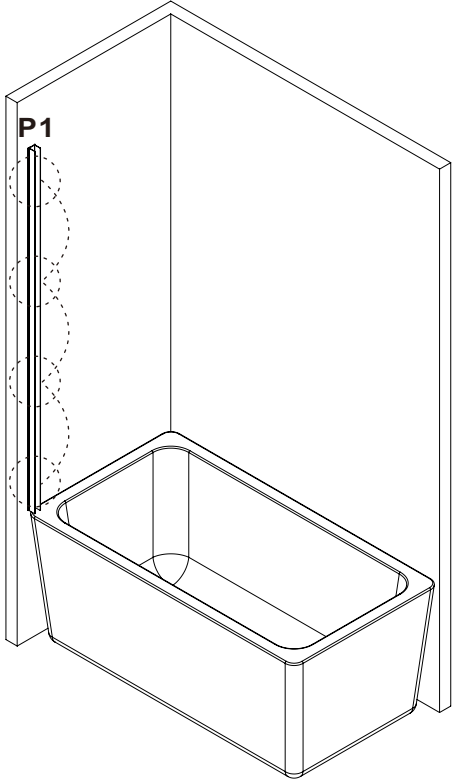
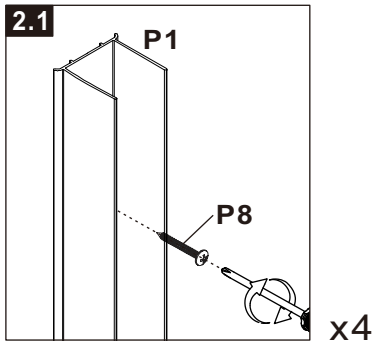


5

1



2

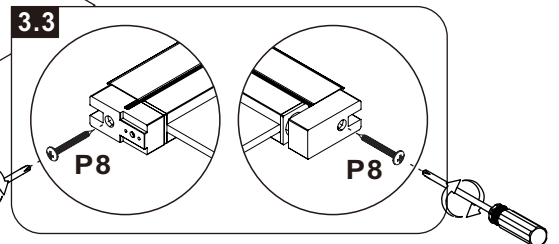
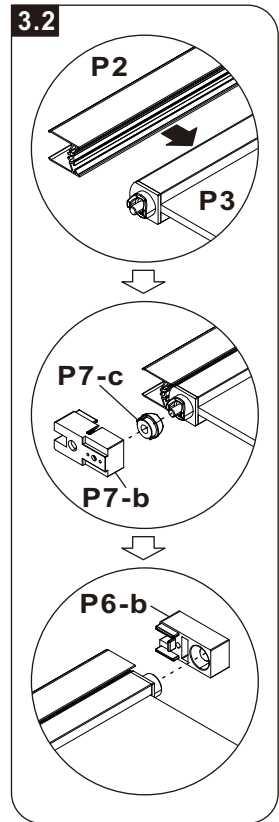
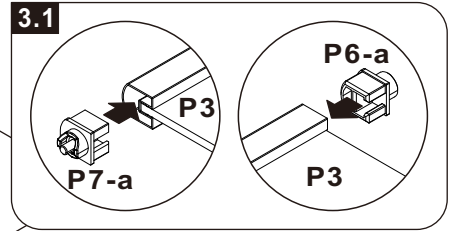
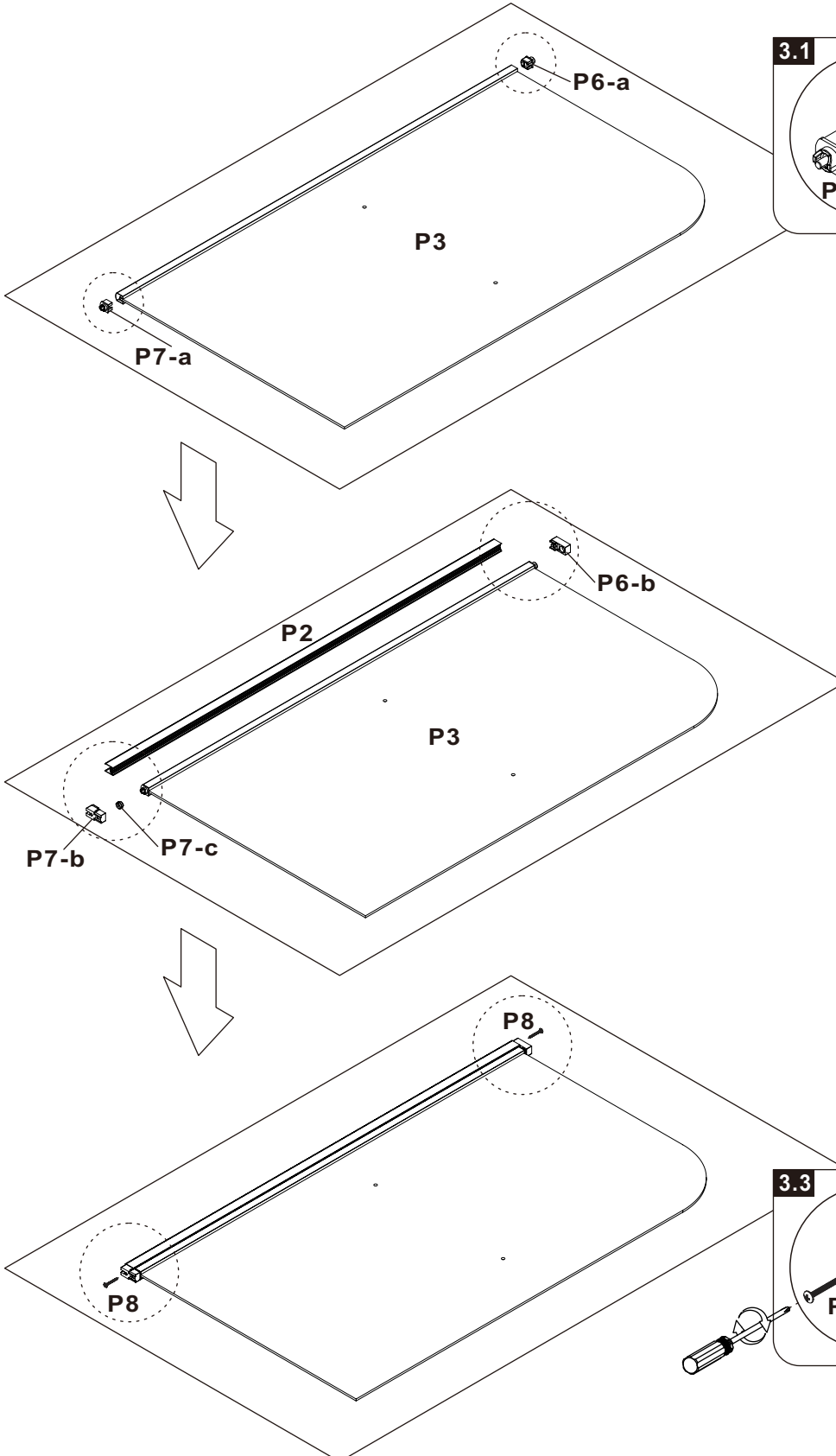
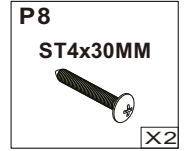
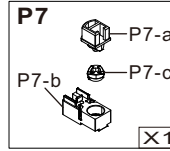
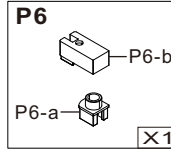
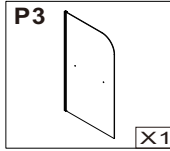
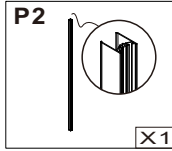


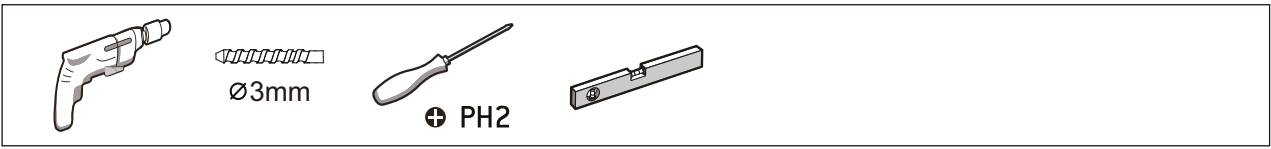
6



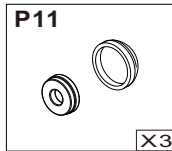
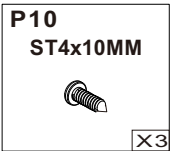
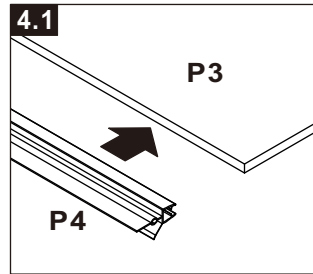
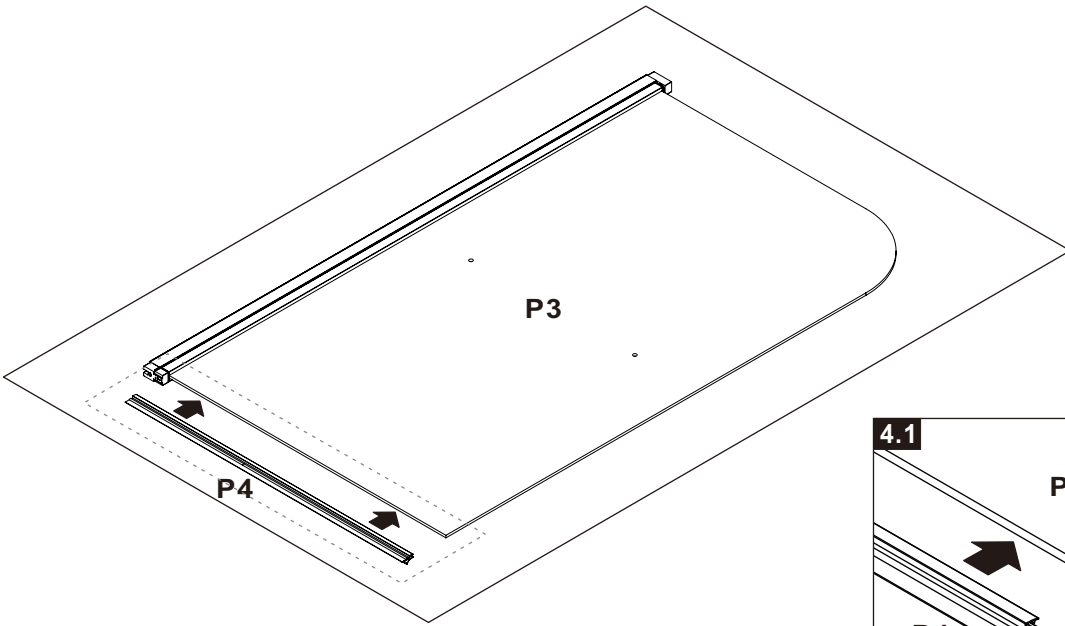
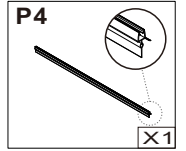
⊕ PH2

3

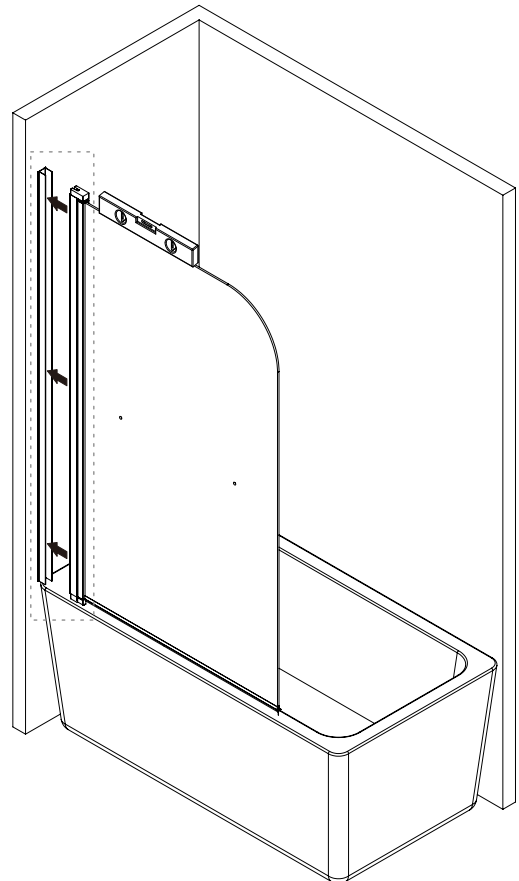
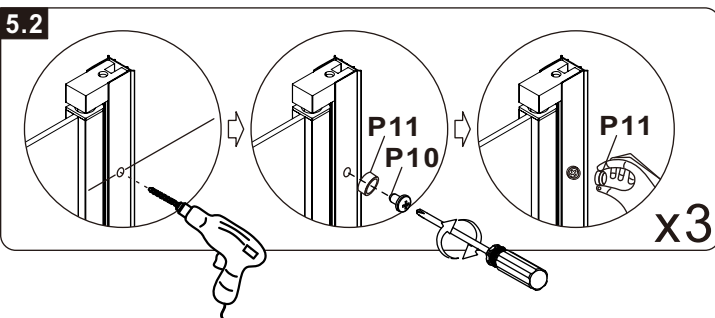
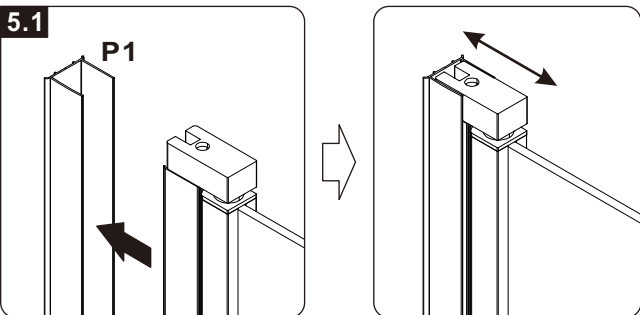




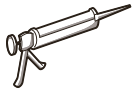
4



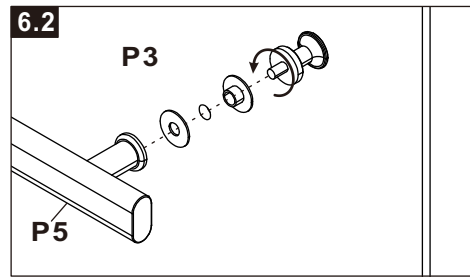
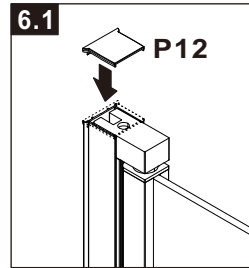
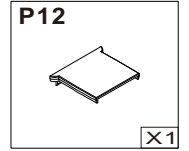
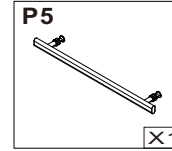
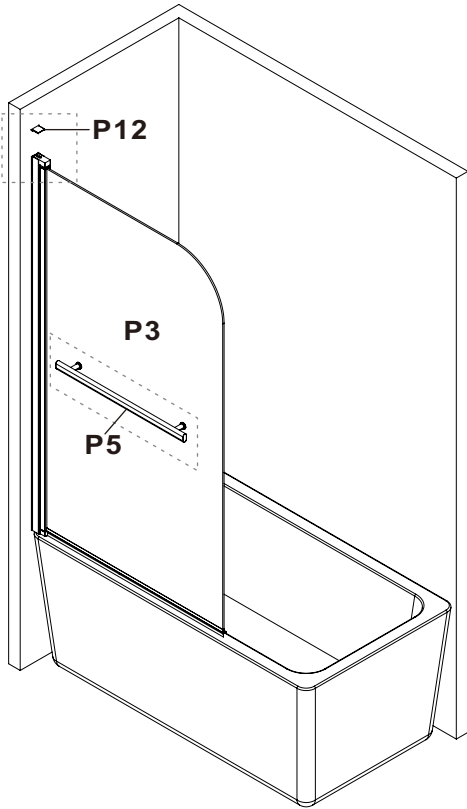
5



8



6



7

