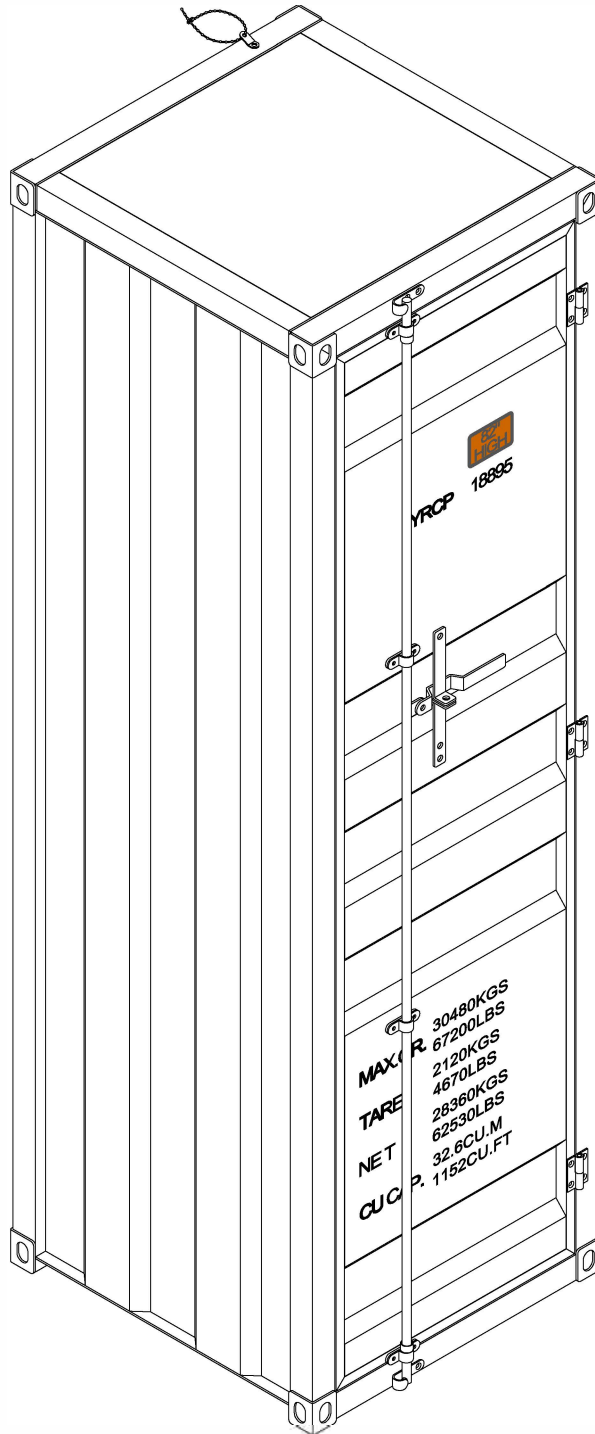
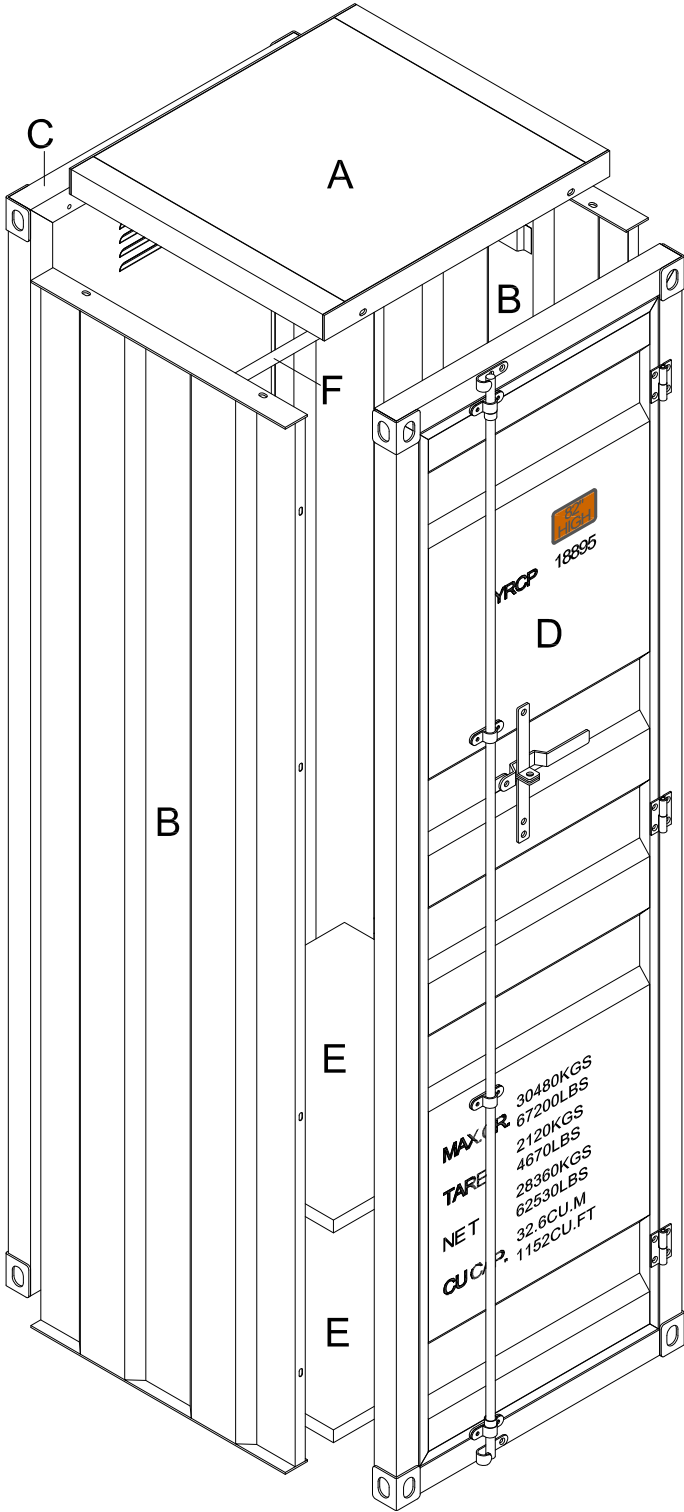


ASSEMBLY INSTRUCTIONS

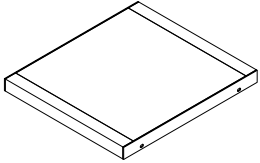
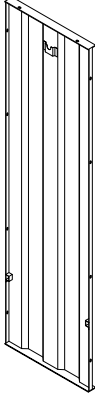
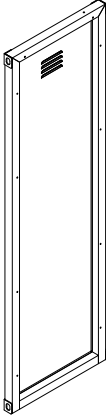

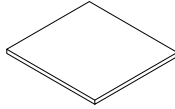
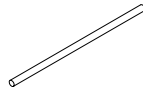


Do not tighten screws until completely assembled.

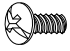
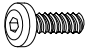



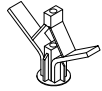

PARTS IDENTIFICATION

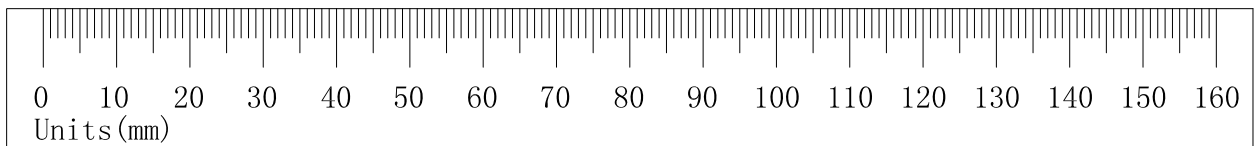


PARTS IDENTIFICATION

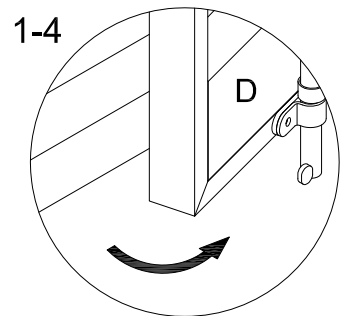
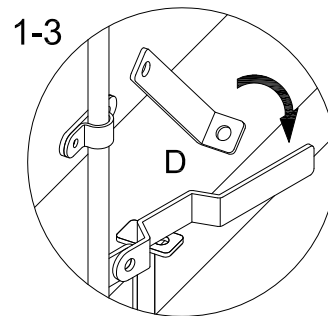
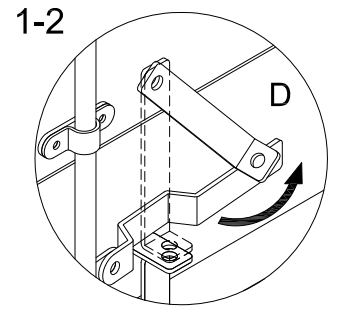
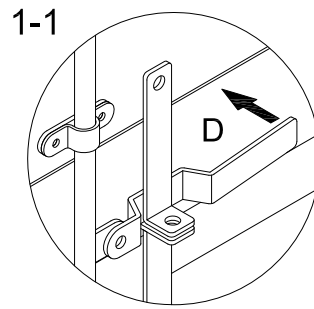
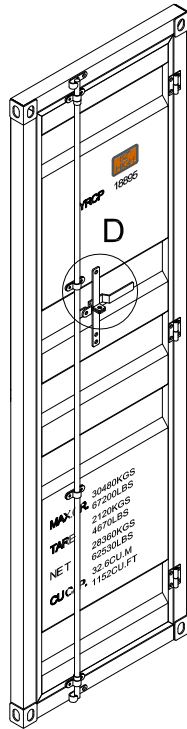
<p>A  1pc</p> <p>B  2pcs</p> <p>C  1pc</p>	<p>D  1pc</p> <p>E  2pcs</p> <p>F  1pc</p>
--	---

HARDWARE LIST

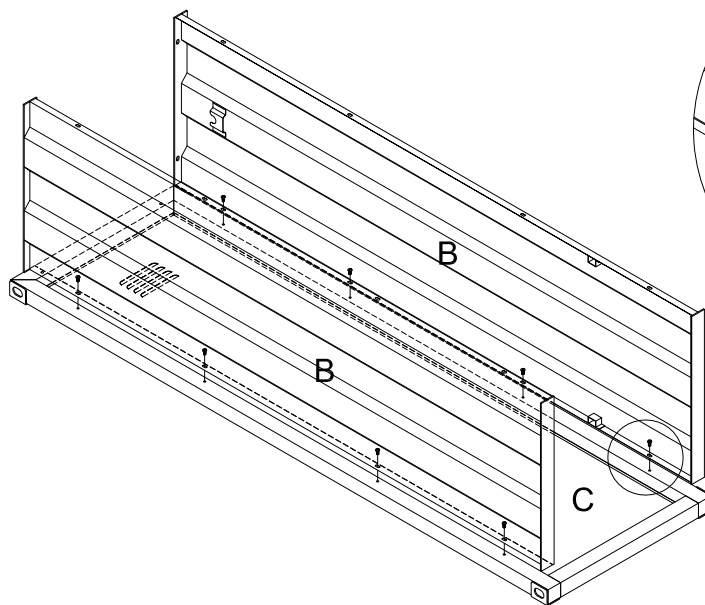
<p>1  16pcs</p> <p>M5x10</p>	<p>2  9pcs</p> <p>M6x15</p>	<p>3  1pc</p> <p>4x4</p>
<p>4  1pc</p> <p>M4x37</p>	<p>5  2pcs</p>	<p>6  1pc</p>
<p>7  1pc</p>		



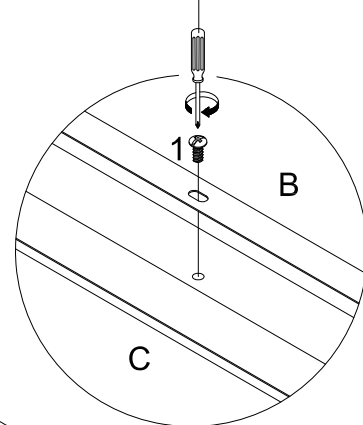
STEP 1.



STEP 2.

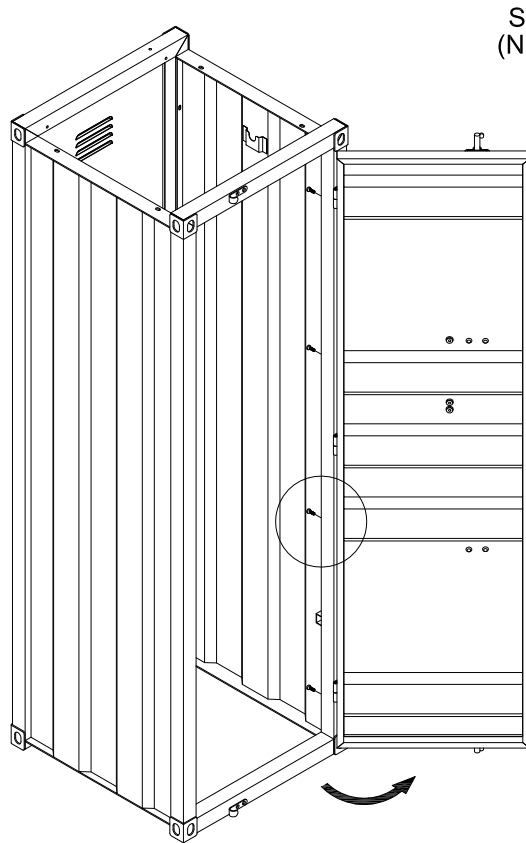


SCREWDRIVER
(NOT PROVIDED)

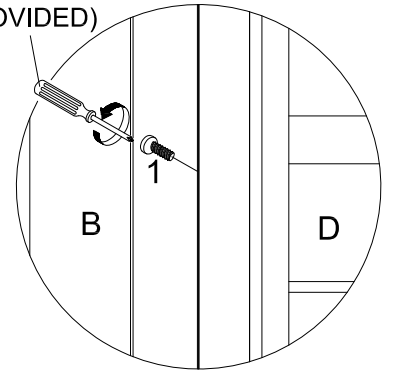



1
M5x10  8pcs

STEP 3.

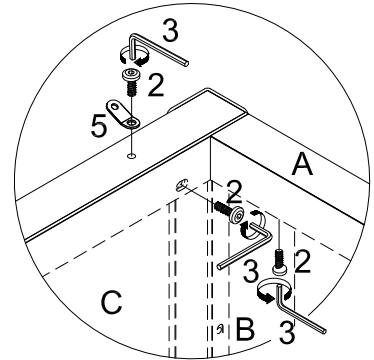
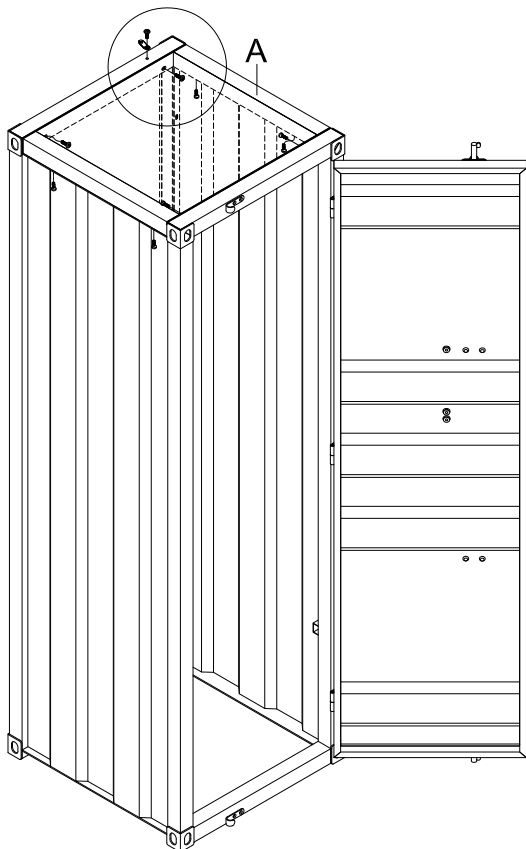


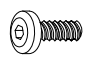

SCREWDRIVER
(NOT PROVIDED)



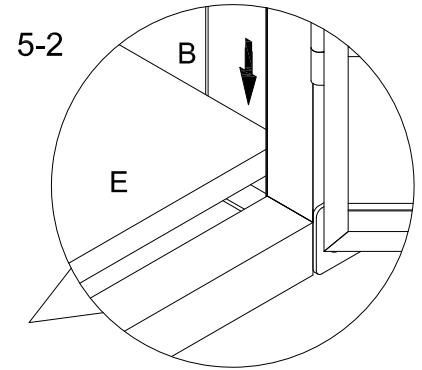
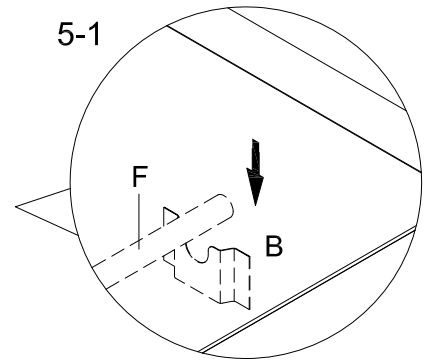
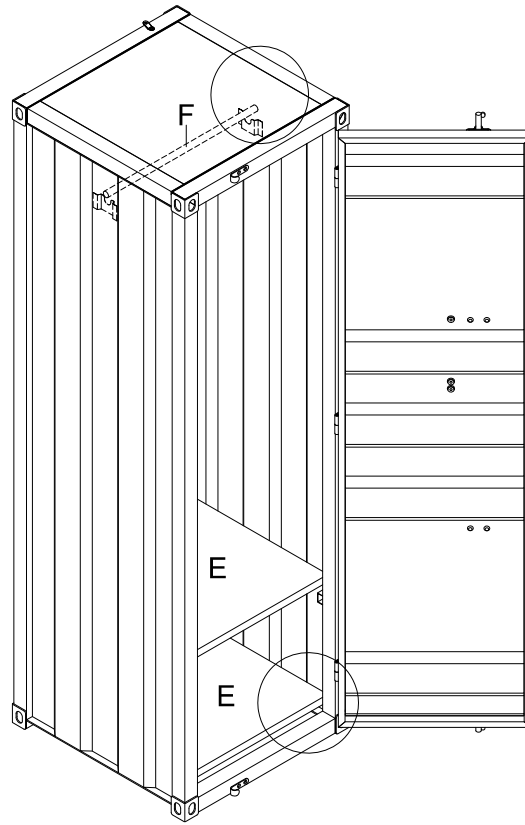
1		8pcs
M5x10		

STEP 4.



2		9pcs
M6x15		
5		1pc

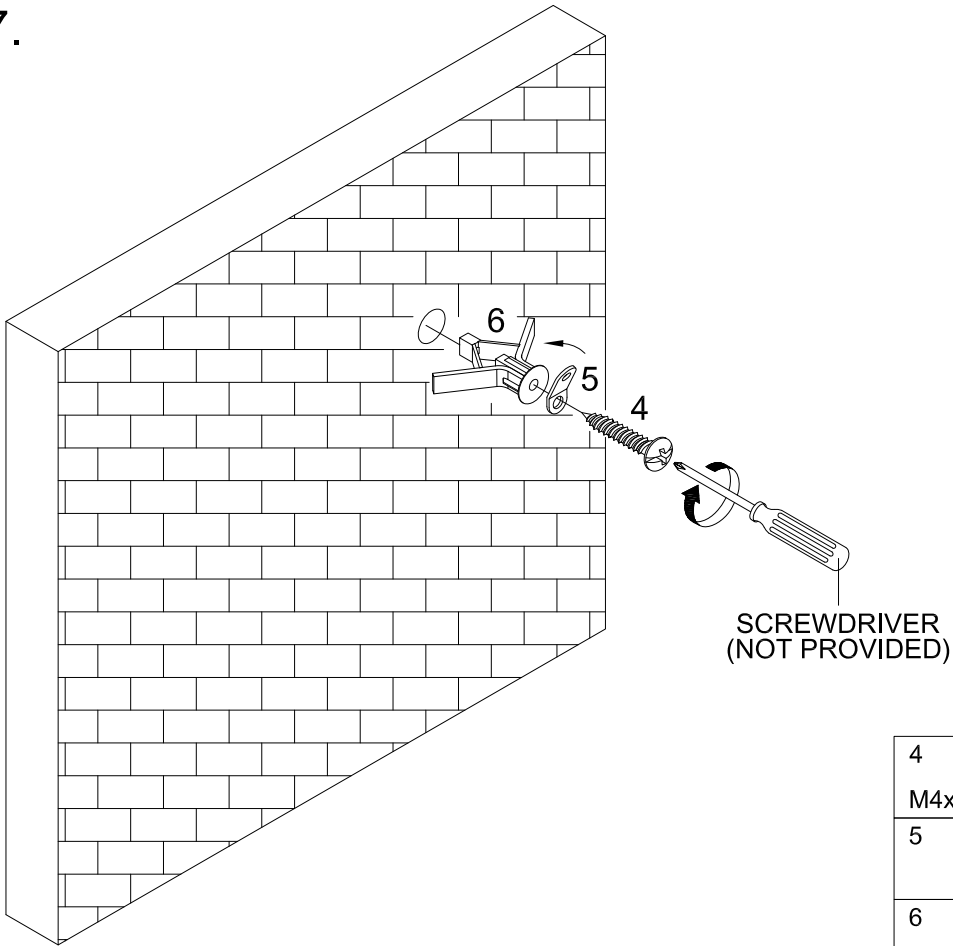
STEP 5.



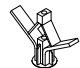


STEP 6.

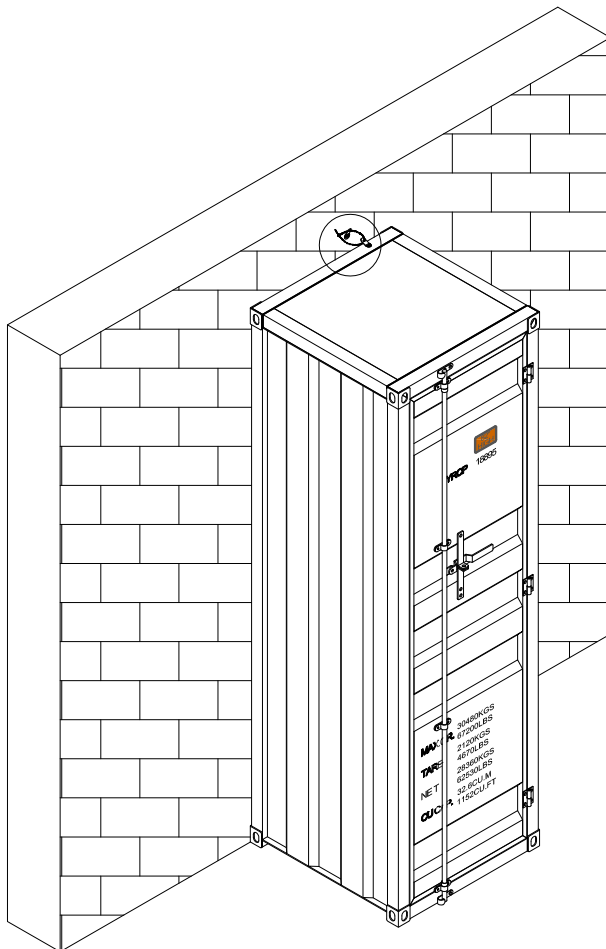


STEP 7.

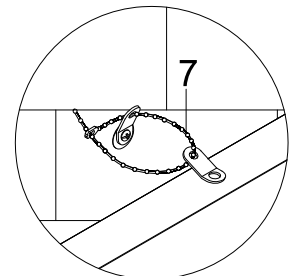


4		1pc
5		1pc
6		1pc

STEP 8.



To Prevent Tip over
Product Must Be
Attached To Wall



7		1pc
---	---	-----