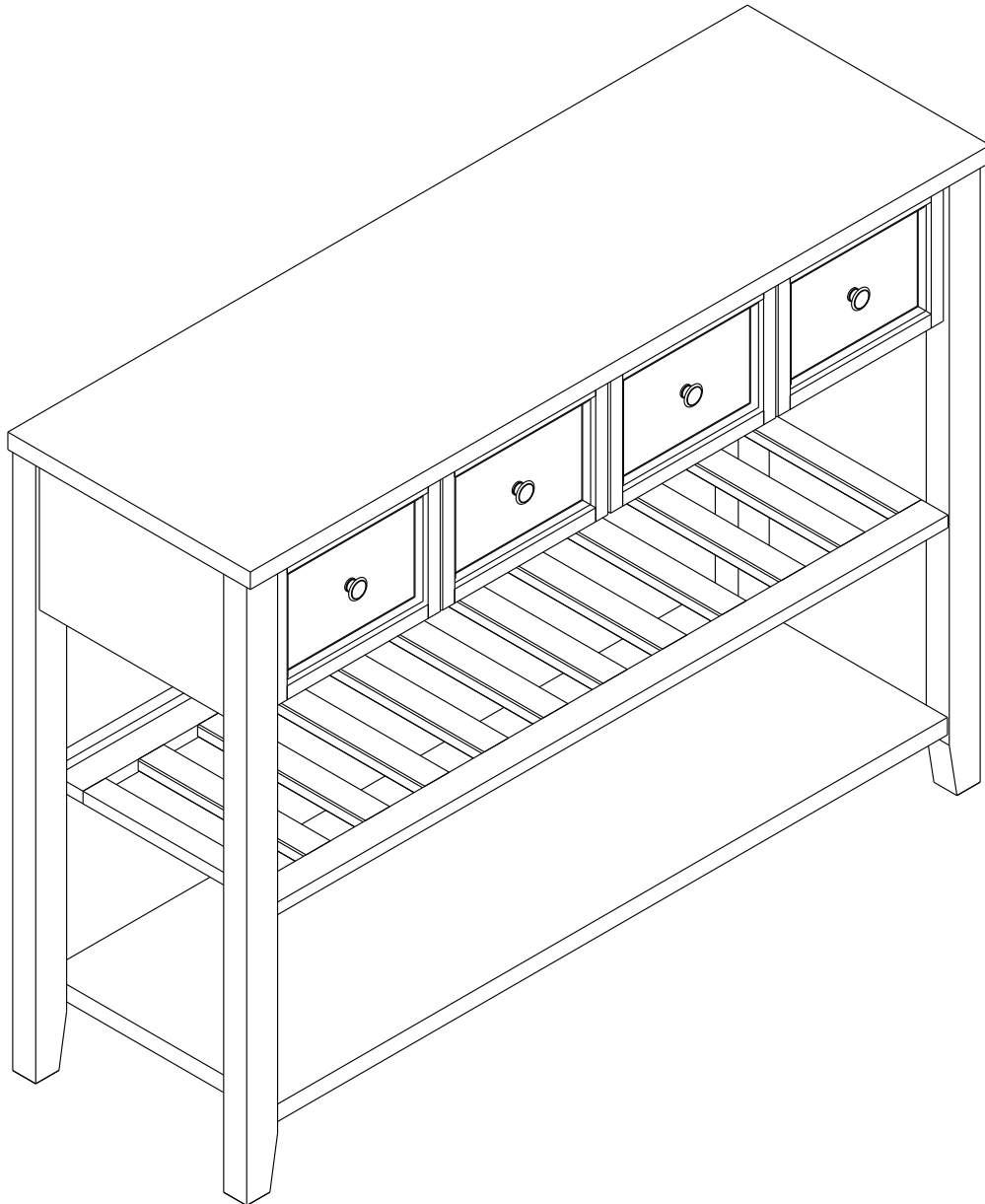


# Item #: BU48HNK

## Assembly Instruction

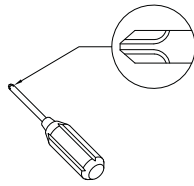


Please visit our website for the most current instructions, assembly tips, to report damage or request parts. [www.walkeredison.com](http://www.walkeredison.com)

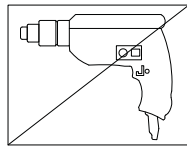
Revised 12/2020

# General Assembly Guidelines

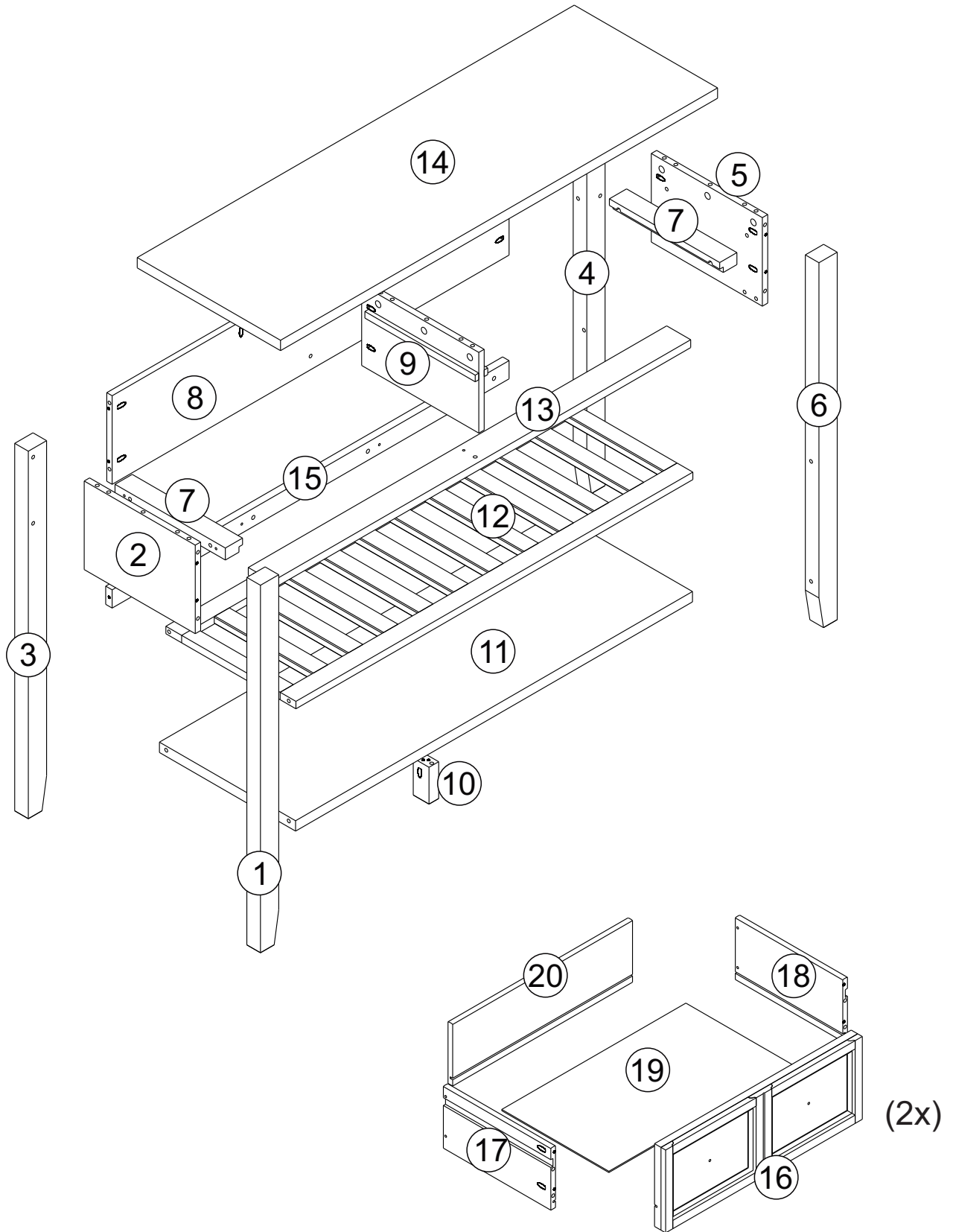
- I. Ensure that all parts and hardware are available before beginning assembly.
- II. Follow each step carefully to ensure the proper assembly of this product.
- III. Two people are recommended for ease in the assembly of this product.
- IV. The three main types of hardware used to assemble this product are : wood dowels , screws and bolts.
- V. A Phillips head screwdriver is required for the assembly of this product .



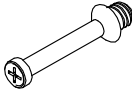


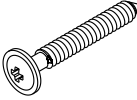

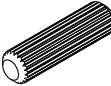
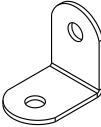
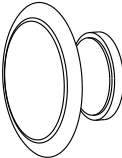
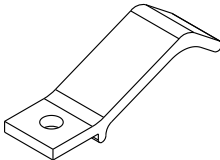
- VI. Power tools should not be used to assemble this product .


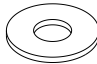
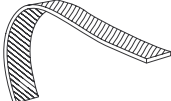



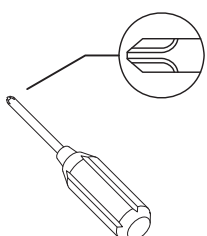
# Parts List



# Hardware List

A		Ø 5,5x28mm	Cam Bolt	09 pcs
B		Ø 14x14mm	Cam Lock	09 pcs
C		M4x25mm	Screw	04 pcs
D		Ø 4,0x30 mm	Screw	51 pcs
E		Ø 3,0x16 mm	Screw	10 pcs
F		Ø 8,0x30 mm	Wood dowel	51 pcs
G			Bracket	04 pcs
H			Knob	04 pcs
I			Drawer Limiter	02 pcs

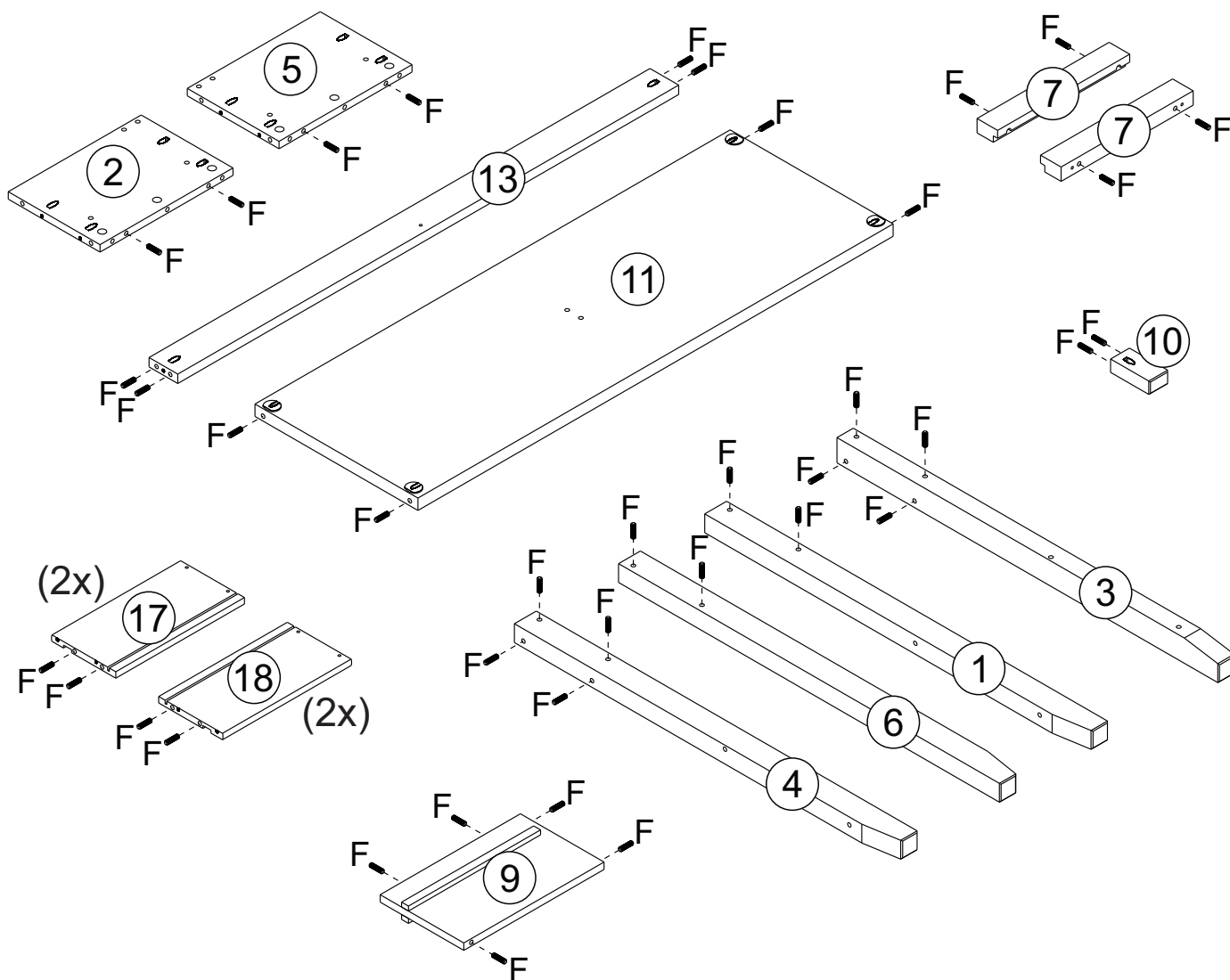
V		Ø 3,5x30mm	Screw	01 pc
W		Ø 6mm	Plastic Anchor	01 pc
X			Washer	02 pcs
Y			Strip	01 pc
Z		Ø 3,5x16mm	Screw	01 pc



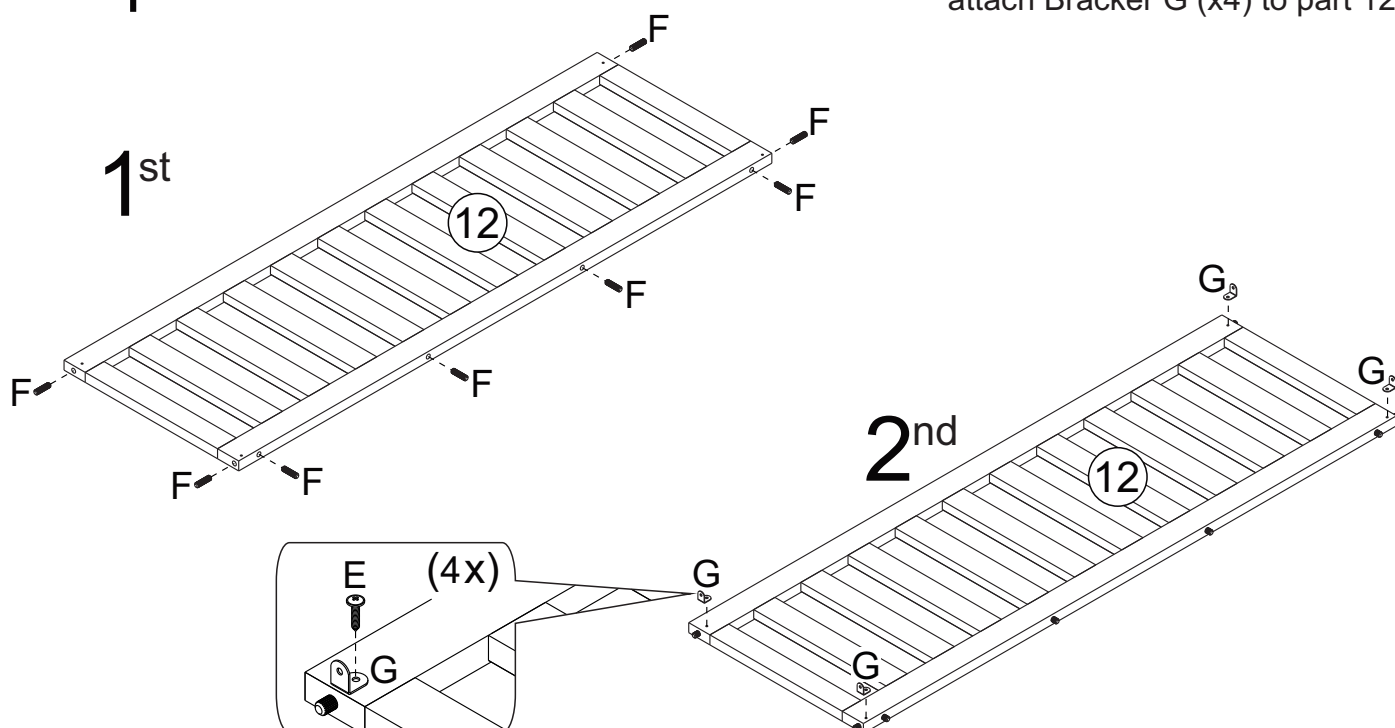
Philips head screwdriver required for assembly  
(not included)

*The hardware quantities listed above are required for proper assembly.  
Some extra hardware may also have been included.*

**Step 1** Insert wood dowel ( F ) into parts (1),(2),(3),(4),(5),(6),(7),(9),(10),(11),(13),(17) and (18).

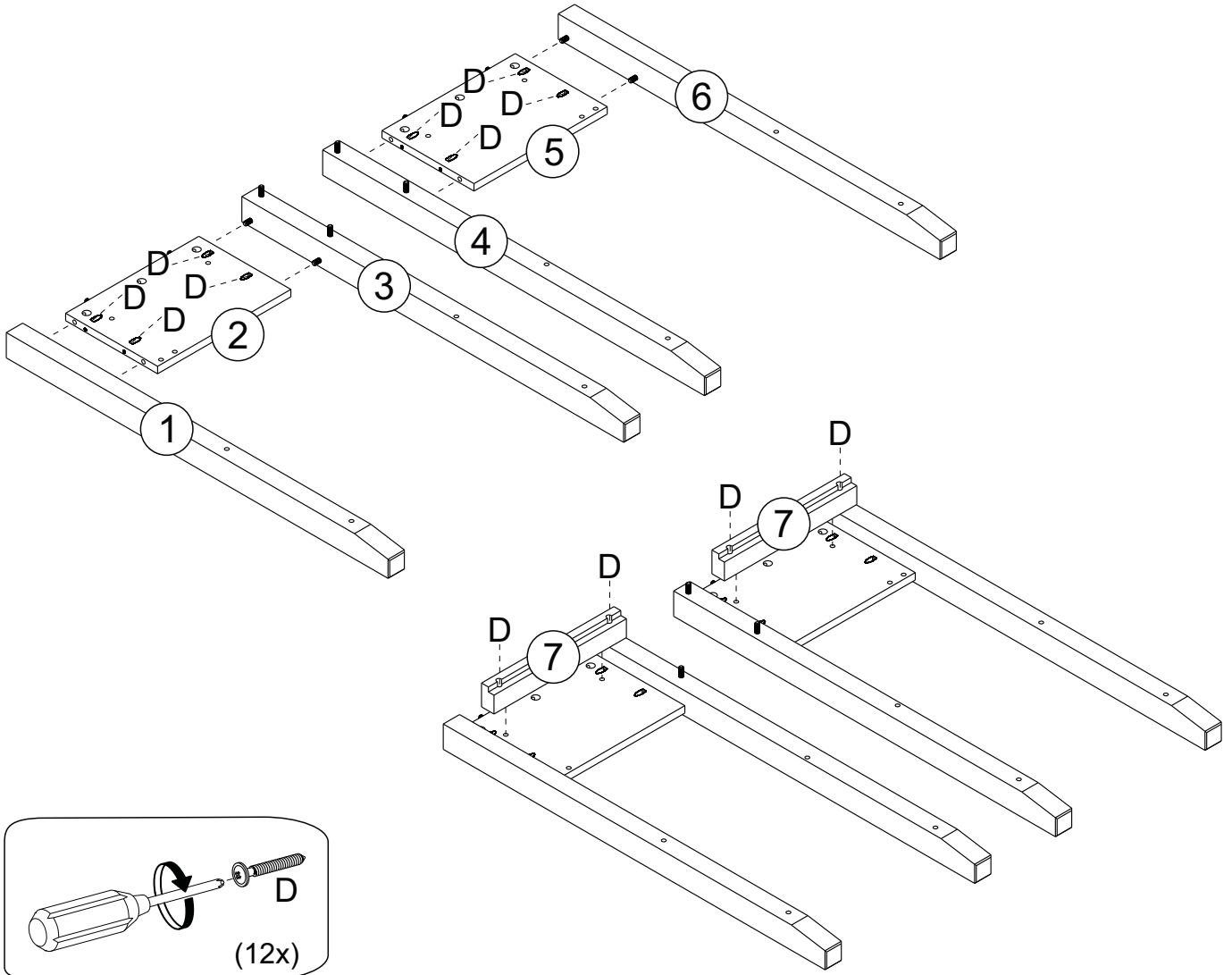


**Step 2** First insert wood dowel F (x8) into part 12, and Second, use Screw E (x4) to attach Bracker G (x4) to part 12.



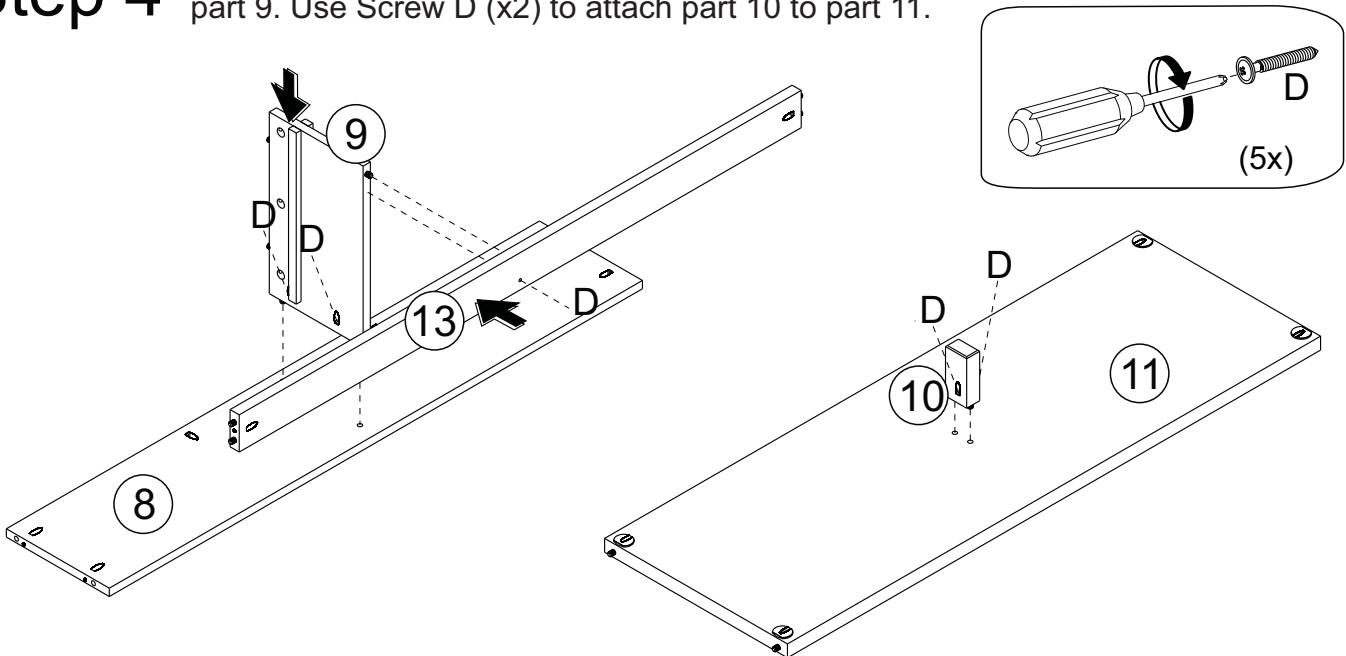
## Step 3

Insert part 2 into legs 1 and 3, and repeat with part 5 into 4 and 6. Use Screw D (x8) to secure parts 2 and 5 to the legs. Use Screw D (x4) to attach part 7 to parts 2 and 5.

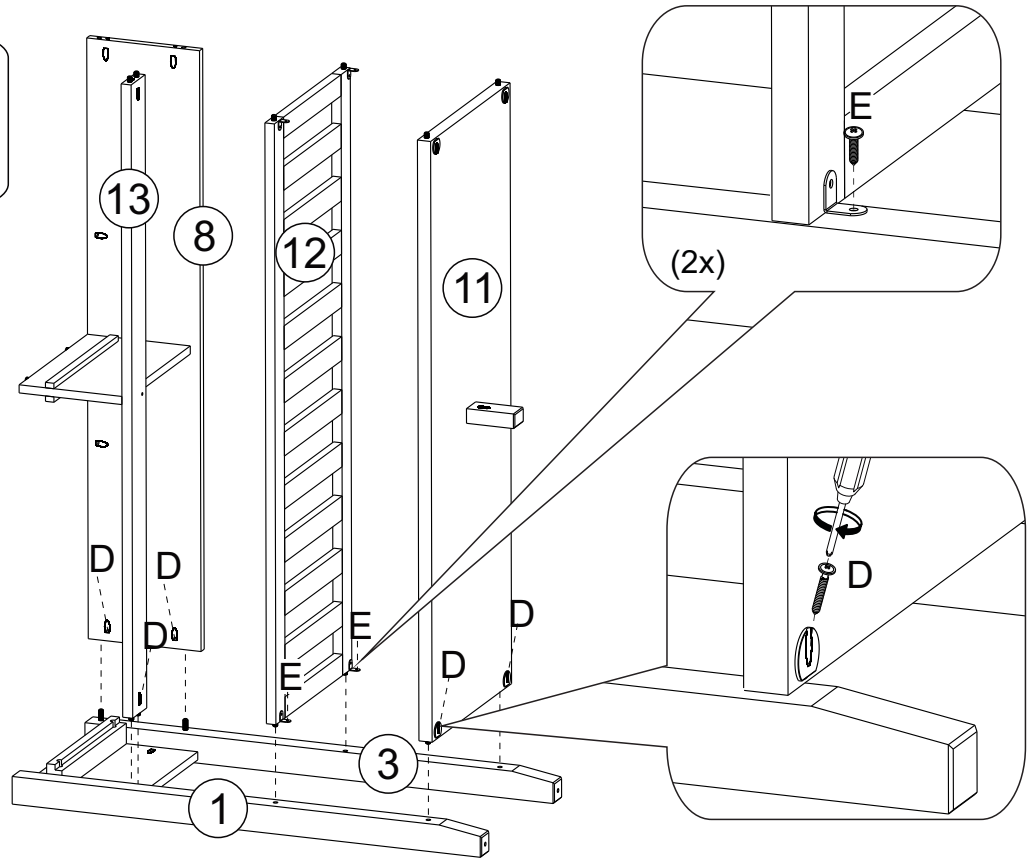
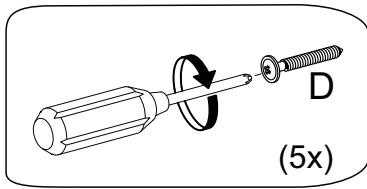


## Step 4

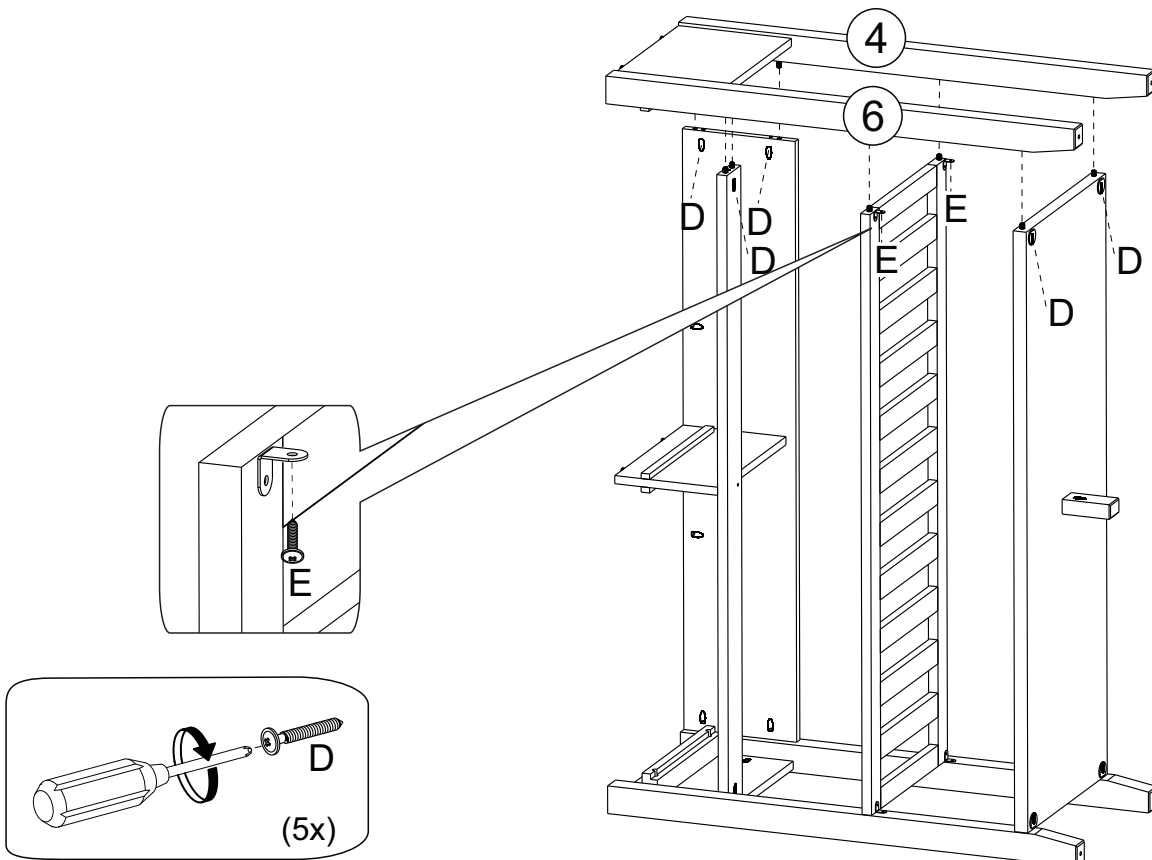
Use Screw D (x2) to attach part 9 to part 8 and Screw D (x1) to attach part 13 to part 9. Use Screw D (x2) to attach part 10 to part 11.



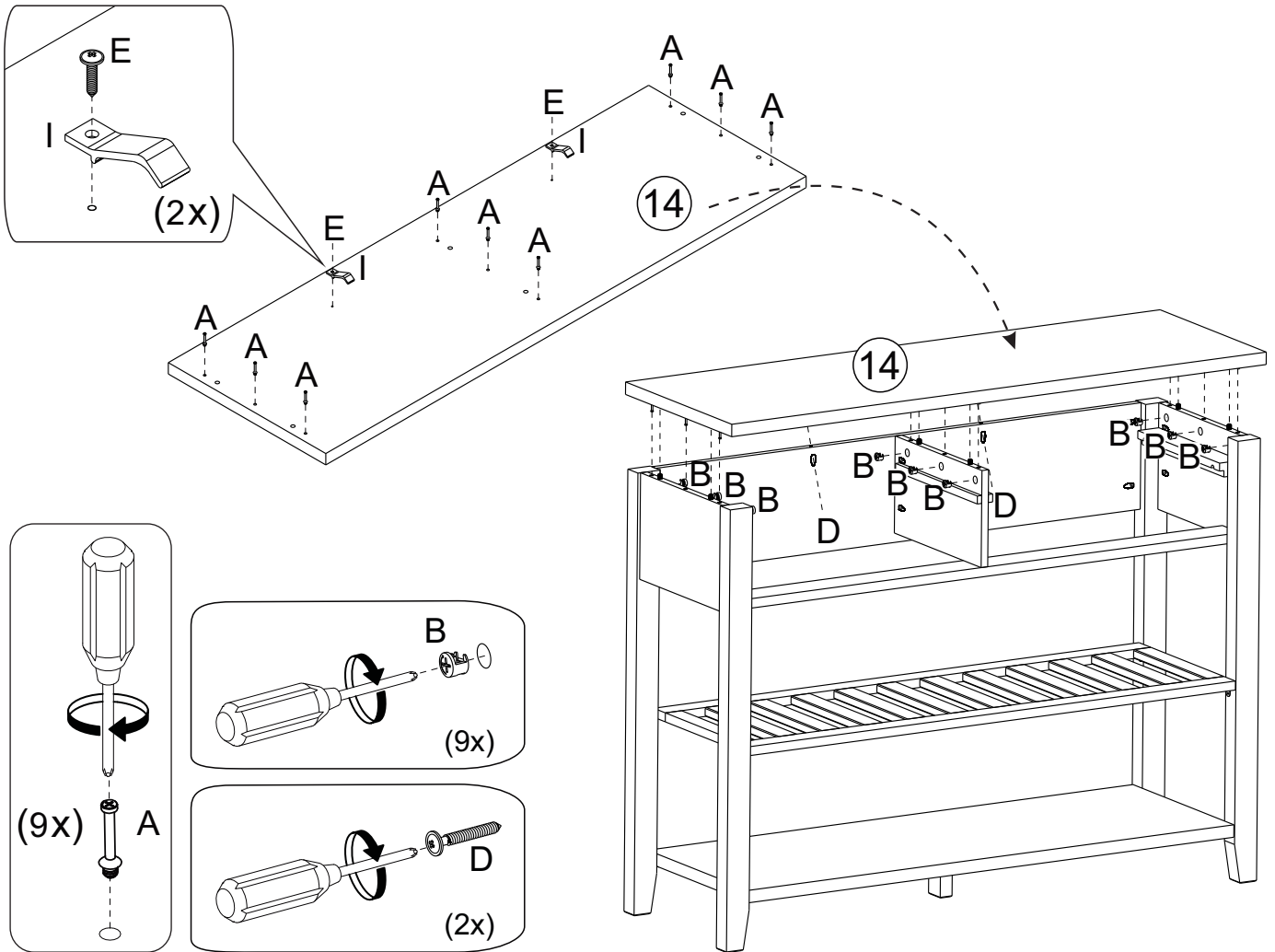
**Step 5** Use Screw D (x5) to parts 13, 8, and 11 to part 1. Use Screw E (x2) to attach Bracket G to parts 1 and 3.



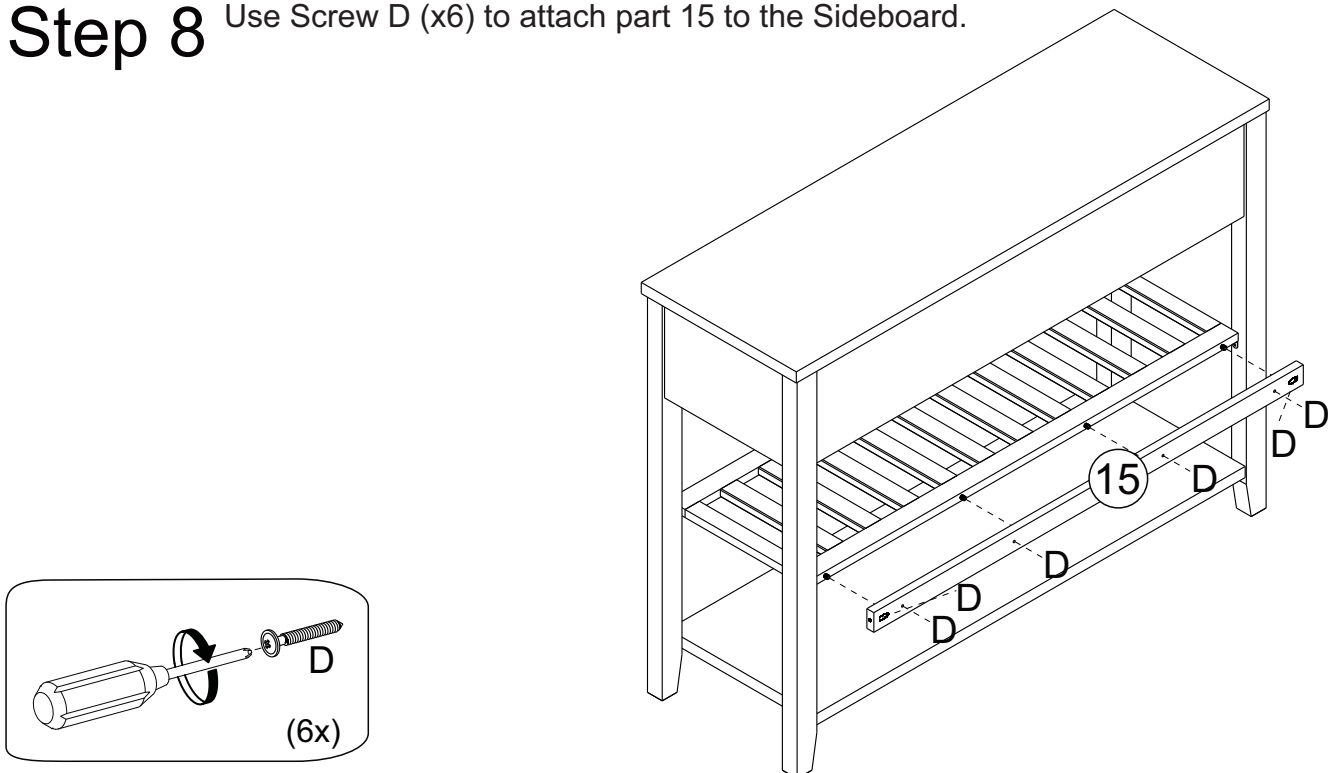
**Step 6** Use Screw D (x5) to attach parts 11 and 8 to legs 6 and 4. Use Screw E (x2) to attach Bracket G to parts 4 and 6.



**Step 7** Insert the Cam Bolts A (x9) into part 14, and use Screw E (x2) to secure the Drawer Limiter I (x2). Fasten part 14 to the body of the sideboard with Cam Lock B (x9). Use Screw D (x2) to secure part 14 to the Sideboard.

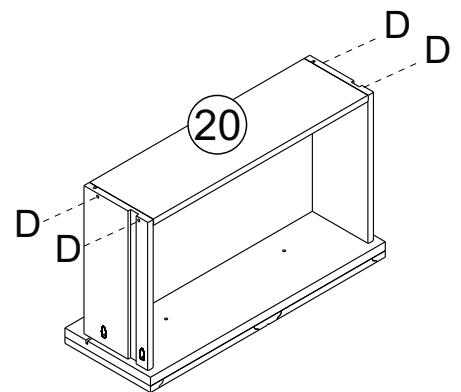
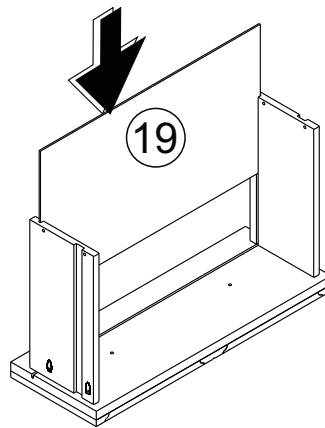
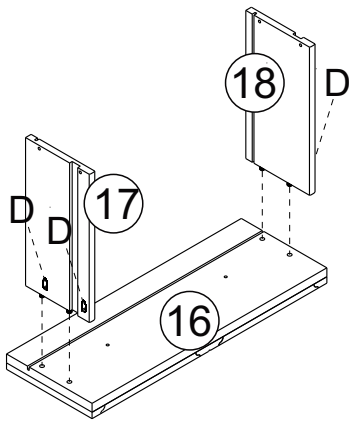
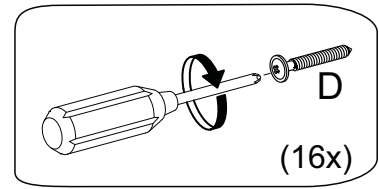


**Step 8** Use Screw D (x6) to attach part 15 to the Sideboard.

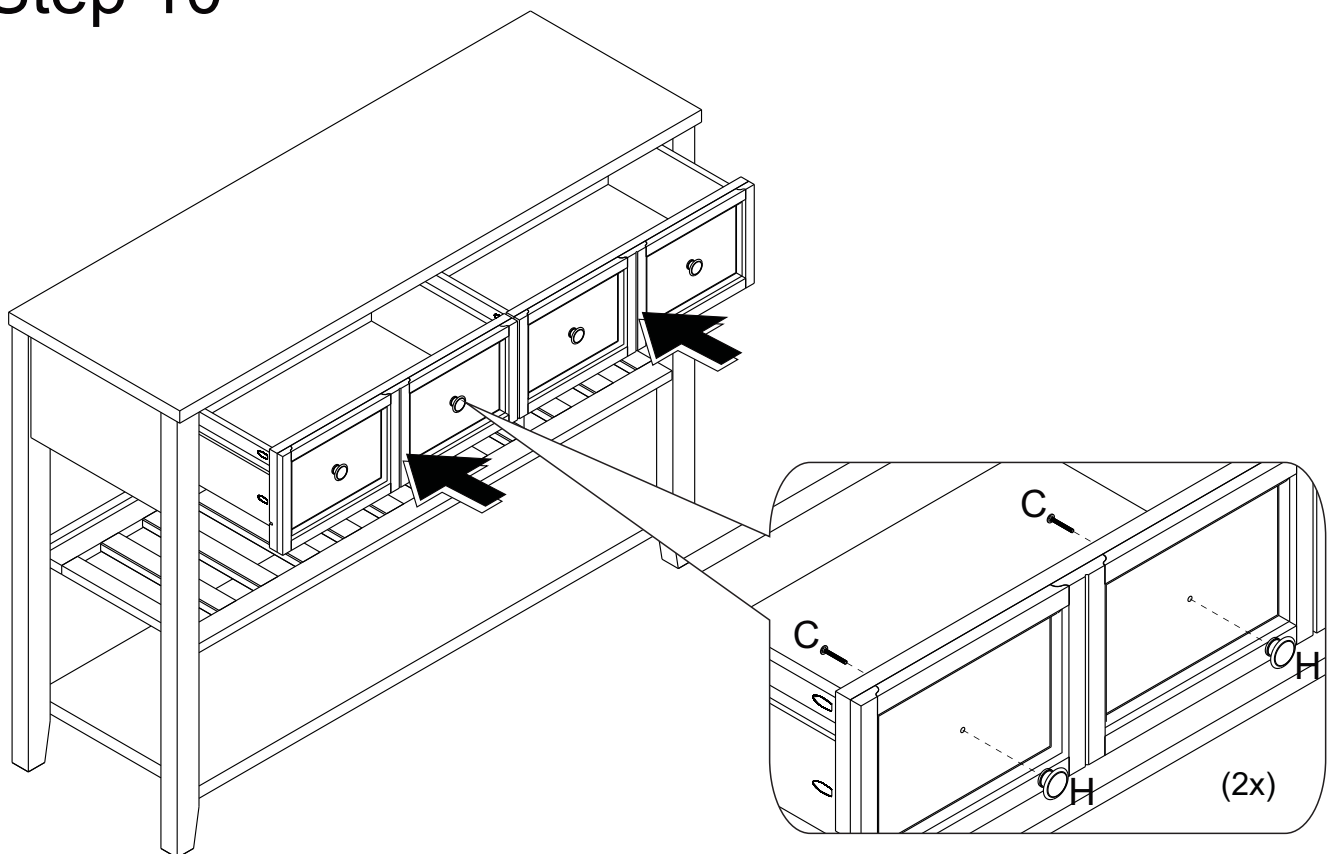


**Step 9** Use Screw D (x16) to build and secure the two drawers.

**2x**



**Step 10** Use Screw C (x4) to attach Knob H (x4) to the drawers.

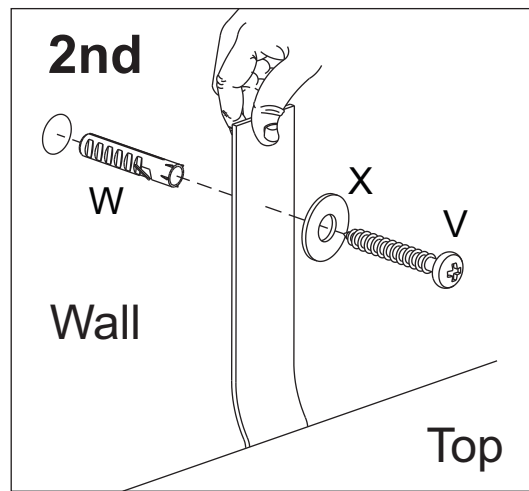
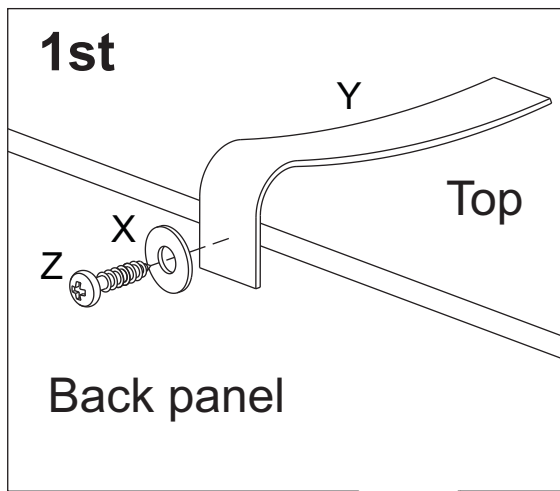


# Step 11




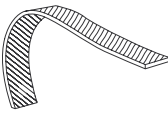

## WARNING

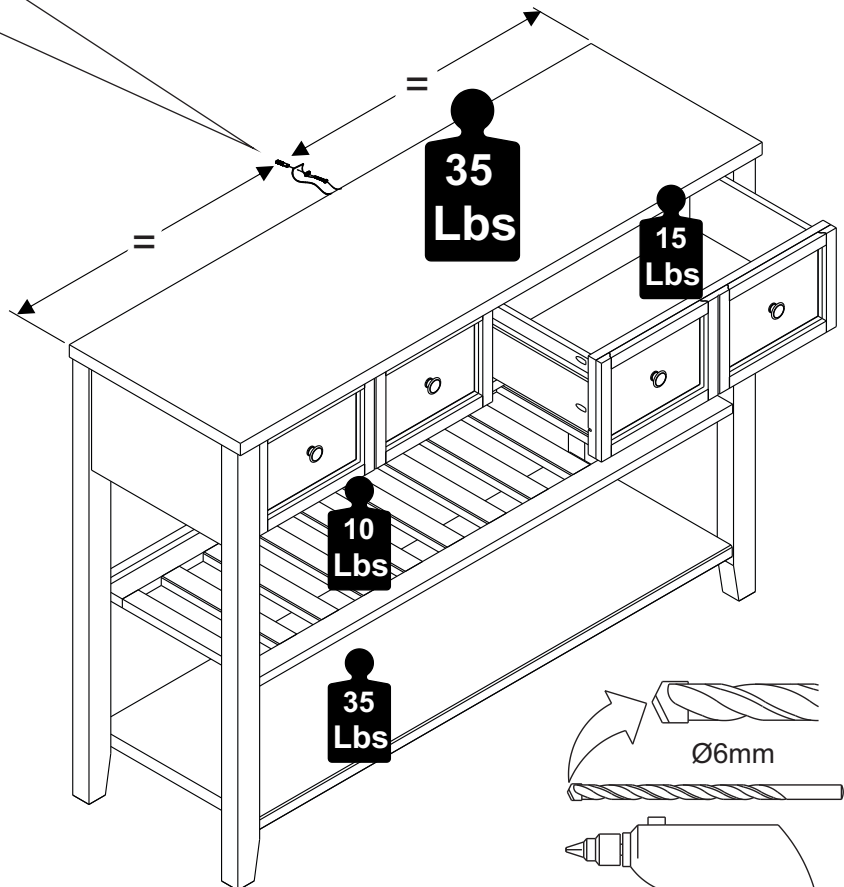
Serious or fatal injuries can occur from furniture tipping over. To prevent the furniture from tipping over we recommend that it is permanently fixed to the wall.

Wall anchor and hardware are included with this product. Please make sure hardware is suitable for your walls before installing, as different wall materials may require different types of anchors.



### Hardware of Wall Anchor

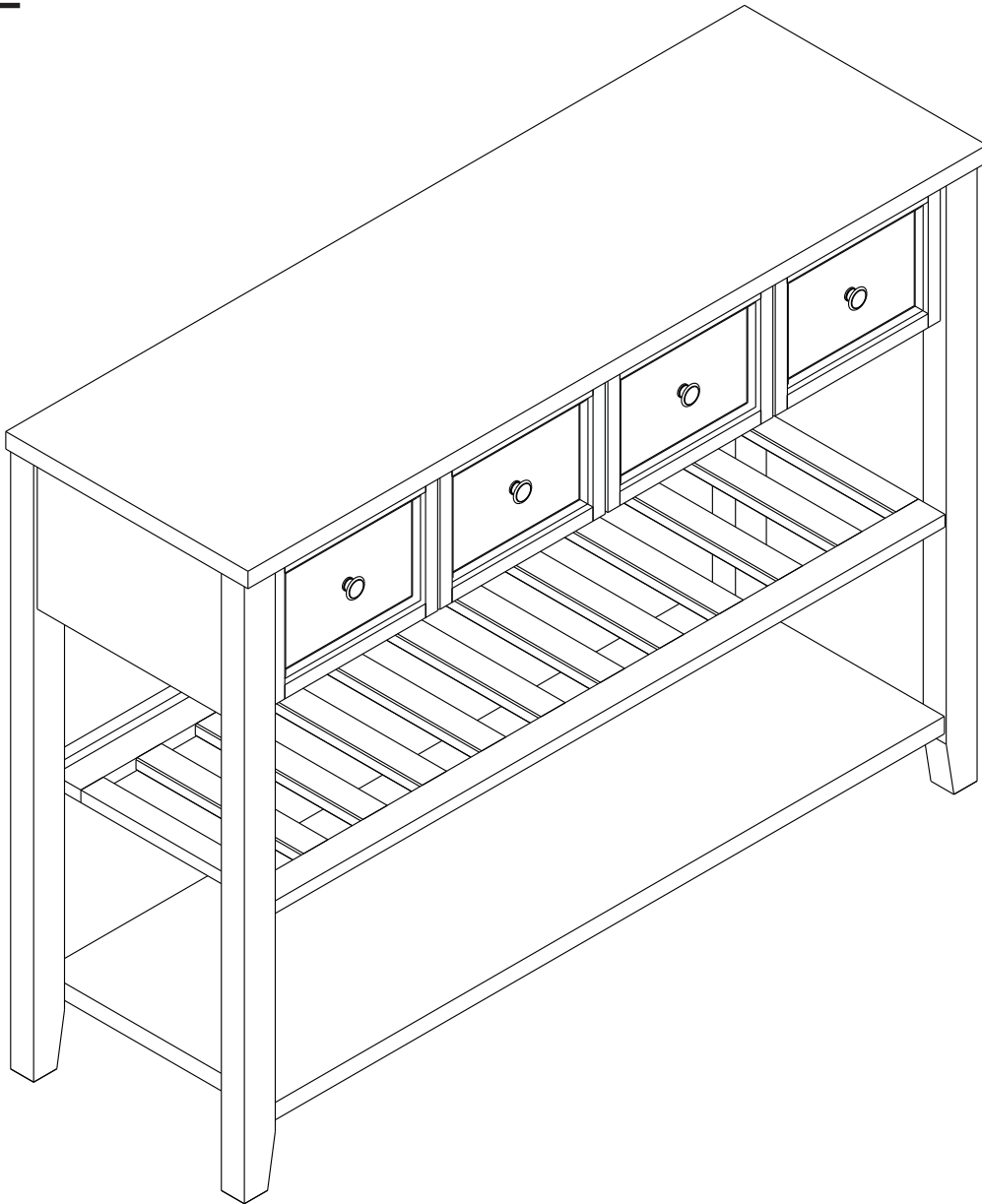
V	 Ø3,5*30mm	01
W	 Ø6mm	01
X		02
Y		01
Z	 Ø3,5*16mm	01



WARNING: CHECK FOR HIDDEN PIPES AND CABLES BEFORE DRILLING.

## Final Assembly

## Step 12



## Assembly Complete!

### Maintenance Guide

To maintain long term performance and easy gliding of your solid wood drawers, we recommend applying wax to the wooden guide rails.

1. Bee's wax is recommended or Paraffin wax from a standard candle can be used.
2. Apply the wax by rubbing it on the wooden guide rails where there is wood-on-wood contact when opening and closing the drawer. (Wax should be room temperature, do not melt the wax onto the wood).
3. Wax should be applied every few months for the first year and then only when needed after that to keep the drawers sliding smoothly.