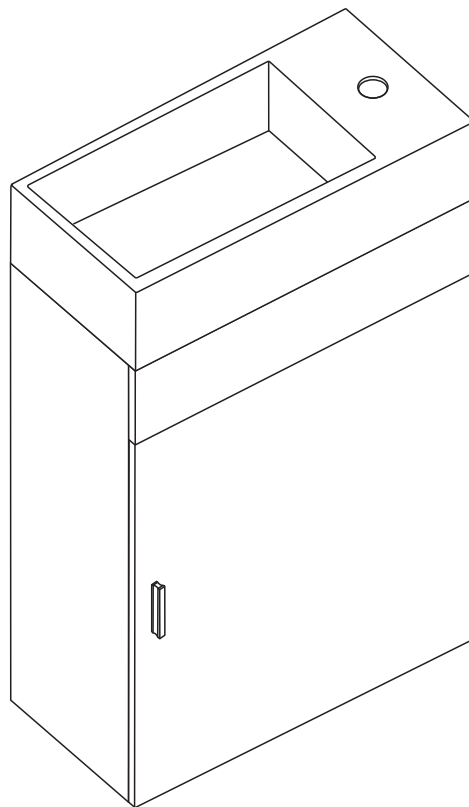


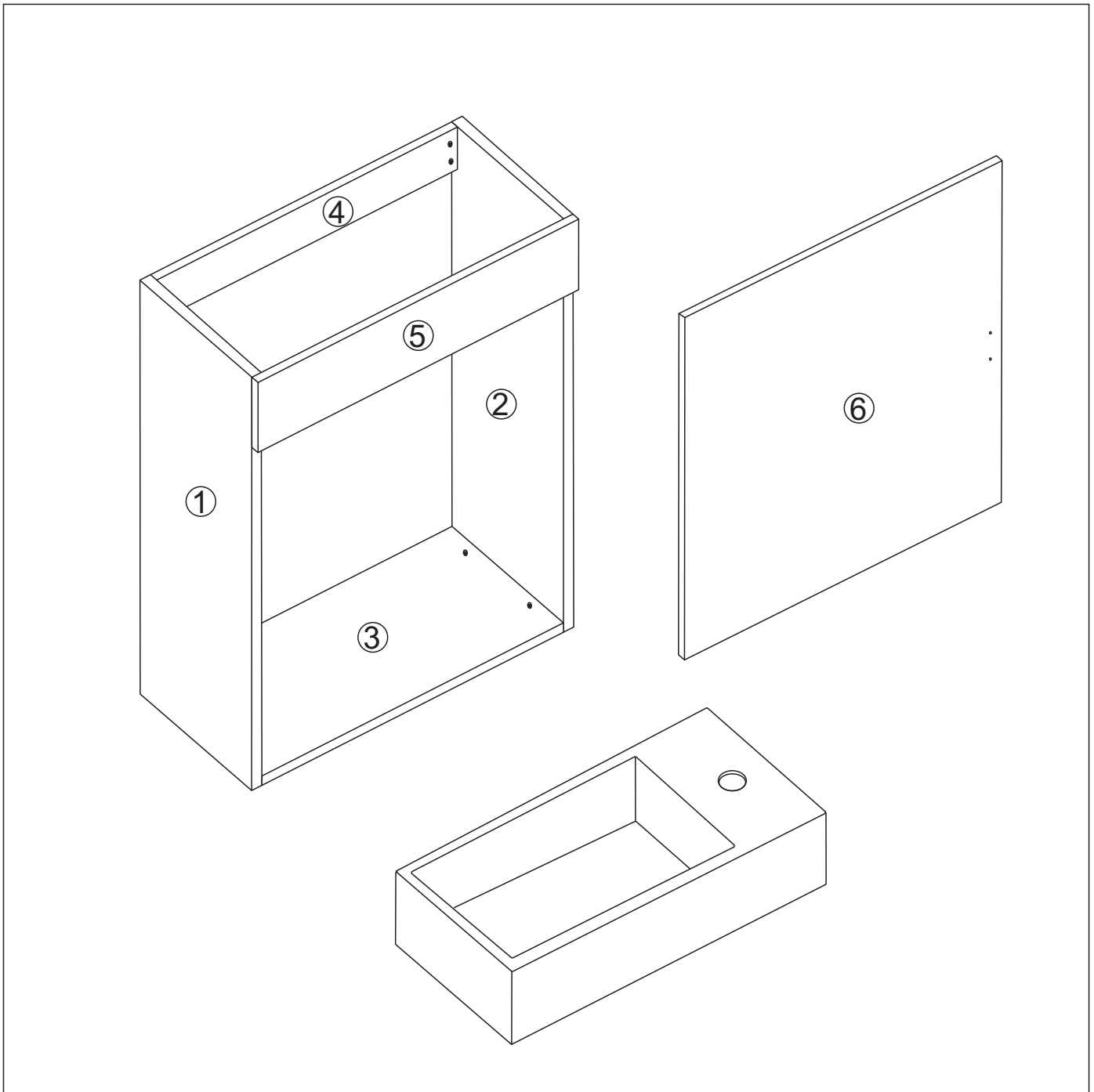
Bathroom cabinet sample



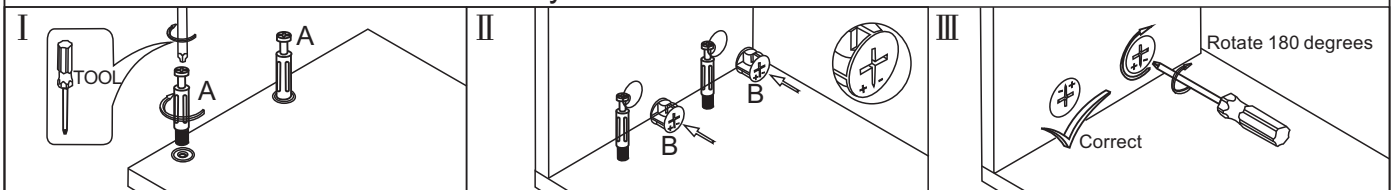
L800*W480*H415MM







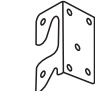


Installation Instructions

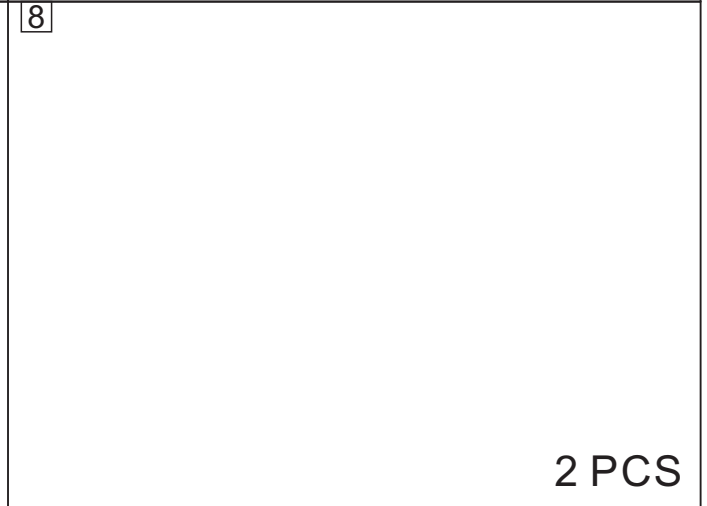
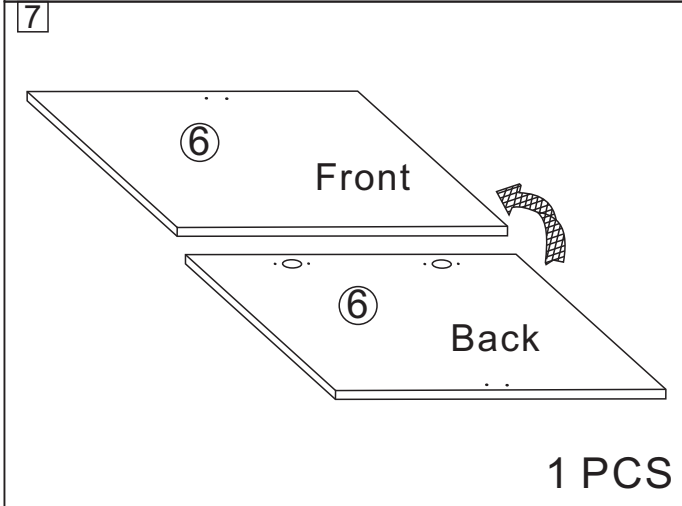
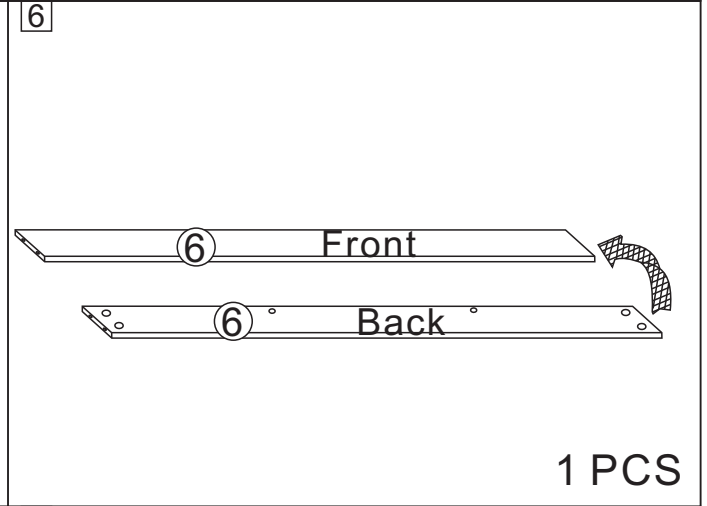
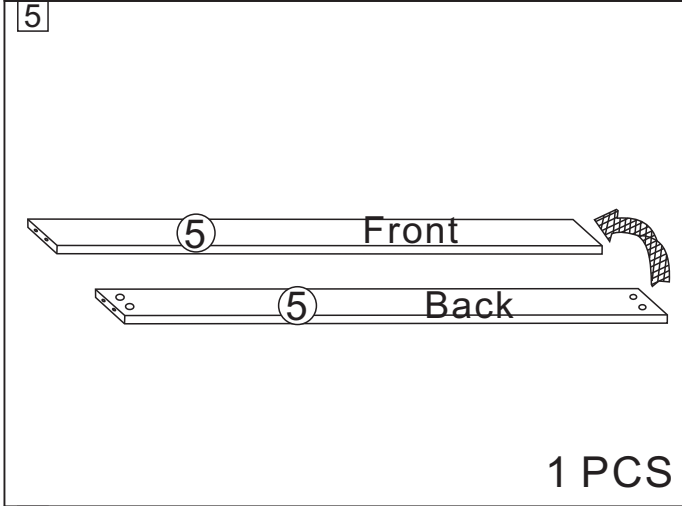
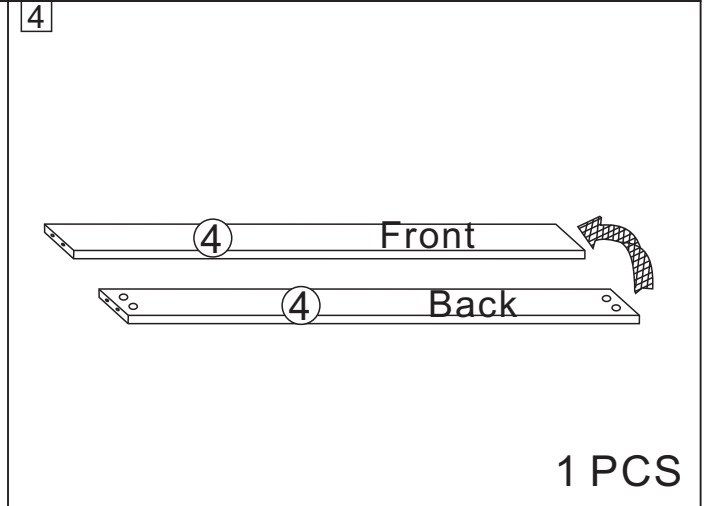
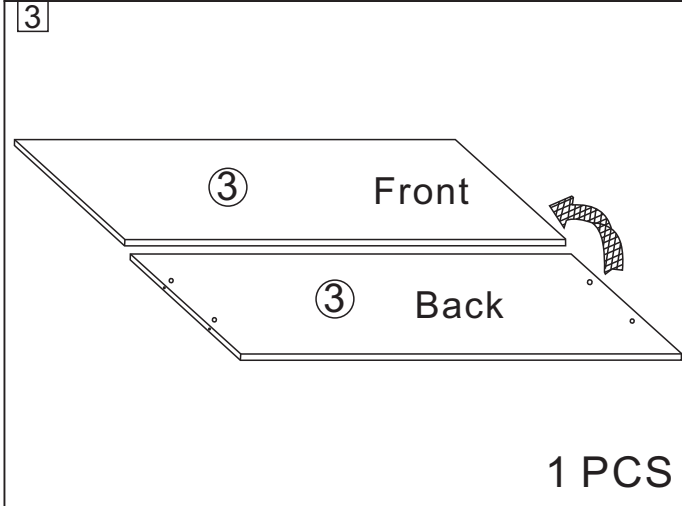
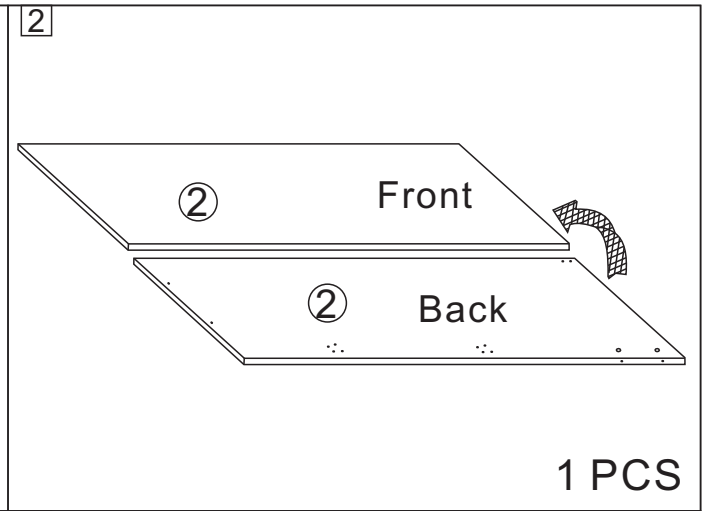
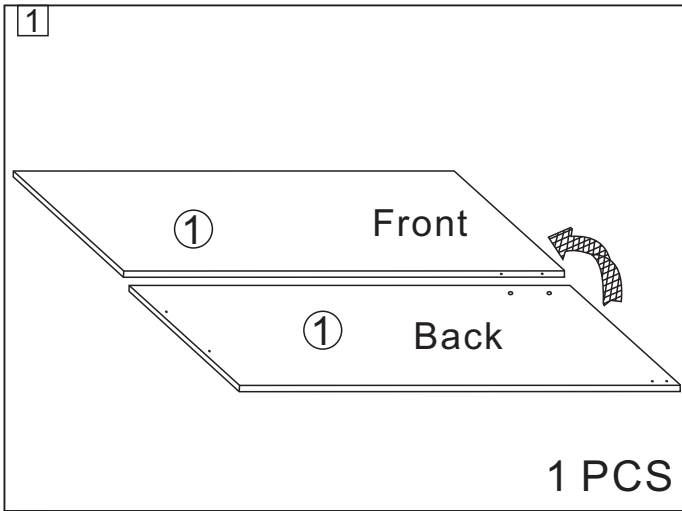
Notes: Don't tighten screws completely at first, just in case parts were assembled wrongly and need disassemble. Tighten screws at last when all parts are put together.



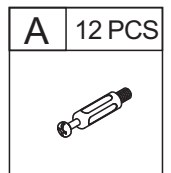
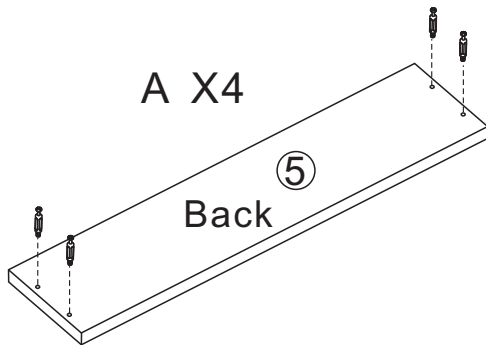
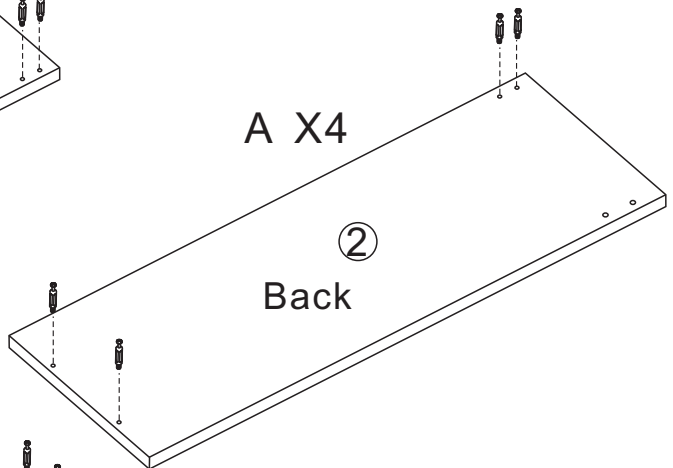
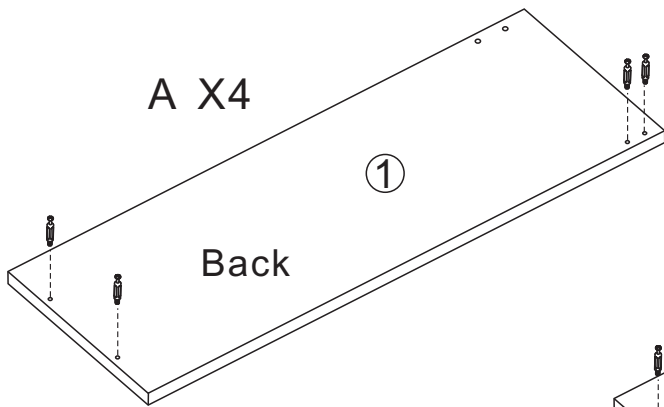
Disassembly and installation of accessories



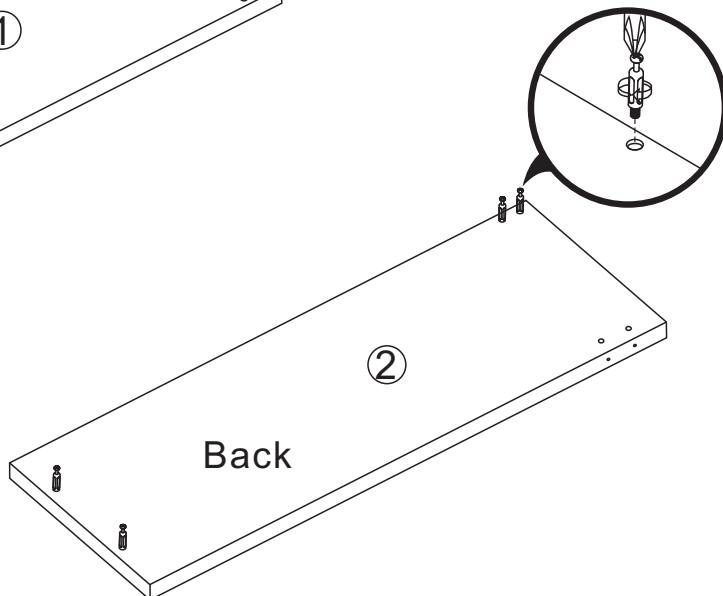
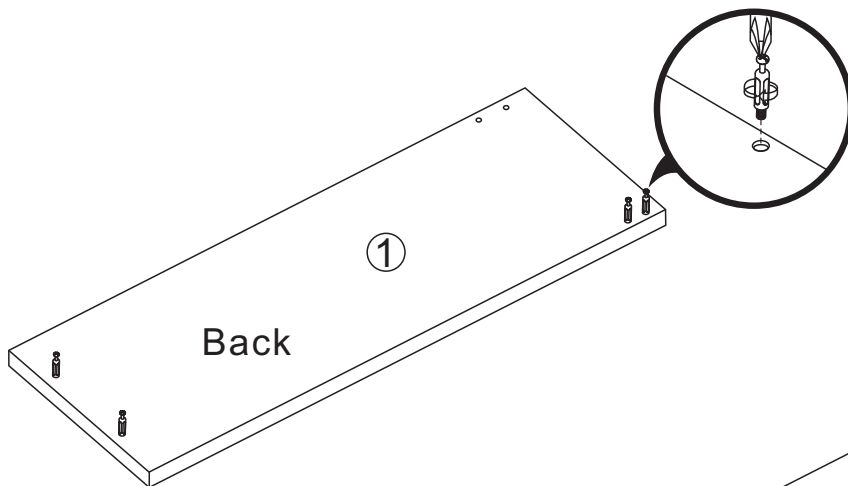
A 12 PCS	B 12PCS	C 38 PCS	D 2 PCS	E 1 PCS	F 4 SETS	G 2 PCS	H 2 PCS
		 3.5*14 mm	 4*18 mm		 Expansion screw		
I 2 PCS							
							



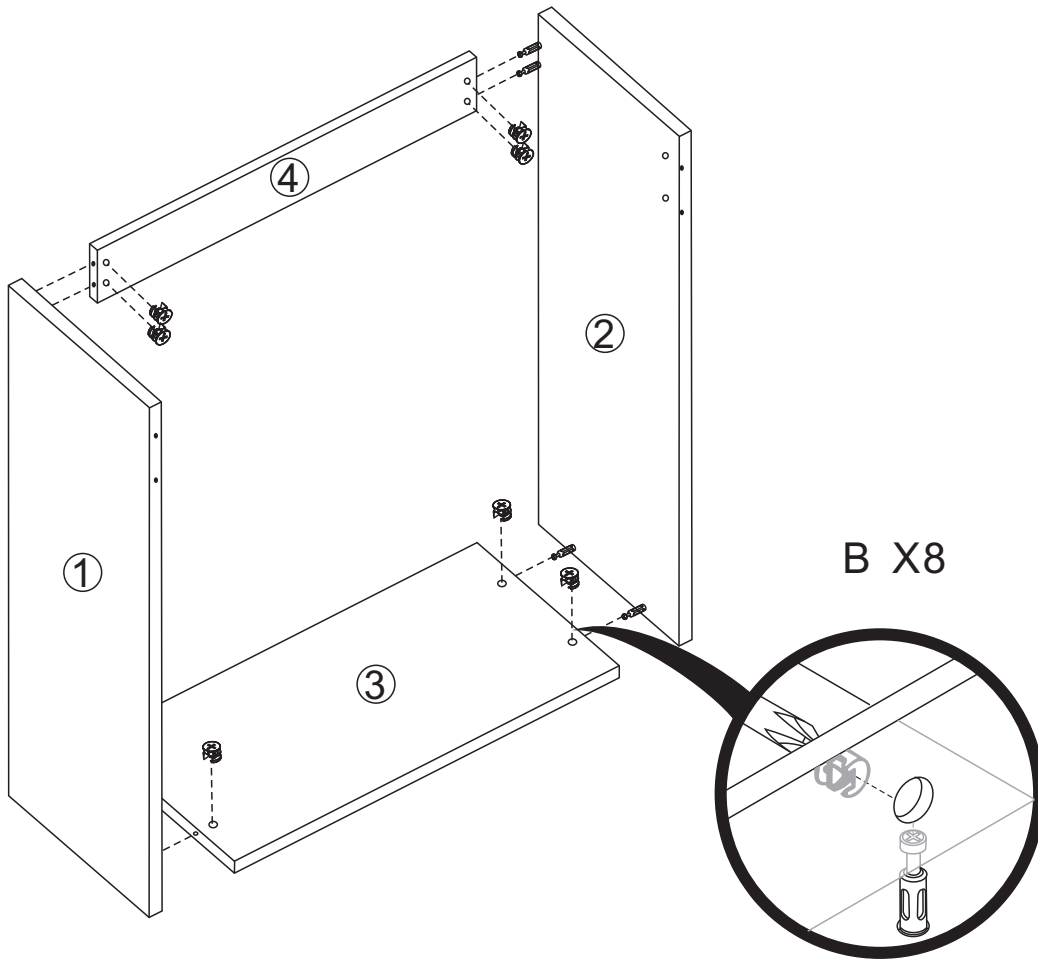
1



2

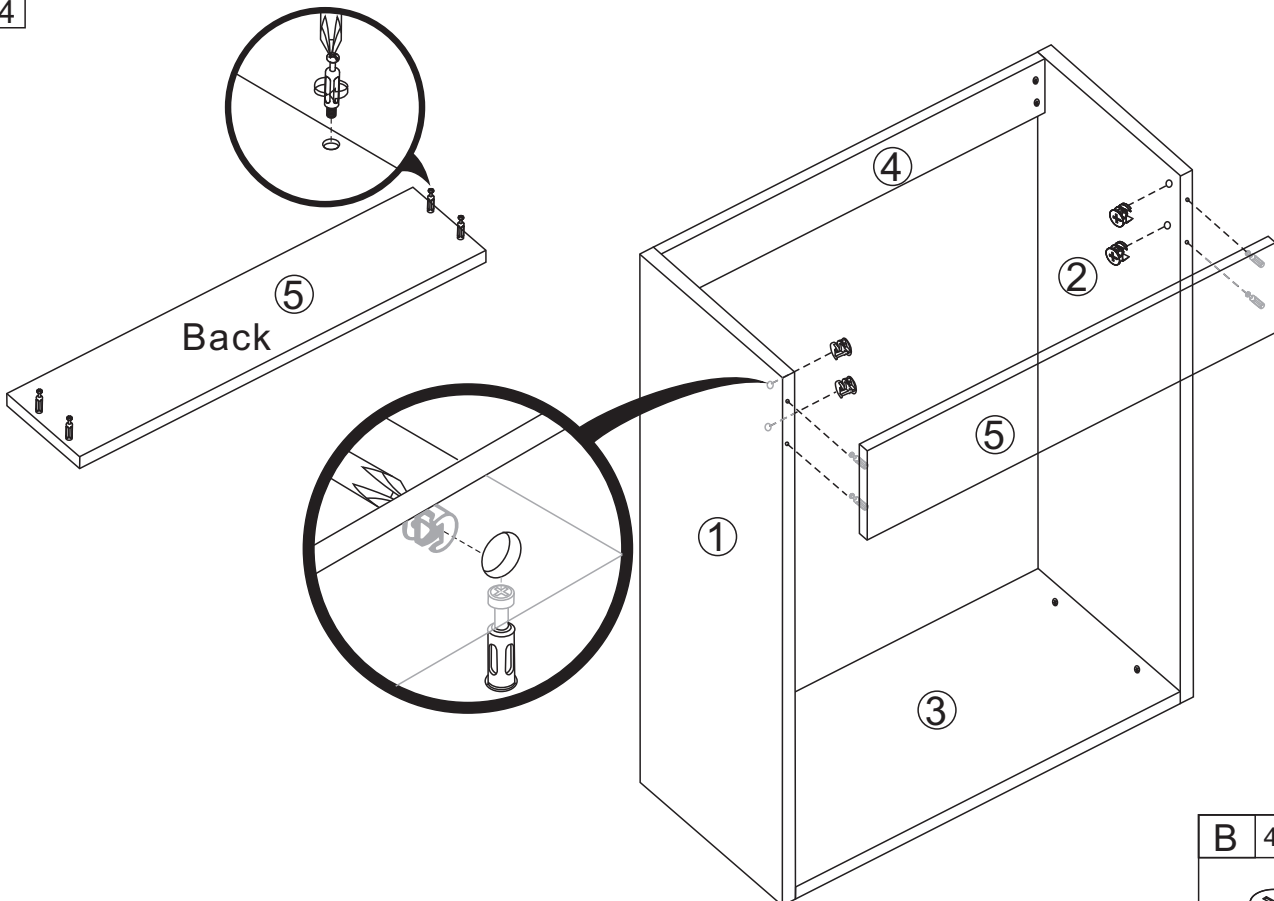


3



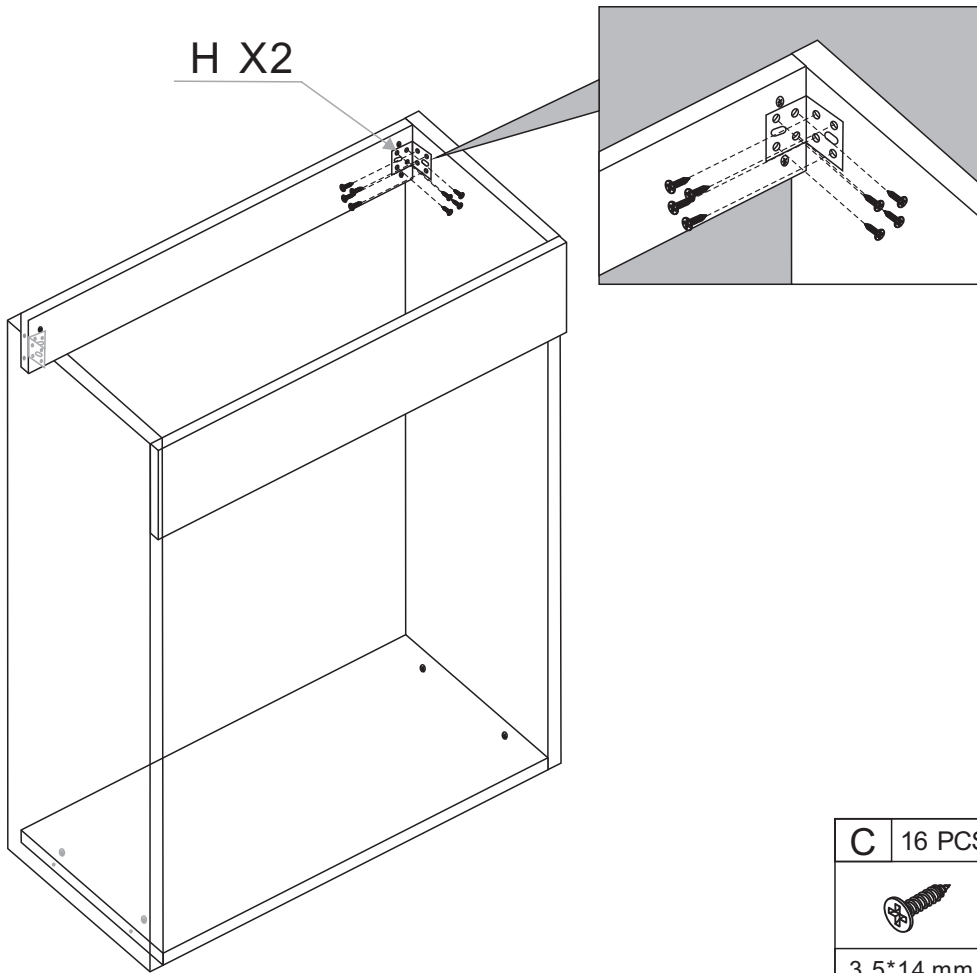
B	8 PCS


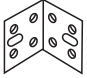
4



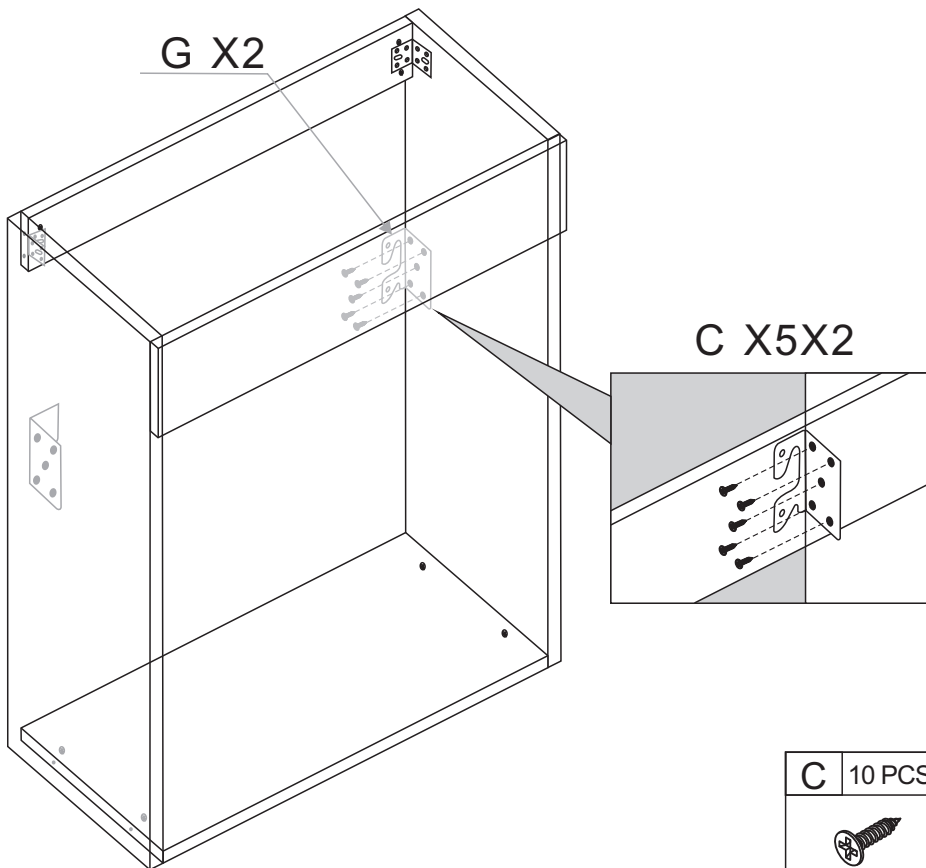
B	4 PCS


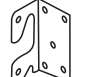
5

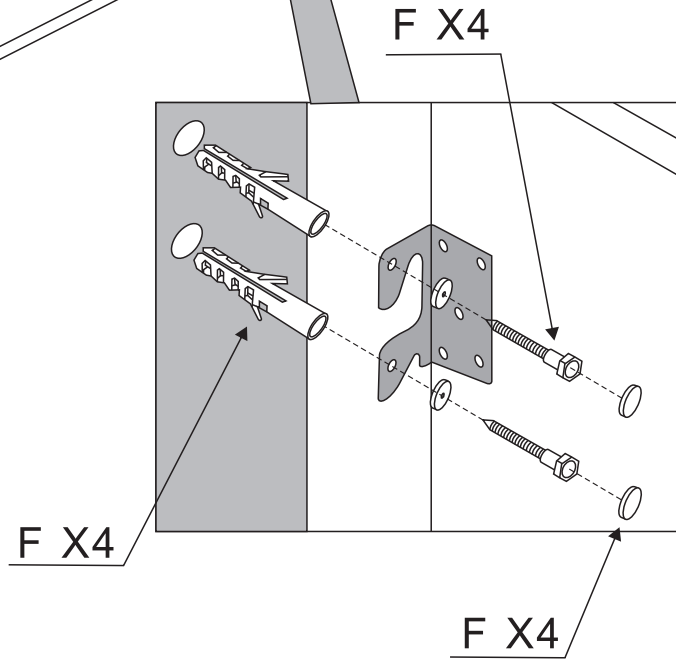
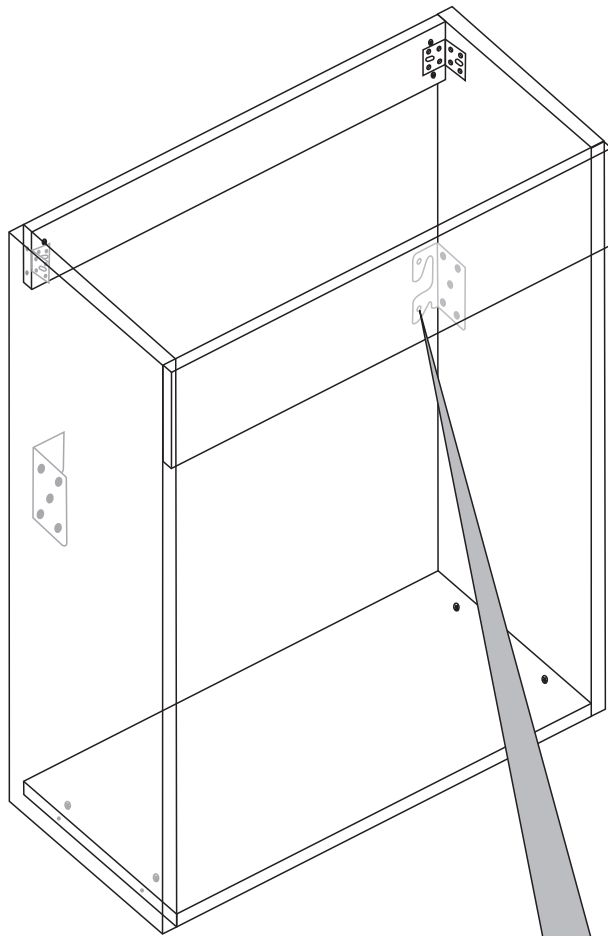
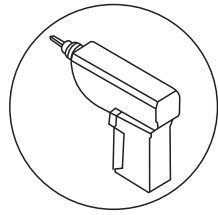


C	16 PCS	H	2 PCS
			
3.5*14 mm			

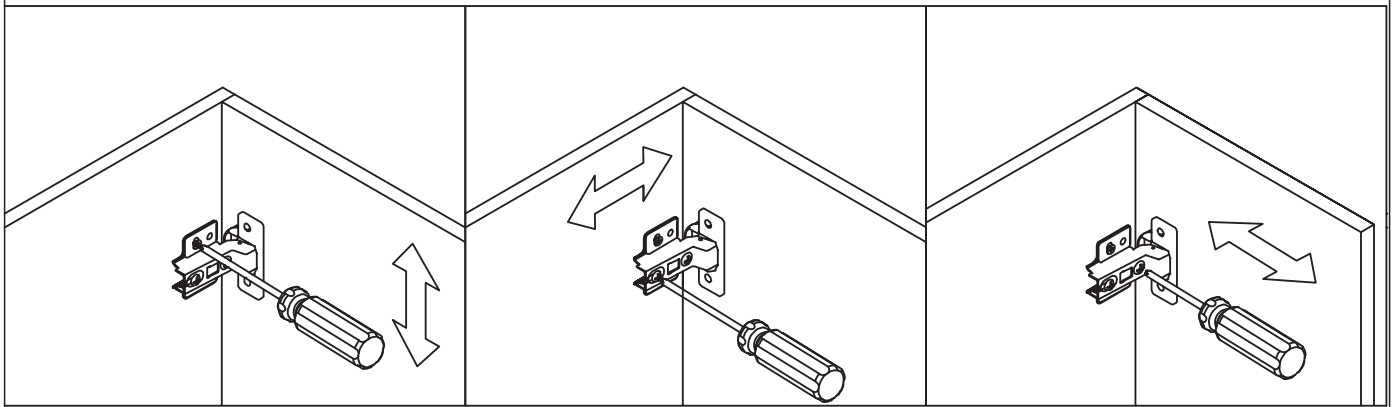
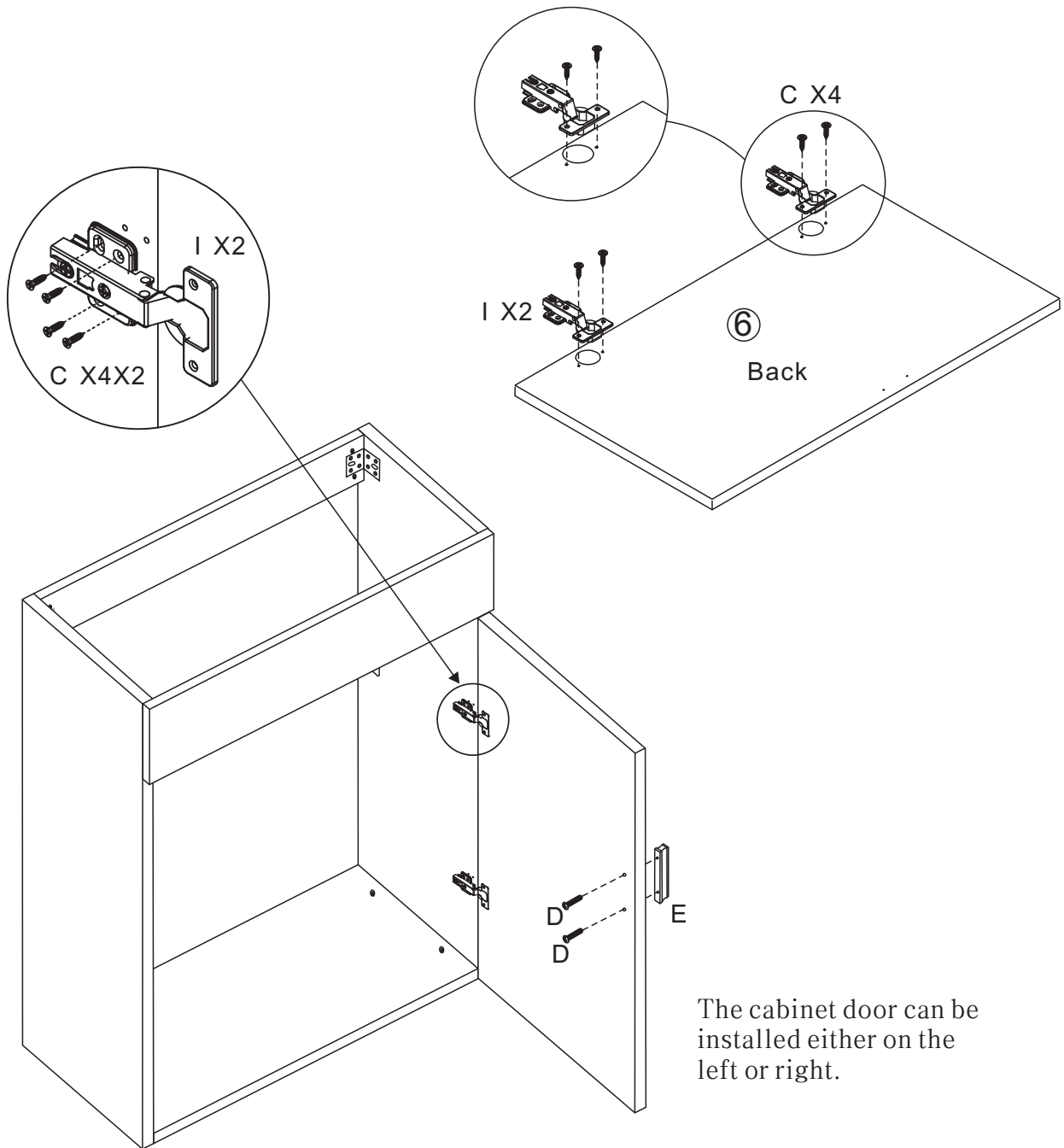
6







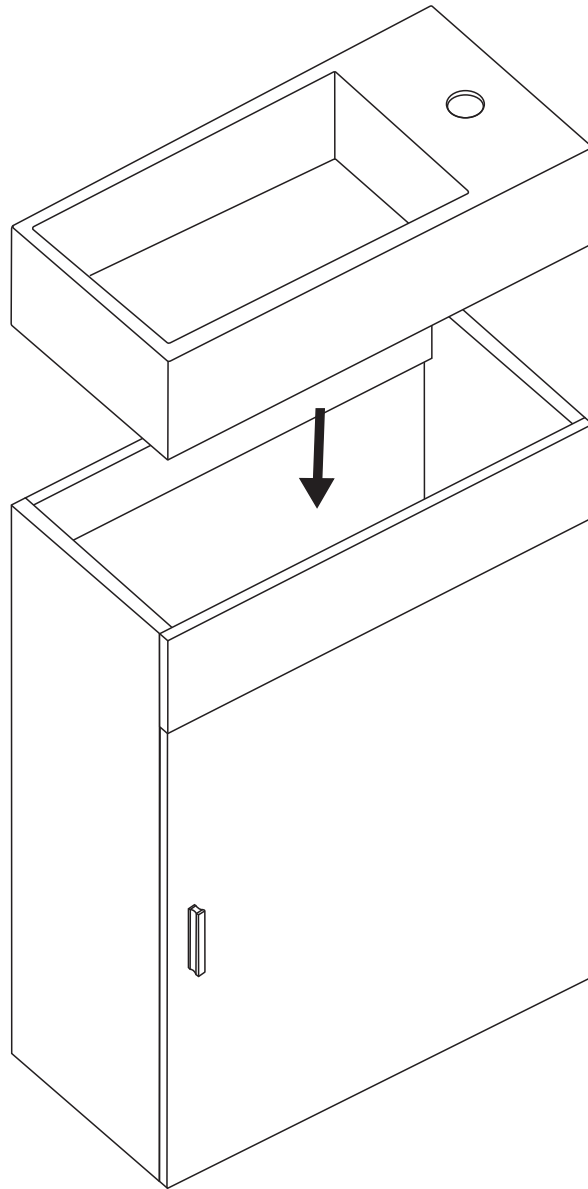
C	10 PCS	G	2 PCS
			
3.5*14 mm			



F	4 SETS
Expansion screw	



C	12 PCS	D	2 PCS	E	1 PCS	I	2 PCS
							
3.5*14 mm		4*18 mm					



OK