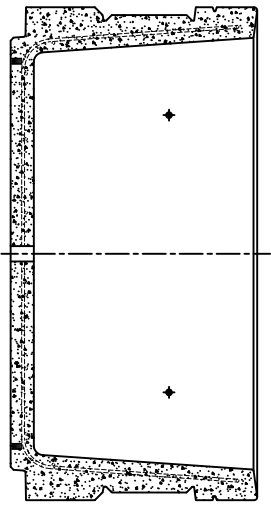


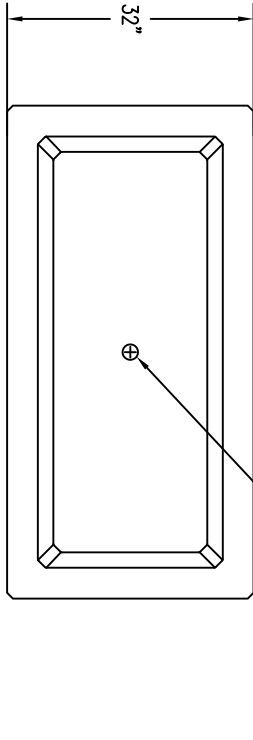
REVISIONS

1	NAME	DATE	NOTES
2			
3			
4			
5			
6			
7			
8			

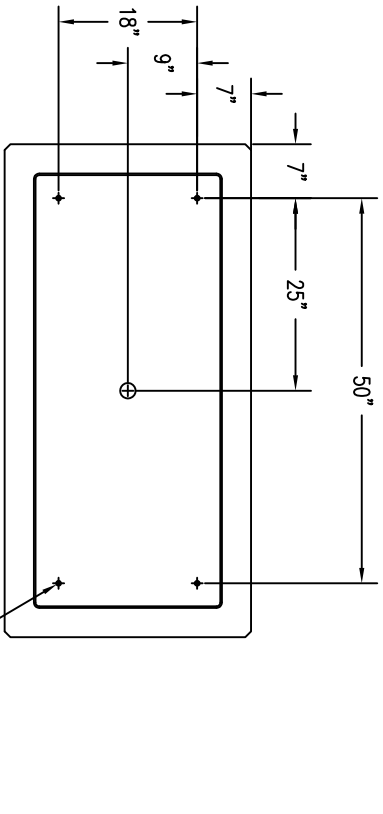
THESE DRAWING, SPECIFICATIONS AND OTHER INFORMATION ARE THE PROPERTY OF WISASAU TILE, INC. THE DRAWINGS HEREIN SHALL BELONG TO THE OWNER AND SHALL BE RETURNED TO WISASAU TILE, INC. WITHOUT DELAY UPON THE COMPLETION OF THE PROJECT. ANY ADDITIONAL USE SHALL REQUIRE THE PRIOR WRITTEN APPROVAL OF WISASAU TILE, INC. THE PROPRIETARY INFORMATION AND TRADE SECRETS OF WISASAU TILE, INC. SHALL REMAIN THE SOLE PROPERTY OF WISASAU TILE, INC.



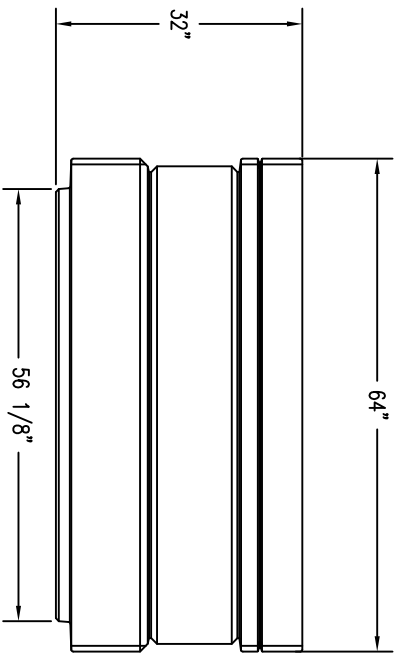
4 CROSS SECTION



1 TOP VIEW



3 BOTTOM VIEW



2 ELEVATION VIEW

JOB NAME _____
 ADDRESS _____
 CITY, STATE ZIP _____

UNLESS OTHERWISE SPECIFIED
 DIMENSIONS ARE IN INCHES
 FINISHES 4 1/8"

DRAWN BY: SK
 DATE: 8/6/15
 CD NUMBER: 7
 WEIGHT: 2.200 LBS

PRODUCT NO.
TF 4167