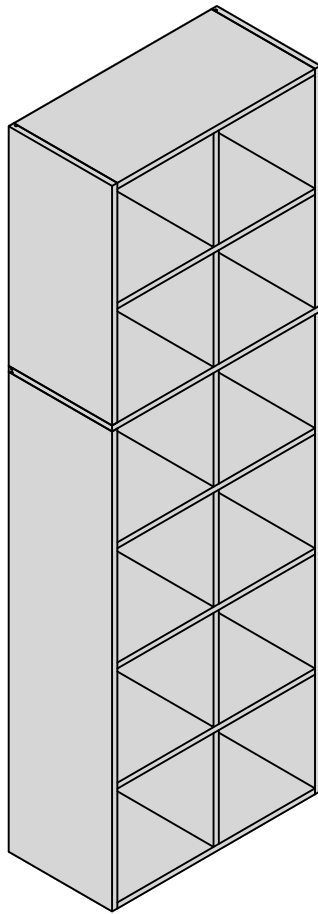
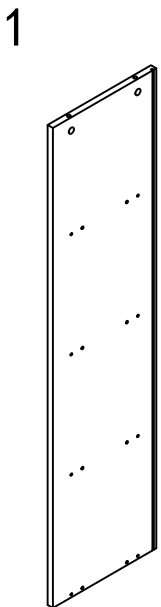


ASSEMBLY INSTRUCTION

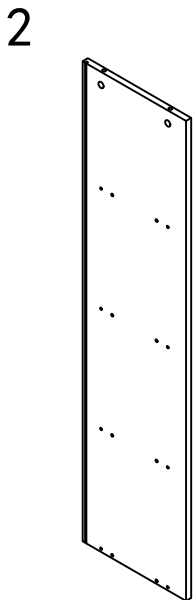
Wine glass rack



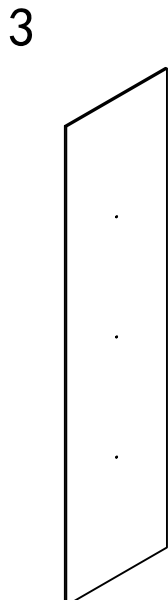
Notes: Don't tighten screws completely at first, just in case parts were assembled wrong and need disassemble. Tighten screws at last when all parts are put together



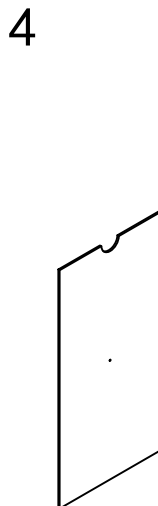
1PCS



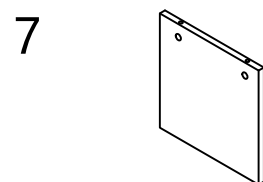
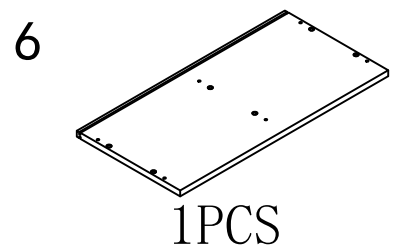
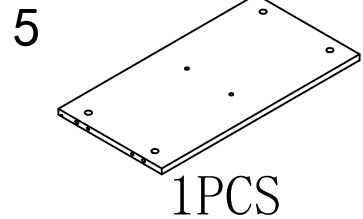
1PCS



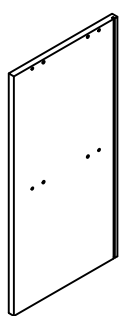
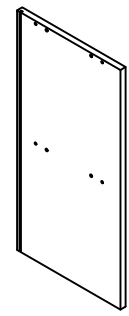
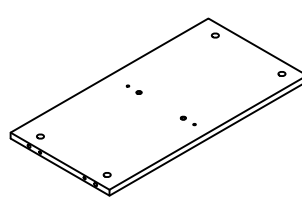
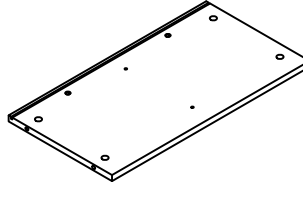
2PCS






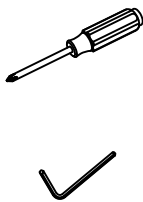



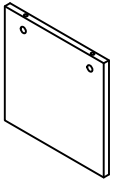
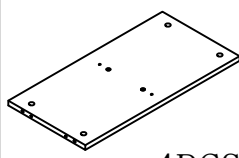
2PCS



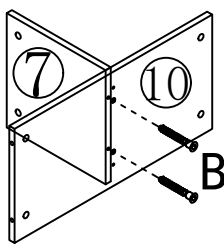
ASSEMBLY INSTRUCTION

8  1PCS	9  1PCS	10  4PCS	11  1PCS
--	--	---	---

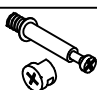
A  40PCS	B  M7X50 16PCS	W  24PCS	P  M3.5X14 8PCS	Z  2SET	
---	---	---	--	---	---

B		8PCS
7		4PCS
10		4PCS

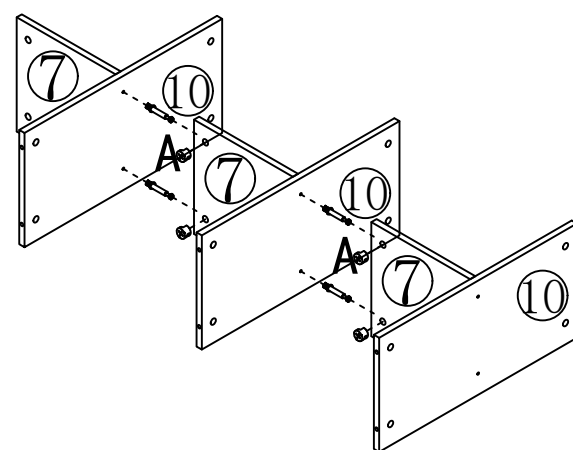
Step1




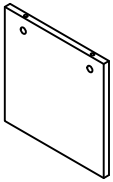
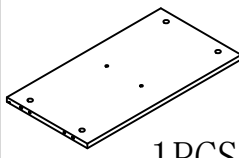
*4

A		4PCS
----------	---	-------------

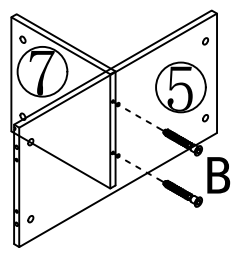
Step2




ASSEMBLY INSTRUCTION

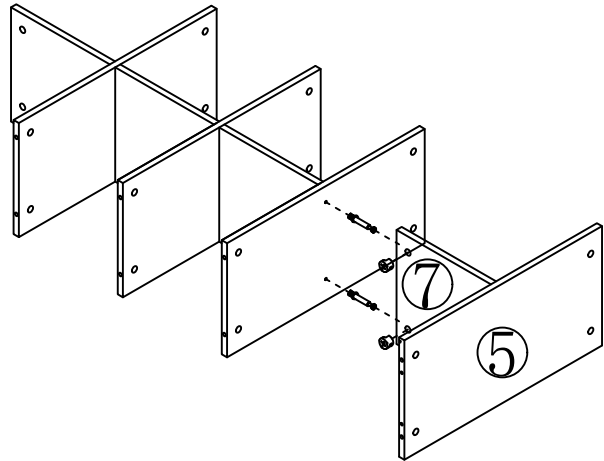
B		2PCS
7		1PCS
5		1PCS


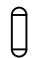


Step3



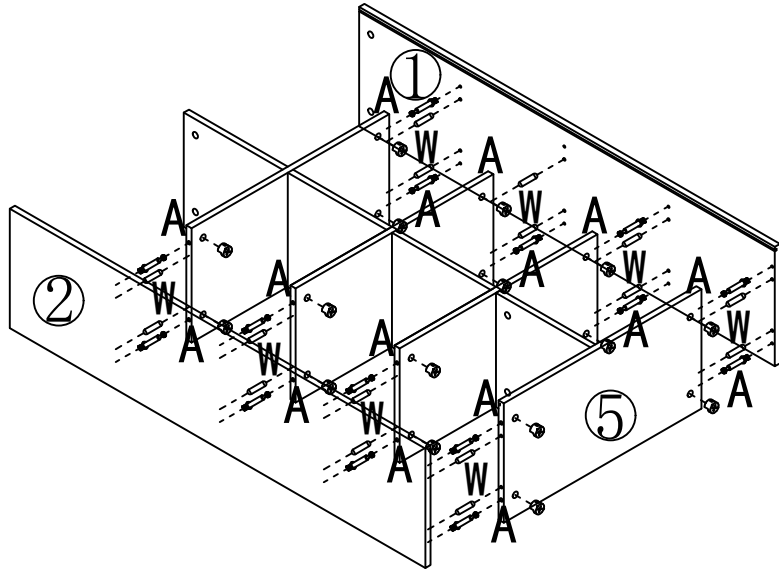
A		2PCS
---	---	------

Step4

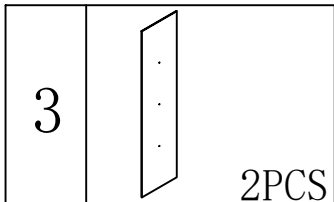


A		16PCS
W		16PCS
1		1PCS
2		1PCS

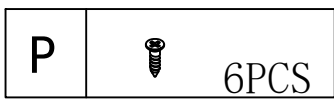
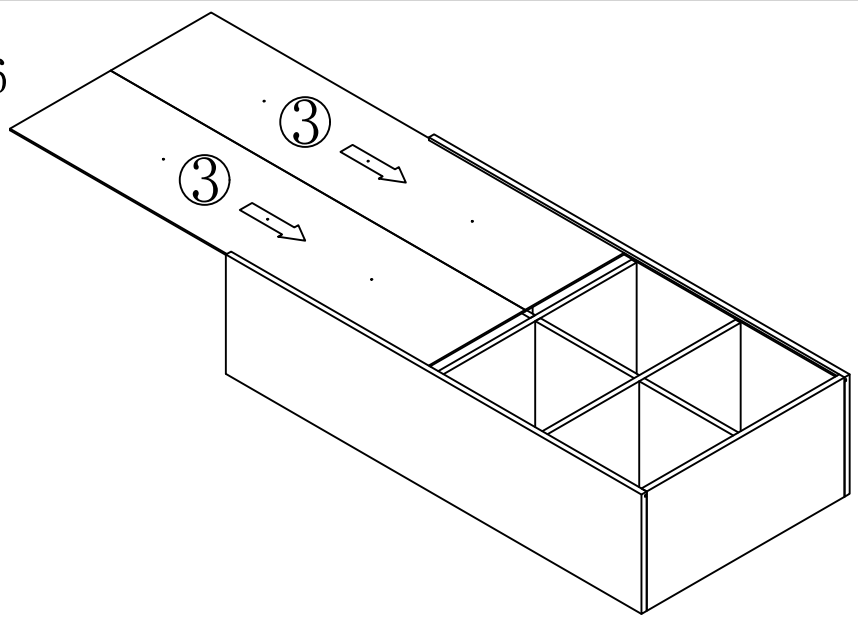
Step5



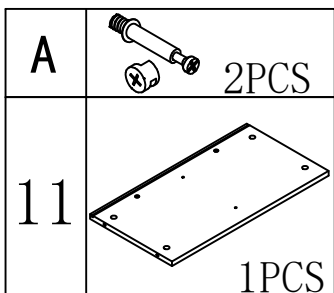
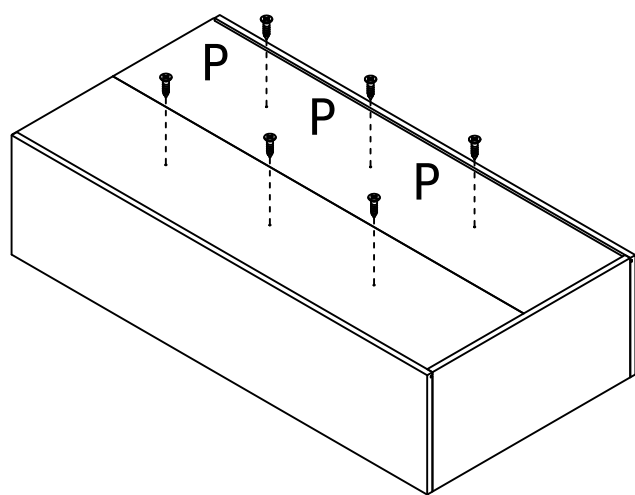
ASSEMBLY INSTRUCTION



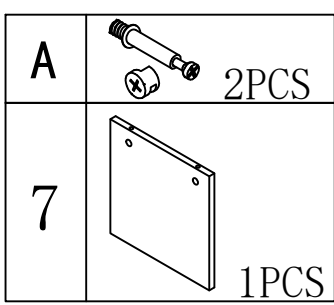
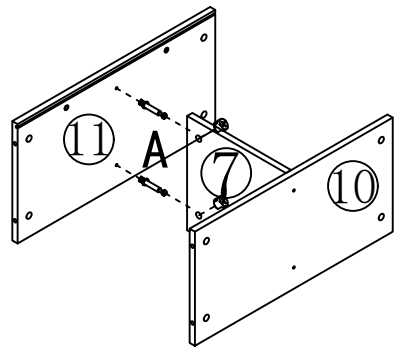
Step6



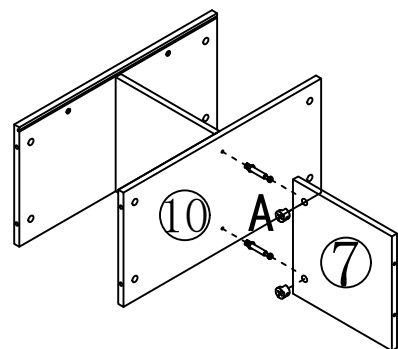
Step7



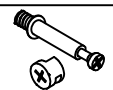


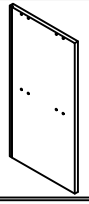
Step8



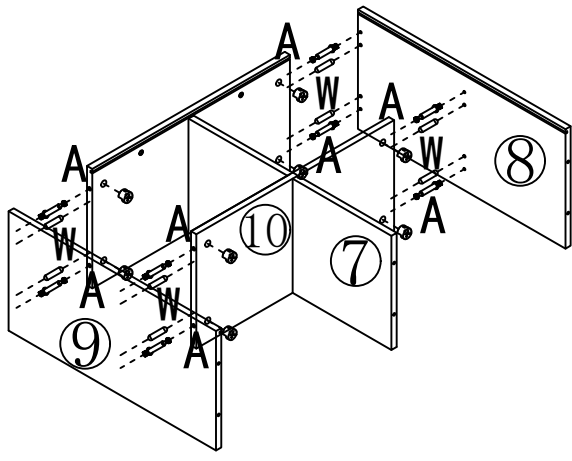
Step9

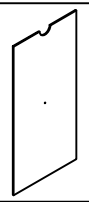


ASSEMBLY INSTRUCTION

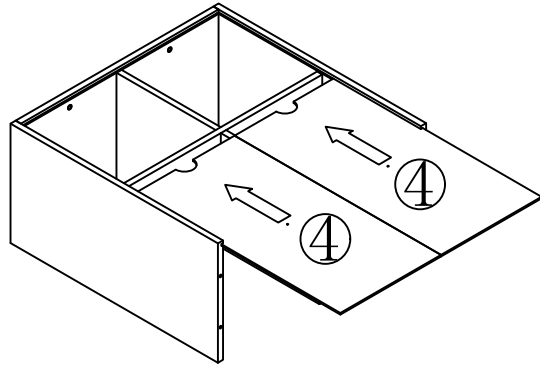
A		8PCS
W		8PCS
8		1PCS
9		1PCS


Step10



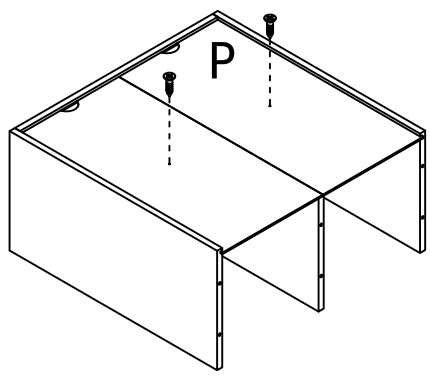
4		2PCS
---	---	------


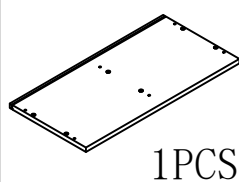
Step11



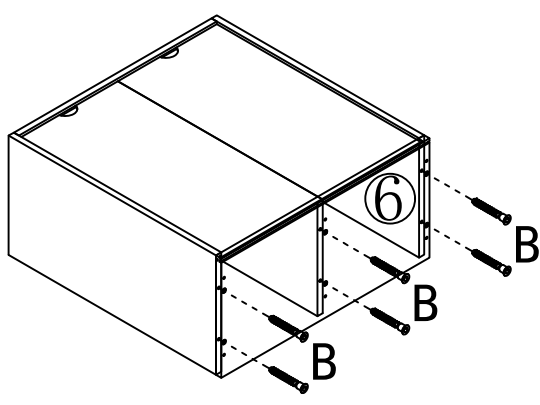
P		2PCS
---	---	------

Step12

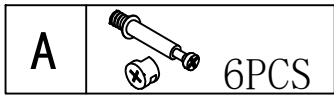


B		6PCS
6		1PCS

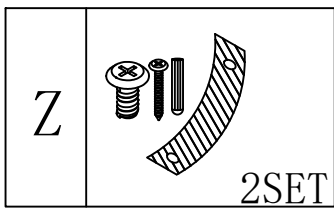
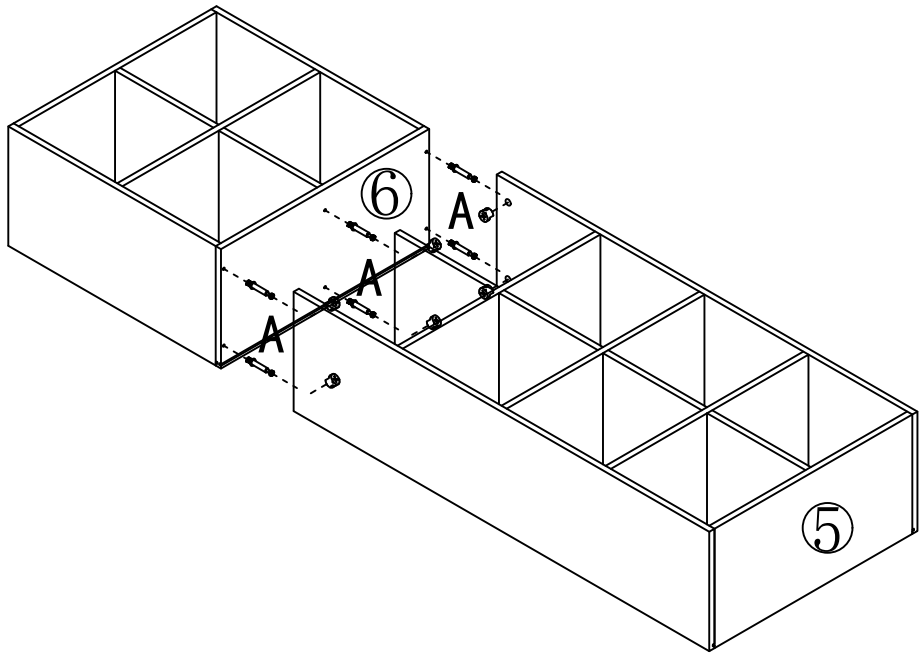
Step13



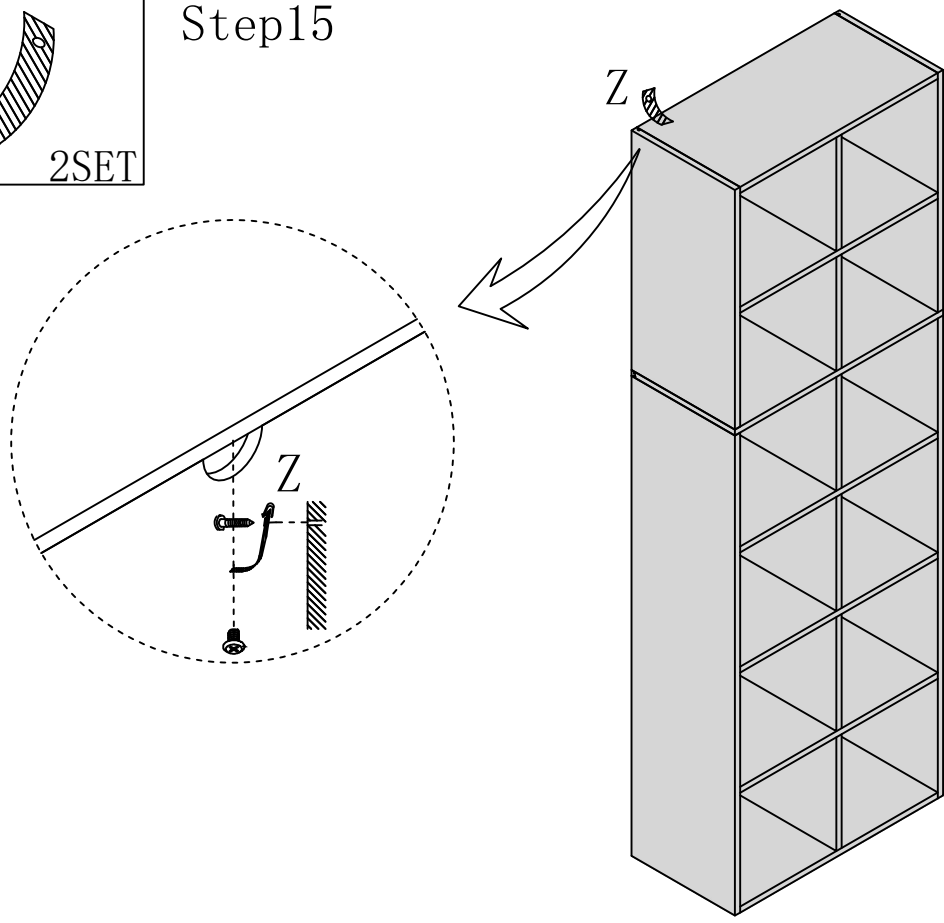
ASSEMBLY INSTRUCTION



Step14



Step15



**We genuinely appreciate your purchase of our product.
Any problem (installation or damage caused by shipping), please feel free to contact us. Our customer service will help to solve the problem for your ASAP.**